



US00D970435S

(12) **United States Design Patent**  
**Guo**

(10) **Patent No.:** **US D970,435 S**

(45) **Date of Patent:** **\*\* Nov. 22, 2022**

(54) **PORTABLE POWER SUPPLY**

OTHER PUBLICATIONS

(71) Applicant: **SHENZHEN JQB INDUSTRIAL CO, LTD.**, Shenzhen (CN)

“Rockpals Portable Power Station”. Found online Aug. 24, 2021 at amazon.com. Reference dated Apr. 27, 2017. Retrieved from <https://www.amazon.com/dp/B07FFNTGZ6?tag=theenergyfixart-20&linkCode=ogi&th=1&pssc=1>. (Year: 2017).\*

(72) Inventor: **Jianwen Guo**, Shenzhen (CN)

“Kyng Portable Power Station”. Found online Aug. 24, 2021 at amazon.com. Reference dated Dec. 1, 2019. Retrieved from <https://www.amazon.com/Kyng-Power-Generator-Emergency-Rechargeable/dp/B07SVL2CP3>. (Year: 2019).\*

(73) Assignee: **SHENZHEN JQB INDUSTRIAL CO., LTD.**, Shenzhen (CN)

“Goal Zero Yeti Portable Power Station”. Found online Aug. 24, 2021 at amazon.com. Reference dated Aug. 7, 2016. Retrieved from [https://www.amazon.com/Goal-Zero-Portable-Generator-Alternative/dp/B00D5RVMAM/ref=sr\\_1\\_9](https://www.amazon.com/Goal-Zero-Portable-Generator-Alternative/dp/B00D5RVMAM/ref=sr_1_9). (Year: 2016).\*

(\*\*) Term: **15 Years**

\* cited by examiner

(21) Appl. No.: **29/826,915**

(22) Filed: **Feb. 16, 2022**

*Primary Examiner* — Kendra Leslie Hamilton

(51) **LOC (13) Cl.** ..... **13-02**

*Assistant Examiner* — Amanda Christensen

(52) **U.S. Cl.**

USPC ..... **D13/107**

(74) *Attorney, Agent, or Firm* — Georgi Korobanov

(58) **Field of Classification Search**

USPC ..... D13/103, 104, 106, 107, 108, 109, 110,  
D13/112, 116, 118, 119; D14/432, 433,  
D14/434

CPC ..... H02J 7/0027; H02J 15/00; F02N 11/12

See application file for complete search history.

(57) **CLAIM**

The ornamental design for a portable power supply, as shown and described.

(56) **References Cited**

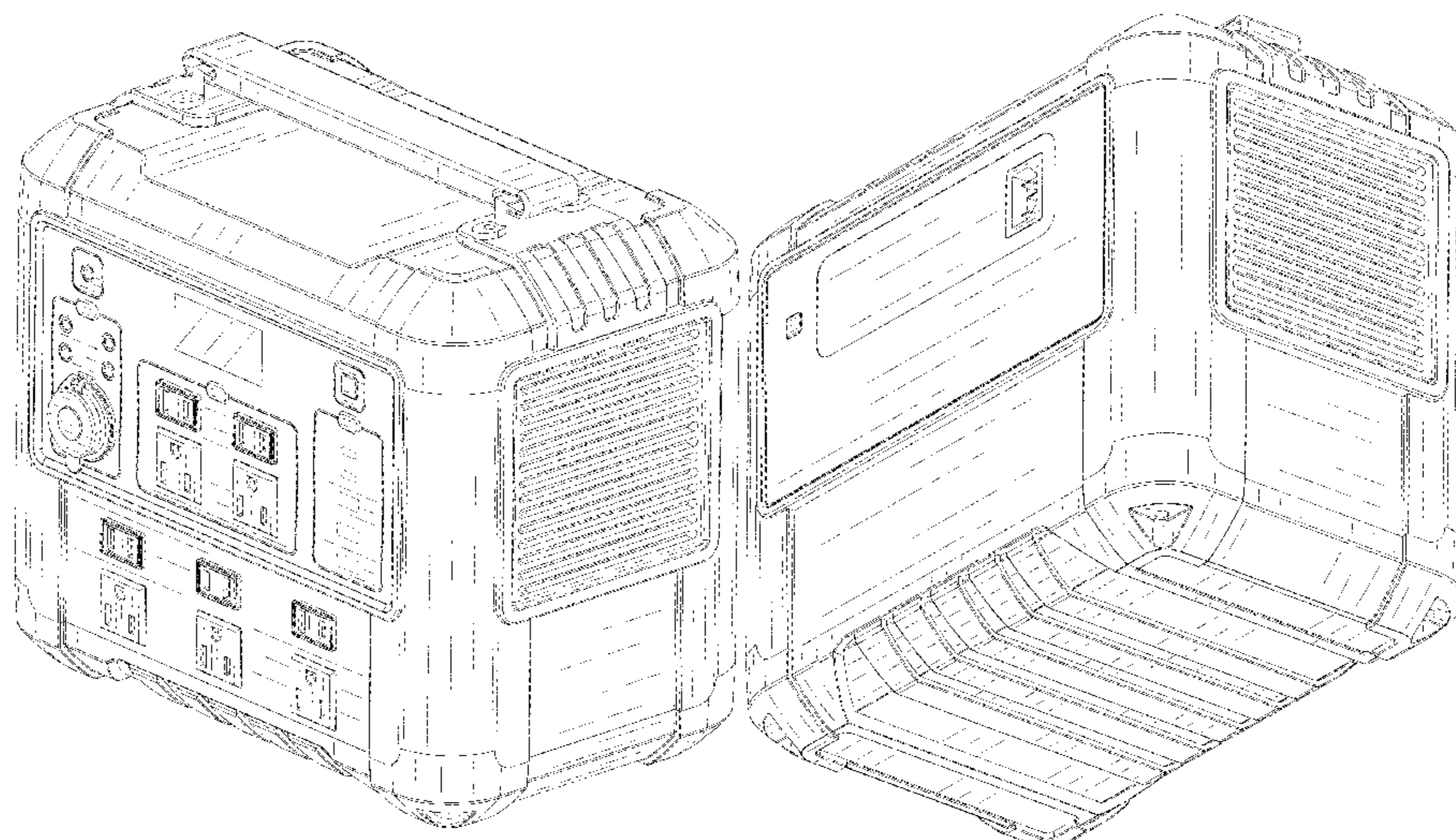
U.S. PATENT DOCUMENTS

D695,680	S	*	12/2013	Workman	.....	D13/106
D842,240	S	*	3/2019	Lai	.....	D13/107
D868,686	S	*	12/2019	Zhong	.....	D13/106
D890,089	S	*	7/2020	Yin	.....	D13/107
D897,283	S		9/2020	Sun et al.		
D916,655	S	*	4/2021	Fang	.....	D13/108
D932,432	S		10/2021	Peng et al.		
D936,007	S	*	11/2021	Huang	.....	D13/110
D938,354	S		12/2021	Sun et al.		
D948,435	S	*	4/2022	Chen	.....	D13/110
D950,490	S	*	5/2022	Yu	.....	D13/110
D953,256	S	*	5/2022	Lou	.....	D13/107
D959,365	S	*	8/2022	Sun	.....	D13/107
2011/0197882	A1	*	8/2011	Truschel	..... A61M 16/0057 429/99	
2016/0129524	A1	*	5/2016	Evans	..... B23K 37/0294 219/136	
2016/0285295	A1	*	9/2016	Marinov	..... H01M 10/4257	

**DESCRIPTION**

FIG. 1 is a perspective view of a portable power supply, showing my new design;  
FIG. 2 is another perspective view thereof;  
FIG. 3 is a front view thereof;  
FIG. 4 is a rear view thereof;  
FIG. 5 is a left side view thereof;  
FIG. 6 is a right side view thereof;  
FIG. 7 is a top plan view thereof; and,  
FIG. 8 is a bottom plan view thereof.  
The broken lines depict portions of the portable power supply that form no part of the claimed design.

**1 Claim, 8 Drawing Sheets**



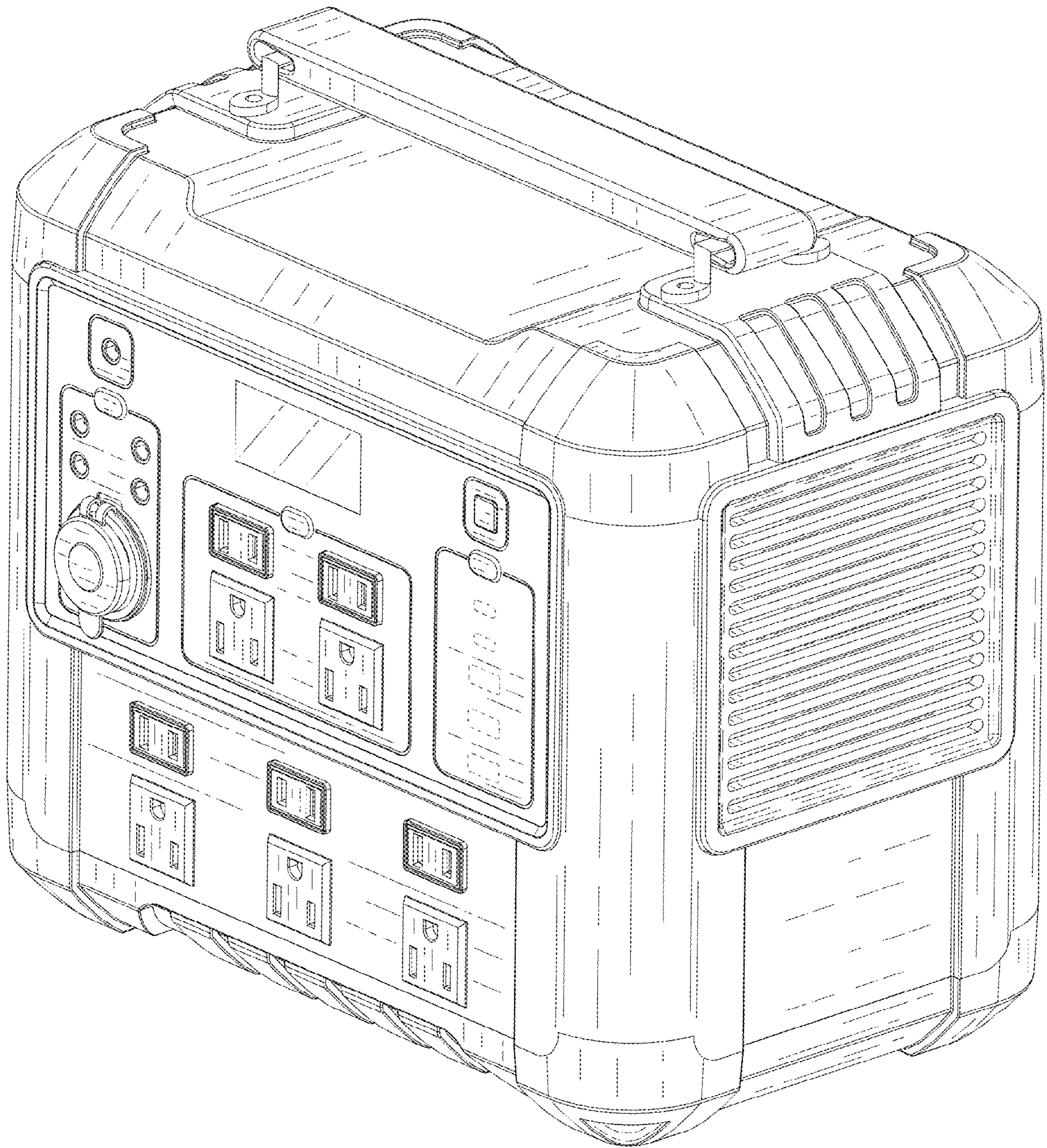


FIG. 1

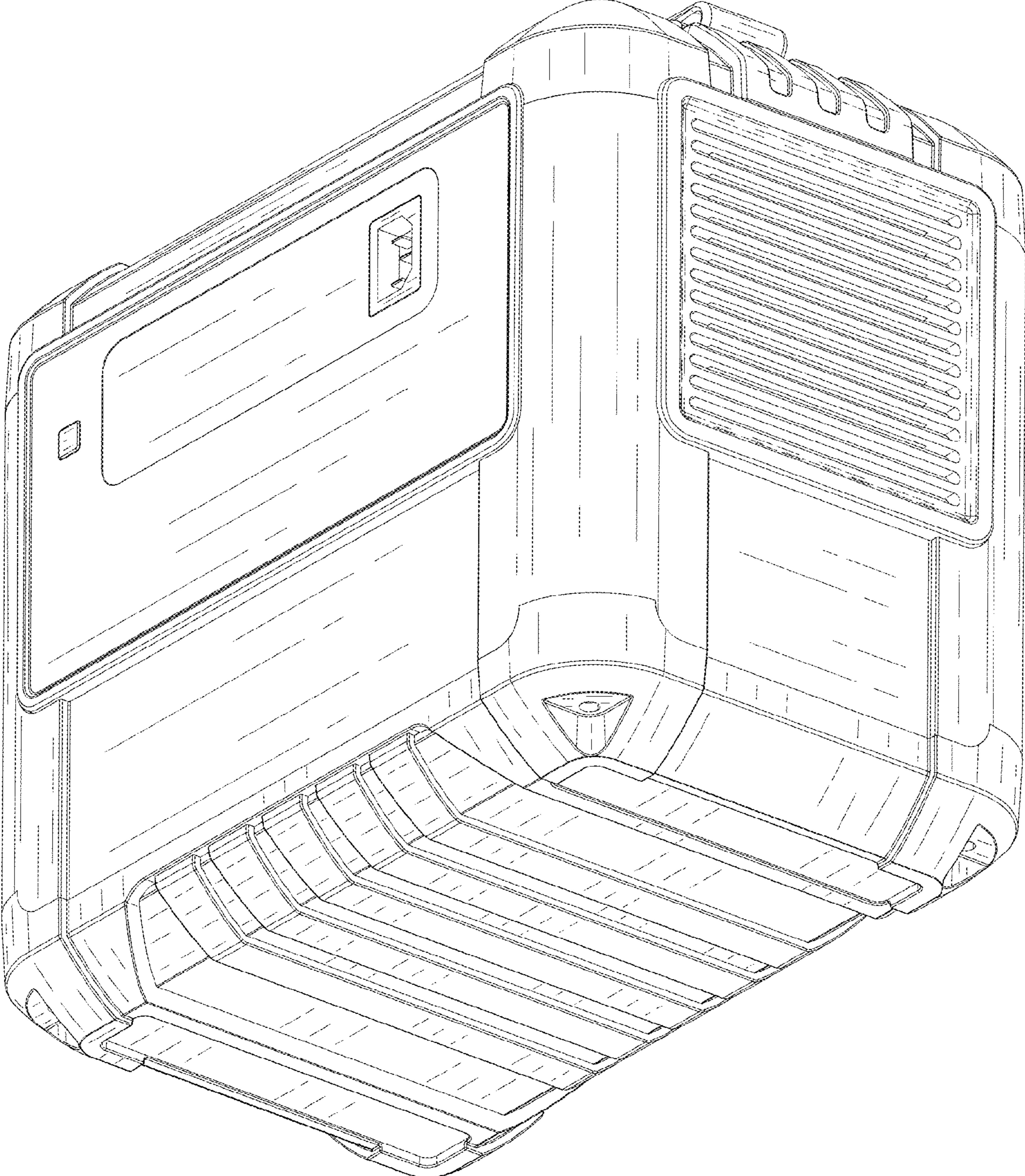


FIG. 2

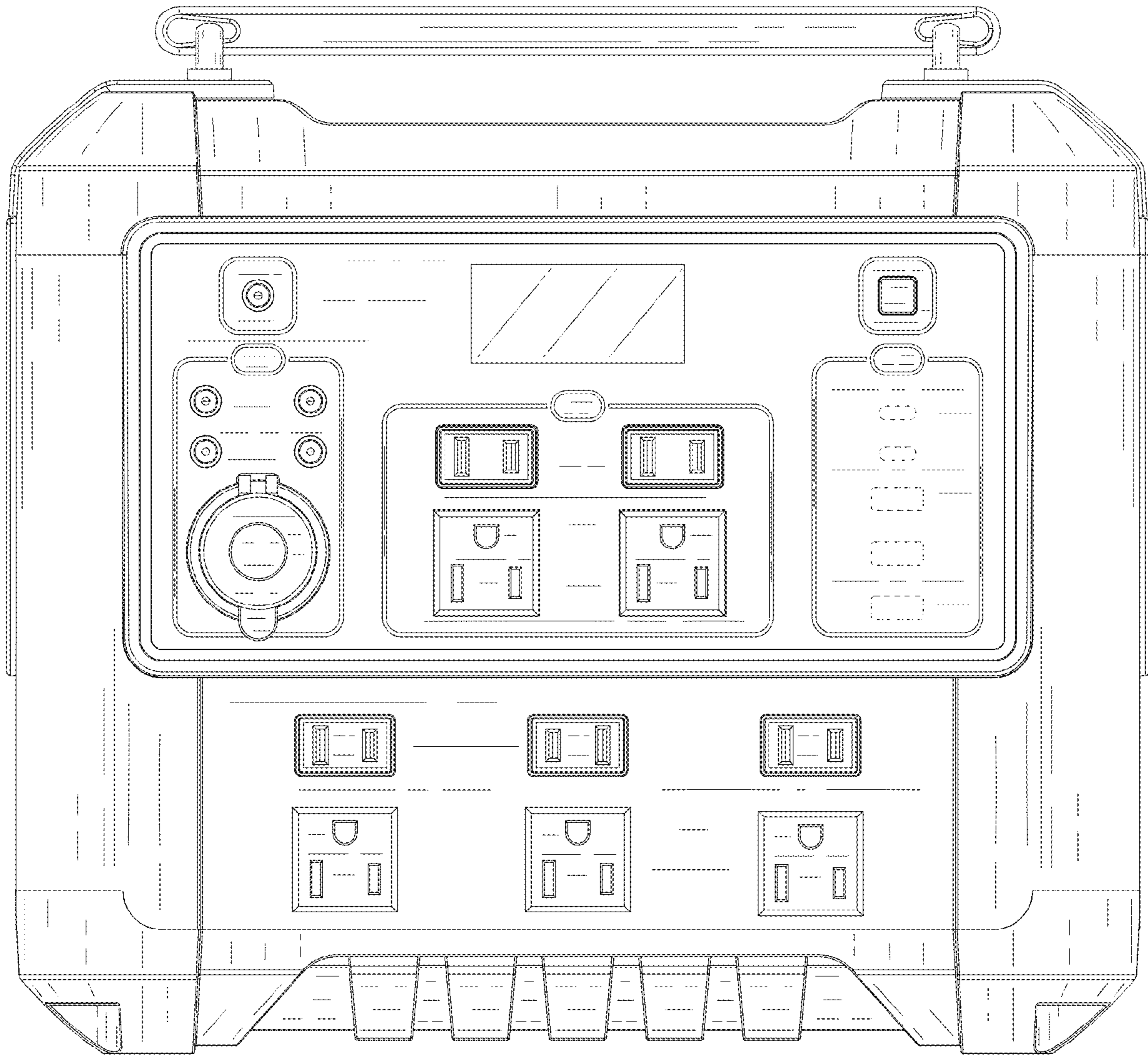


FIG. 3

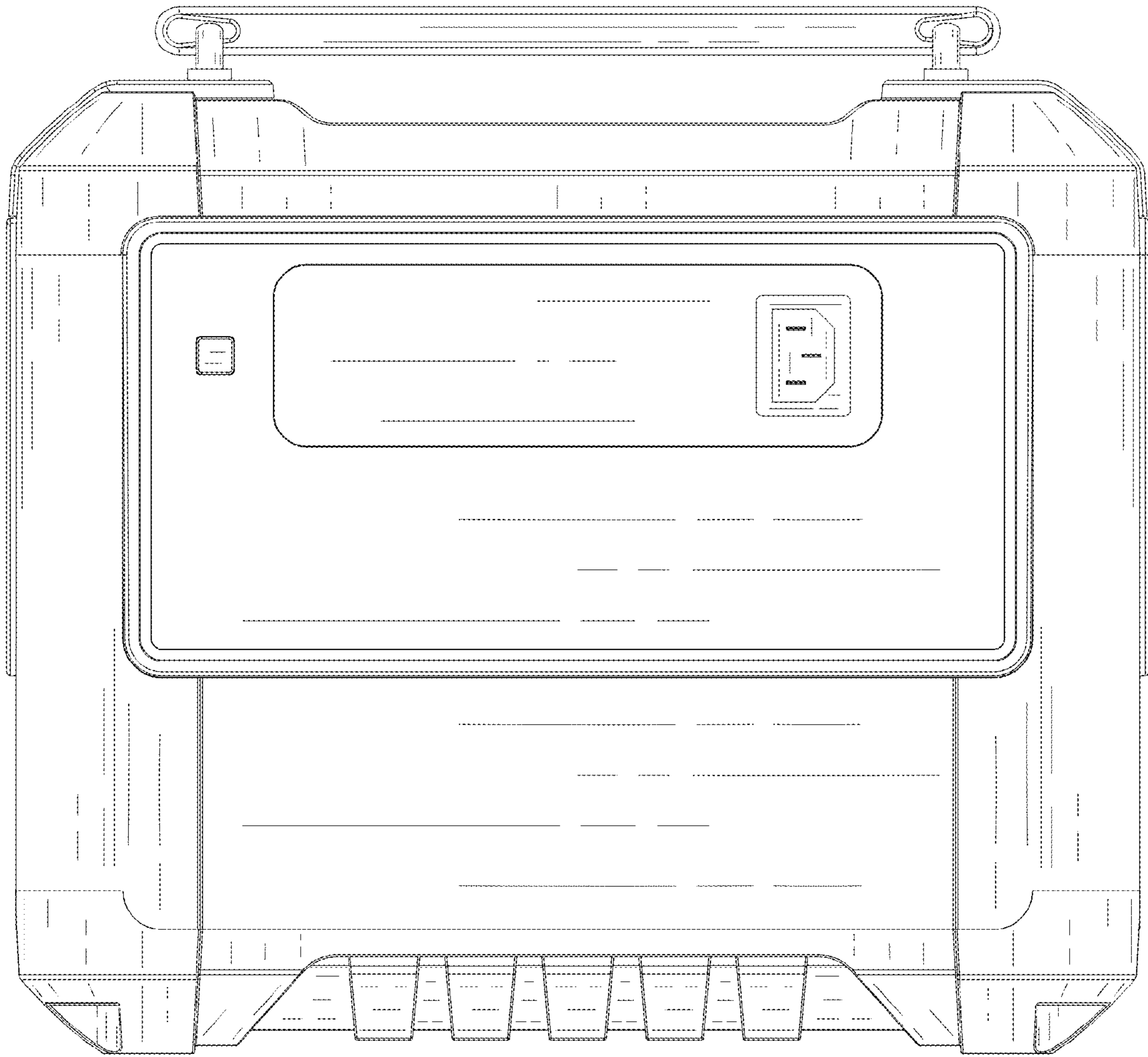


FIG. 4

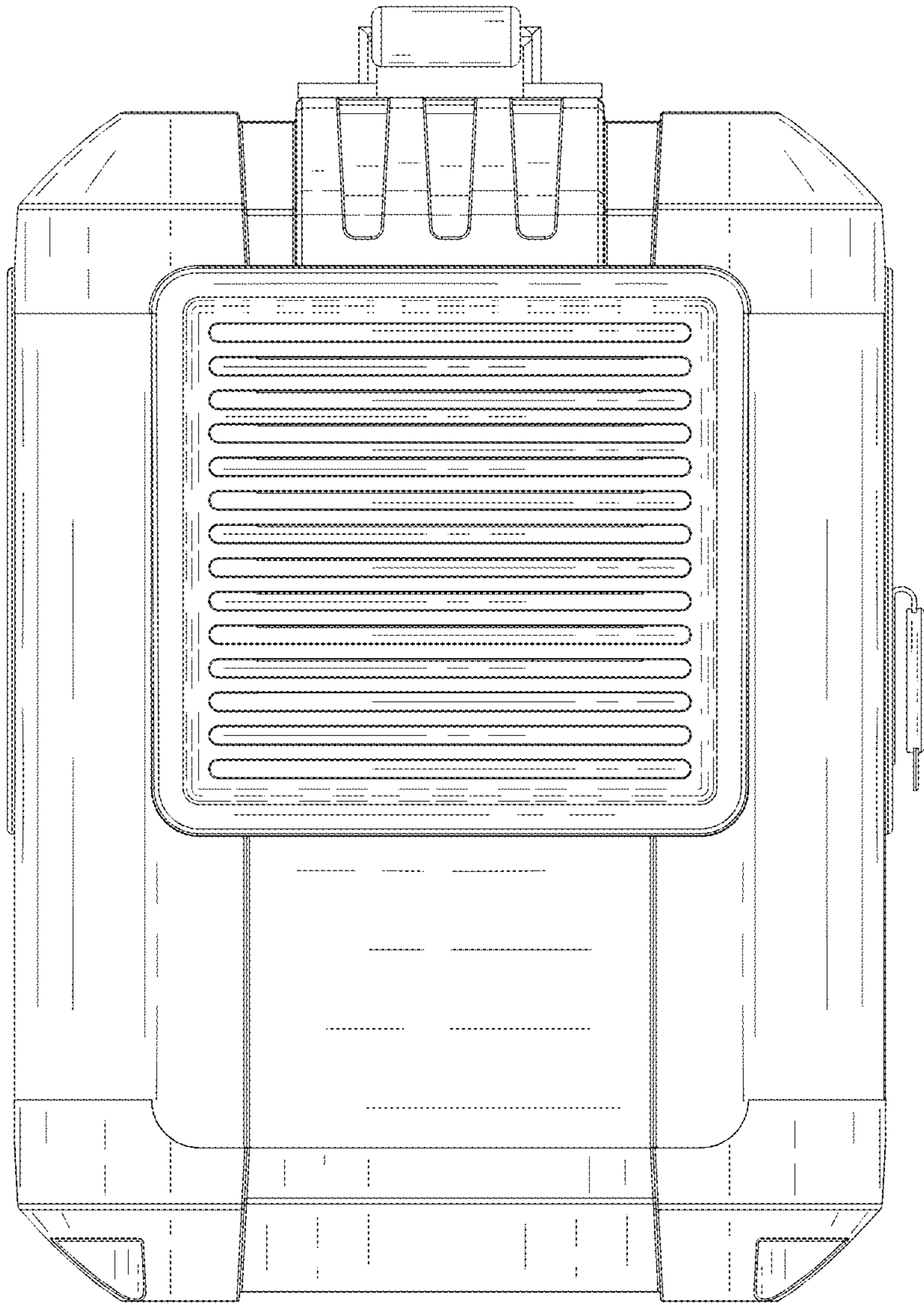


FIG. 5

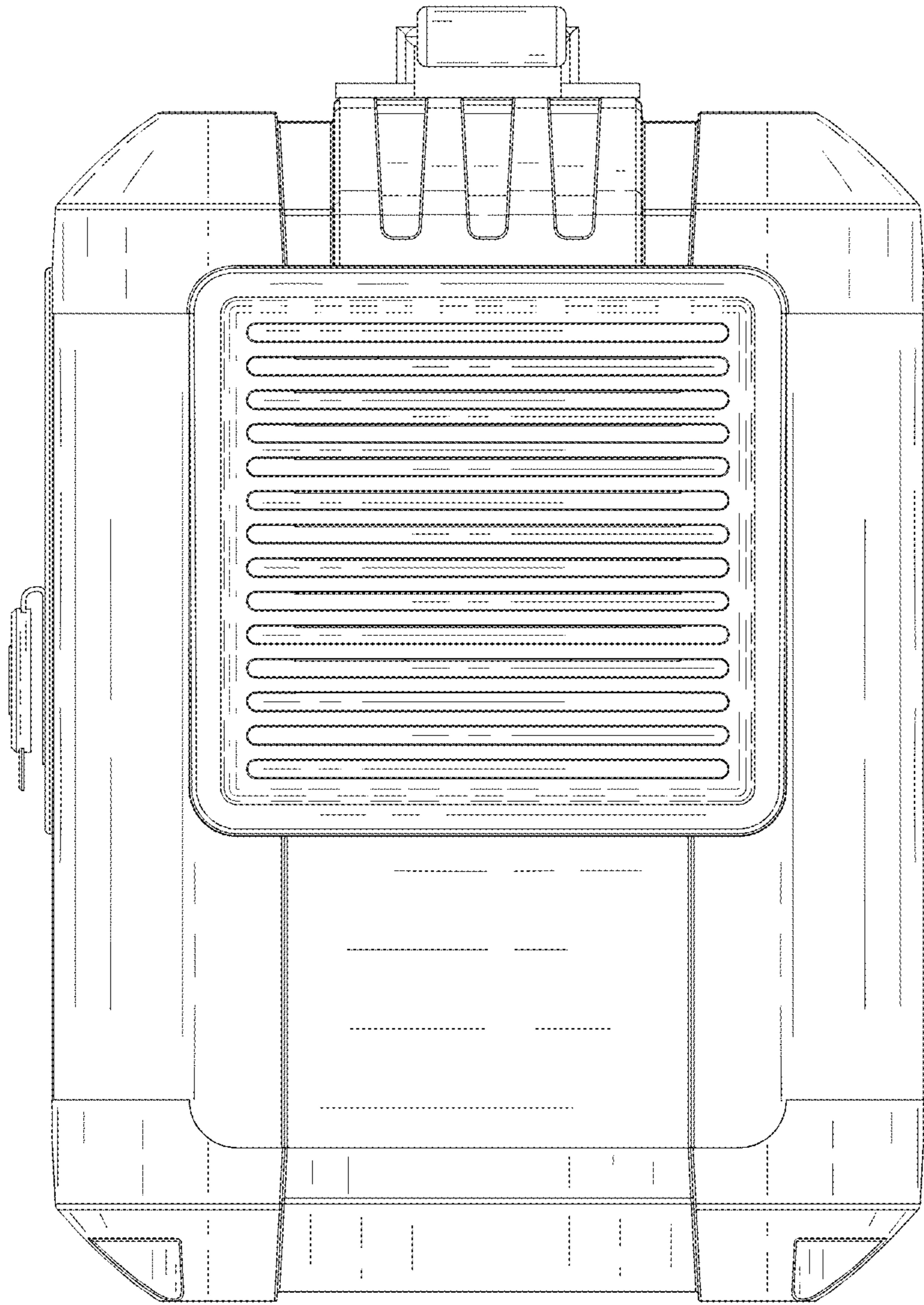


FIG. 6

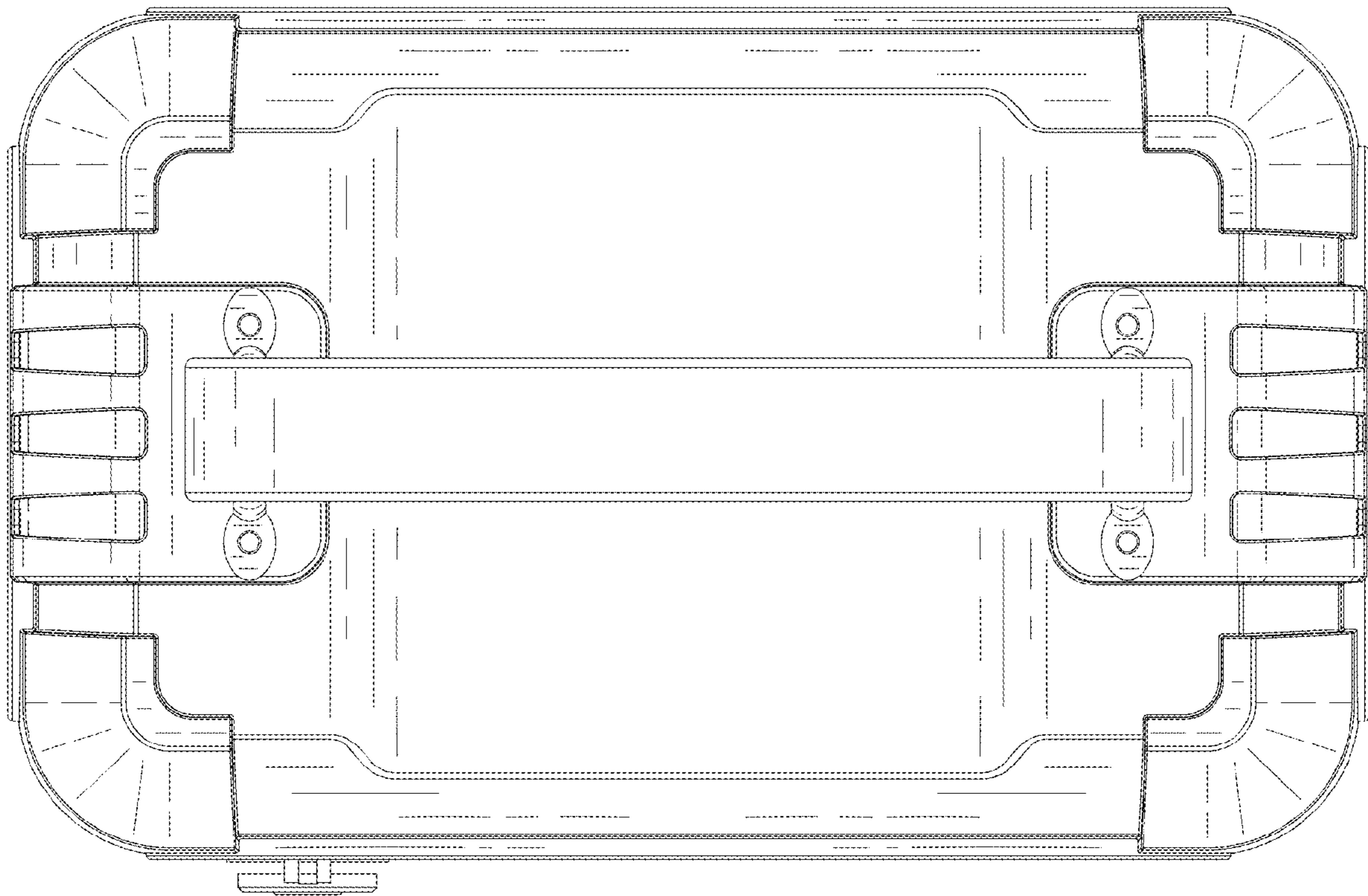


FIG. 7



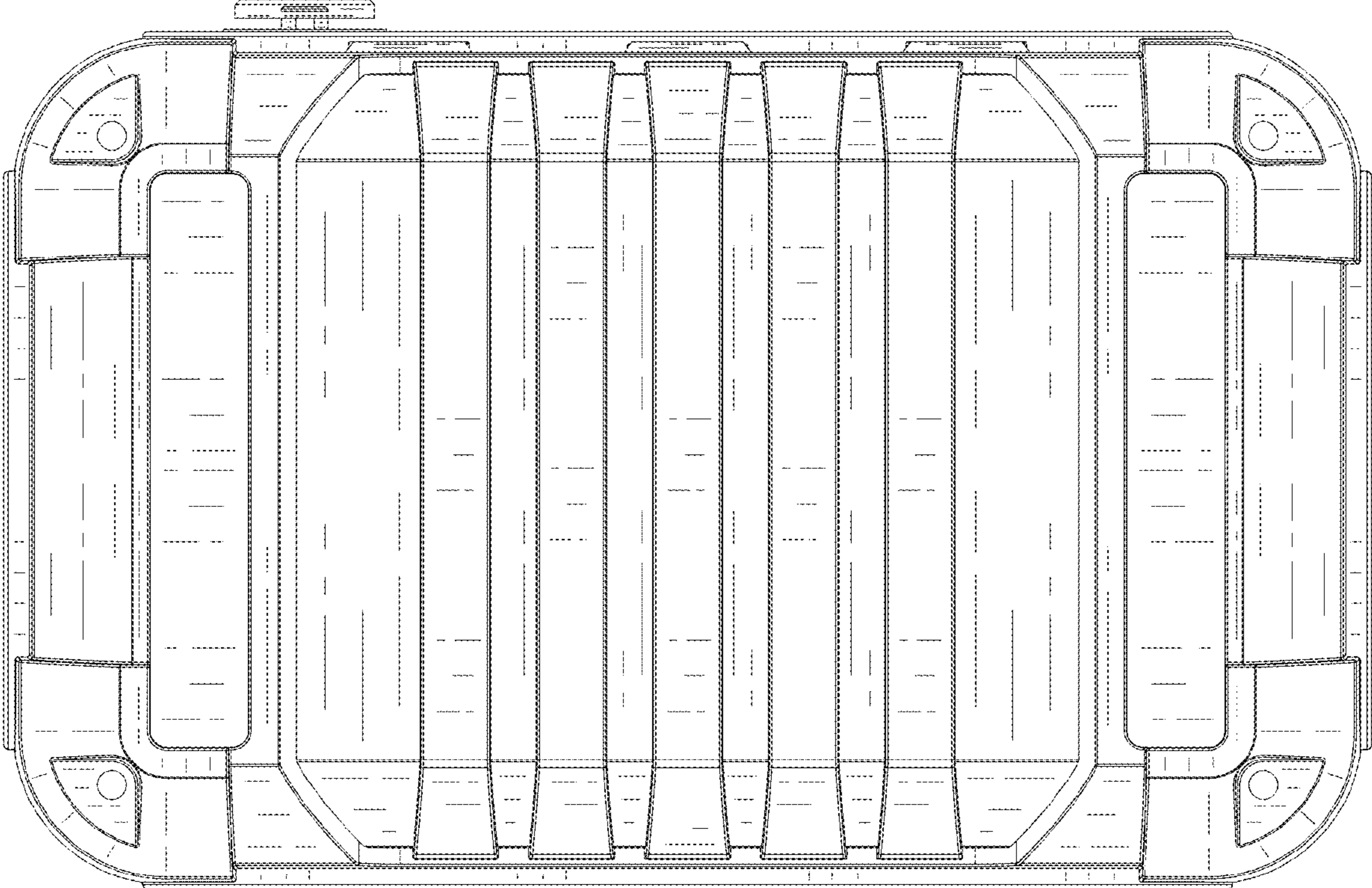


FIG. 8