



US00D970433S

(12) **United States Design Patent**
Tan

(10) **Patent No.:** **US D970,433 S**

(45) **Date of Patent:** **** Nov. 22, 2022**

(54) **CHARGER**

(71) Applicant: **Chunlun Tan**, Hechi (CN)

(72) Inventor: **Chunlun Tan**, Hechi (CN)

(**) Term: **15 Years**

(21) Appl. No.: **29/808,389**

(22) Filed: **Sep. 18, 2021**

(51) **LOC (13) Cl.** **13-02**

(52) **U.S. Cl.**
USPC **D13/107**

(58) **Field of Classification Search**

USPC D13/103, 107, 108, 110, 118, 151, 153,
D13/154, 155, 184
CPC Y02E 60/10; Y02E 60/50; H01M 50/10;
H01M 50/107; H01M 50/557; H01M
50/209; H01M 50/502; H01M 2220/30;
H02J 7/00; H02J 7/0003; H02J 7/0011;
H02J 7/0013; H02J 7/0054; H02J 7/0055;
H02J 7/0057

See application file for complete search history.

(56) **References Cited**

U.S. PATENT DOCUMENTS

| | | | | | |
|------------|---|---------|------------|-------|---------|
| D718,234 S | * | 11/2014 | Rautiainen | | D13/108 |
| D725,034 S | * | 3/2015 | Chen | | D13/108 |
| D735,131 S | * | 7/2015 | Akana | | D13/108 |
| D737,762 S | * | 9/2015 | Aumiller | | D13/108 |
| D746,772 S | * | 1/2016 | Aumiller | | D13/108 |
| D747,267 S | * | 1/2016 | Aumiller | | D13/108 |
| D786,193 S | * | 5/2017 | Akana | | D13/108 |
| D798,807 S | * | 10/2017 | Shi | | D13/108 |
| D806,020 S | * | 12/2017 | Lu | | D13/107 |
| D850,372 S | * | 6/2019 | Kong | | D13/108 |
| D869,391 S | * | 12/2019 | Roberts | | D13/108 |
| D890,095 S | * | 7/2020 | Liao | | D13/110 |
| D899,359 S | * | 10/2020 | Zhang | | D13/108 |
| D900,027 S | * | 10/2020 | Reilly | | D13/108 |
| D908,620 S | * | 1/2021 | Akana | | D13/108 |
| D911,276 S | * | 2/2021 | Li | | D13/108 |

| | | | | | |
|------------|---|---------|-------|-------|---------|
| D935,402 S | * | 11/2021 | Qiu | | D13/108 |
| D936,576 S | * | 11/2021 | Joung | | D13/108 |
| D937,765 S | * | 12/2021 | Akana | | D13/107 |

(Continued)

Primary Examiner — Christy Nemeth

(57) **CLAIM**

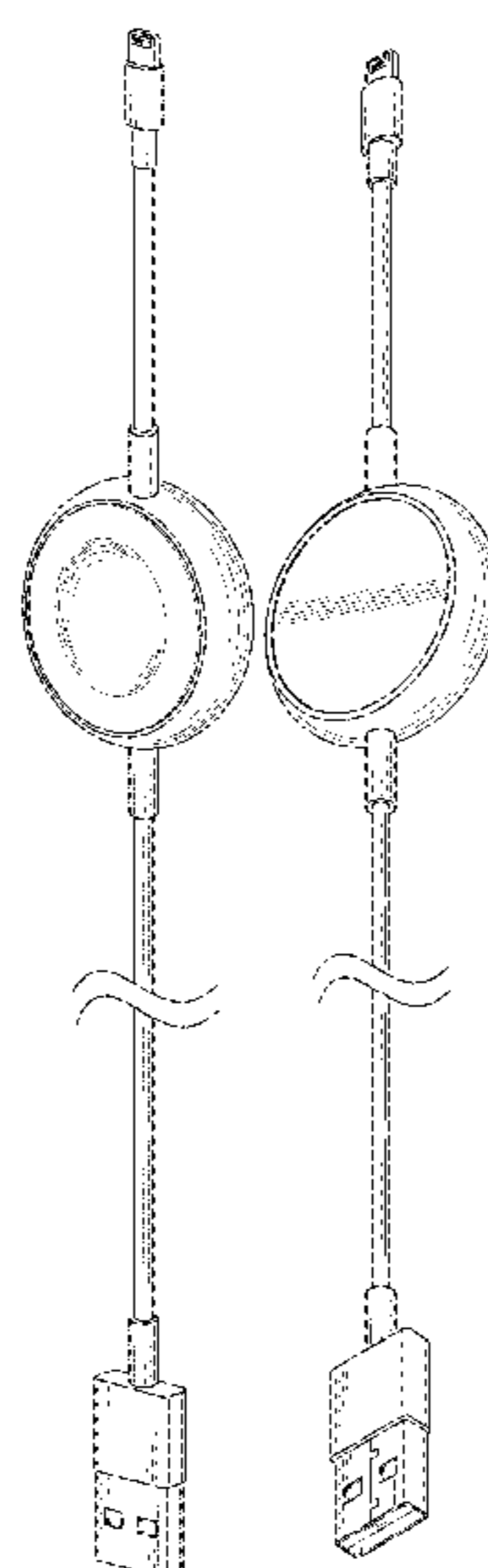
The ornamental design for a charger, as shown and described.

DESCRIPTION

FIG. 1 is a top, front and right side perspective view of a first embodiment of a charger showing my new design;
 FIG. 2 is a rear, left side and bottom perspective view thereof;
 FIG. 3 is a front view thereof;
 FIG. 4 is a rear view thereof;
 FIG. 5 is a left side view thereof;
 FIG. 6 is a right side view thereof;
 FIG. 7 is a top plan view thereof;
 FIG. 8 is a bottom plan view thereof;
 FIG. 9 is a top, front and right side perspective view of a second embodiment of the charger showing my new design;
 FIG. 10 is a rear, left side and bottom perspective view thereof;
 FIG. 11 is a front view thereof;
 FIG. 12 is a rear view thereof;
 FIG. 13 is a left side view thereof;
 FIG. 14 is a right side view thereof;
 FIG. 15 is a top plan view thereof; and,
 FIG. 16 is a bottom plan view thereof.

The broken lines in the drawings are for the purposes of illustrating portions of the charger that form no part of the claimed design. The charger is shown with a symbolic break in its length. The appearance of any portion of the article between the break lines forms no part of the claimed design.

1 Claim, 14 Drawing Sheets



(56)

References Cited

U.S. PATENT DOCUMENTS

| | | | |
|--------------|--------|--------------|---------|
| D943,524 S * | 2/2022 | Zheng | D13/108 |
| D946,506 S * | 3/2022 | Cheng | D13/107 |
| D946,507 S * | 3/2022 | Cheng | D13/107 |
| D946,508 S * | 3/2022 | Cheng | D13/107 |
| D948,427 S * | 4/2022 | Lin | D13/108 |
| D958,071 S * | 7/2022 | Yang | D13/108 |
| D958,072 S * | 7/2022 | Yang | D13/108 |
| D958,737 S * | 7/2022 | Turksu | D13/108 |

* cited by examiner

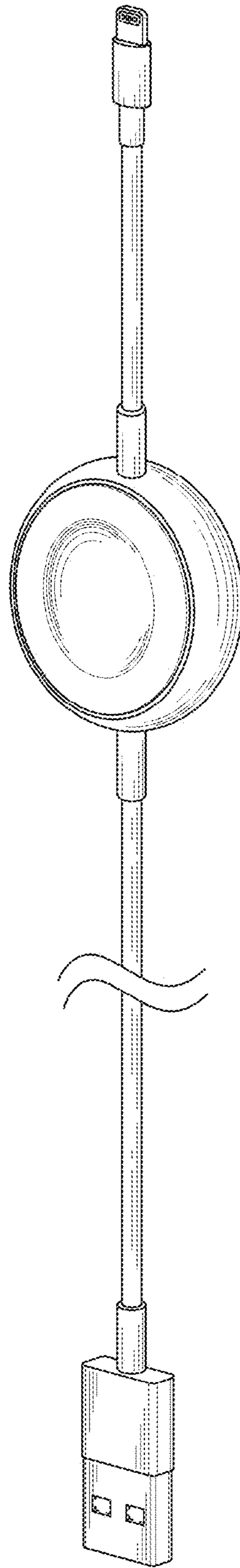


FIG. 1

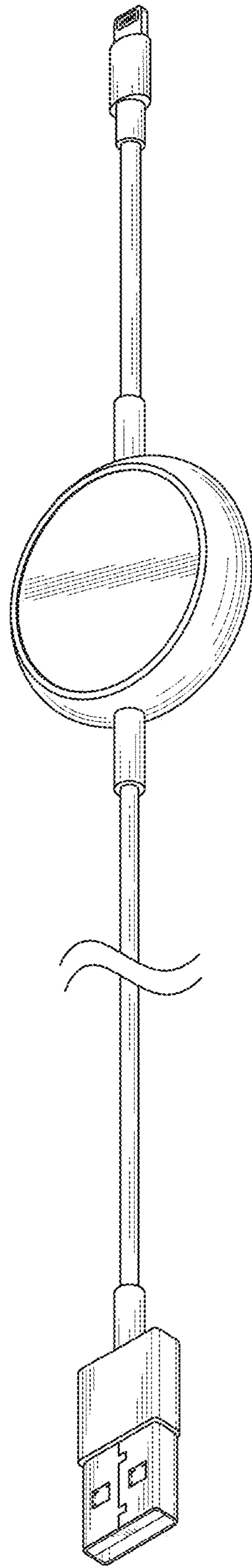


FIG. 2

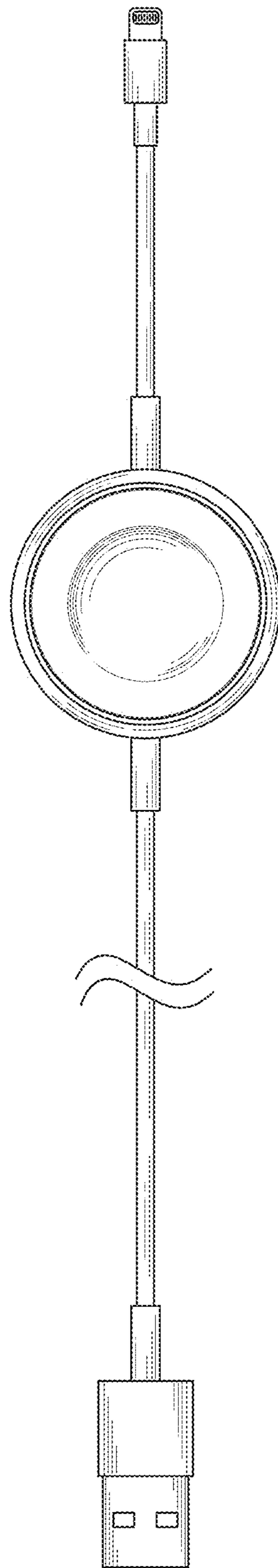


FIG. 3

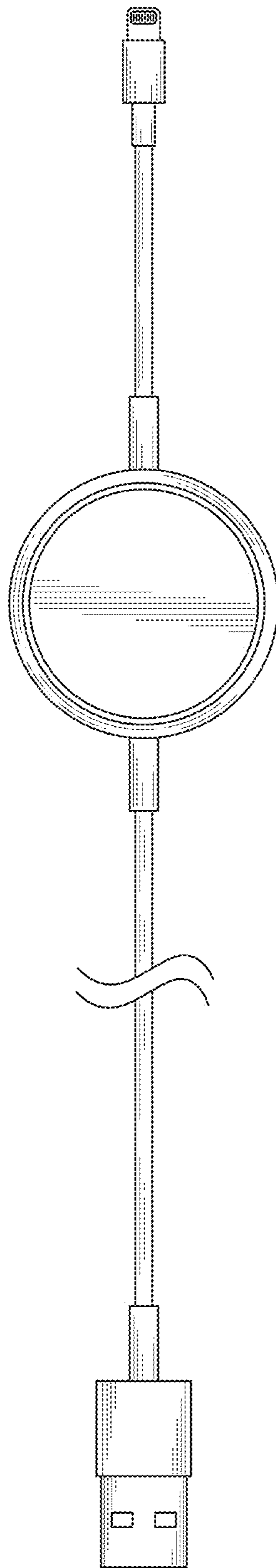


FIG. 4

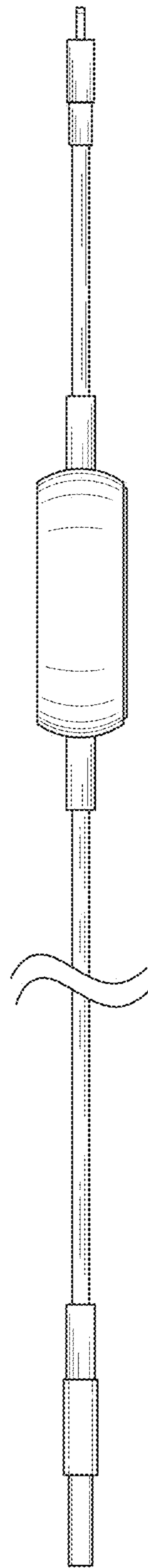


FIG. 5

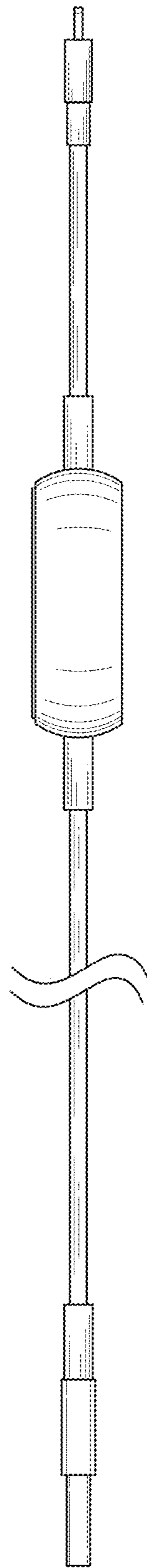


FIG. 6

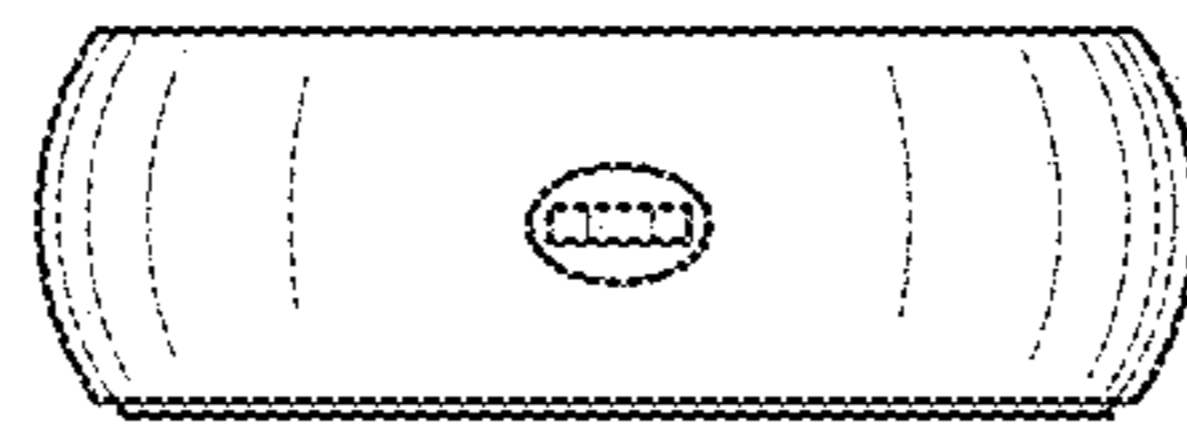


FIG. 7

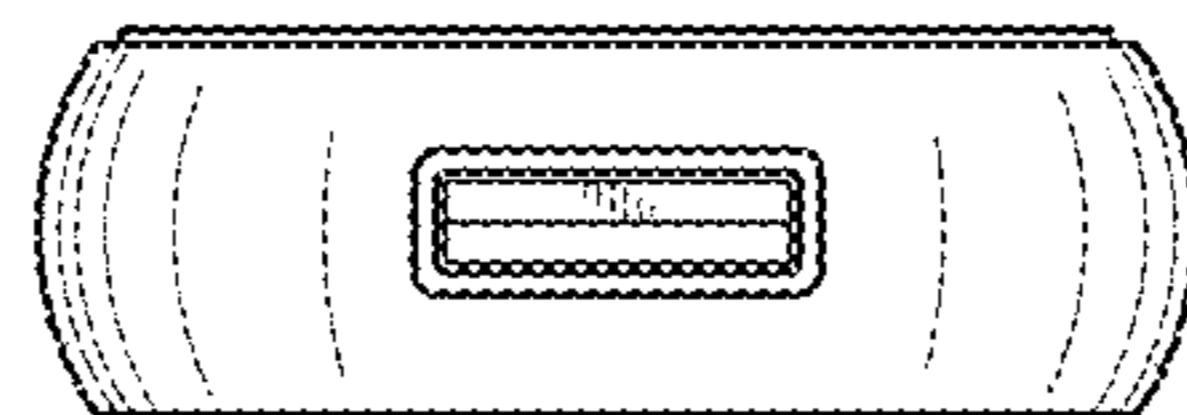


FIG. 8

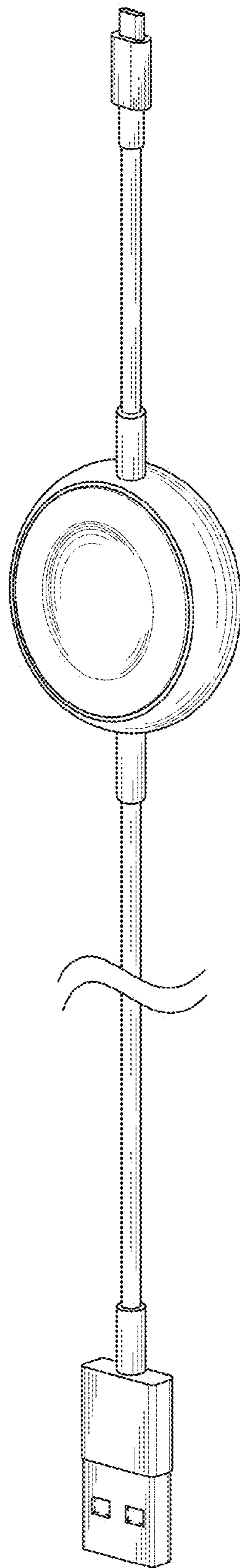


FIG. 9

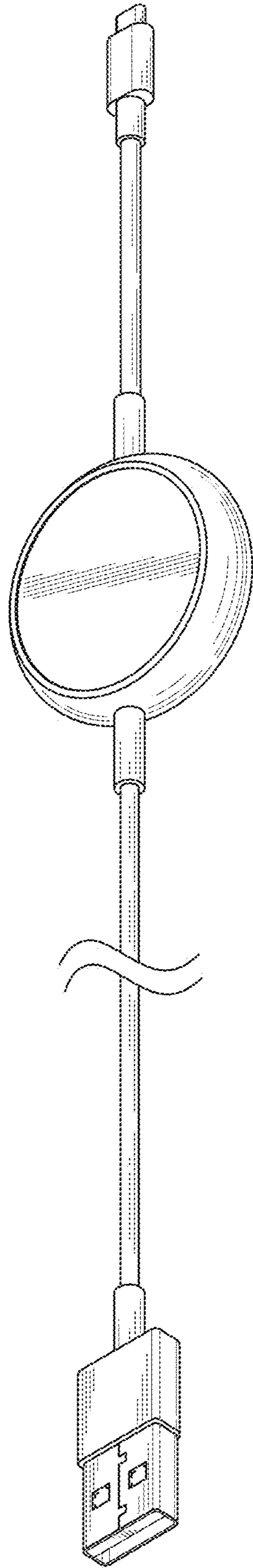


FIG. 10

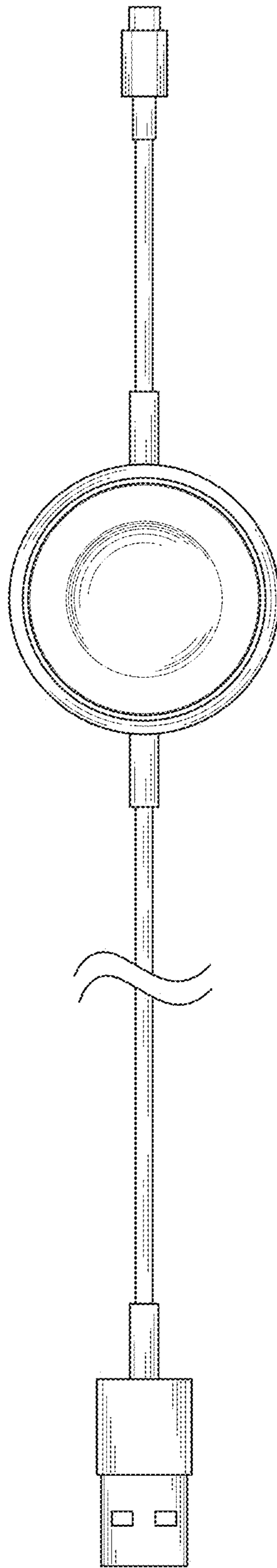


FIG. 11

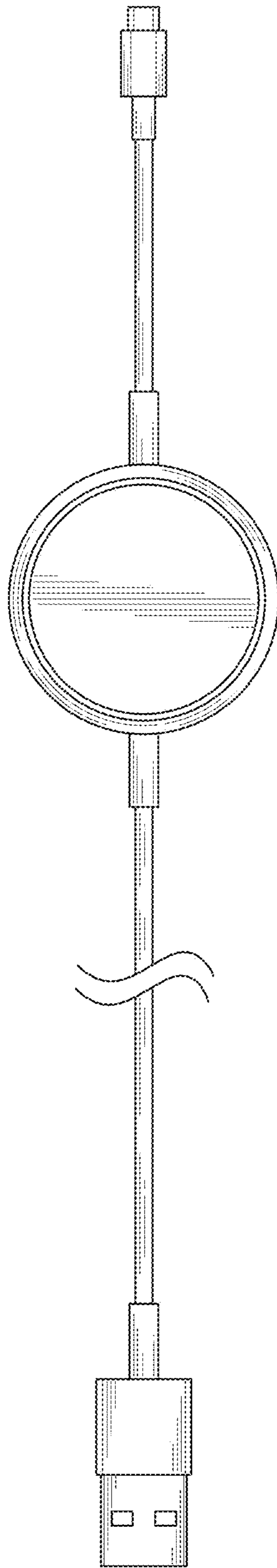


FIG. 12

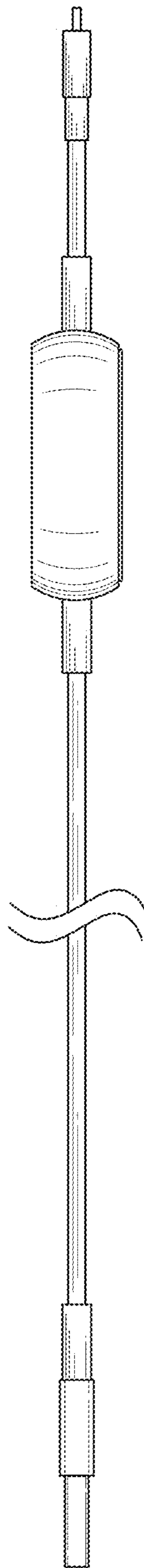


FIG. 13

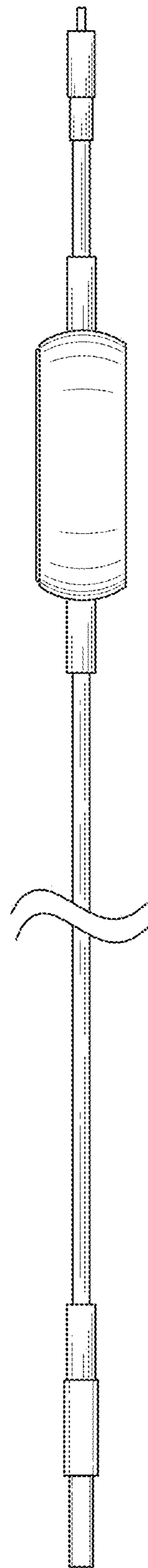


FIG. 14

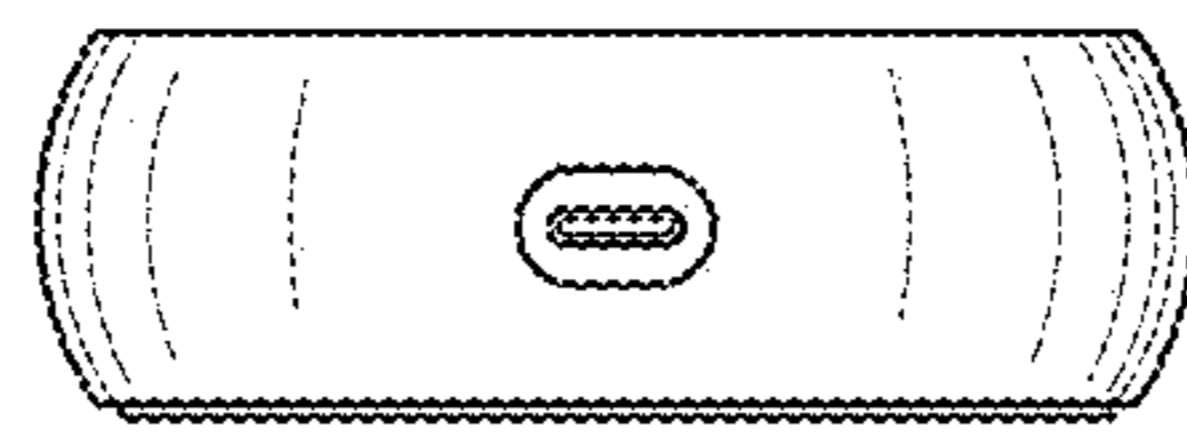


FIG. 15

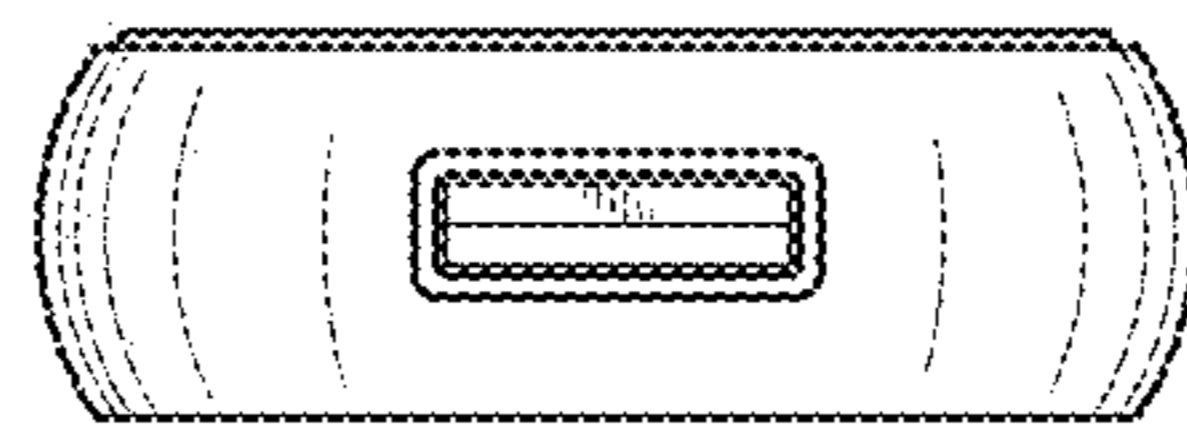


FIG. 16