



US00D970432S

(12) **United States Design Patent** (10) **Patent No.:** **US D970,432 S**
Erni (45) **Date of Patent:** **** Nov. 22, 2022**

(54) **CHARGING STATION FOR ELECTRIC VEHICLE**

(71) Applicant: **Juice Technology AG**, Cham (CH)

(72) Inventor: **Christoph Erni**, Winkel (CH)

(73) Assignee: **JUICE TECHNOLOGY AG**, Cham (CH)

(**) Term: **15 Years**

(21) Appl. No.: **29/749,367**

(22) Filed: **Sep. 4, 2020**

(51) **LOC (13) Cl.** **13-02**

(52) **U.S. Cl.**
USPC **D13/107**

(58) **Field of Classification Search**
USPC D13/103, 107, 108, 110, 118, 119, 137.2,
D13/137.3, 138.1, 139.1, 139.4, 139.5;
D14/251, 252, 253, 432, 433, 434, 447
CPC H01R 24/00; H01R 12/592; H02J 7/0044;
H02J 7/0045
See application file for complete search history.

(56) **References Cited**

U.S. PATENT DOCUMENTS

6,459,234	B2 *	10/2002	Kajiura	H02J 7/00034
					320/109
D608,731	S *	1/2010	Amit	D13/107
D629,747	S *	12/2010	Rajakaruna	D13/107
D654,430	S *	2/2012	Demers	D13/107
D675,153	S *	1/2013	Bianco	D13/107
D922,314	S *	6/2021	Helnerus	D13/107
D935,393	S *	11/2021	Emi	D13/107
D937,199	S *	11/2021	Gehrmann	D13/107
2011/0140656	A1 *	6/2011	Starr	B60L 53/63
					320/109

2013/0207606	A1 *	8/2013	Ranga	B60L 53/31
					320/109
2014/0266017	A1 *	9/2014	Hamada	H02J 5/00
					320/107
2016/0121747	A1 *	5/2016	Jefferies	B60L 53/31
					320/109
2018/0086218	A1 *	3/2018	Murase	B60L 53/14

FOREIGN PATENT DOCUMENTS

WO WO-D210459-002 * 10/2020

OTHER PUBLICATIONS

“Alfen Charging station”. Found online Dec. 15, 2021 at carplug.com. Reference dated Dec. 7, 2019. Retrieved from <https://www.carplug.com/en/alfen-charging-station-stand-for-eve-mini>. (Year: 2019).*

(Continued)

Primary Examiner — Kendra Leslie Hamilton

Assistant Examiner — Amanda Christensen

(74) *Attorney, Agent, or Firm* — Tarter Krinsky & Dragin LLP

(57) **CLAIM**

The ornamental design for a charging station for electric vehicle, as shown and described.

DESCRIPTION

FIG. 1 is a front elevation view of a charging station for electric vehicle showing my new design;

FIG. 2 is a left side elevation view thereof;

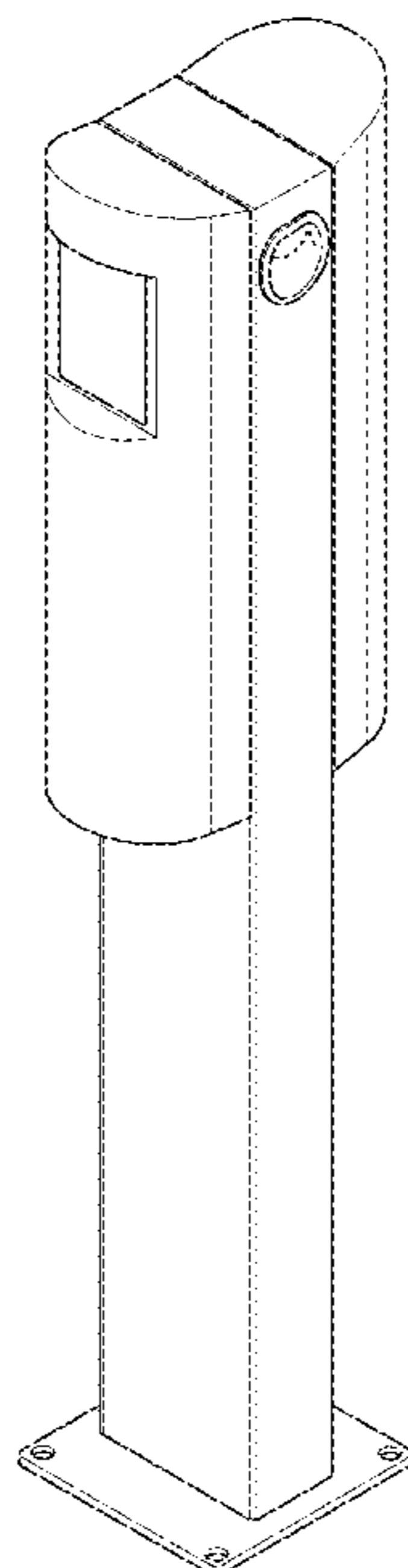
FIG. 3 is a top, front, left side perspective view thereof;

FIG. 4 is a top, front, left side perspective view thereof; and,

FIG. 5 is a top plan view thereof.

The broken lines in the drawings depict portions of the charging station for electric vehicle that form no part of the claimed design.

1 Claim, 5 Drawing Sheets



(56)

References Cited

OTHER PUBLICATIONS

“ChargePoint”. Found online Dec. 16, 2021 at electrek.co. Reference dated Nov. 13, 2019. Retrieved from <https://electrek.co/2019/11/13/la-adds-hundreds-of-ev-chargers-to-streetlights-giving-renters-a-place-to-plug-in/>. (Year: 2019).*

“Juice Technology AG”. Found online Dec. 15, 2021 at [facebook.com](https://www.facebook.com/juicetechnologyAG/photos/a.1102382169775955/3338951239452359/?type=3&theater). Reference dated Mar. 24, 2020. Retrieved from <https://www.facebook.com/juicetechnologyAG/photos/a.1102382169775955/3338951239452359/?type=3&theater>. (Year: 2020).*

* cited by examiner

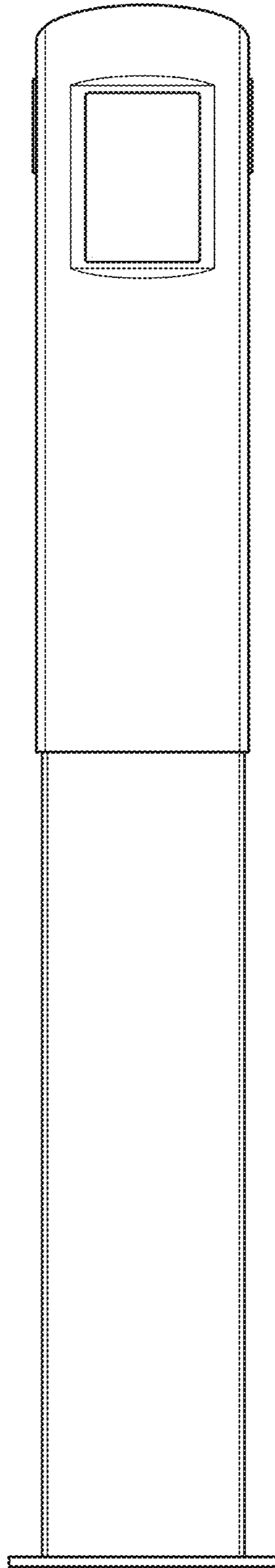


FIG. 1

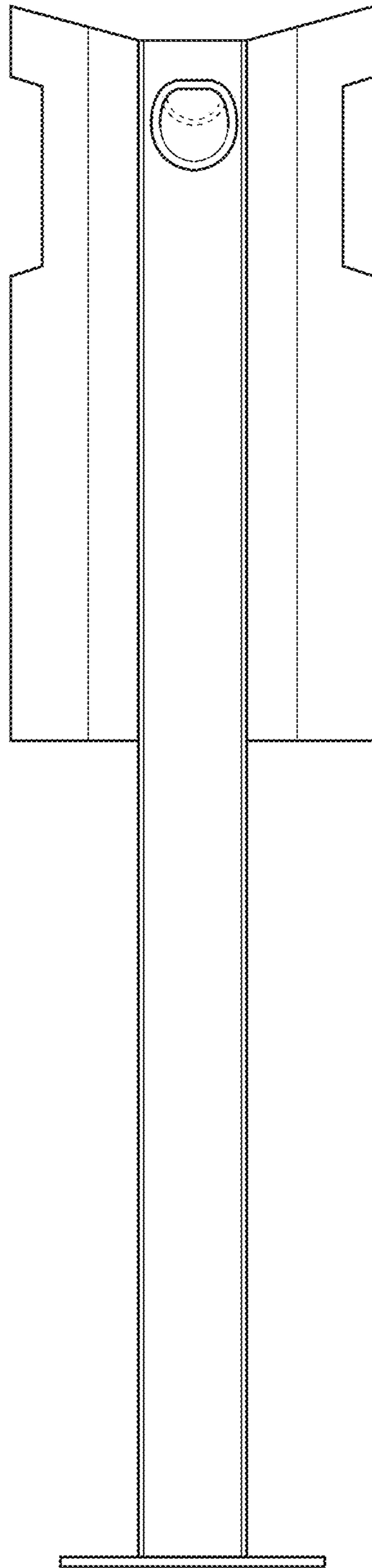


FIG. 2

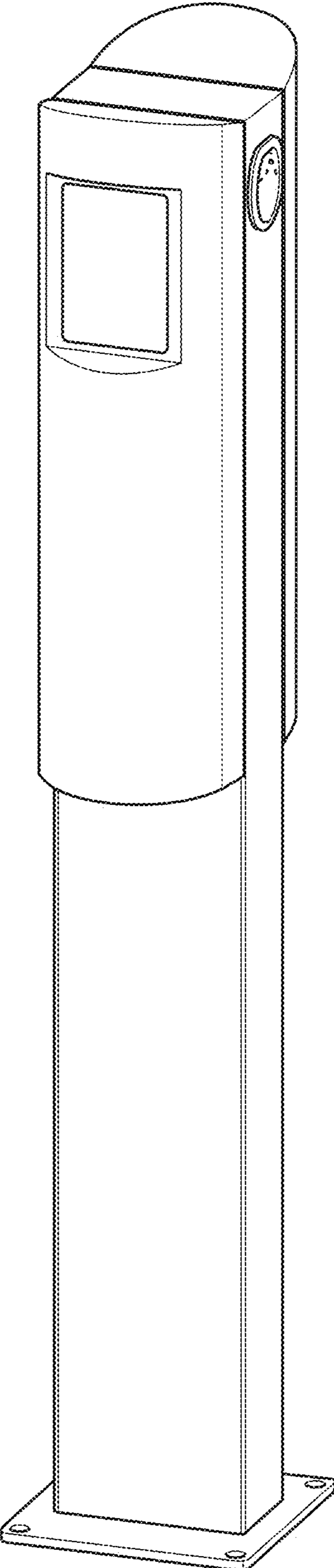


FIG. 3

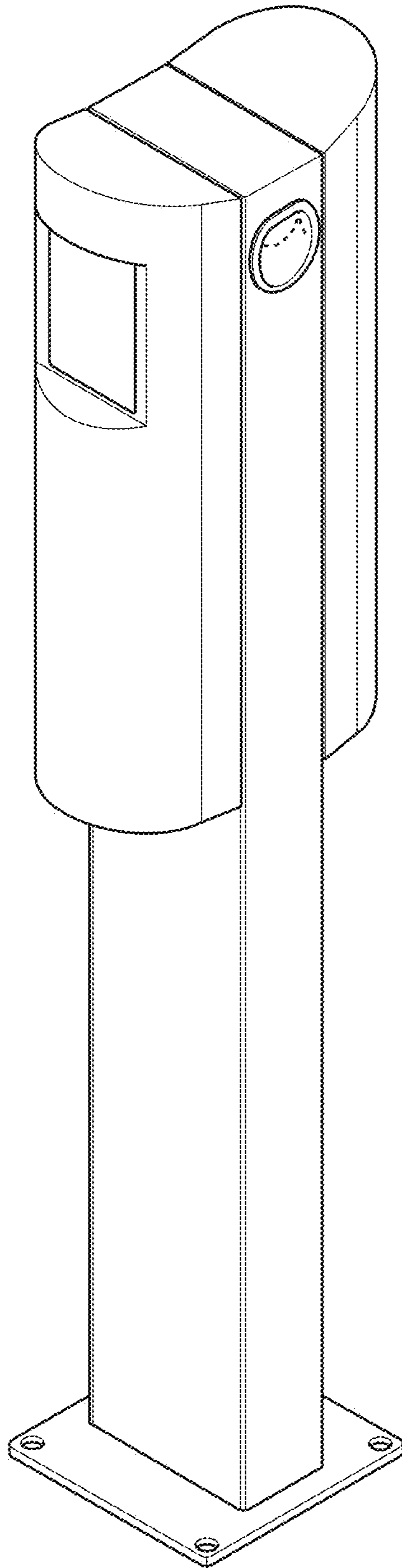


FIG. 4

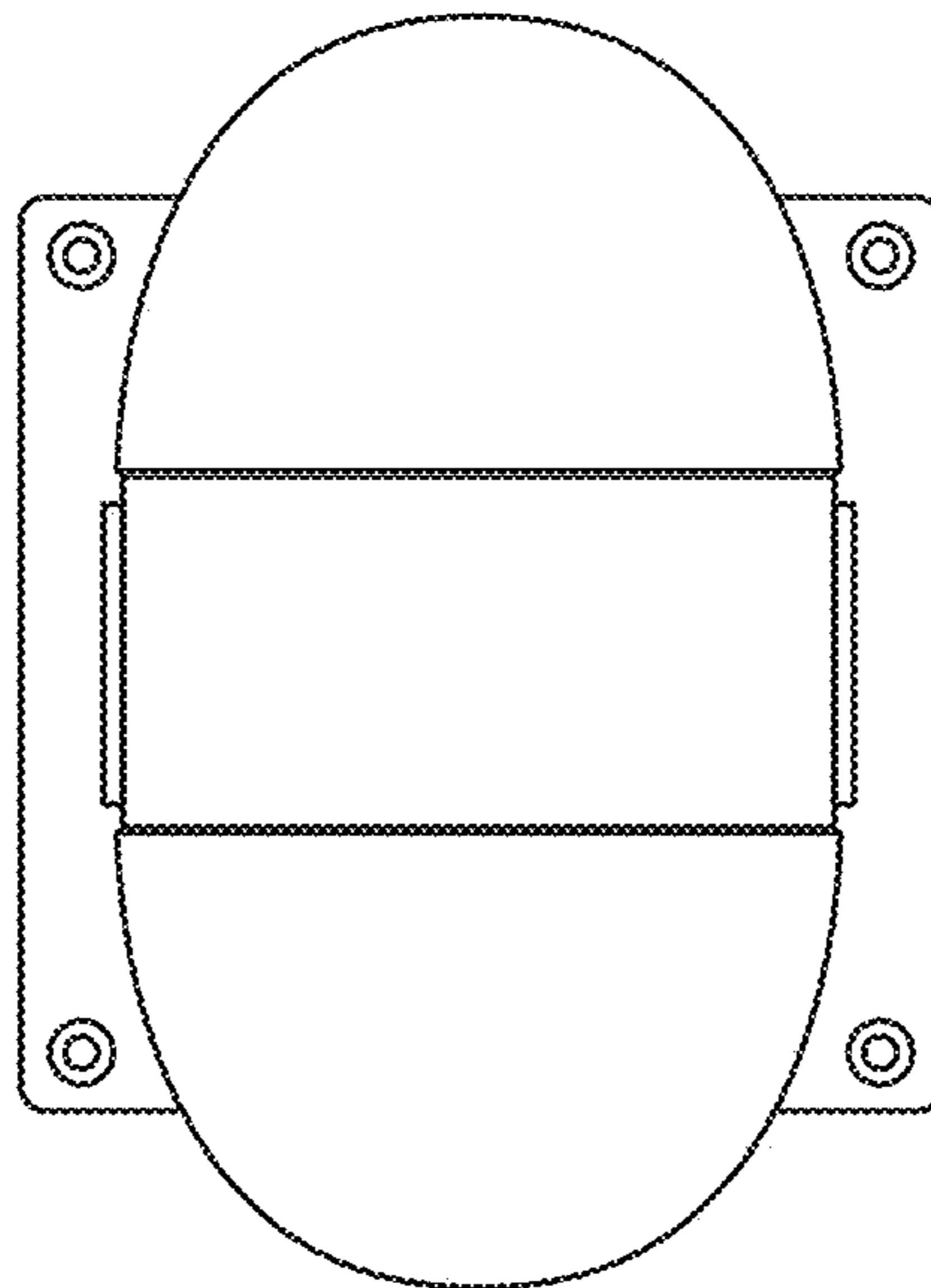


FIG. 5