



US00D970431S

(12) **United States Design Patent** (10) **Patent No.:** **US D970,431 S**
Xiong (45) **Date of Patent:** **** Nov. 22, 2022**

(54) **BATTERY BOX**
(71) Applicant: **Yewei Xiong**, Fuzhou (CN)
(72) Inventor: **Yewei Xiong**, Fuzhou (CN)
(**) Term: **15 Years**
(21) Appl. No.: **29/760,344**
(22) Filed: **Dec. 1, 2020**
(51) **LOC (13) Cl.** **13-02**
(52) **U.S. Cl.**
USPC **D13/103**
(58) **Field of Classification Search**
USPC D13/102–106, 110, 118–119, 184
CPC . Y02E 60/10; H01M 2220/30; H01M 50/209;
H01M 50/213; H01M 50/183; H01M
50/10; H01M 50/529; H01M 50/531;
H01M 10/0525; H01M 10/0436; H01M
10/052; H01M 10/0565; H01M 10/30;
H01M 10/345; H01M 10/425; H01M
2010/0495; B25F 5/02; B25F 5/00; A61B
2017/00734
See application file for complete search history.

(56) **References Cited**
U.S. PATENT DOCUMENTS
D326,726 S * 6/1992 Swain, Jr. D26/85
D367,123 S * 2/1996 Blye D26/42

D585,893 S * 2/2009 Wang D14/480.2
D588,291 S * 3/2009 VanderWoude D26/37
D848,946 S * 5/2019 Xie D13/119
D860,943 S * 9/2019 Xie D13/119
D884,603 S * 5/2020 Xie D13/103
D884,604 S * 5/2020 Xie D13/103
D885,635 S * 5/2020 Cao D26/81
D911,924 S * 3/2021 Xie D13/103
D916,009 S * 4/2021 He D13/103
D932,424 S * 10/2021 Zhao D13/103
D943,531 S * 2/2022 Xiao D13/119

* cited by examiner

Primary Examiner — Nathaniel D. Buckner

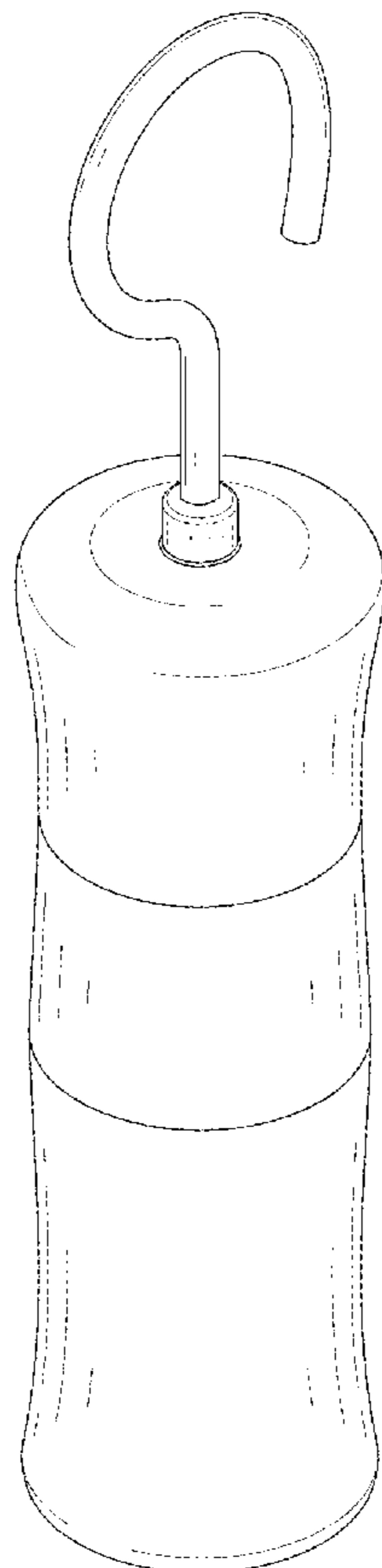
(57) **CLAIM**

The ornamental design for a battery box, as shown and described.

DESCRIPTION

FIG. 1 is a perspective view of a battery box showing my new design;
FIG. 2 is a front view thereof;
FIG. 3 is a back view thereof;
FIG. 4 is a left side view thereof;
FIG. 5 is a right side view thereof;
FIG. 6 is a top view thereof; and,
FIG. 7 is a bottom view thereof.

1 Claim, 7 Drawing Sheets



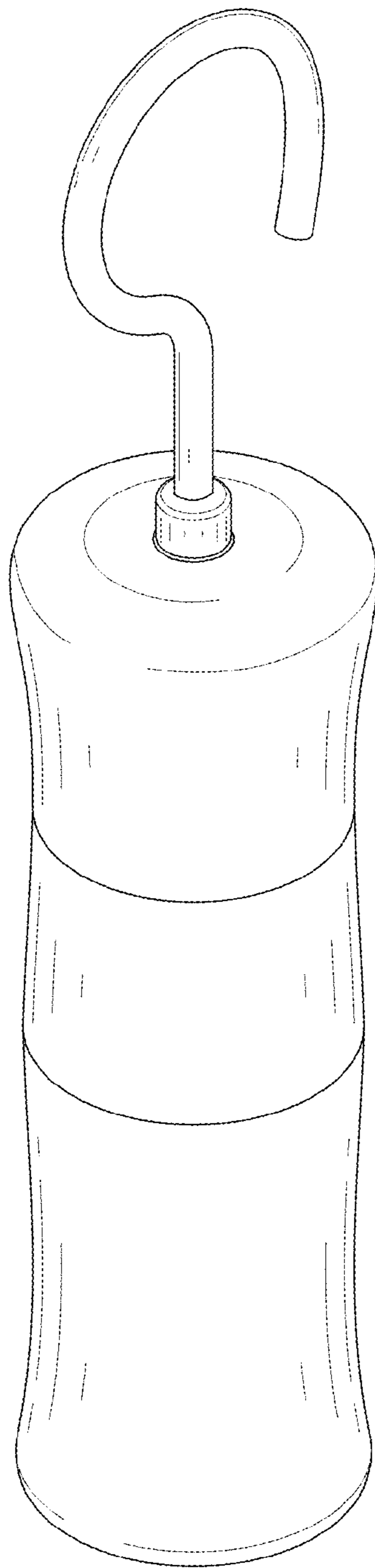


FIG. 1

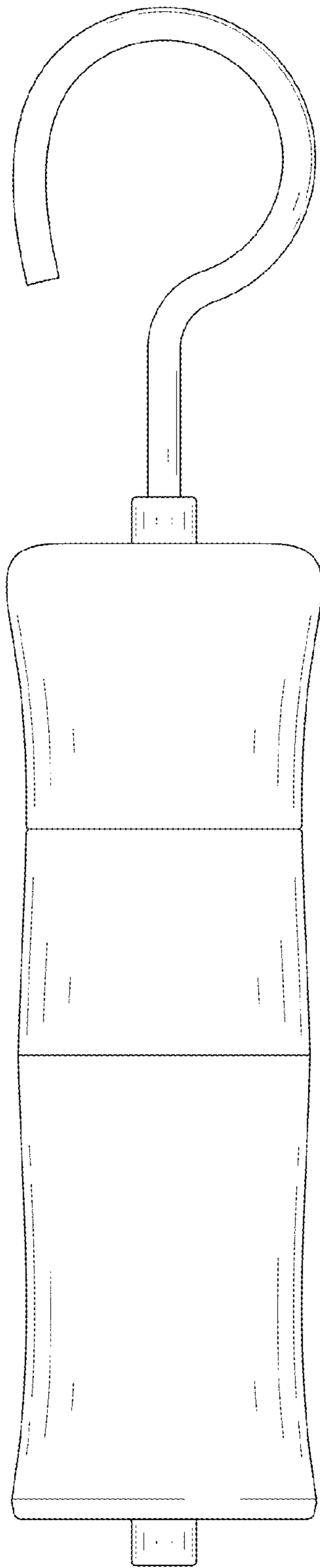


FIG. 2

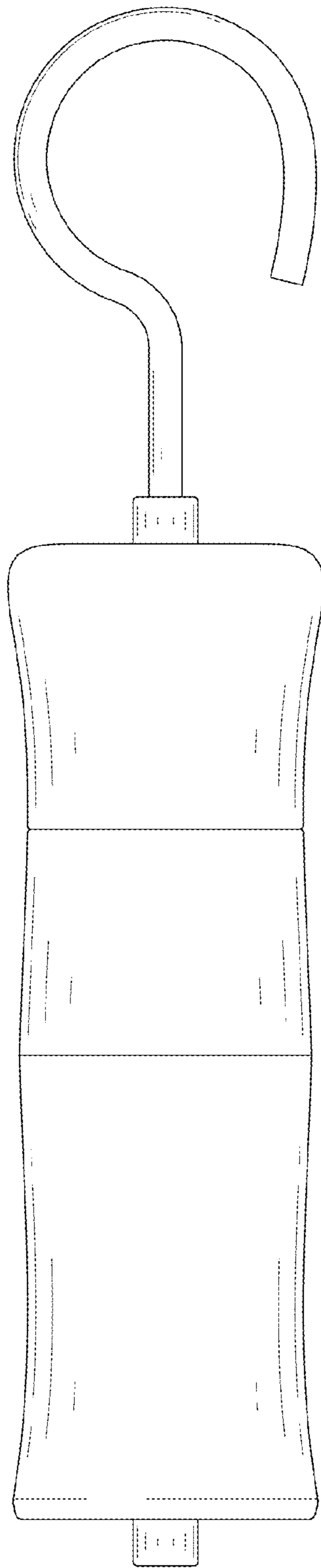


FIG. 3

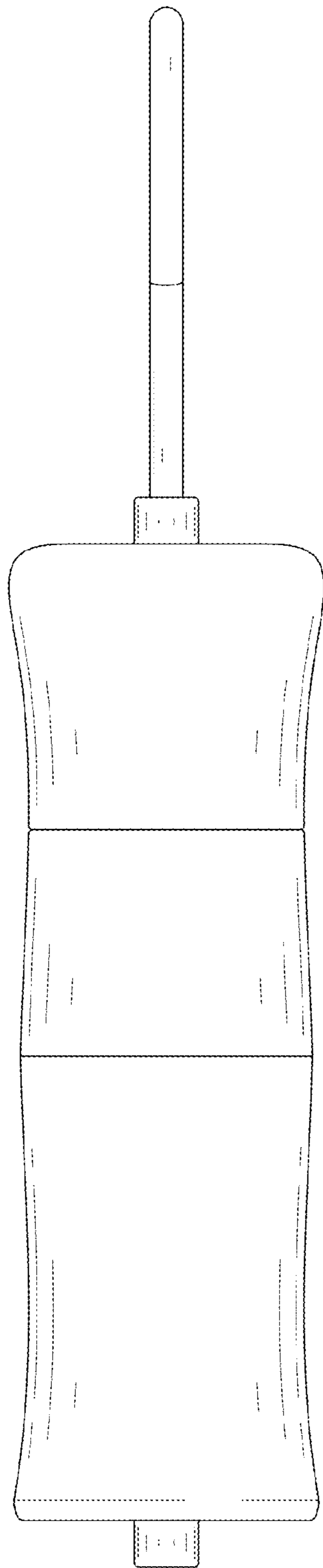


FIG. 4

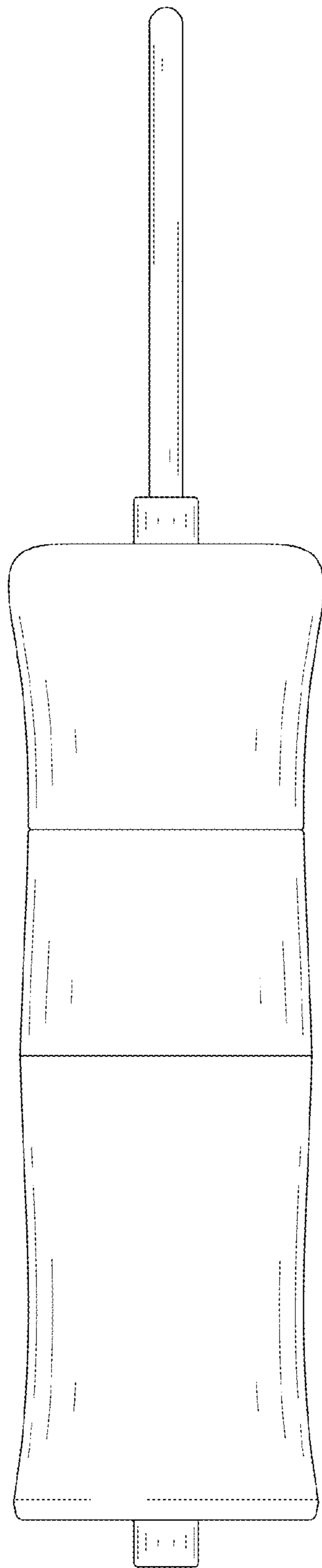


FIG. 5

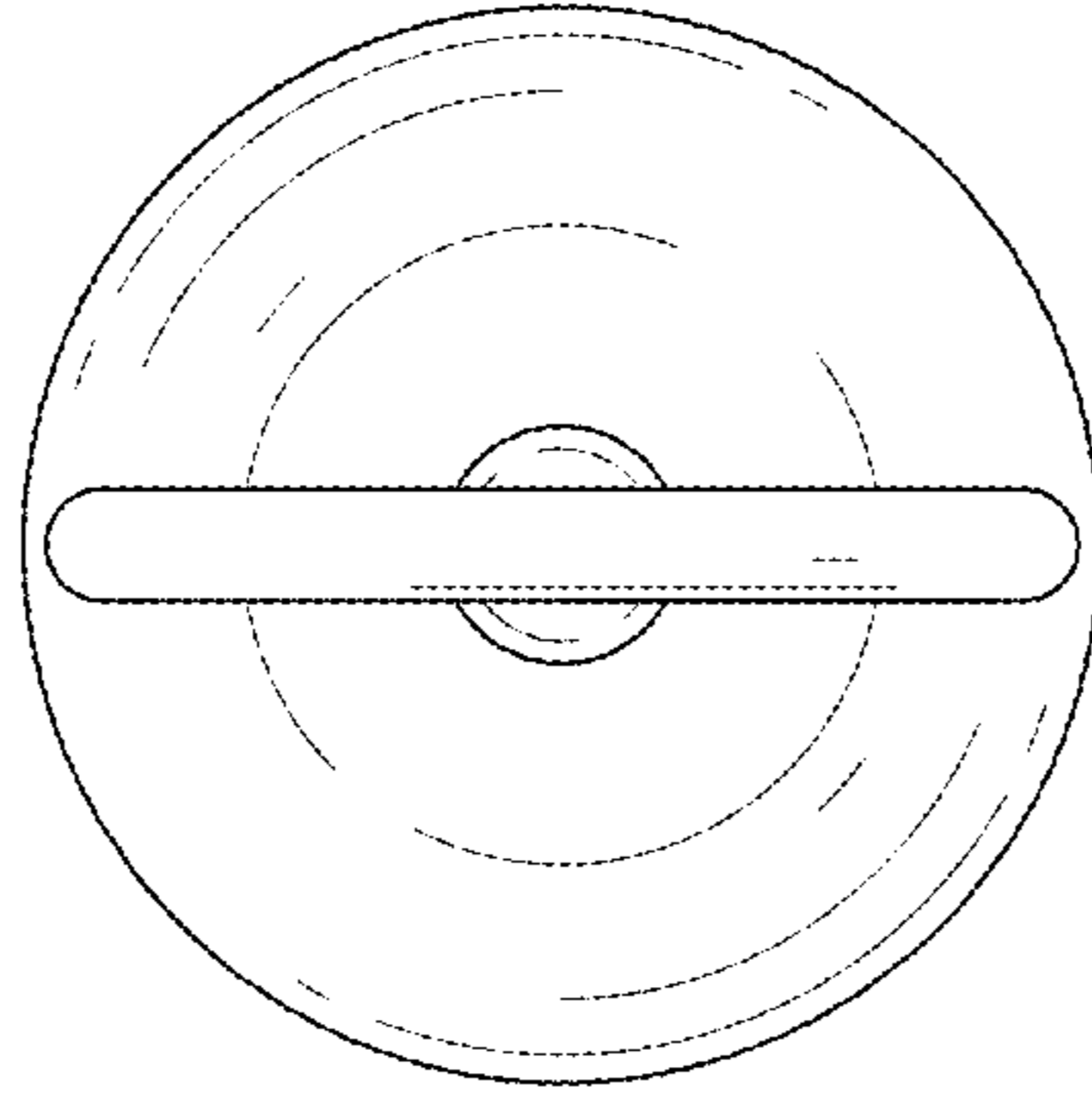


FIG. 6

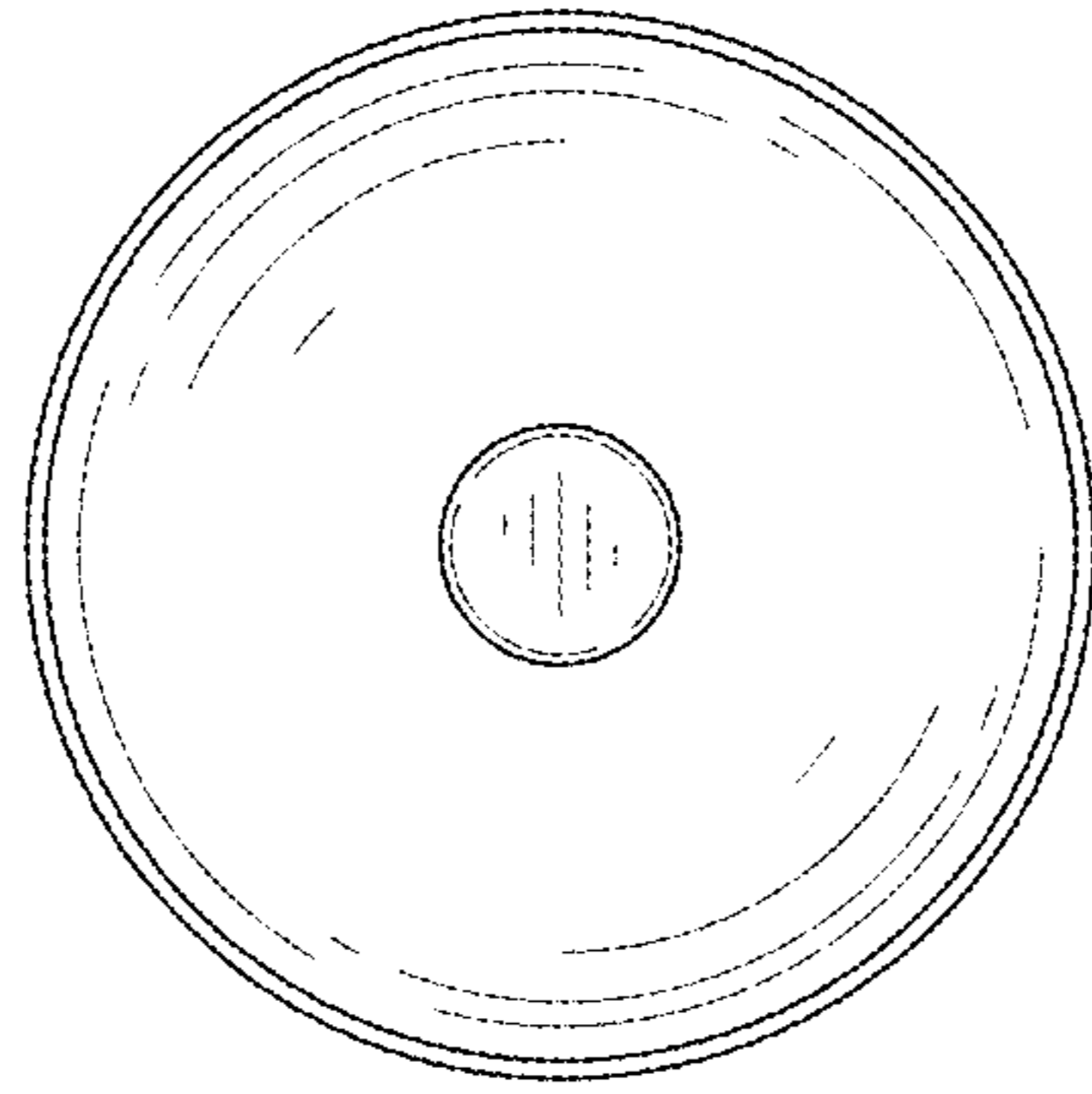


FIG. 7