



US00D970427S

(12) **United States Design Patent**
Sanders et al.

(10) **Patent No.:** **US D970,427 S**

(45) **Date of Patent:** **** Nov. 22, 2022**

(54) **MOTOR VEHICLE ROOF COMPONENT**

(71) Applicant: **Inalfa Roof Systems Group B.V.**, GW
Oostrum (NL)

(72) Inventors: **Jos Sanders**, Cuijck (NL); **Thomas Albers**, Venray (NL)

(73) Assignee: **INALFA ROOF SYSTEMS GROUP B.V.**, Gwoostrum (NL)

(**) Term: **15 Years**

(21) Appl. No.: **29/773,335**

(22) Filed: **Mar. 9, 2021**

(30) **Foreign Application Priority Data**

Sep. 14, 2020 (EM) 008059323-0005

(51) **LOC (13) Cl.** **12-16**

(52) **U.S. Cl.**
USPC **D12/418**

(58) **Field of Classification Search**
USPC D12/44, 418, 223, 190, 401, 415, 195,
D12/426; D8/349
CPC B60R 11/00; B60R 1/04; B60R 99/00
See application file for complete search history.

(56) **References Cited**

U.S. PATENT DOCUMENTS

D245,414 S * 8/1977 Ashbaugh D12/418
D310,984 S * 10/1990 Mayhew D12/401
5,105,521 A * 4/1992 Dowd B60R 13/0225
29/401.1
D428,849 S * 8/2000 Higginson D12/418

D539,212 S * 3/2007 Maezono D12/418
D546,254 S * 7/2007 Teng D12/190
D546,255 S * 7/2007 Teng D12/190
D670,231 S * 11/2012 Stimel, Jr. D12/418
D696,181 S * 12/2013 Martin D12/415
D862,368 S * 10/2019 Song D12/418
D867,231 S * 11/2019 Lascurain D12/167
2004/0084920 A1 * 5/2004 Trimble B60R 11/02
296/37.8
2007/0290014 A1 * 12/2007 Kalis B60R 11/00
224/400
2008/0122239 A1 * 5/2008 May B60R 1/008
296/24.34
2019/0275955 A1 * 9/2019 Hau B60R 11/0235

* cited by examiner

Primary Examiner — Darlington Ly

Assistant Examiner — D. Ryan Tisdale

(74) *Attorney, Agent, or Firm* — Cantor Colburn LLP

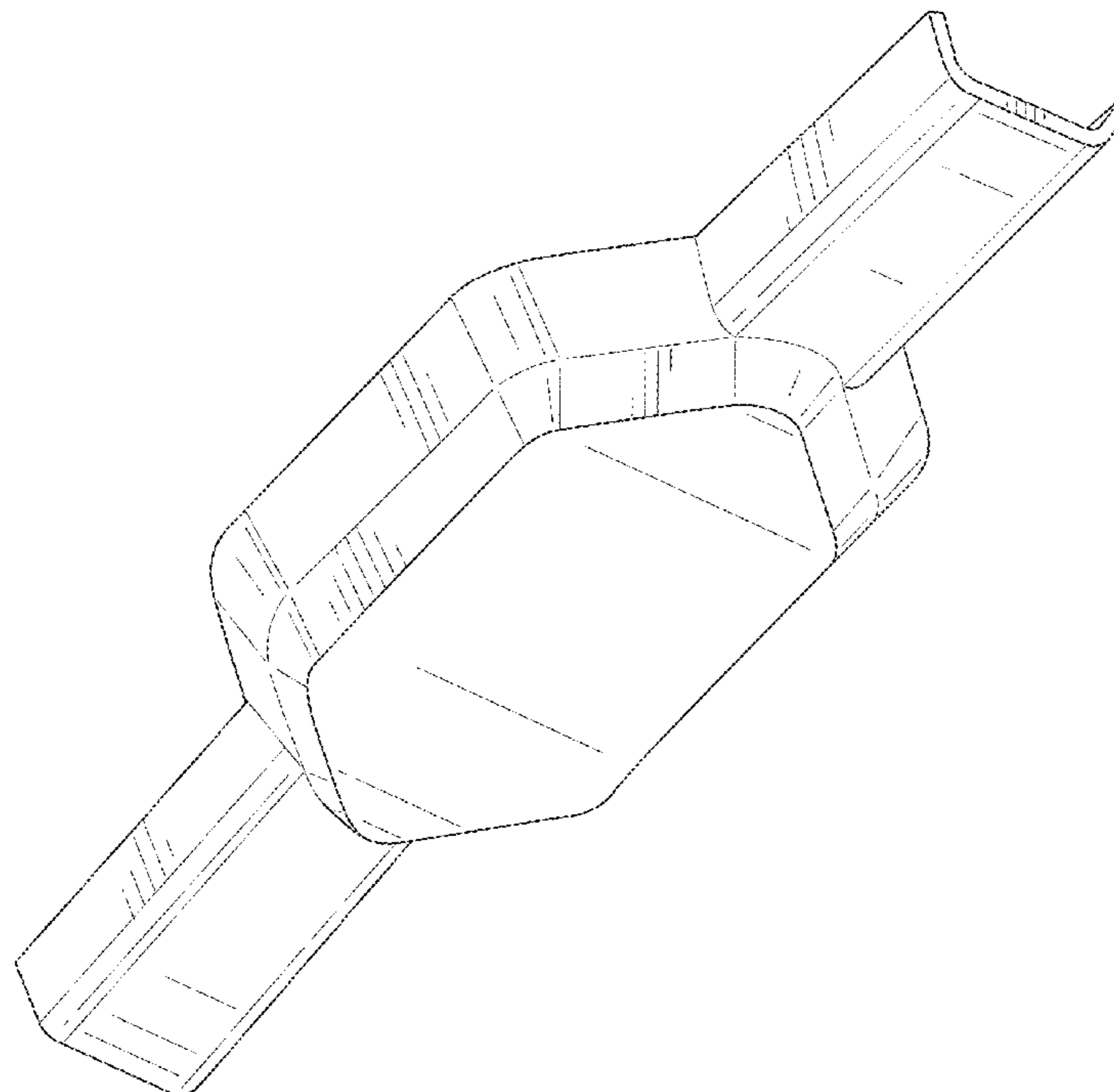
(57) **CLAIM**

The ornamental design for a motor vehicle roof component, as shown and described.

DESCRIPTION

FIG. 1 is a plan view of motor vehicle roof component with environment showing our new design;
FIG. 2 is a perspective view thereof;
FIG. 3 is a plan view thereof;
FIG. 4 is a right-side elevation view thereof, with the left-side view being a mirror image; and,
FIG. 5 is a perspective view thereof with environment.
The broken line showing the motor vehicle roof is provided for the purpose of illustrating environmental structure and forms no part of the claimed design.

1 Claim, 5 Drawing Sheets



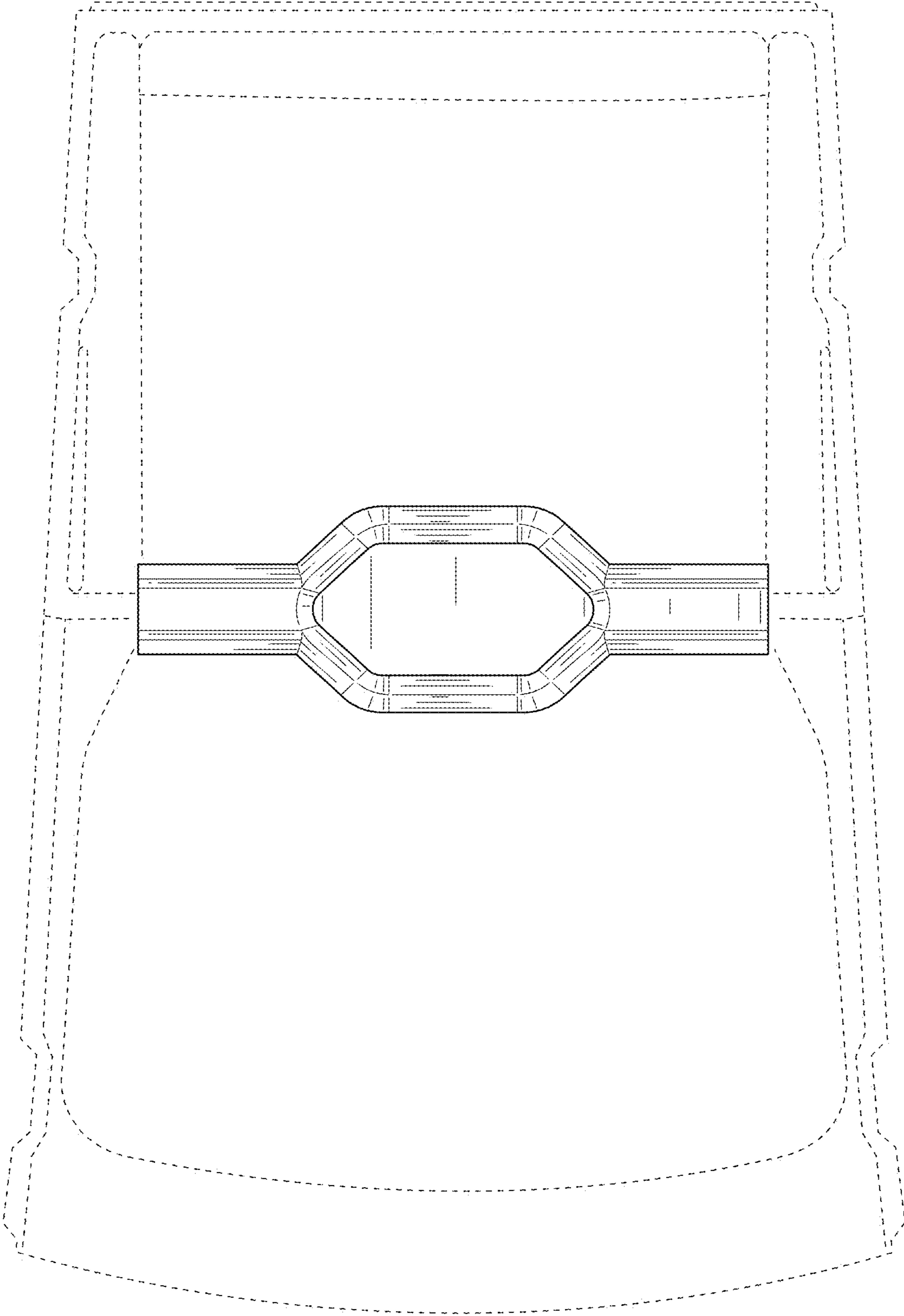


FIG. 1

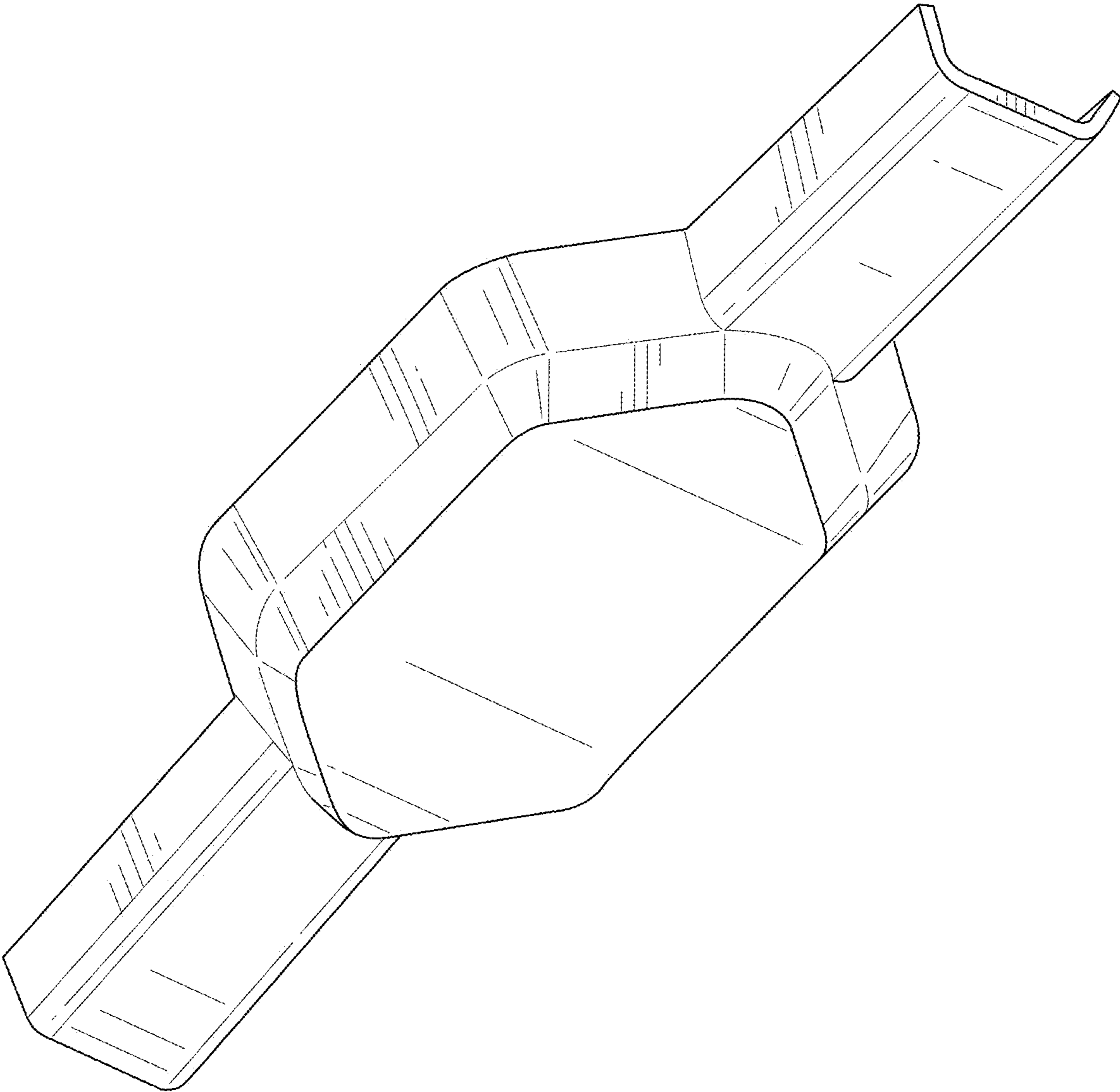


FIG. 2

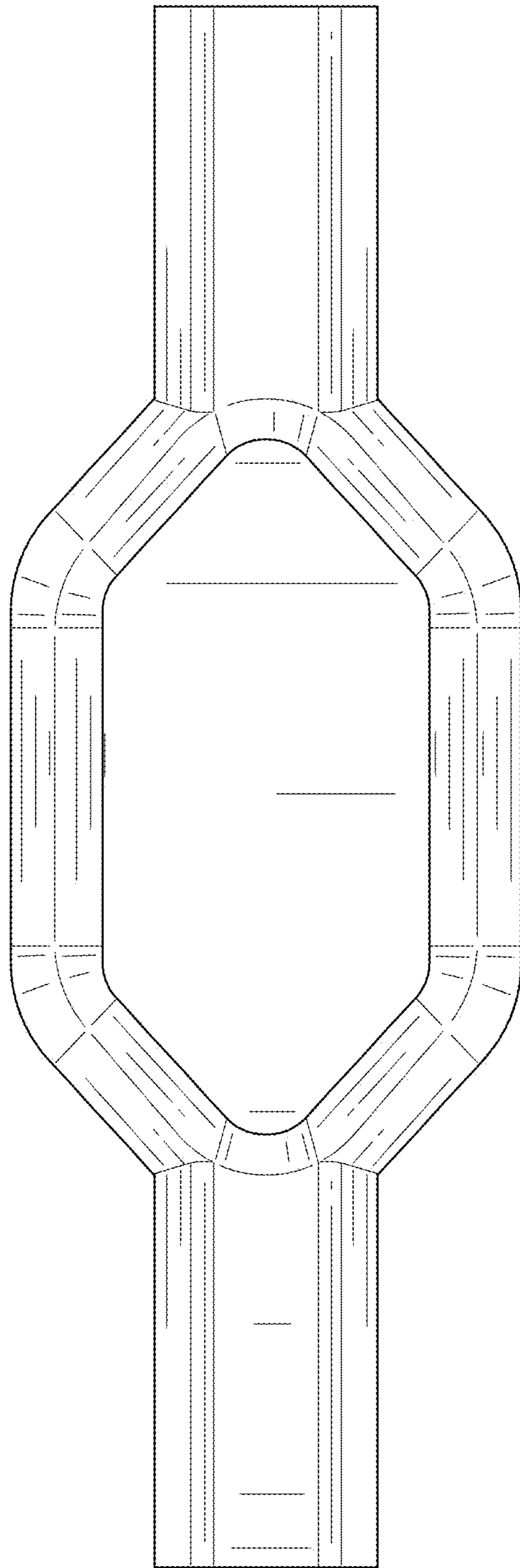


FIG. 3

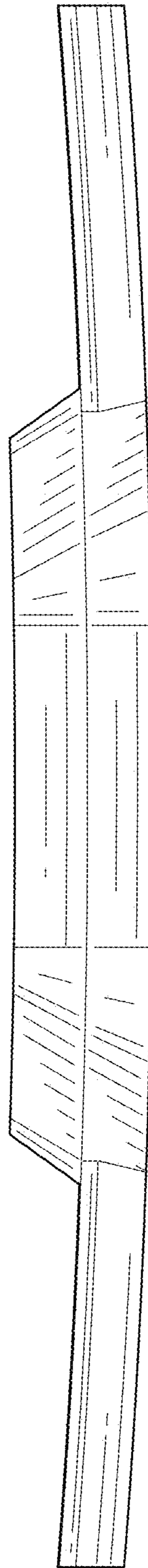


FIG. 4

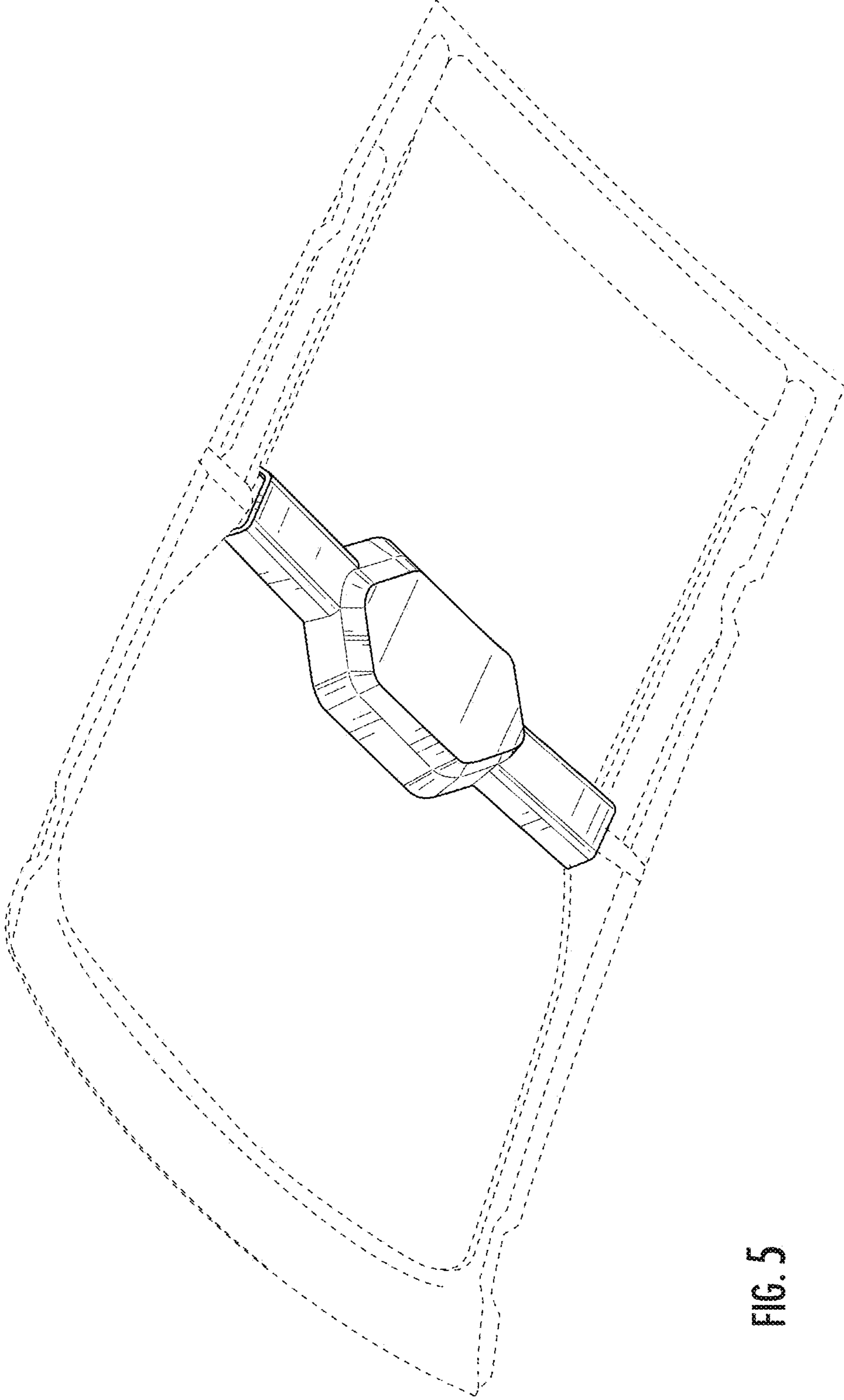


FIG. 5