



US00D970426S

(12) **United States Design Patent**
Chen

(10) **Patent No.:** **US D970,426 S**

(45) **Date of Patent:** **** Nov. 22, 2022**

(54) **TRUCK RACK**

(71) Applicant: **Ideal Ecommerce Corp**, San Jose, CA
(US)

(72) Inventor: **Yan Chen**, Ningbo (CN)

(73) Assignee: **Ideal Ecommerce Corp**, San Jose, CA
(US)

(**) Term: **15 Years**

(21) Appl. No.: **29/817,761**

(22) Filed: **Dec. 3, 2021**

(51) **LOC (13) Cl.** **12-16**

(52) **U.S. Cl.**
USPC **D12/414**

(58) **Field of Classification Search**
USPC D12/406-414; D3/35; D6/317-319,
D6/513-514; D32/58
CPC B62J 9/003; B62J 7/06; B62J 9/001
See application file for complete search history.

(56) **References Cited**

U.S. PATENT DOCUMENTS

D444,446 S *	7/2001	Carter	D12/406
D633,431 S	3/2011	Kennedy et al.		
D639,231 S *	6/2011	Walsh	D12/414
D691,550 S *	10/2013	Moeller	D12/412
D843,922 S *	3/2019	Ting	D12/414
D855,551 S *	8/2019	Shen	D12/412

D856,901 S *	8/2019	Elliott	D12/412
D859,283 S *	9/2019	Adler	D12/412
D869,378 S *	12/2019	Hornsby	D12/412
D869,379 S *	12/2019	Eriksson	D12/414
D902,836 S *	11/2020	Hornsby	D12/412
D931,780 S *	9/2021	Lee	D12/406
D932,418 S *	10/2021	Eriksson	D12/414
D948,411 S *	4/2022	Becker	D12/407

* cited by examiner

Primary Examiner — Katrina A Betton

(74) *Attorney, Agent, or Firm* — Georgi Korobanov

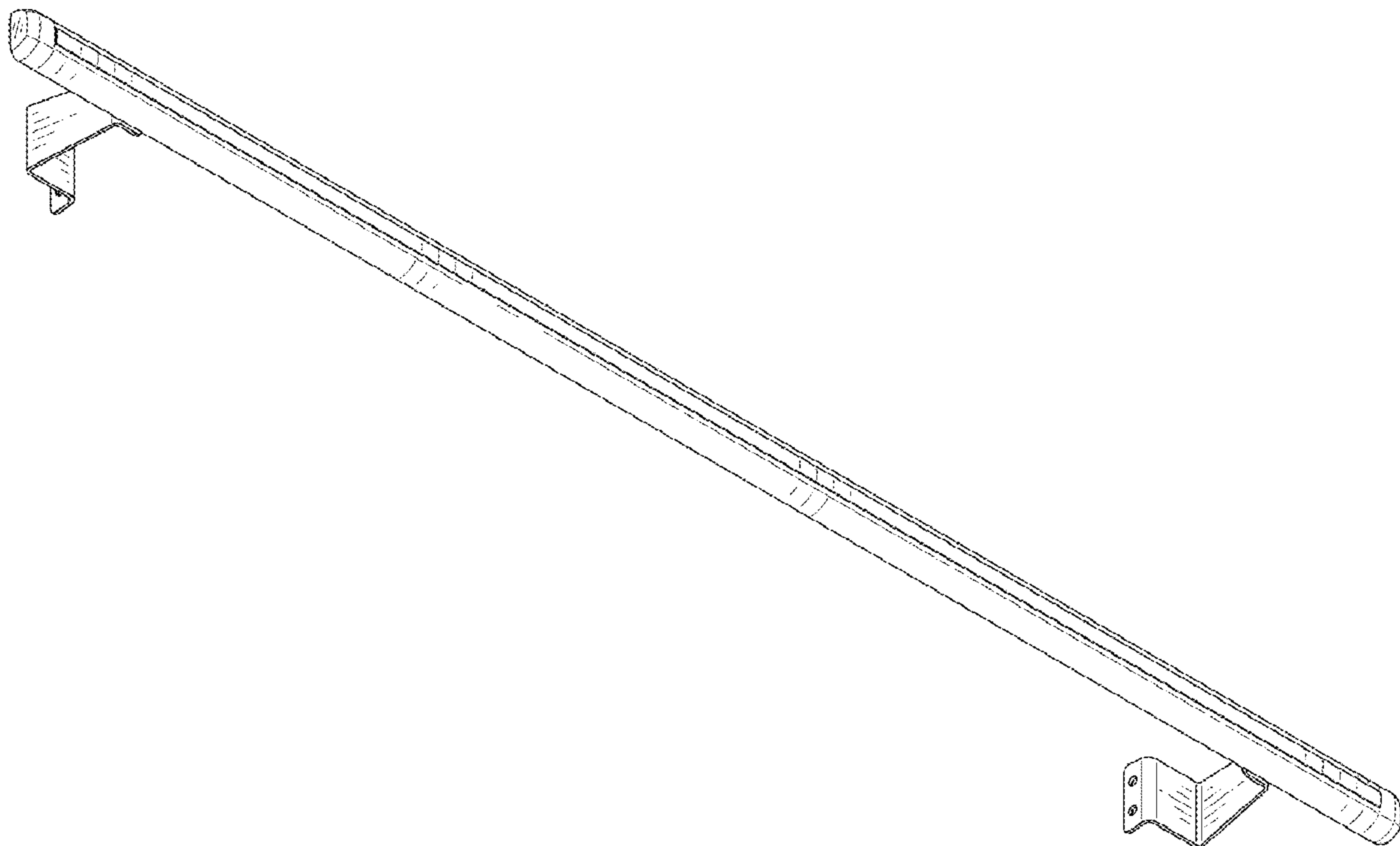
(57) **CLAIM**

The ornamental design for truck rack, as shown and described.

DESCRIPTION

FIG. 1 is a bottom, front and left side perspective view of truck rack, showing my new design;
FIG. 2 is a top, rear and right side perspective view thereof;
FIG. 3 is a front elevational view thereof;
FIG. 4 is a rear elevational view thereof;
FIG. 5 is a left side elevational view thereof;
FIG. 6 is a right side elevational view thereof;
FIG. 7 is a top plan view thereof; and,
FIG. 8 is a bottom plan view thereof.
The broken lines in the drawings illustrate the portions of the truck rack, which form no part of the claimed design.

1 Claim, 8 Drawing Sheets



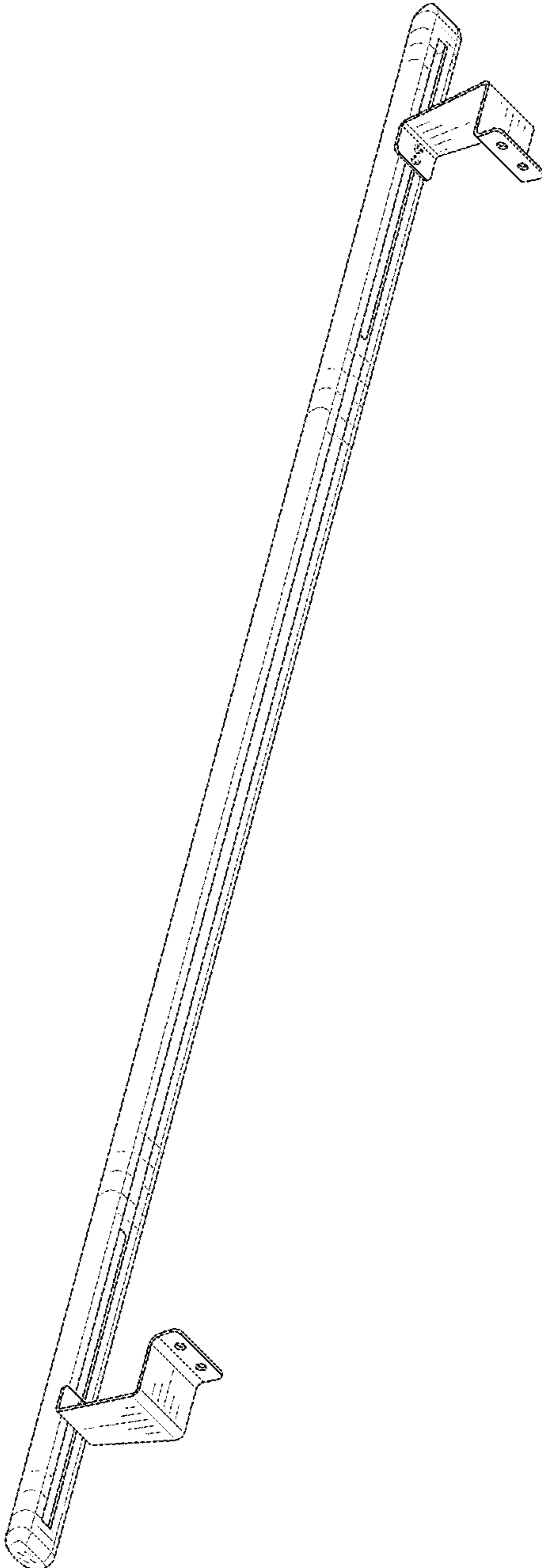


FIG.1

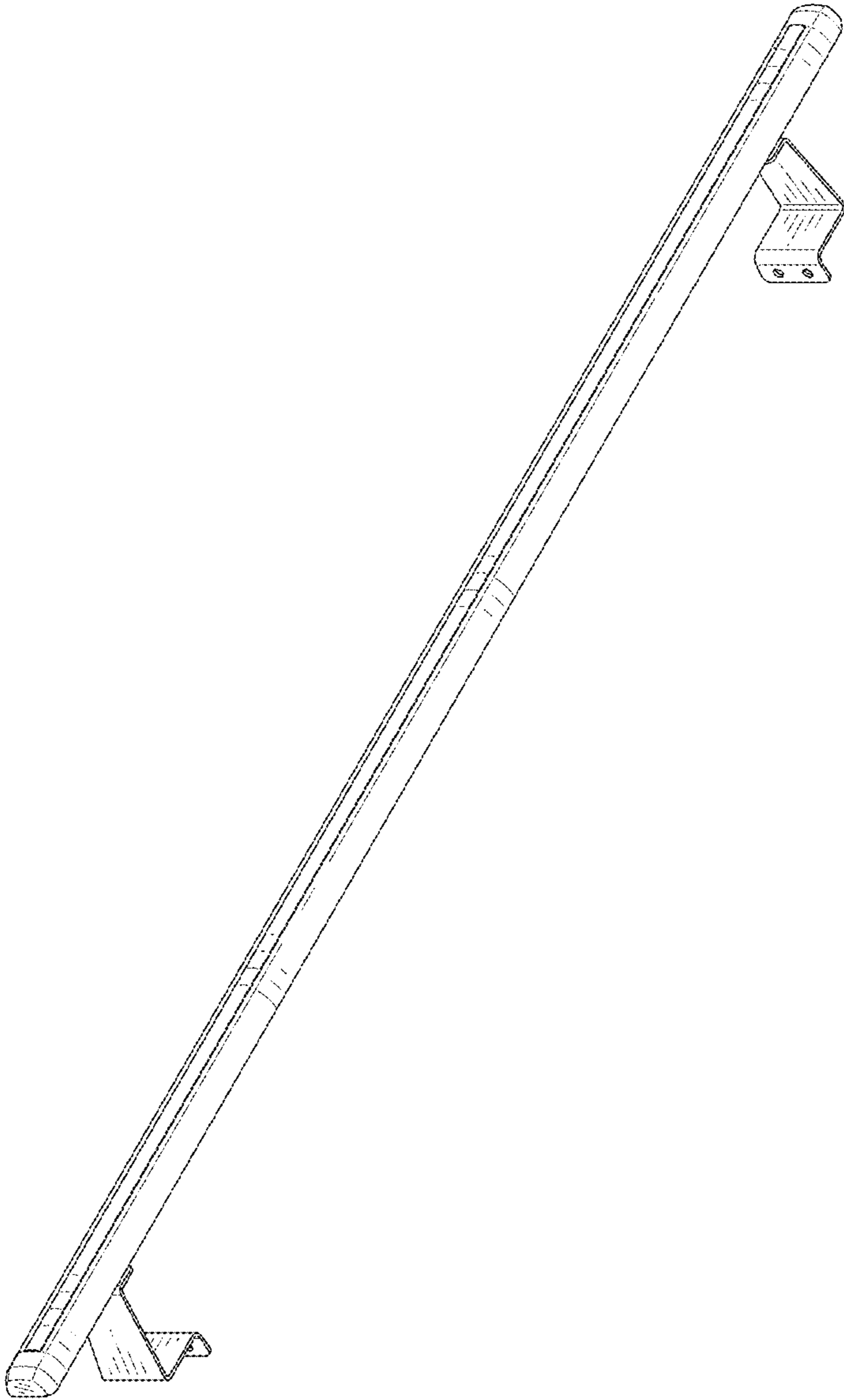


FIG.2

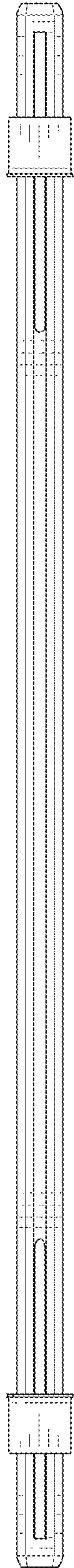


FIG.3

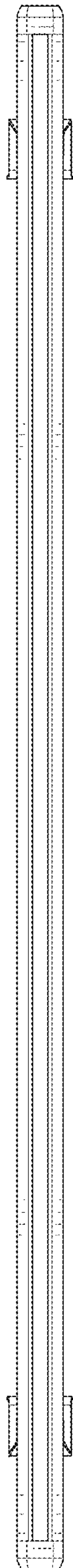


FIG.4

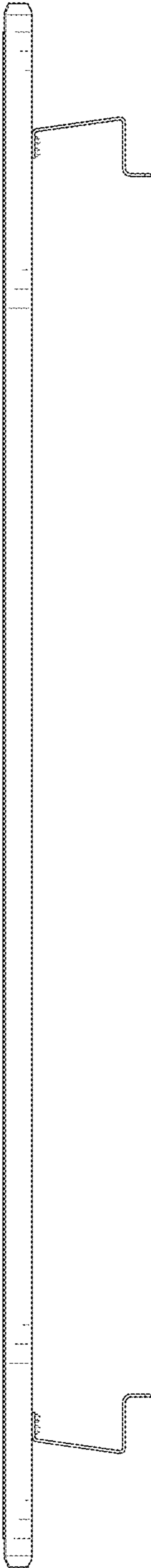


FIG.5

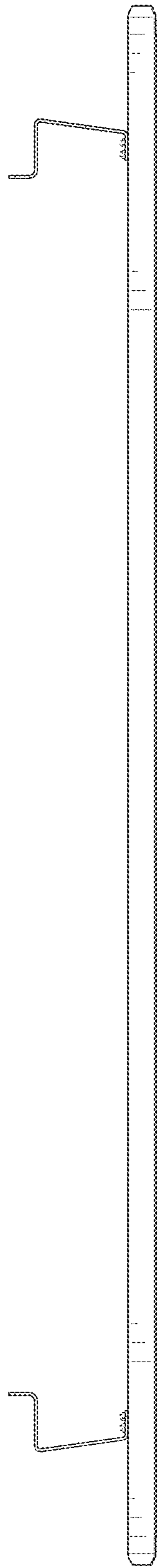


FIG.6



FIG. 7

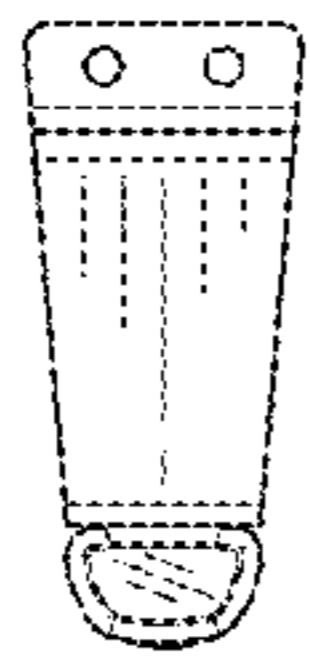


FIG. 8