



US00D970425S

(12) **United States Design Patent**
Yang et al.

(10) **Patent No.:** **US D970,425 S**
(45) **Date of Patent:** **** Nov. 22, 2022**

(54) **U-SHAPED TOOL TYPE**
(71) Applicant: **Guangzhou issyzone Technology Co., Ltd, Guangzhou (CN)**
(72) Inventors: **Taiping Yang, Guangzhou (CN); Zhuo Jia, Guangzhou (CN)**
(**) Term: **15 Years**

6,695,183 B2 * 2/2004 Hancock B60R 11/00
224/558
6,789,712 B2 * 9/2004 Gates B60R 9/048
224/446
6,793,109 B2 * 9/2004 Gates F16M 11/126
224/446
6,889,465 B1 * 5/2005 Holmes F16M 13/00
248/431
D516,402 S * 3/2006 Gates B60R 11/00
D8/71
7,290,690 B2 * 11/2007 Hancock B63B 25/002
224/406

(21) Appl. No.: **29/808,426**

(Continued)

(22) Filed: **Sep. 20, 2021**

(51) **LOC (13) Cl.** **12-16**

(52) **U.S. Cl.**
USPC **D12/408; D8/71; D22/199**

(58) **Field of Classification Search**
USPC D8/71, 354, 499; D12/406, 408;
D22/109, 199
CPC A47B 81/005; B60R 7/14; F41A 23/18;
F41A 23/26; Y10S 224/913
See application file for complete search history.

OTHER PUBLICATIONS

“ATV TEK FFG1 FlexGrip Pro Single Rider Gun—Bow—Tool Rack”, Dec. 7, 2010, Amazon.com, site visited Aug. 13, 2022: <https://www.amazon.com/ATV-Tek-FFG1-FlexGrip-Single/dp/B004FGY6HI> (Year: 2010).*

(Continued)

Primary Examiner — Jack Reickel
Assistant Examiner — Michael A Kervin
(74) *Attorney, Agent, or Firm* — Rumi Ranjit Kanakia

(56) **References Cited**

U.S. PATENT DOCUMENTS

5,344,032 A * 9/1994 Ramsdell A47B 81/005
211/64
D386,298 S * 11/1997 Hancock D12/415
D386,304 S * 11/1997 Hancock D12/406
5,697,181 A * 12/1997 Savant B62J 11/00
224/420
D391,616 S * 3/1998 Plybon D22/199
5,915,572 A * 6/1999 Hancock A47B 81/005
248/222.12
6,382,488 B1 * 5/2002 Hancock F16L 3/10
224/567
6,484,913 B1 * 11/2002 Hancock B60R 7/14
224/446
D476,290 S * 6/2003 Gates A01K 97/10
D12/408
6,588,637 B2 * 7/2003 Gates B60R 7/14
224/558

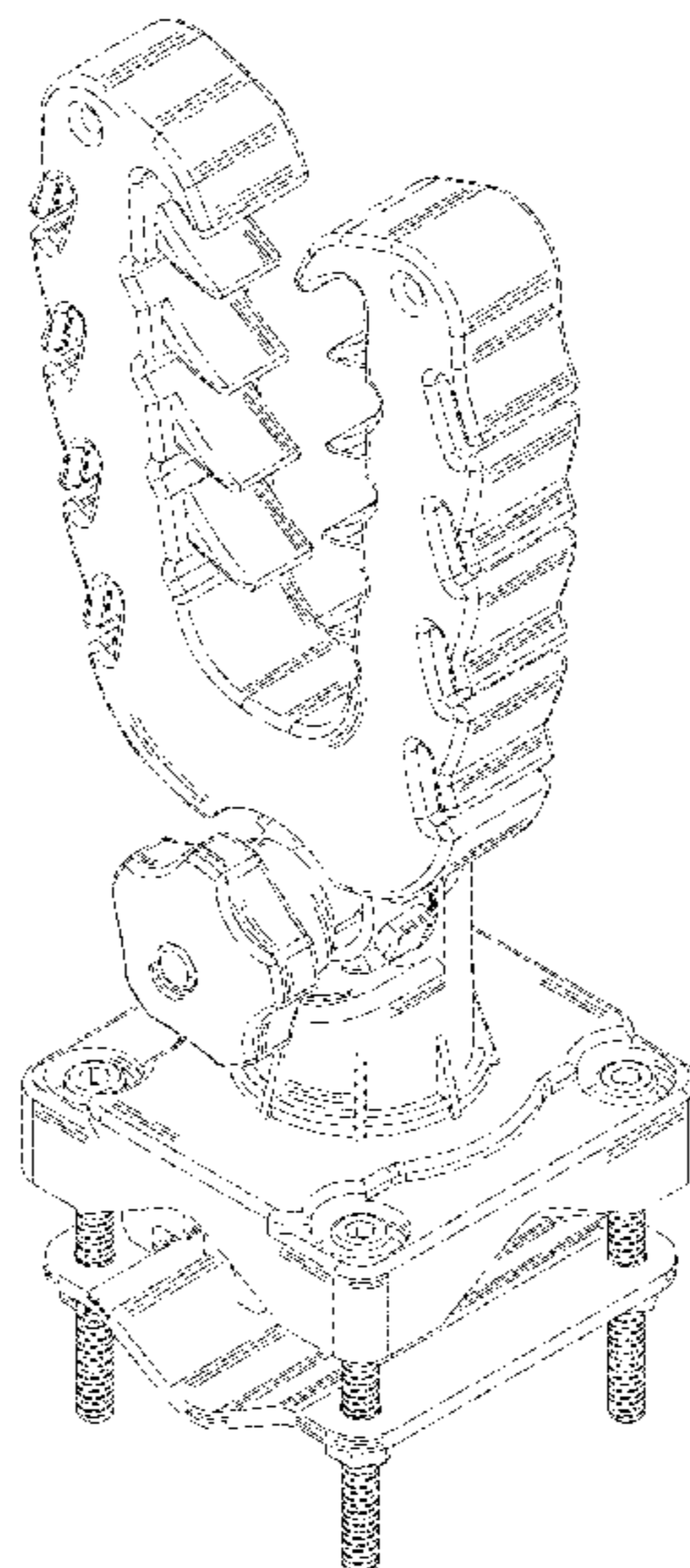
(57) **CLAIM**

We claim the ornamental design for a U-shaped tool type, as shown and described.

DESCRIPTION

FIG. 1 is a Front Perspective view of a U-shaped tool type showing our new design;
FIG. 2 is a Back Perspective view thereof;
FIG. 3 is a Front view thereof;
FIG. 4 is a Back view thereof;
FIG. 5 is a Bottom view thereof;
FIG. 6 is a Top view thereof;
FIG. 7 is a Right-side view thereof; and,
FIG. 8 is a Left-side view thereof.

1 Claim, 8 Drawing Sheets



(56)

References Cited

U.S. PATENT DOCUMENTS

7,290,821 B1 * 11/2007 McCann B60R 7/14
296/64
7,337,934 B2 * 3/2008 Alling F16B 2/10
224/454
7,681,768 B2 * 3/2010 Gates B60R 11/00
248/222.12
7,770,767 B2 * 8/2010 Bartholdy B60R 7/14
89/37.04
D626,620 S * 11/2010 Hicks D22/199
D627,033 S * 11/2010 Hicks D22/199
7,874,533 B1 * 1/2011 Gates F16B 2/065
248/214
D643,500 S * 8/2011 Sanders D22/199
8,109,028 B2 * 2/2012 Roberts F41A 25/04
89/37.04
8,444,034 B2 * 5/2013 Bennett B60R 7/14
224/544
D698,888 S * 2/2014 Hicks D22/199
8,651,289 B2 * 2/2014 Diaz, Jr. A01K 97/08
206/315.11
8,910,560 B2 * 12/2014 Irwin B60R 7/14
42/70.11
D724,916 S 3/2015 Hoang
D737,126 S * 8/2015 Tschan D8/373
D807,719 S 1/2018 Gopi
D813,624 S 3/2018 Gopi

D817,128 S 5/2018 Gopi
D817,129 S 5/2018 Gopi
10,874,212 B2 * 12/2020 Wood A47B 81/005
D911,158 S 2/2021 Jenkins
10,962,321 B2 * 3/2021 Wynalda, Jr. F41A 23/06
10,982,731 B2 * 4/2021 Hancock F16M 13/022
11,091,103 B2 * 8/2021 Winkler B60R 11/06
2003/0042282 A1 * 3/2003 Gates B60R 7/14
224/558
2003/0168484 A1 * 9/2003 Gates A47G 23/0225
224/558
2003/0173388 A1 * 9/2003 Hancock B60R 11/00
224/547
2004/0020954 A1 * 2/2004 Gates B60R 9/048
224/442
2004/0113041 A1 * 6/2004 Hancock F16M 11/041
248/688

OTHER PUBLICATIONS

“UTV Gun Mount—Kolpin Rhino”, Jan. 8, 2019, YouTube.com, site visited Aug. 13, 2022: <https://www.youtube.com/watch?v=YXvChqfBWRc> (Year: 2019).*
“Kemimoto Gun Holder for ATV”, Nov. 30, 2021, Amazon.com, site visited Aug. 13, 2022: <https://www.amazon.com/dp/B09MRJMS92> (Year: 2021).*

* cited by examiner

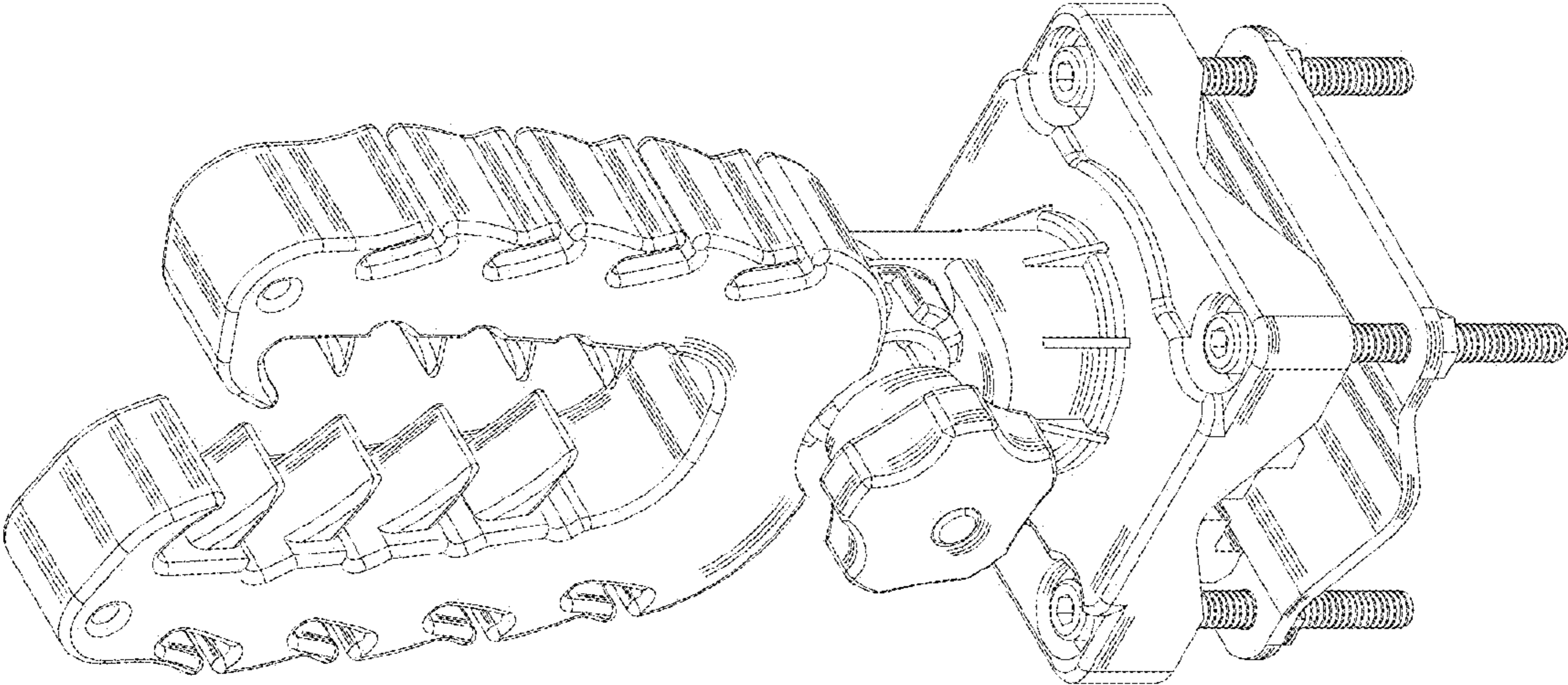


FIG.1

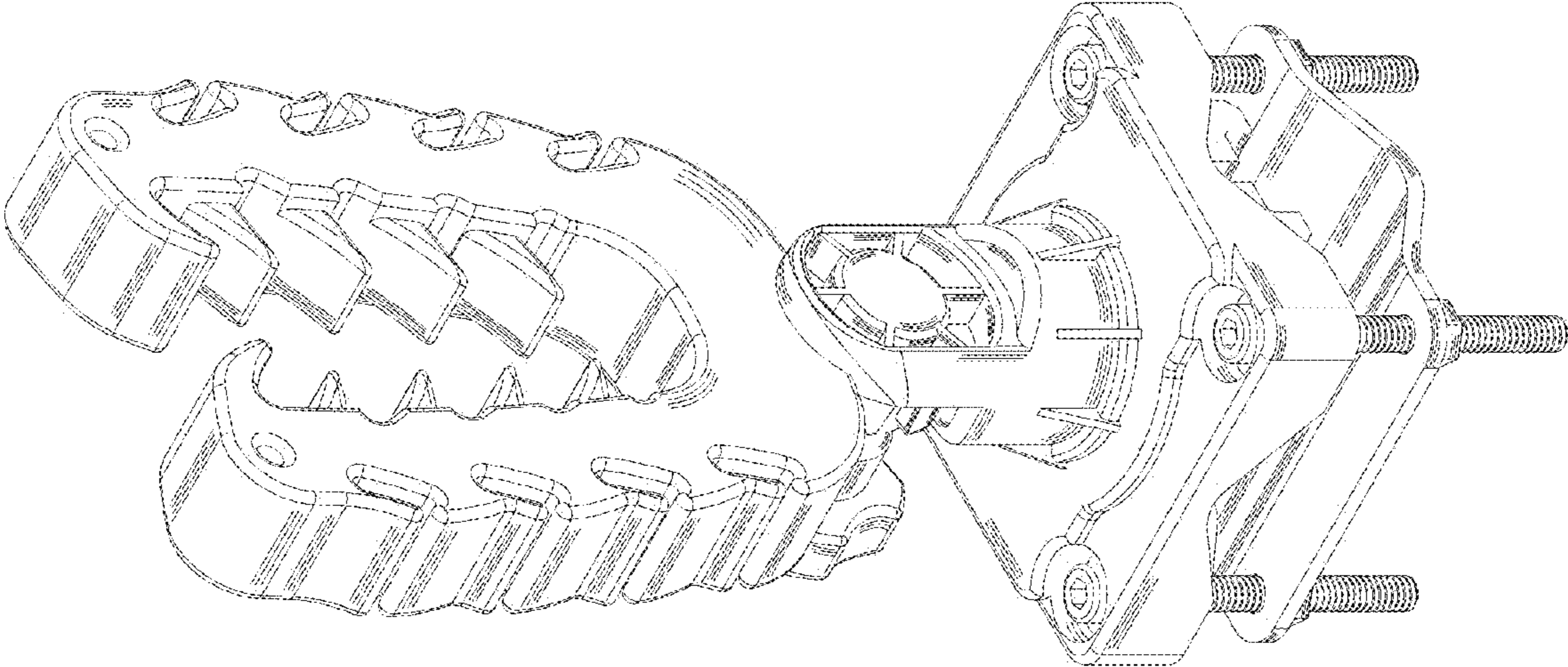


FIG.2

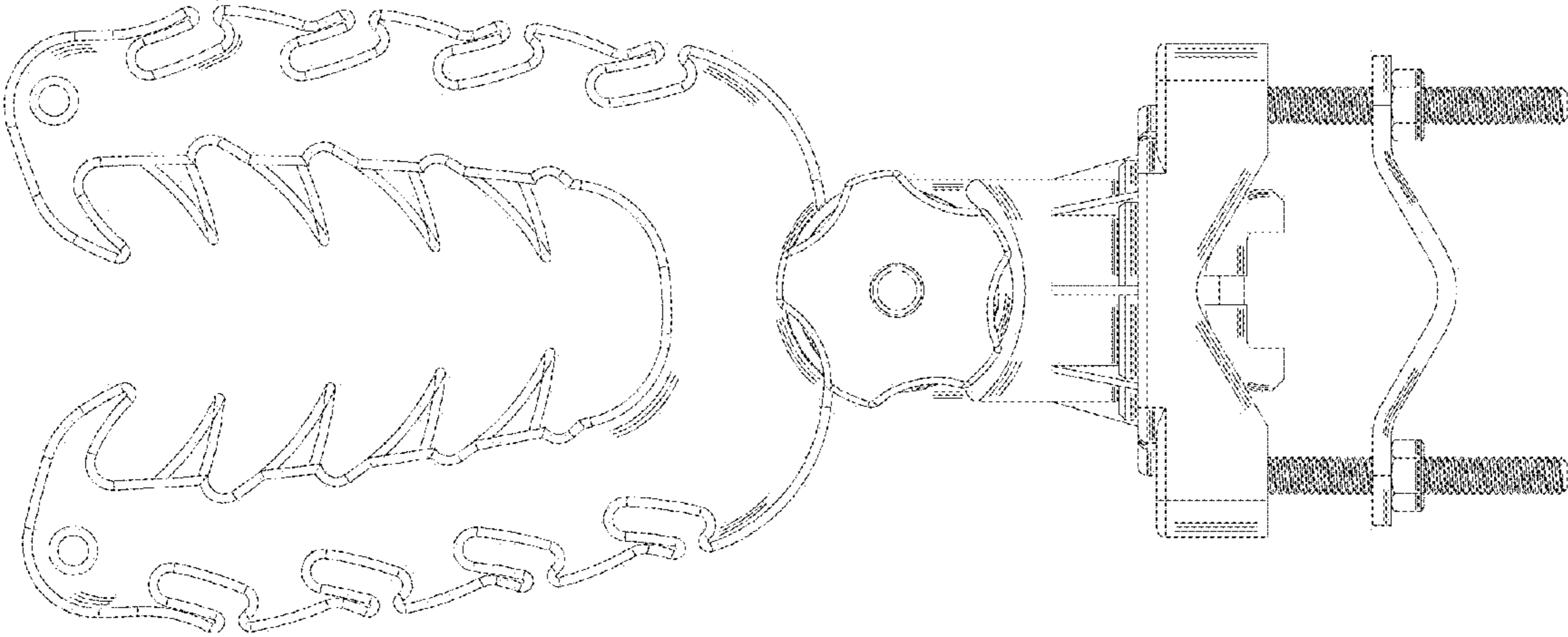


FIG.3

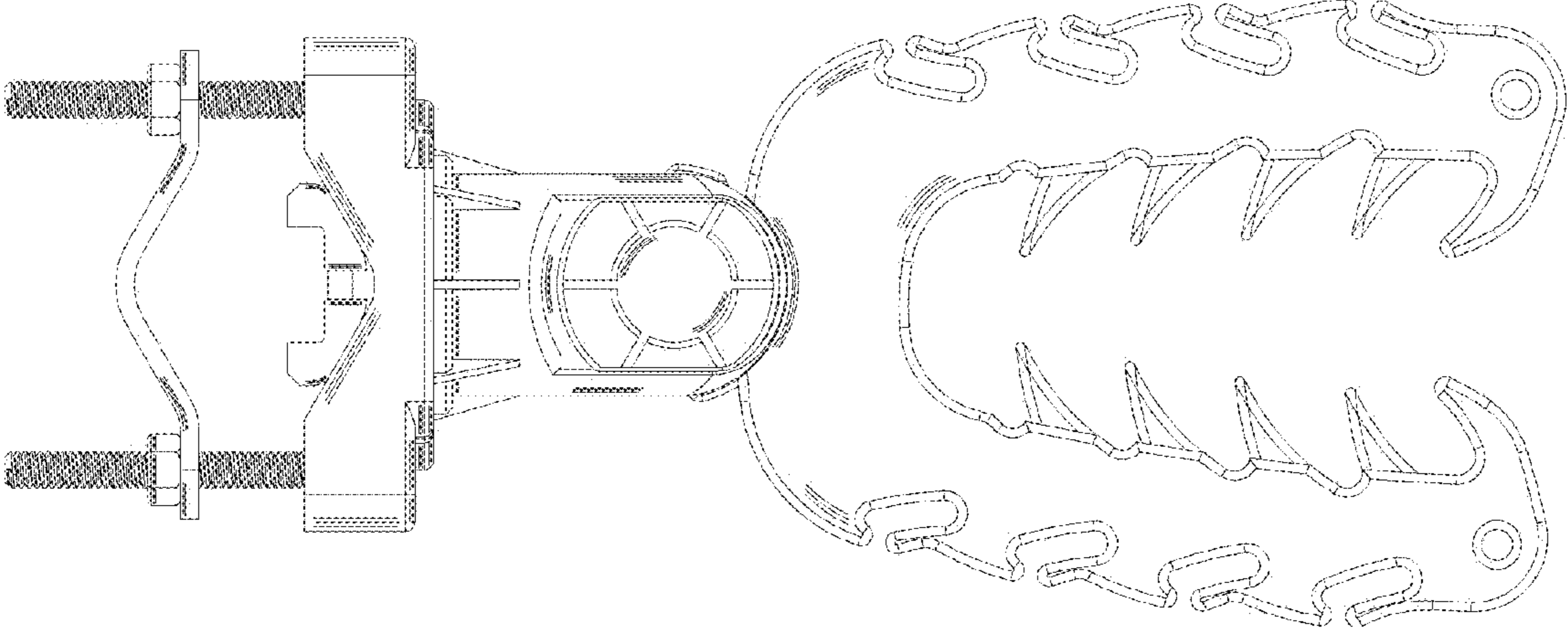


FIG.4

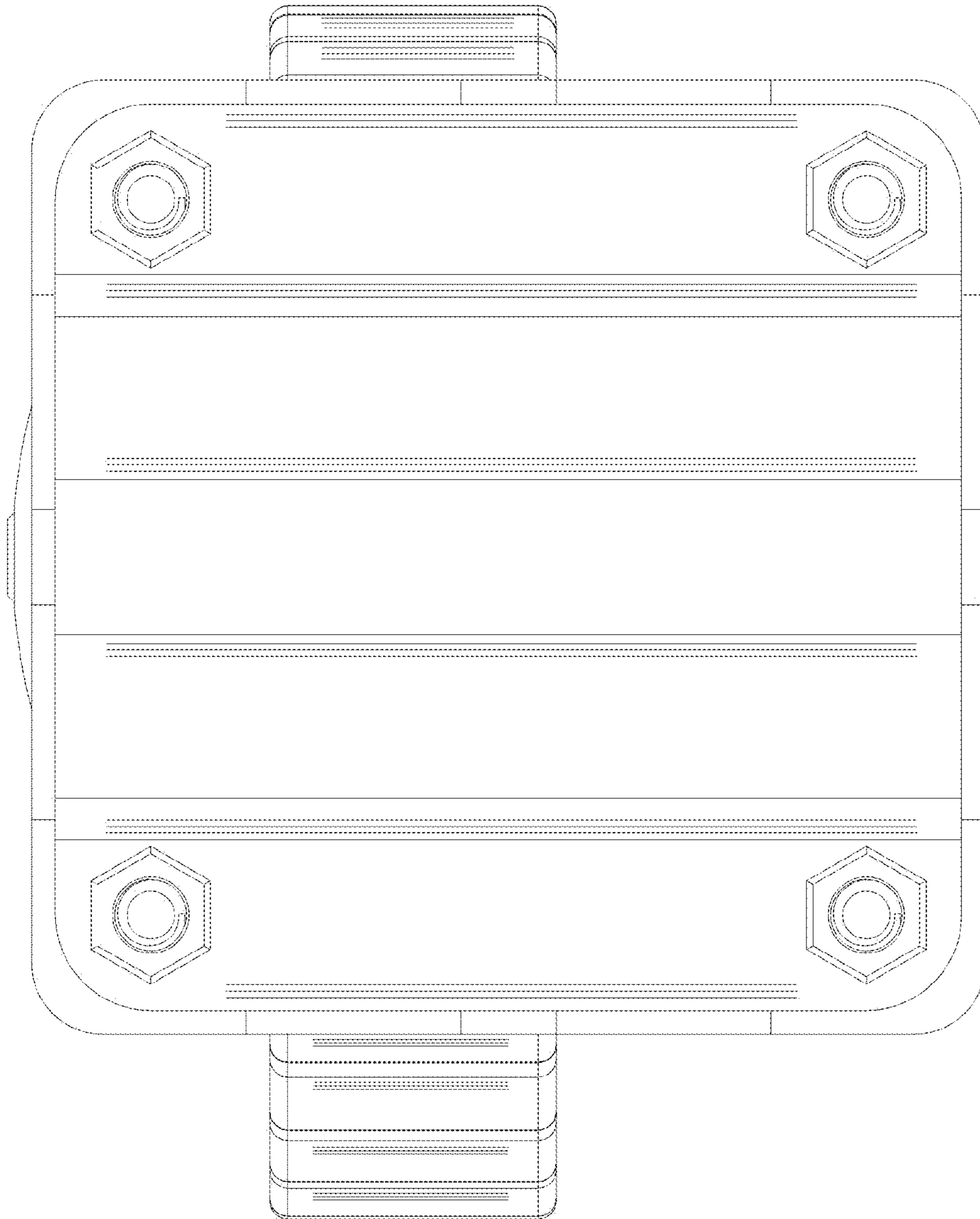


FIG.5

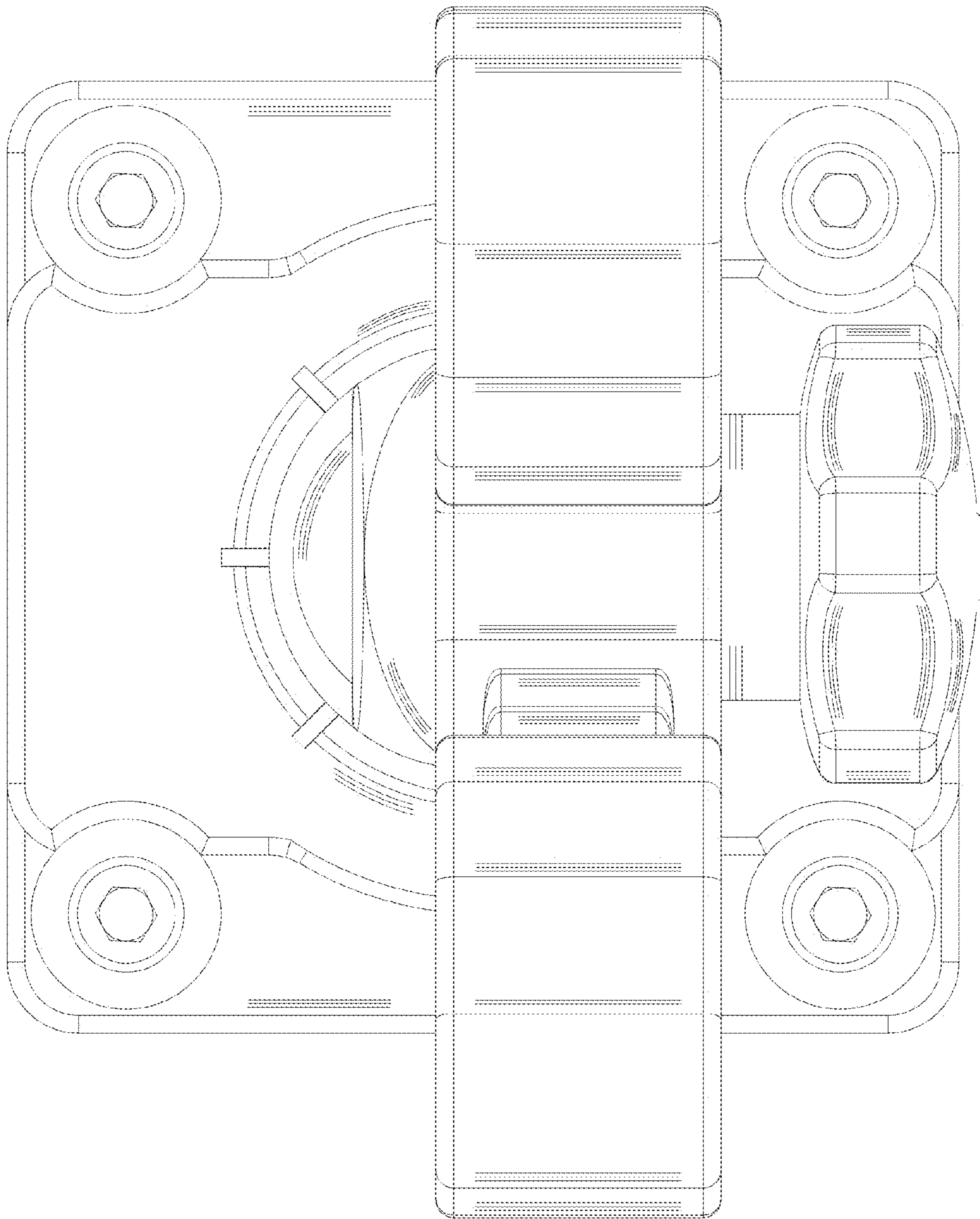


FIG.6

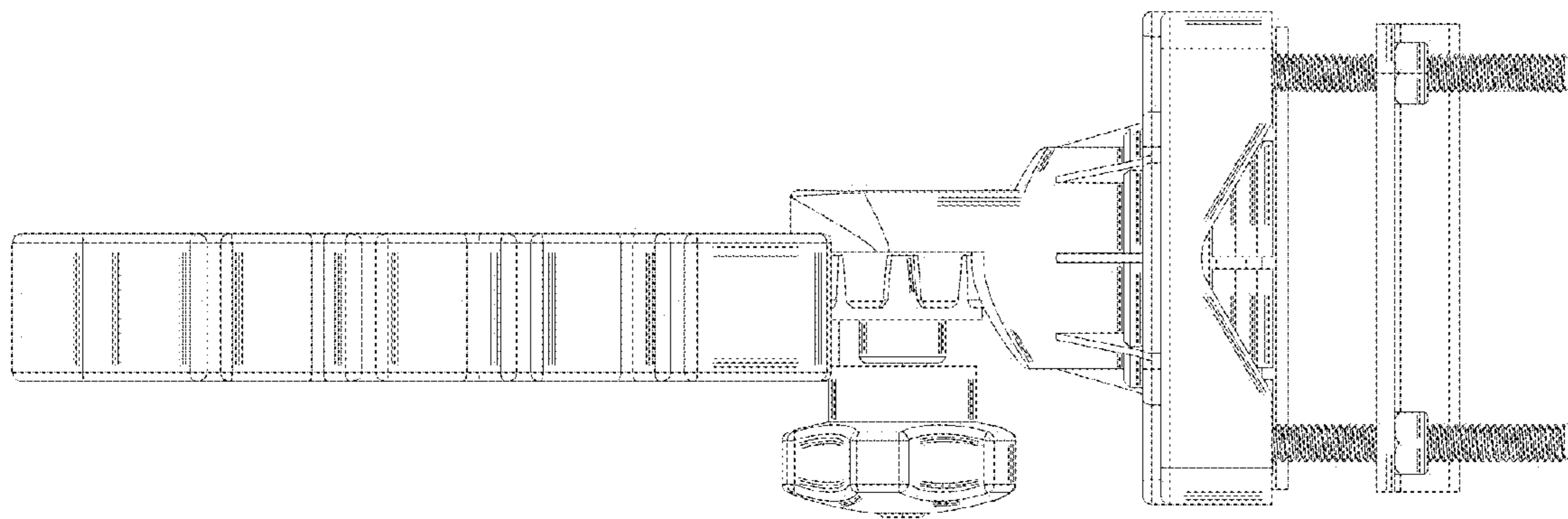


FIG. 7

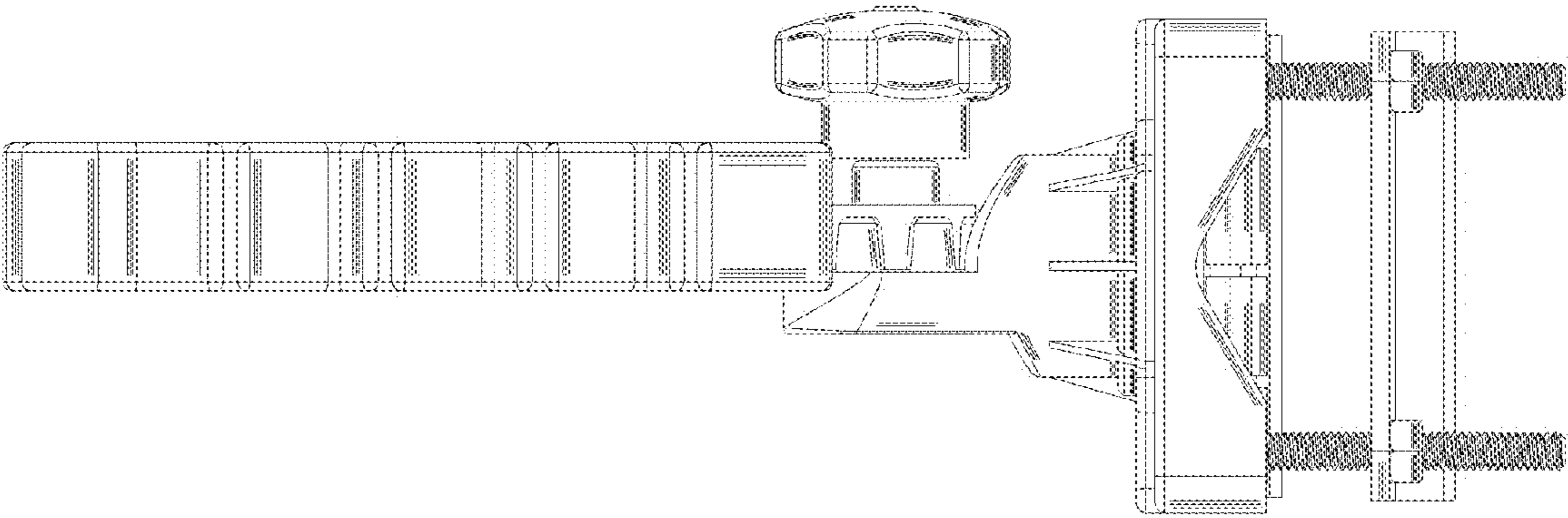


FIG. 8