



US00D970423S

(12) **United States Design Patent** (10) **Patent No.:** **US D970,423 S**  
**Wei et al.** (45) **Date of Patent:** **\*\* Nov. 22, 2022**

(54) **POWER FLOATING BOARD**  
(71) Applicant: **Deepinfar Ocean Technology Inc.,**  
Tianjin (CN)  
(72) Inventors: **Jianchang Wei, Tianjin (CN);**  
**Chunjiang Tian, Tianjin (CN); Yan**  
**Dong, Tianjin (CN)**  
(73) Assignee: **Deepinfar Ocean Technology Inc.,**  
Tianjin (CN)  
(\*\*) Term: **15 Years**  
(21) Appl. No.: **29/697,367**  
(22) Filed: **Jul. 8, 2019**  
(51) **LOC (13) Cl.** ..... **12-06**  
(52) **U.S. Cl.**  
USPC ..... **D12/308**  
(58) **Field of Classification Search**  
USPC ..... D12/308, 317; D21/545, 801  
CPC ..... B63C 11/00; B63C 11/02; B63C 11/36;  
B63C 11/46; B63C 11/48; B63C 11/49;  
B63C 2011/028; B63G 8/00; B63G  
8/001; B63G 8/002; B63G 8/08; B63G  
8/41; B63G 8/42; B63B 2008/002; B63B  
2008/004; B63B 3/13; B63B 1/107  
See application file for complete search history.

D860,331 S \* 9/2019 Zheng ..... D12/308  
D869,374 S \* 12/2019 Chen ..... D12/308  
D923,548 S \* 6/2021 Chen ..... D12/308  
D941,225 S \* 1/2022 Kojima ..... D12/308  
11,255,998 B2 \* 2/2022 Postic ..... B63G 8/001  
2018/0222560 A1 \* 8/2018 Postic ..... B63G 8/001  
2020/0398956 A1 \* 12/2020 Fuqua ..... B63H 5/125

\* cited by examiner  
*Primary Examiner* — Cynthia M. Chin  
(74) *Attorney, Agent, or Firm* — Young Basile Hanlon &  
MacFarlane, P.C.

(57) **CLAIM**

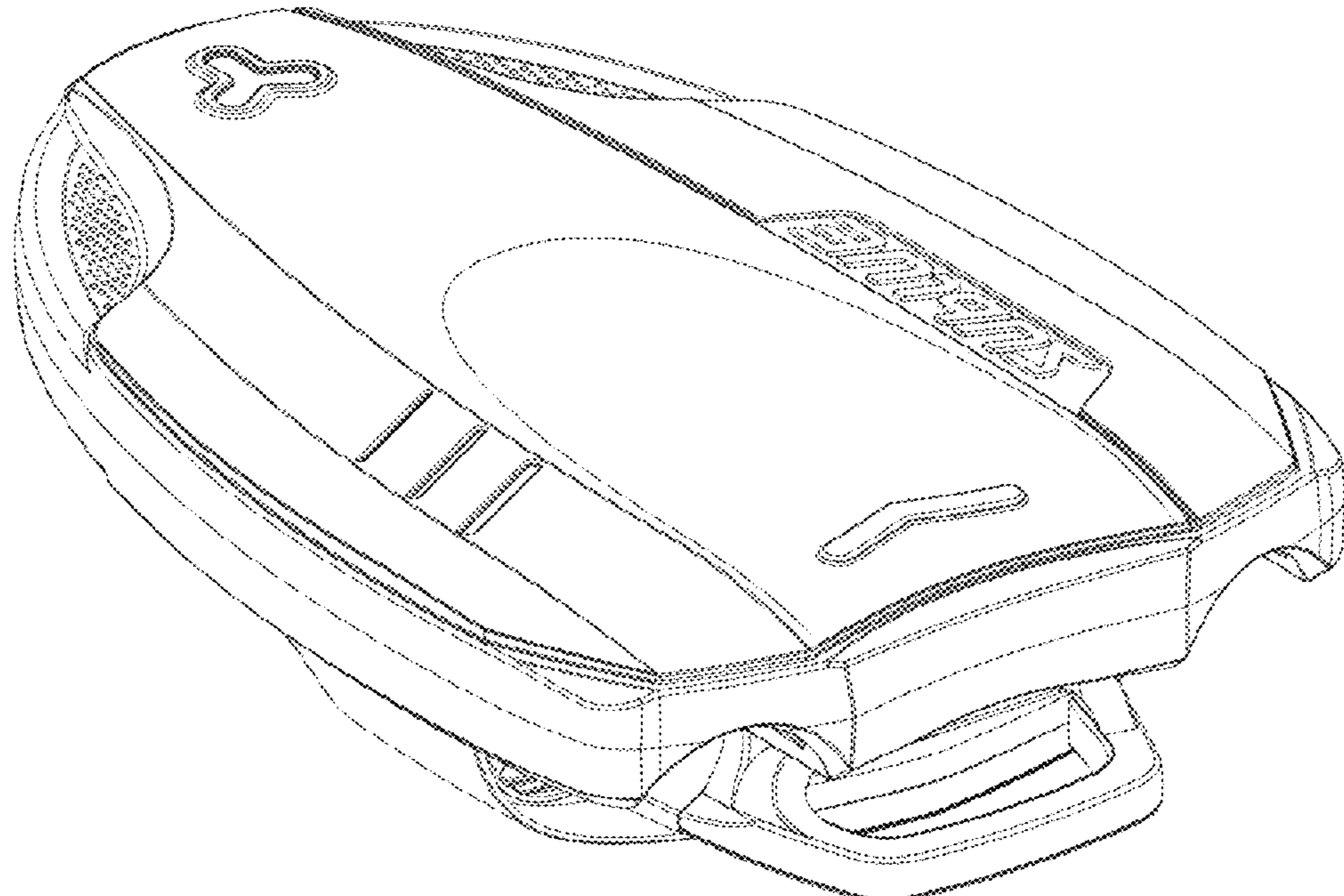
The ornamental design for a power floating board, as shown and described.

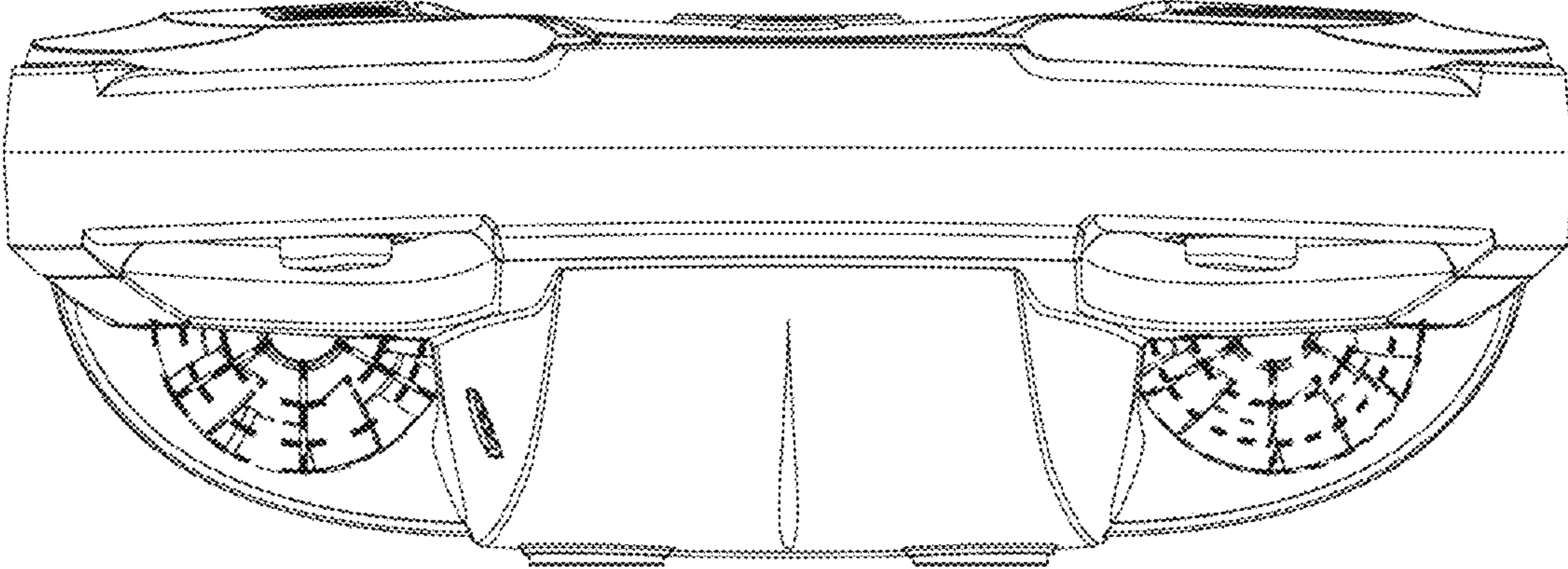
**DESCRIPTION**

FIG. 1 is a front view of the power floating board showing our new design.  
FIG. 2 is a rear view of the power floating board of FIG. 1.  
FIG. 3 is a left side view of the power floating board of FIG. 1.  
FIG. 4 is a right side view of the power floating board of FIG. 1.  
FIG. 5 is a top view of the power floating board of FIG. 1.  
FIG. 6 is a bottom view of the power floating board of FIG. 1; and,  
FIG. 7 is a top, rear, and right perspective view of the power floating board of FIG. 1.  
The ornamental design which is claimed is shown in solid lines in the drawings. The broken lines are for the purpose of illustrating portions of the article that form no part of the claim.

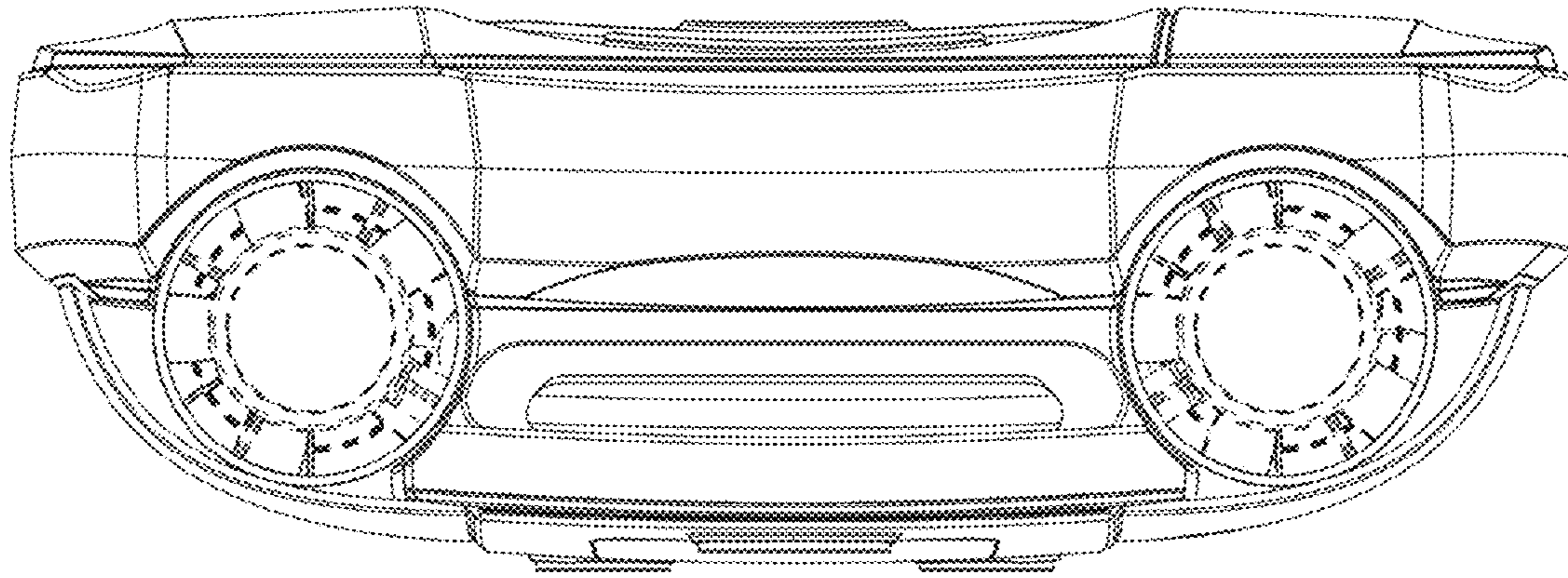
**1 Claim, 7 Drawing Sheets**

(56) **References Cited**  
U.S. PATENT DOCUMENTS  
5,399,111 A \* 3/1995 Kobayashi ..... B63B 34/10  
114/55.58  
9,694,874 B1 \* 7/2017 Stackpole ..... B63B 22/00  
9,873,495 B2 \* 1/2018 Stone ..... B63G 8/001  
9,896,159 B1 \* 2/2018 Stackpole ..... B63B 22/00

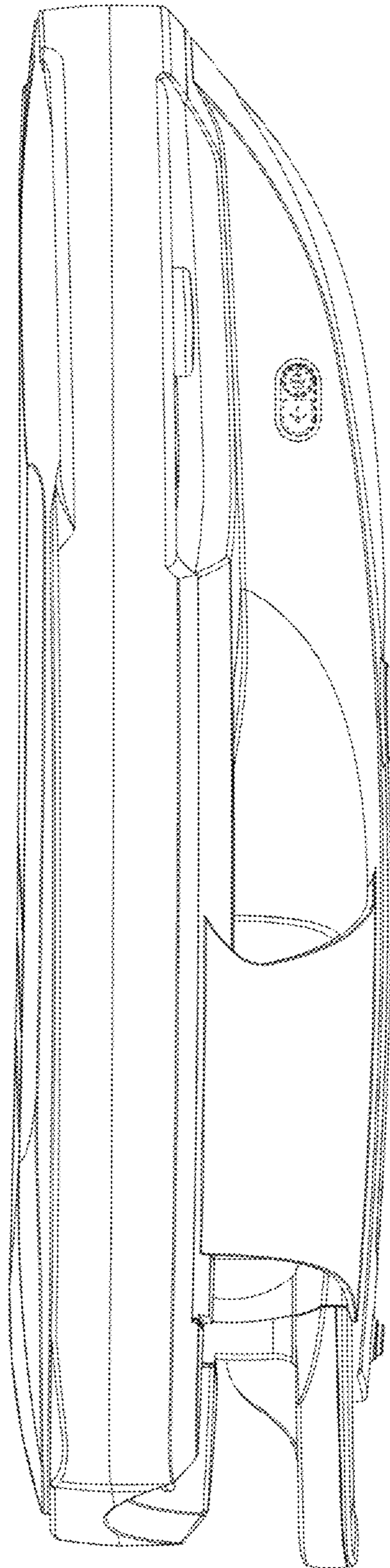




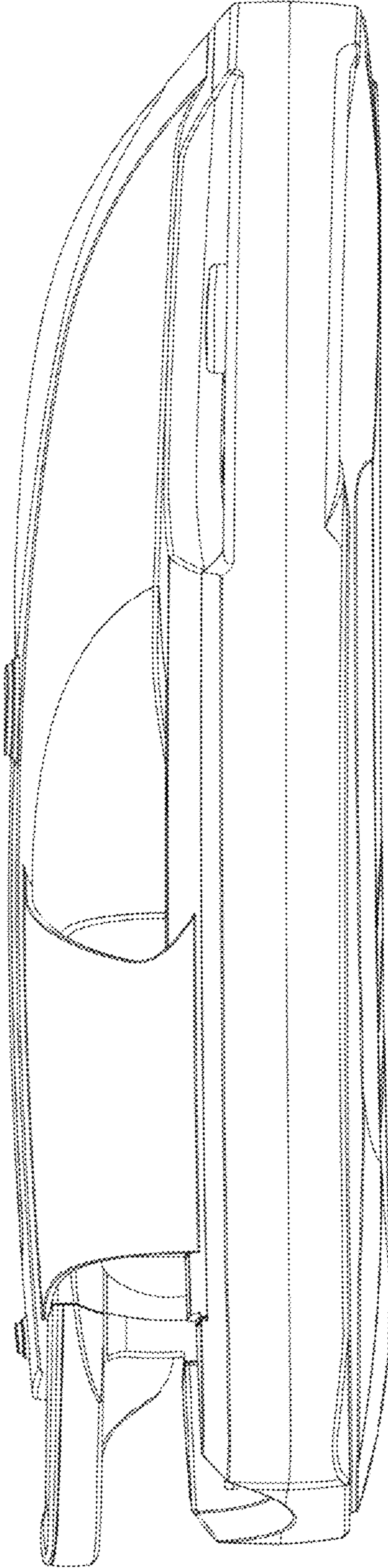
**FIG. 1**



**FIG. 2**



**FIG. 3**



**FIG. 4**

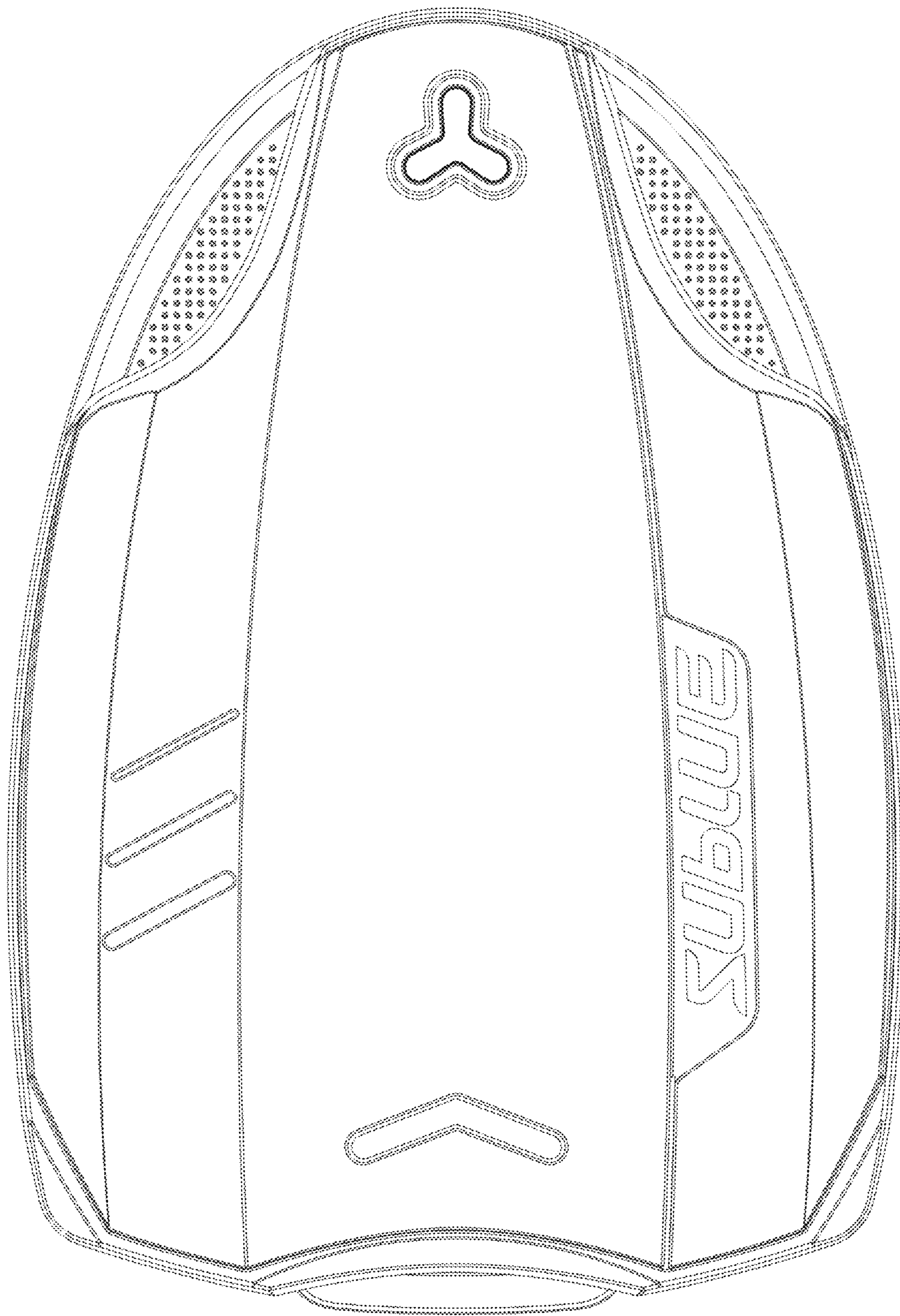
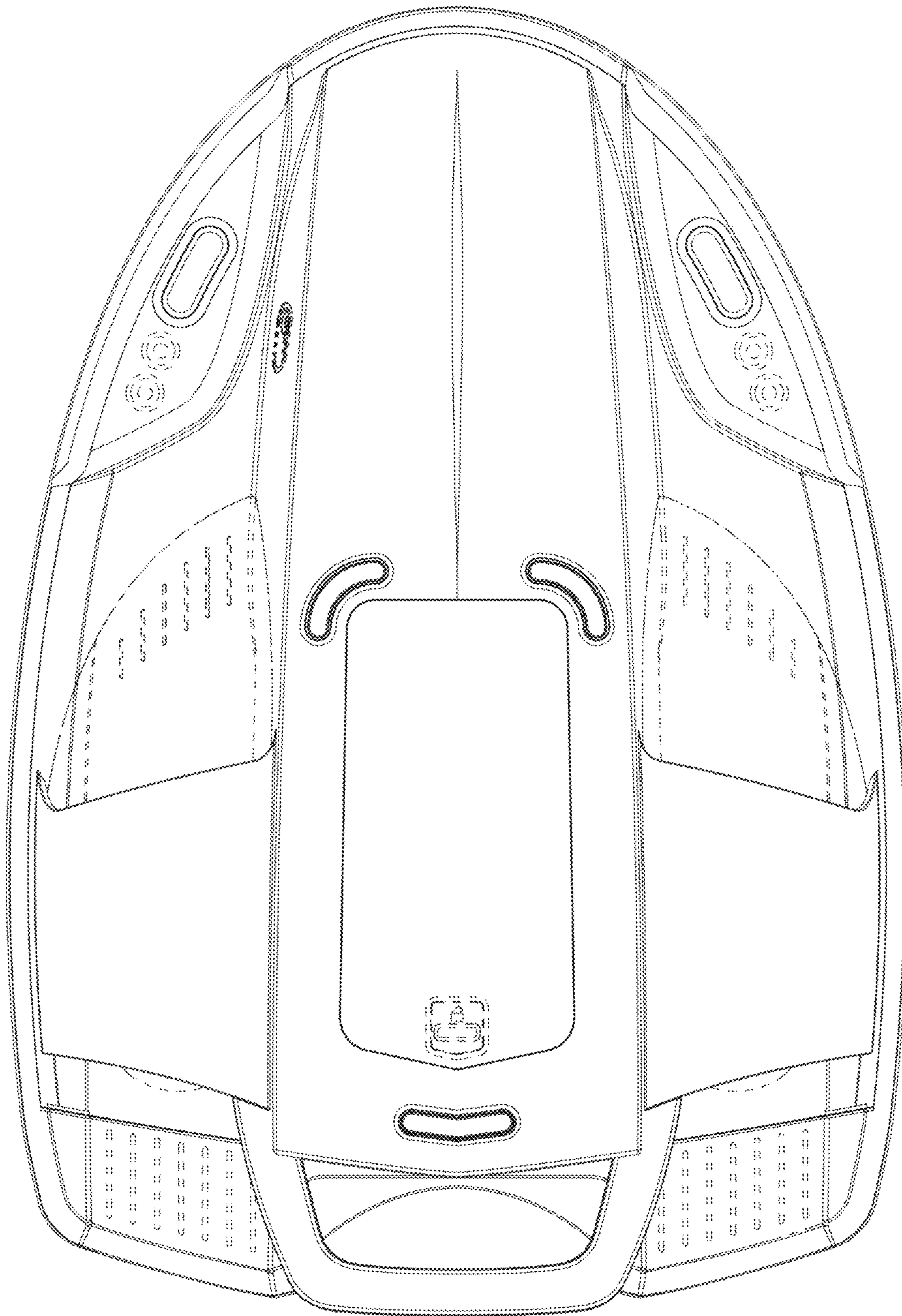
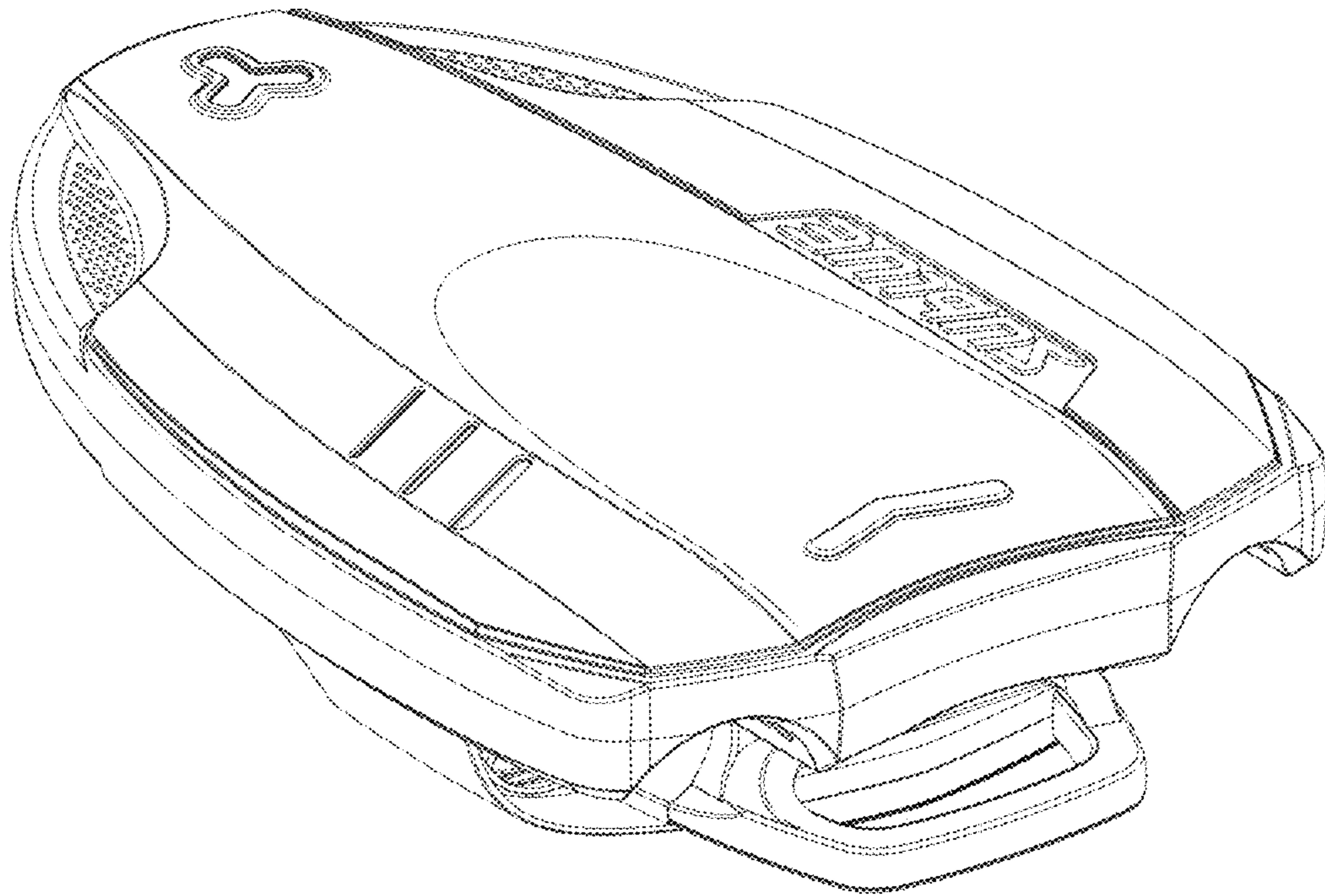


FIG. 5



**FIG. 6**



**FIG. 7**