



US00D970422S

(12) **United States Design Patent**
Lu

(10) **Patent No.:** **US D970,422 S**

(45) **Date of Patent:** **** Nov. 22, 2022**

(54) **CHOCK WHEEL STABILIZER**

(71) Applicant: **Changyuan Lu, Zhaoqing (CN)**

(72) Inventor: **Changyuan Lu, Zhaoqing (CN)**

(**) Term: **15 Years**

(21) Appl. No.: **29/804,686**

(22) Filed: **Aug. 23, 2021**

(51) **LOC (13) Cl.** **12-16**

(52) **U.S. Cl.**
USPC **D12/217**

(58) **Field of Classification Search**
USPC D12/217; D8/830
See application file for complete search history.

(56) **References Cited**

U.S. PATENT DOCUMENTS

4,715,480	A *	12/1987	Anderson	B60T 3/00 188/74
D347,821	S *	6/1994	Few	D12/217
D535,176	S *	1/2007	Joiner	D8/343
8,365,875	B2 *	2/2013	Garceau	B60T 3/00 254/122
8,499,899	B2 *	8/2013	Scott	B60T 3/00 188/4 R
D775,579	S	1/2017	Hughes		
9,610,924	B1 *	4/2017	Searer	B60T 3/00
D801,152	S	10/2017	Bishop		
D853,937	S	7/2019	Hubley		
D859,278	S	9/2019	White		
D873,196	S	1/2020	Harrington		
D926,104	S	7/2021	Nichols		

D959,350	S *	8/2022	Lu	B60P 3/077 D12/217
2010/0140026	A1 *	6/2010	Garceau	B60P 3/077 188/69
2021/0362694	A1 *	11/2021	Lu	B60T 3/00

OTHER PUBLICATIONS

Amazon.com, Mahler Gates X-shaped wheel chocks stabilizer, reviewed Mar. 2021, online product page, retrieved Aug. 26, 2022 from <URL:https://www.amazon.com/MAHLER-GATES-Stabilizer-Stabilizers-Integrated/dp/B08R9DC4BN#customerReviews> (Year: 2021).*

* cited by examiner

Primary Examiner — Calvin E Vansant

(74) *Attorney, Agent, or Firm* — Rumit Ranjit Kanakia

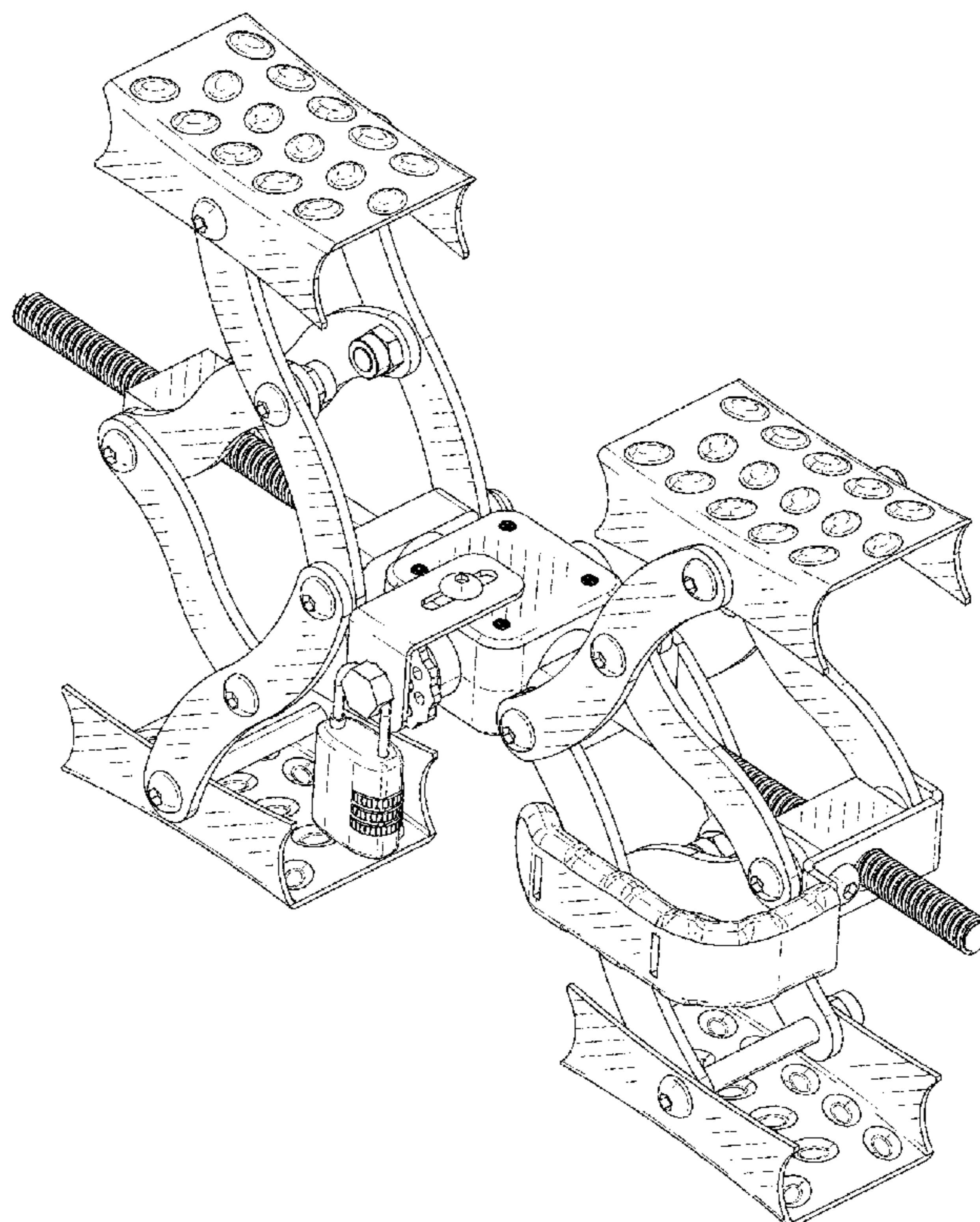
(57) **CLAIM**

I claim the ornamental design for a chock wheel stabilizer, as shown and described.

DESCRIPTION

FIG. 1 is a Perspective view of a chock wheel stabilizer showing my new design;
FIG. 2 is a Front view thereof;
FIG. 3 is a Back view thereof;
FIG. 4 is a Left-side view thereof;
FIG. 5 is a Right-side view thereof;
FIG. 6 is a Top view thereof; and,
FIG. 7 is a Bottom view thereof.

1 Claim, 7 Drawing Sheets



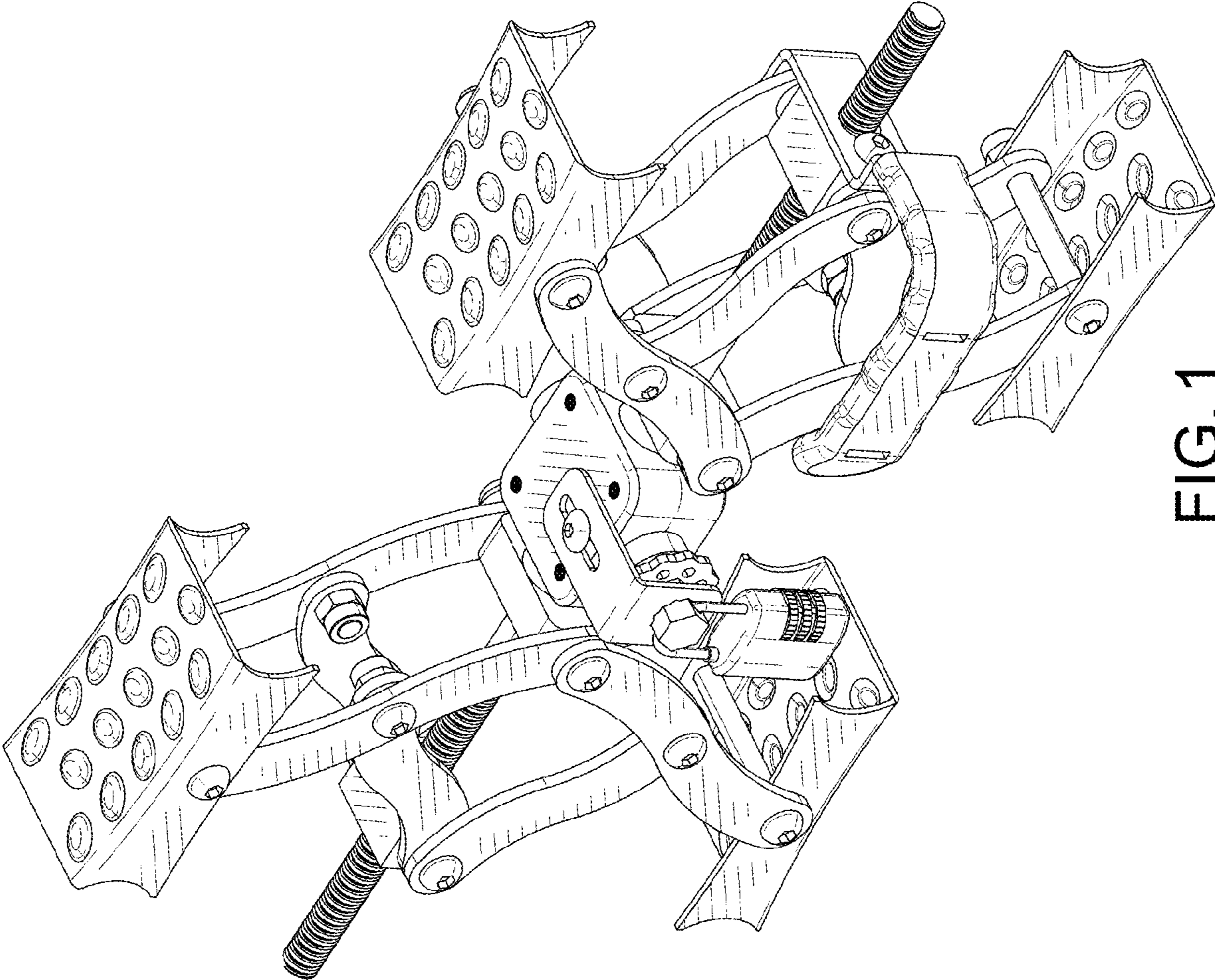


FIG. 1

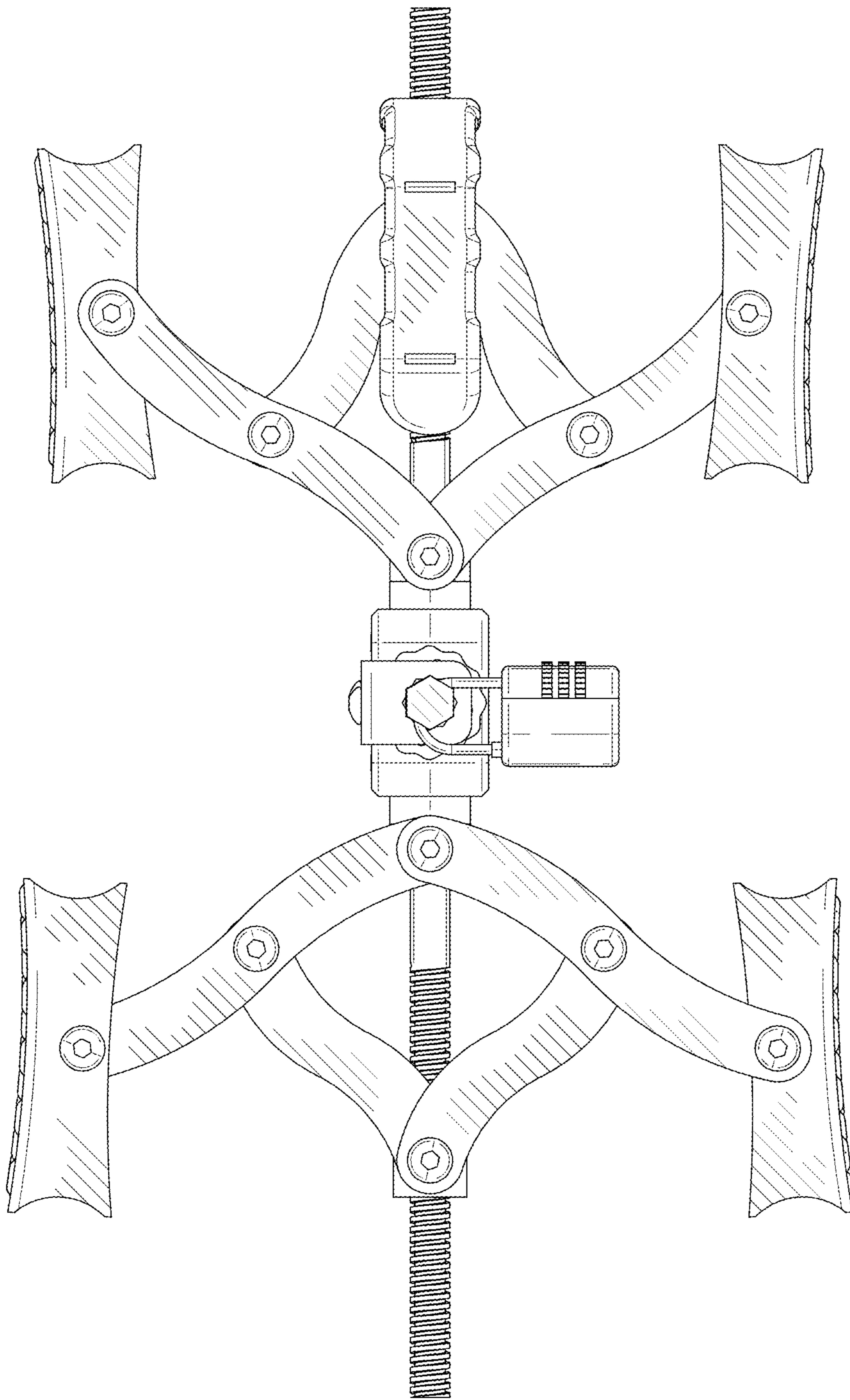


FIG. 2

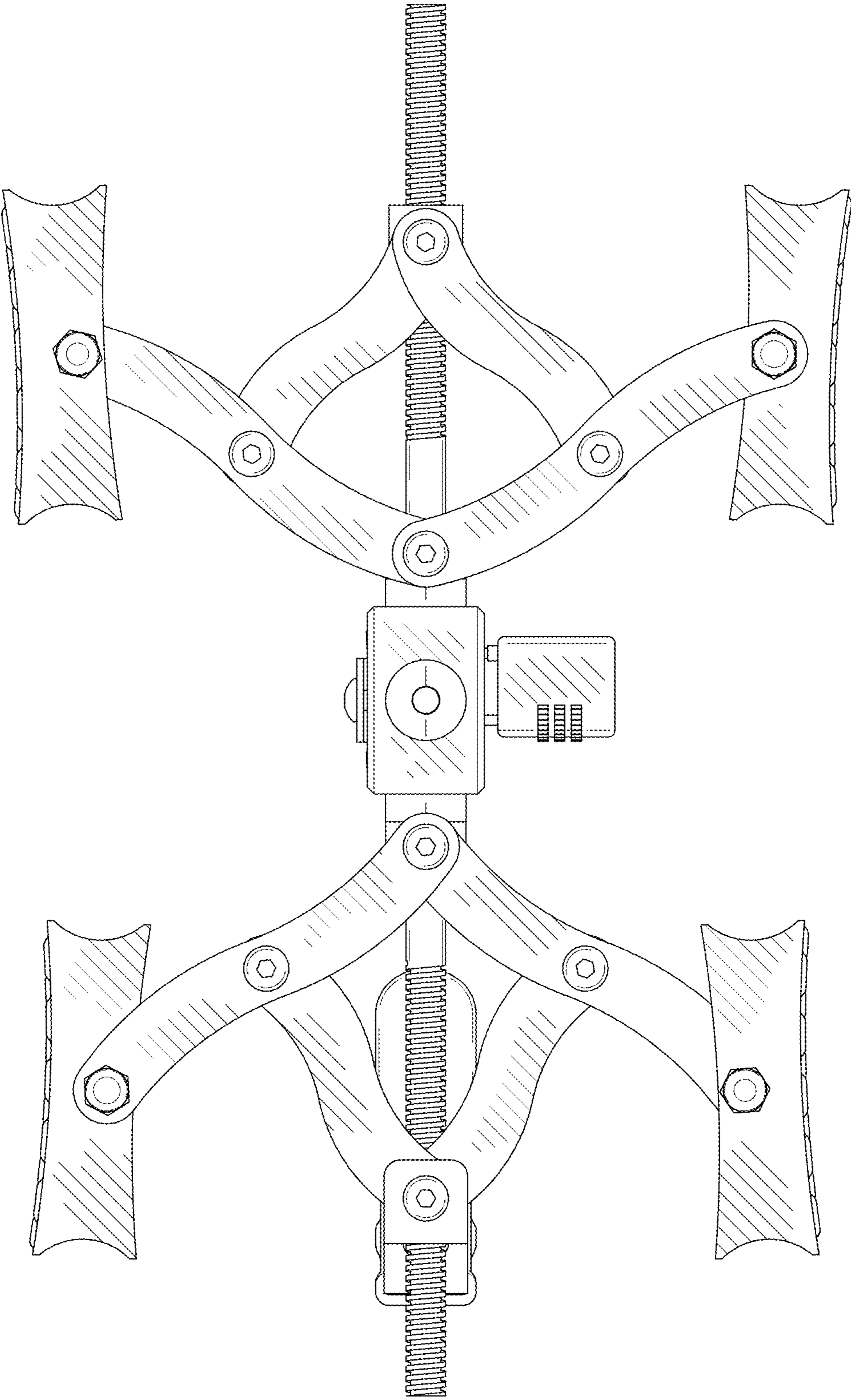


FIG. 3

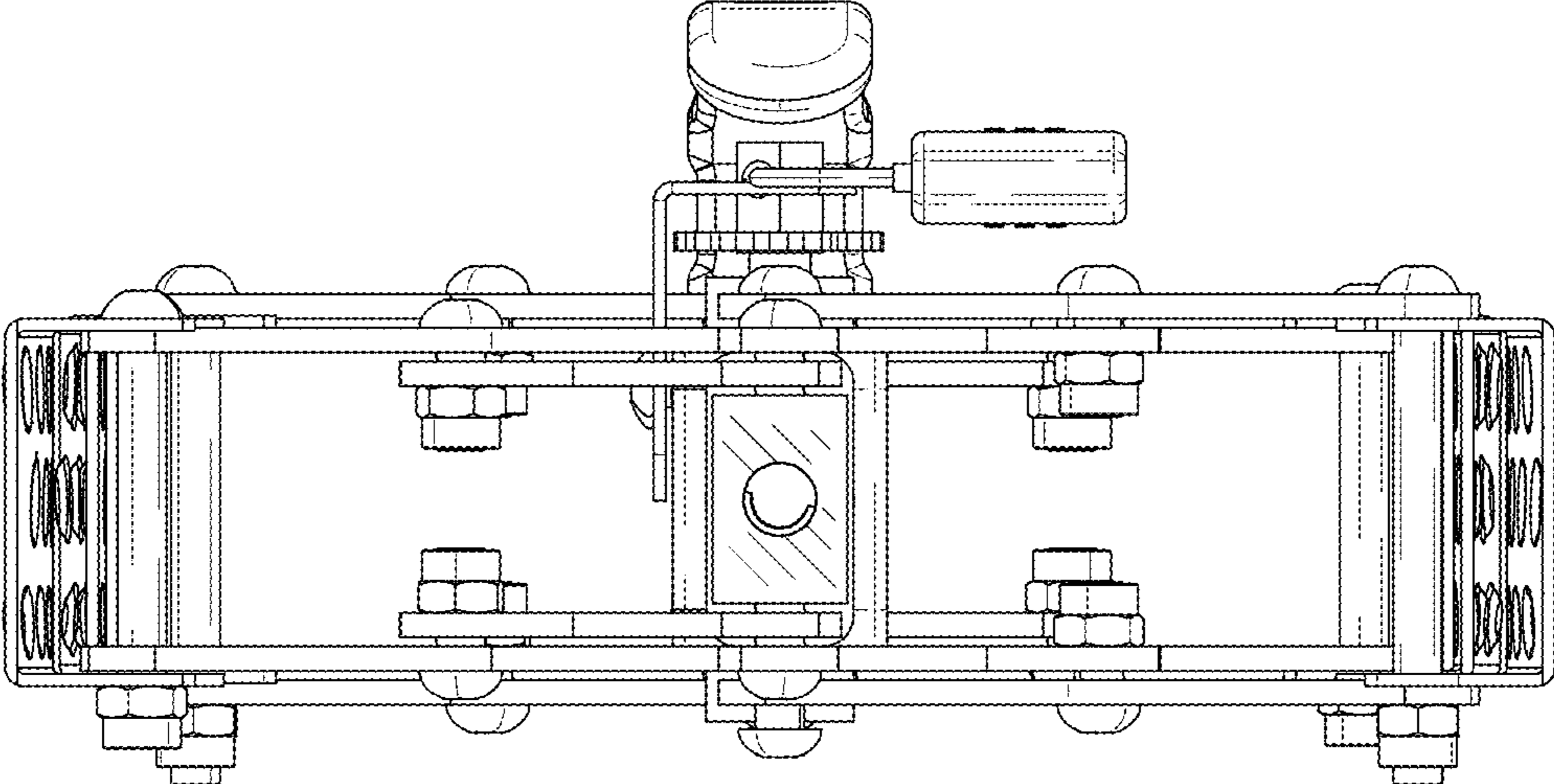


FIG. 4

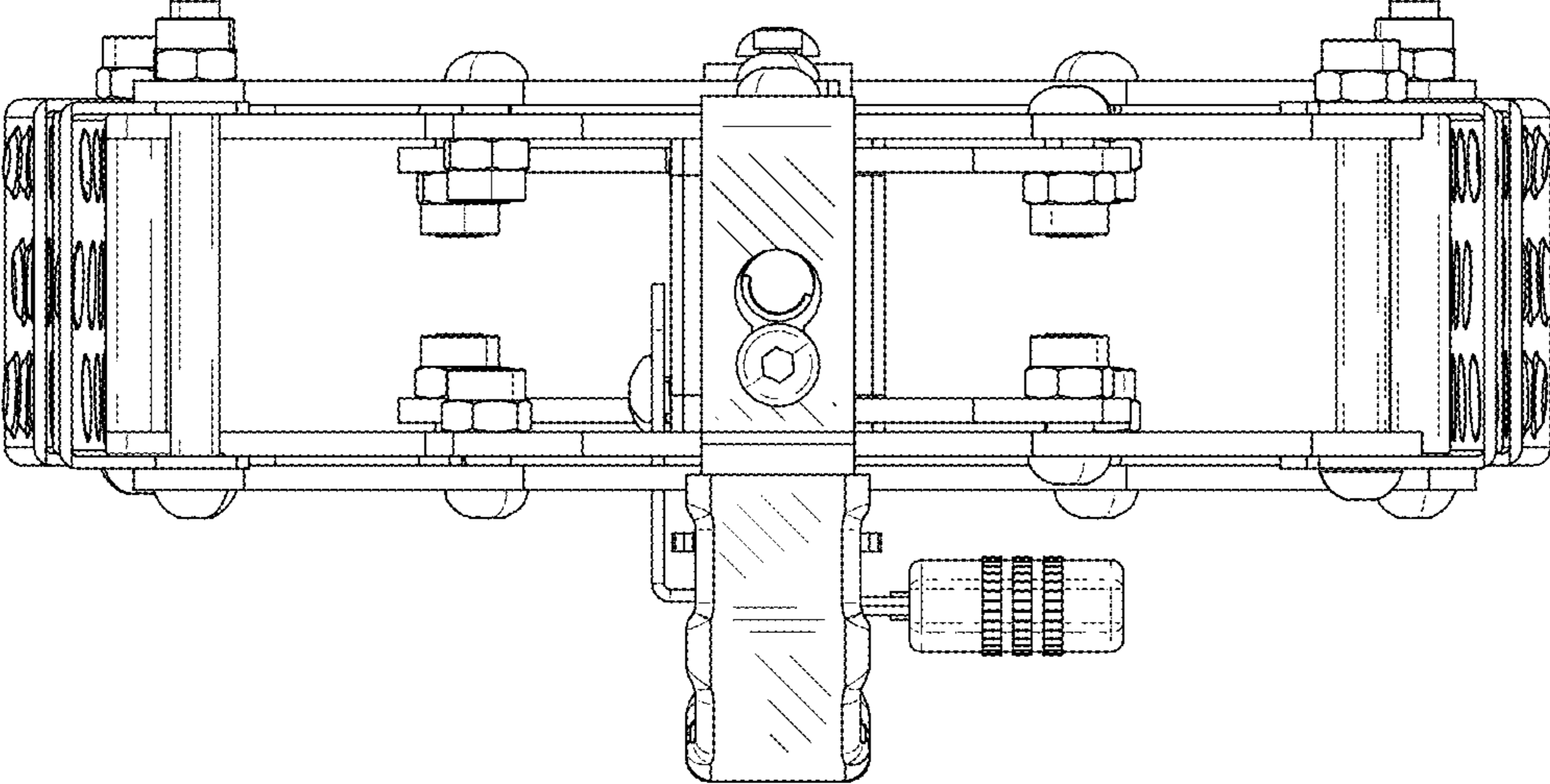


FIG. 5

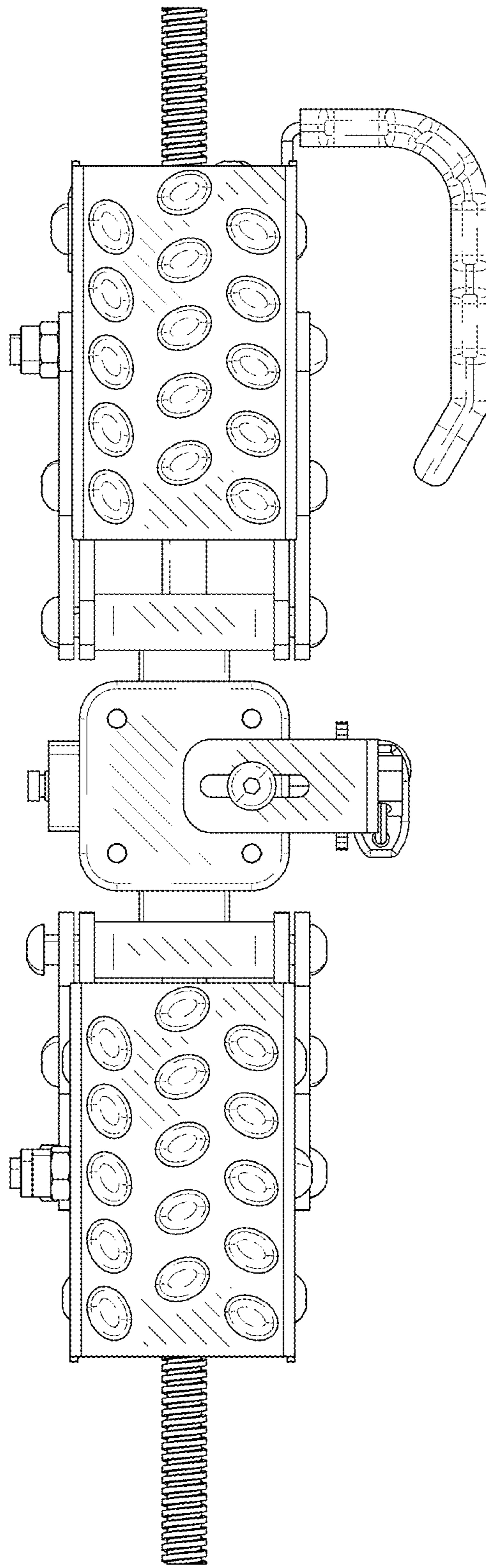


FIG. 6

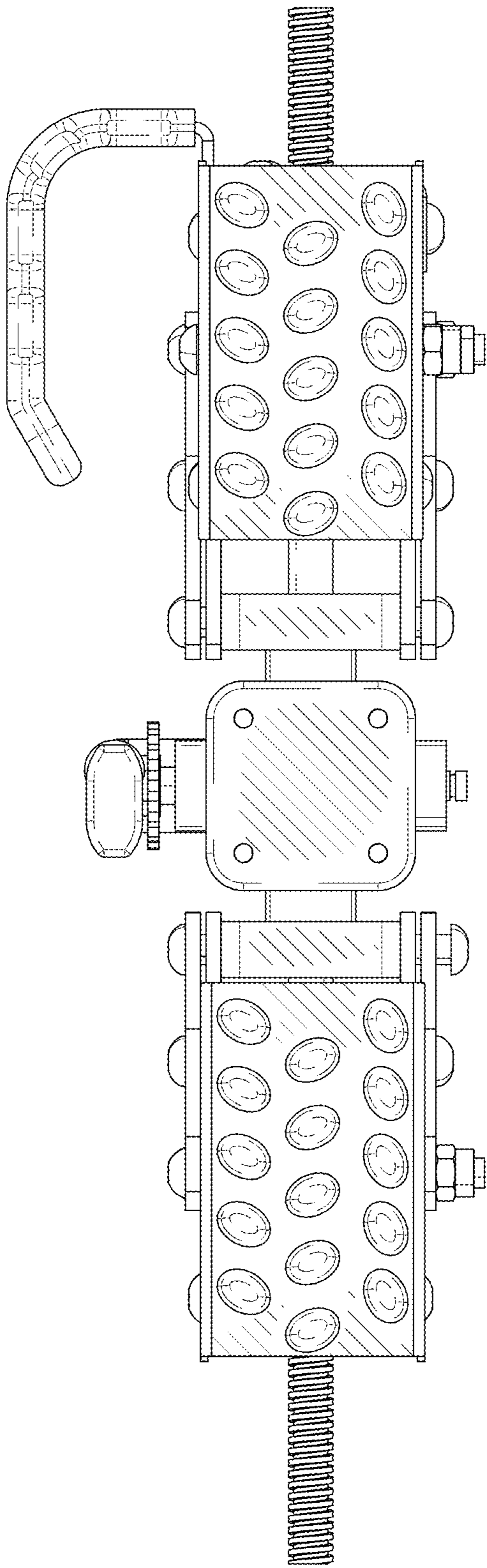


FIG. 7