



US00D970421S

(12) **United States Design Patent** (10) **Patent No.:** **US D970,421 S**
Zhang (45) **Date of Patent:** **** Nov. 22, 2022**

(54) **VEHICLE WHEEL**
(71) Applicant: **Chenning Zhang**, Rochester, MI (US)
(72) Inventor: **Chenning Zhang**, Rochester, MI (US)
(73) Assignee: **FCA US LLC**, Auburn Hills, MI (US)
(**) Term: **15 Years**

D864,078 S * 10/2019 Khachatryan D12/211
D865,610 S * 11/2019 Interrante D12/209
D872,672 S * 1/2020 Grewer D12/209
D873,755 S * 1/2020 Buck D12/209
D877,029 S * 3/2020 Grewer D12/209
D880,399 S * 4/2020 Yoshida D12/211
D881,099 S * 4/2020 Han D12/209

(Continued)

(21) Appl. No.: **29/765,163**
(22) Filed: **Jan. 6, 2021**
(51) **LOC (13) Cl.** **12-16**
(52) **U.S. Cl.**
USPC **D12/211**
(58) **Field of Classification Search**
USPC D12/204–213; D21/563
CPC B60B 7/00; B60B 7/02; B60B 7/04; B60B
7/06; B60B 3/02; B60B 3/04; B60B 3/06;
B60B 3/10; B60B 1/00; B60B 1/10;
B60B 1/12

FOREIGN PATENT DOCUMENTS

CN 305216196 * 6/2019
CN 305774049 * 5/2020

(Continued)

OTHER PUBLICATIONS

OE Wheels LLC 22 Inch Fits Chevy Silverado Tahoe GMC Sierra Yukon Cadillac Escalade CV98 Chrome 22x9 Rims, available in Amazon.com, customer review oldest date Oct. 31, 2019 [online], [Jun. 23, 2022], Available from the internet URL: https://www.amazon.com/OE-Wheels-LLC-Silverado-Bridgestone/dp/B0812C3BGT/ref=sr_1_1_ssp.*

See application file for complete search history.

Primary Examiner — Darlington Ly

Assistant Examiner — D. Ryan Tisdale

(74) *Attorney, Agent, or Firm* — Ralph E. Smith

(56) **References Cited**

U.S. PATENT DOCUMENTS

D528,063 S * 9/2006 Schell D12/211
D581,853 S * 12/2008 Rak D12/211
D593,018 S * 5/2009 Juergens D12/209
D612,788 S * 3/2010 Junker D12/209
D624,861 S * 10/2010 Zhao D12/209
D673,092 S * 12/2012 Platto D12/209
D680,483 S * 4/2013 Zhao D12/209
D688,186 S * 8/2013 McMath D12/209
D718,203 S * 11/2014 Whyte D12/209
D732,449 S * 6/2015 Grake D12/209
D734,704 S * 7/2015 Juergens D12/211
D741,240 S * 10/2015 Melabiotis D12/209
D792,303 S * 7/2017 Chung D12/209
D817,246 S * 5/2018 Andoh D12/209
D817,846 S * 5/2018 Stone D12/209
D825,426 S * 8/2018 Myrberg D12/209
D852,704 S * 7/2019 Khachatryan D12/209
D861,565 S * 10/2019 Khachatryan D12/209

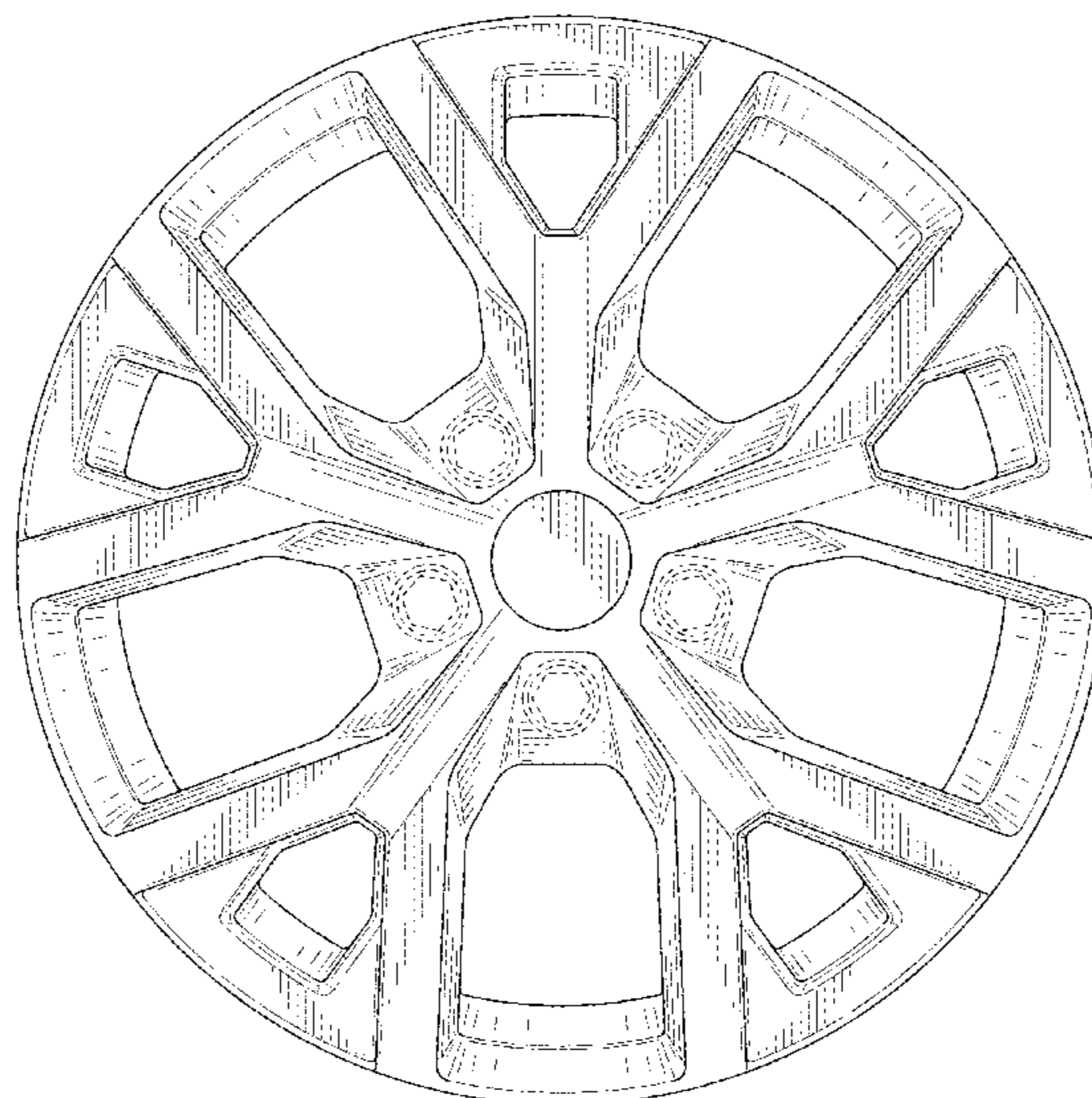
(57) **CLAIM**

The ornamental design for a vehicle wheel, as shown and described.

DESCRIPTION

FIG. 1 is a right perspective view of a vehicle wheel showing our new design;
FIG. 2 is a front view thereof; and,
FIG. 3 is a left perspective view thereof.
It will be understood that the broken lines shown in the drawings illustrate portions of the vehicle wheel that form no part of the claimed design.

1 Claim, 3 Drawing Sheets



(56)

References Cited

U.S. PATENT DOCUMENTS

| | | | | | | |
|--------------|----|---|---------|----------|-------|-----------|
| D883,169 | S | * | 5/2020 | Liu | | D12/209 |
| D887,935 | S | * | 6/2020 | Yeh | | D12/209 |
| D891,349 | S | * | 7/2020 | Buck | | D12/209 |
| D892,020 | S | * | 8/2020 | Grewer | | D12/209 |
| D895,510 | S | * | 9/2020 | Scott | | D12/209 |
| D896,727 | S | * | 9/2020 | Daniel | | D12/209 |
| D897,924 | S | * | 10/2020 | Arias | | D12/209 |
| D899,336 | S | * | 10/2020 | Okaji | | D12/209 |
| D915,978 | S | * | 4/2021 | Ma | | D12/209 |
| D916,644 | S | * | 4/2021 | Goodrich | | D12/209 |
| D918,117 | S | * | 5/2021 | Ma | | D12/209 |
| D922,927 | S | * | 6/2021 | Kaoud | | D12/209 |
| D941,211 | S | * | 1/2022 | Hans | | D12/209 |
| 2019/0389244 | A1 | * | 12/2019 | Tian | | B60B 3/04 |

FOREIGN PATENT DOCUMENTS

| | | | |
|----|-------------|---|---------|
| CN | 305842888 | * | 6/2020 |
| CN | 306846818 | * | 9/2021 |
| CN | 306927932 | * | 11/2021 |
| CN | 307134958 | * | 3/2022 |
| CN | 307202369 | * | 3/2022 |
| CN | 307211203 | * | 3/2022 |
| CN | 307265587 | * | 4/2022 |
| CN | 307359848 | * | 5/2022 |
| JP | D1656136 | * | 3/2021 |
| TR | 102860-0002 | * | 4/2019 |
| TW | 216844-0001 | * | 1/2022 |
| TW | 219327-0001 | * | 6/2022 |
| WO | D216621-002 | * | 10/2021 |
| WO | D220546-008 | * | 5/2022 |

* cited by examiner

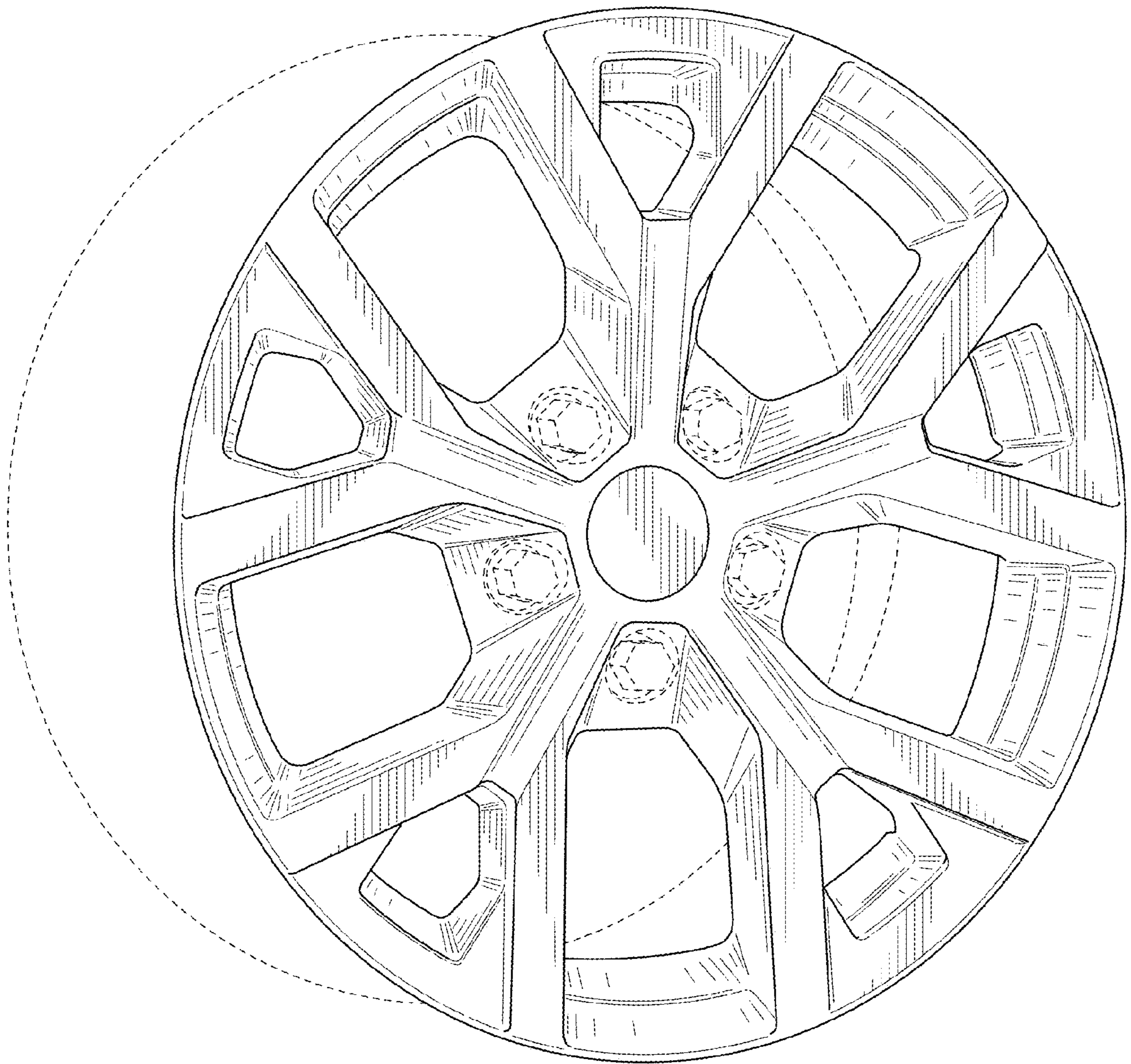


FIG. 1

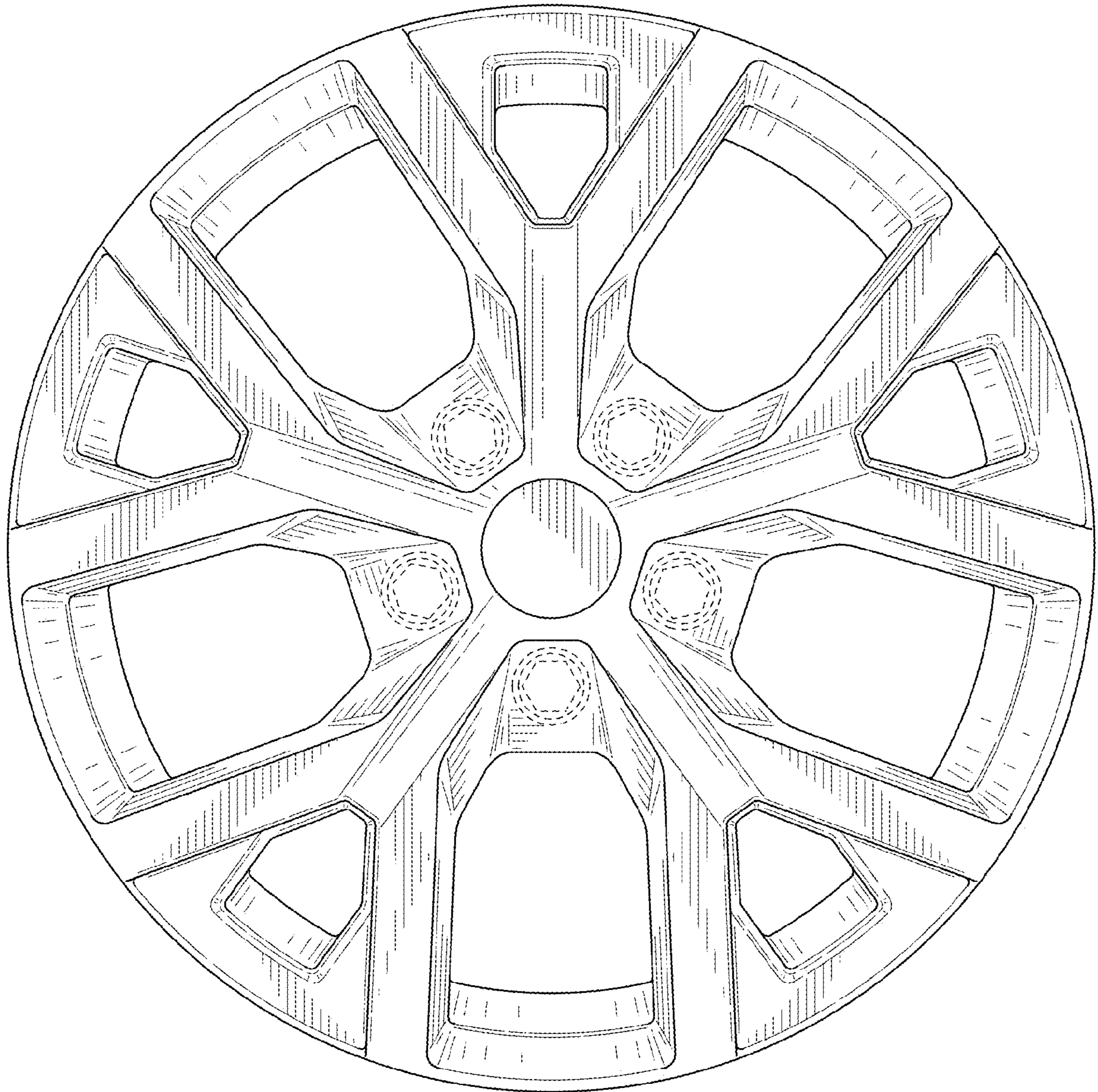


FIG. 2

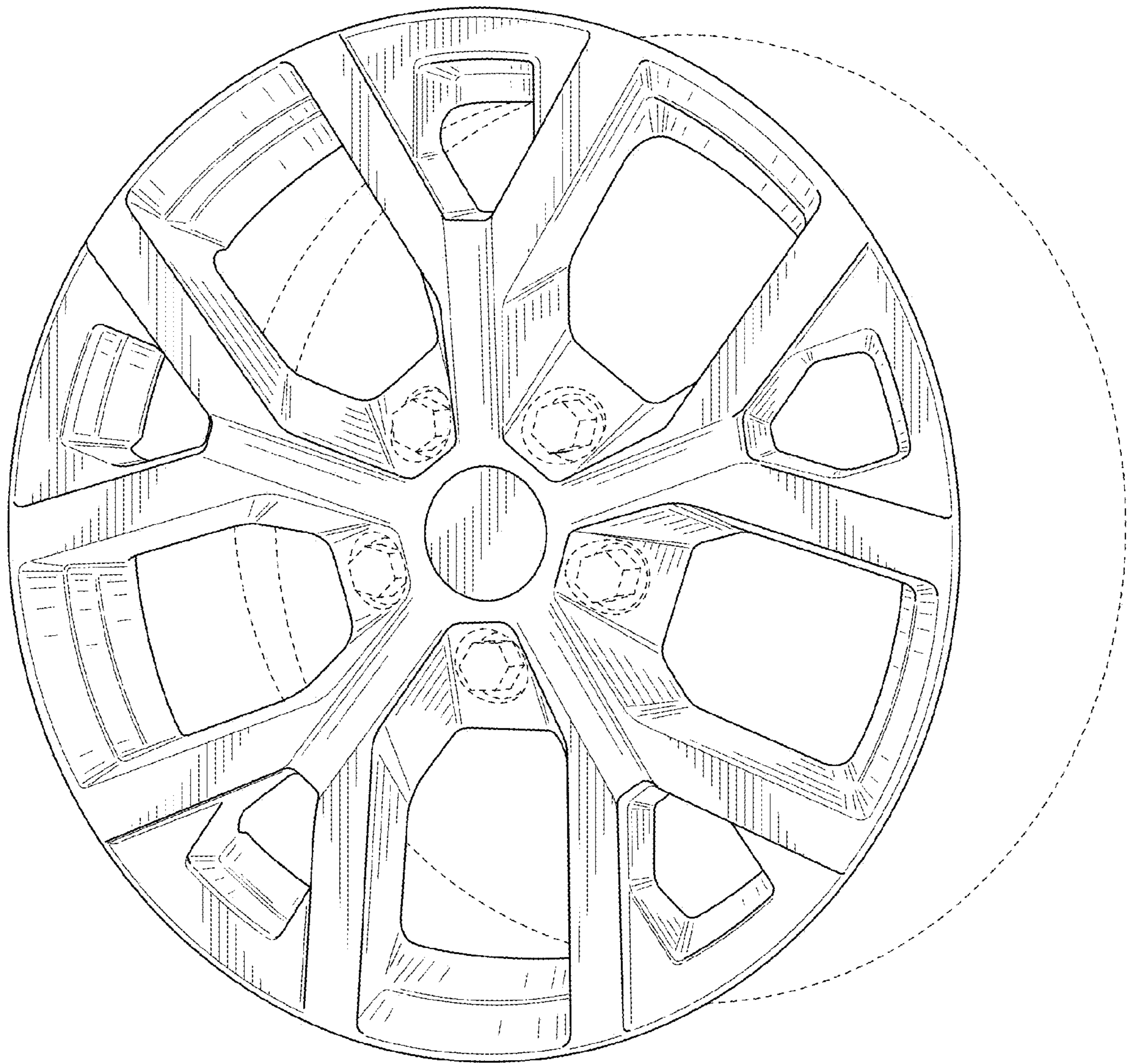


FIG. 3