



US00D970417S

(12) **United States Design Patent** (10) **Patent No.:** **US D970,417 S**
Zhang et al. (45) **Date of Patent:** **** Nov. 22, 2022**

(54) **VEHICLE WHEEL**
(71) Applicants: **Chenming Zhang**, Royal Oak, MI (US); **Tome Jovanoski**, Shelby Township, MI (US)
(72) Inventors: **Chenming Zhang**, Royal Oak, MI (US); **Tome Jovanoski**, Shelby Township, MI (US)
(73) Assignee: **FCA US LLC**, Auburn Hills, MI (US)
(**) Term: **15 Years**
(21) Appl. No.: **29/773,313**
(22) Filed: **Mar. 9, 2021**
(51) **LOC (13) Cl.** **12-16**
(52) **U.S. Cl.**
USPC **D12/209**
(58) **Field of Classification Search**
USPC D12/204-213; D21/563
CPC B60B 7/00; B60B 7/01; B60B 7/02; B60B 7/04; B60B 7/06; B60B 3/02; B60B 3/04; B60B 3/06; B60B 3/10; B60B 1/00; B60B 1/08; B60B 1/10; B60B 1/12
See application file for complete search history.

D767,464 S * 9/2016 Juergens D12/209
D805,457 S * 12/2017 Setter D12/211
D842,187 S * 3/2019 Tomasson D12/209
D851,006 S * 6/2019 Hans D12/209
D864,830 S * 10/2019 Khachatryan D12/209
D888,641 S * 6/2020 Scott D12/209
D919,538 S * 5/2021 Kaoud D12/209

OTHER PUBLICATIONS

2022 Jeep Grand Wagoneer, Published Aug. 17, 2021 [online], [retrieved on Jun. 30, 2022]. Retrieved from the Internet: <https://www.guideautoweb.com/en/articles/61199/2022-jeep-grand-wagoneer-grand-return/> (Year: 2021).*

* cited by examiner

Primary Examiner — Cary M Robinson
Assistant Examiner — Adam C Mager
(74) *Attorney, Agent, or Firm* — Ralph E. Smith

(56) **References Cited**

U.S. PATENT DOCUMENTS

D641,679 S * 7/2011 Vardis D12/211
D644,587 S * 9/2011 Gotschke D12/209
D671,477 S * 11/2012 Juergens D12/209
D708,108 S * 7/2014 Wheel D12/209
D746,750 S * 1/2016 Curtis D12/209
D760,139 S * 6/2016 Dionisopoulos et al.
D765,002 S * 8/2016 Hoste D12/209

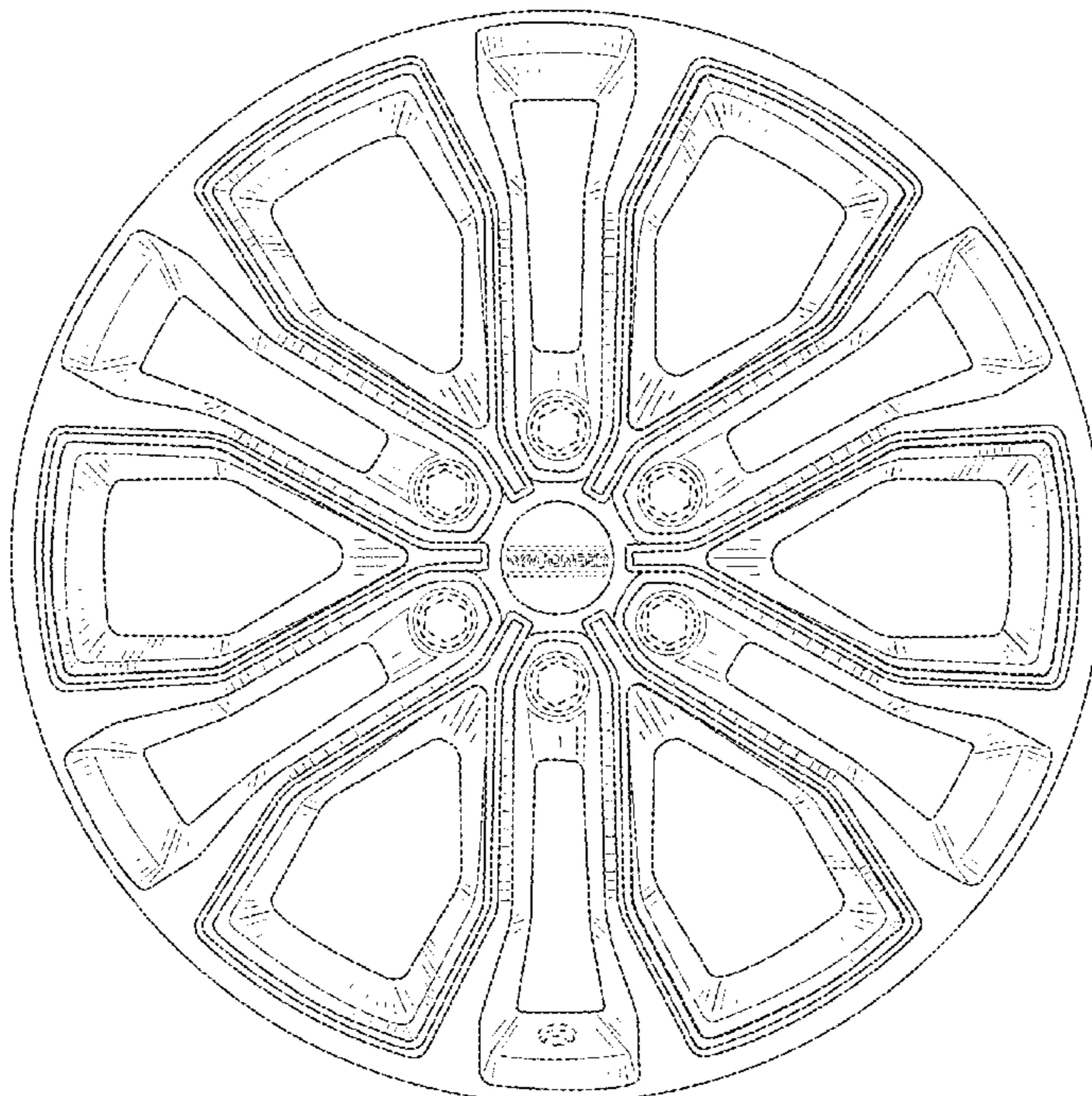
(57) **CLAIM**

The ornamental design for a vehicle wheel, as shown and described.

DESCRIPTION

FIG. 1 is a left perspective view of a vehicle wheel showing our new design;
FIG. 2 is a front view thereof; and,
FIG. 3 is a right perspective view thereof.
It will be understood that the broken lines shown in the drawings illustrate portions of the vehicle wheel that form no part of the claimed design.

1 Claim, 3 Drawing Sheets



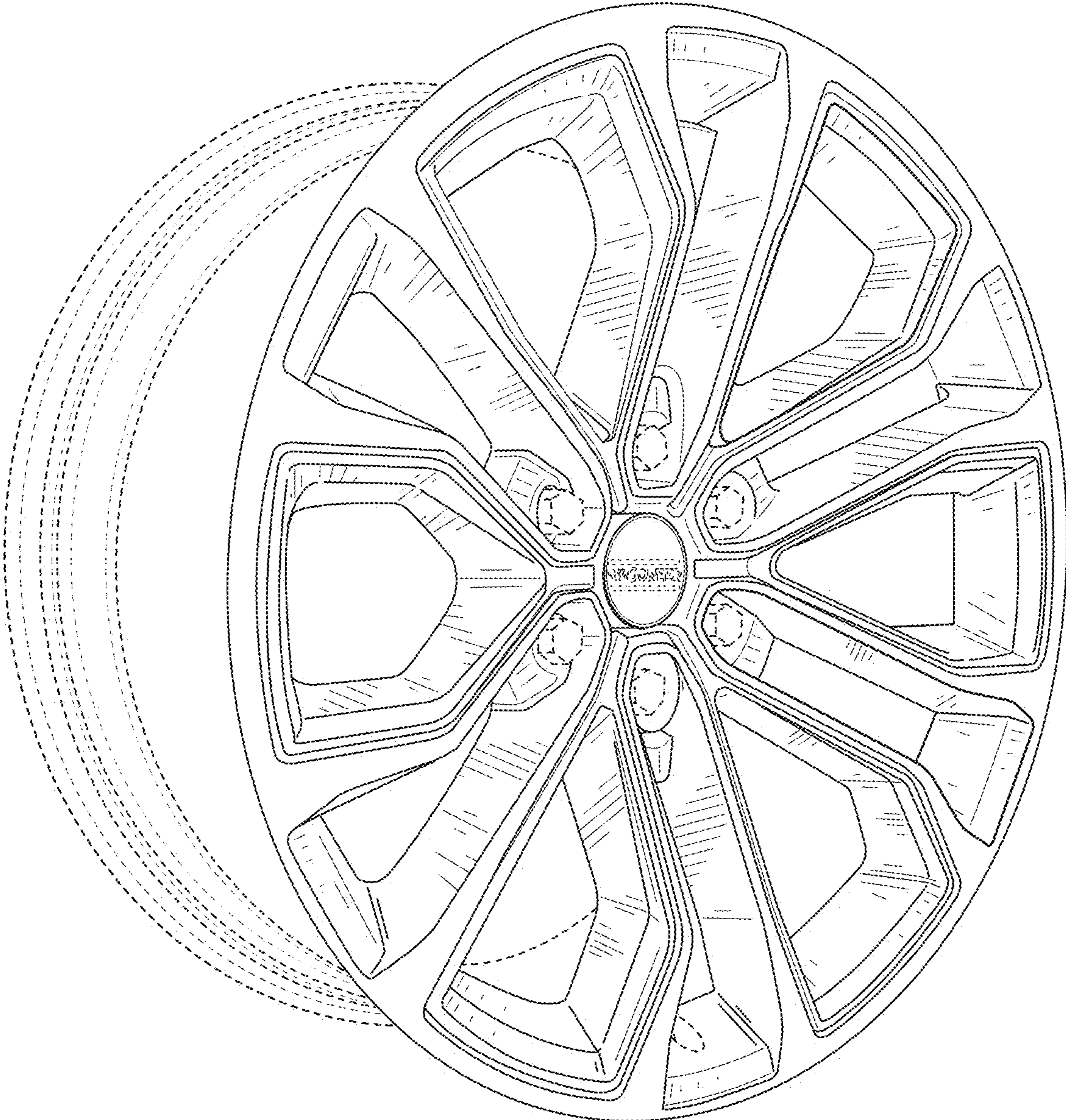


FIG. 1

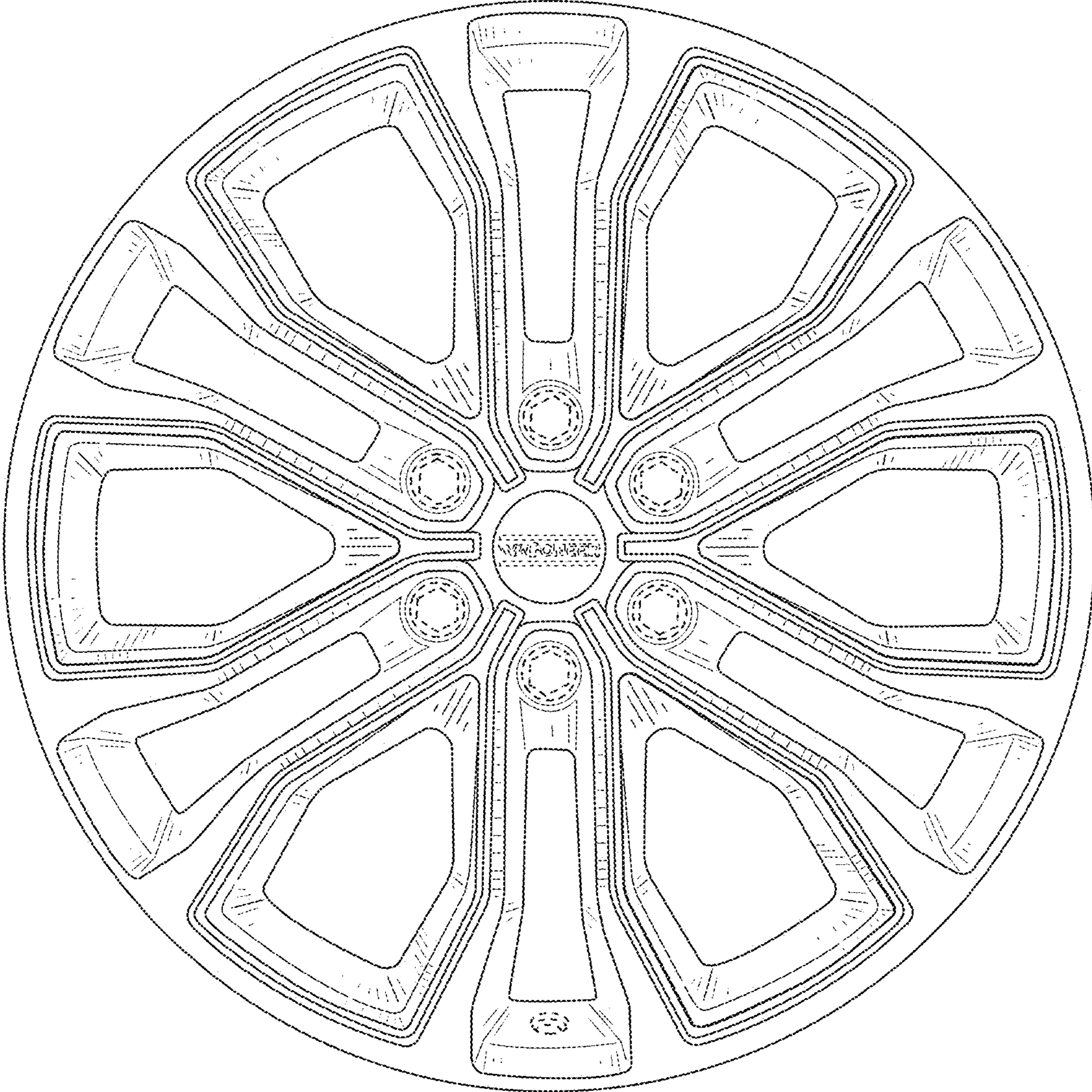


FIG. 2

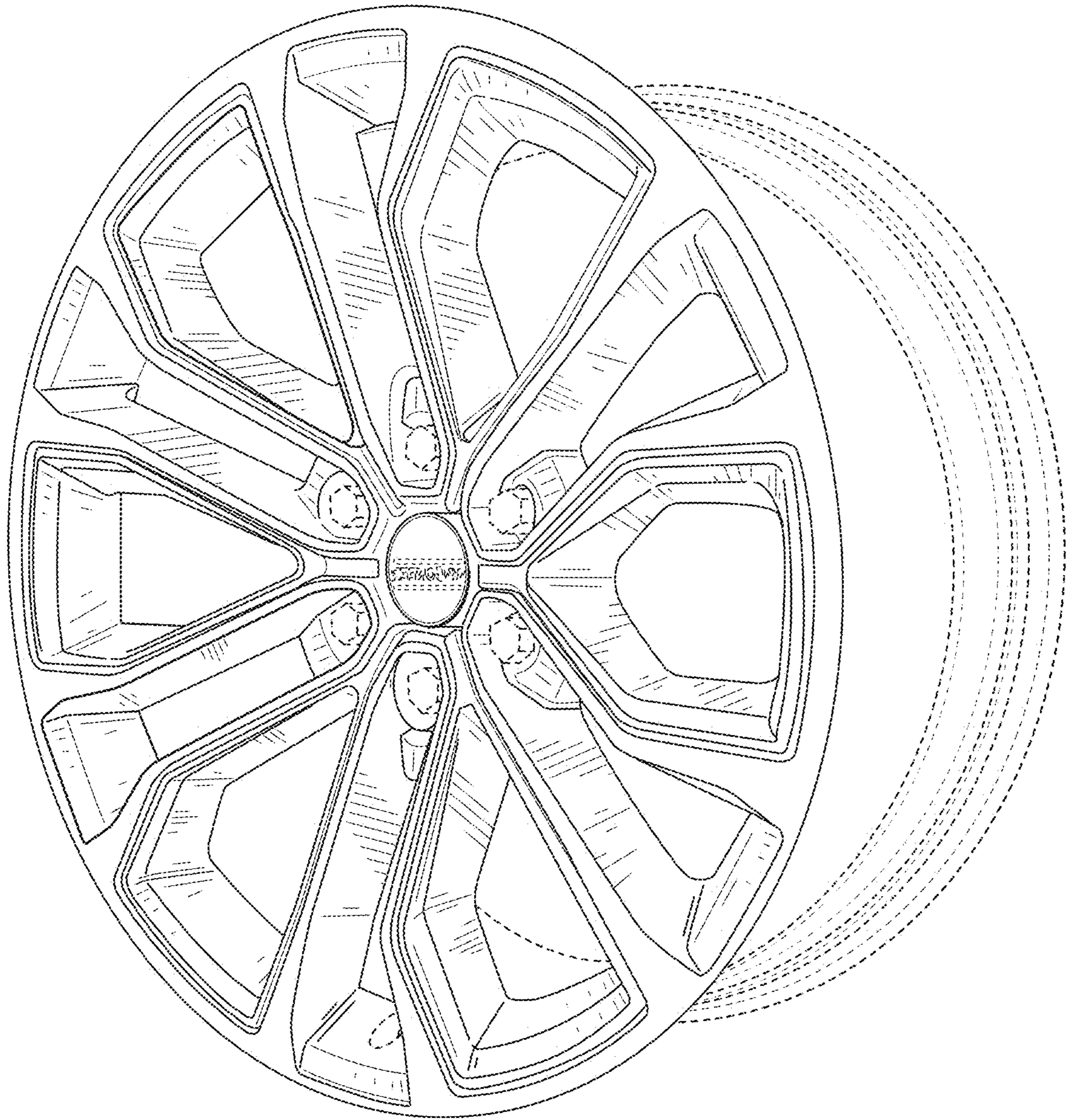


FIG. 3