



US00D970415S

(12) **United States Design Patent**
Wheel

(10) **Patent No.:** **US D970,415 S**

(45) **Date of Patent:** **** Nov. 22, 2022**

(54) **VEHICLE WHEEL**

(71) Applicant: **JAGUAR LAND ROVER LIMITED,**
Coventry (GB)

(72) Inventor: **Andrew Wheel,** Coventry (GB)

(73) Assignee: **JAGUAR LAND ROVER LIMITED,**
Coventry (GB)

(**) Term: **15 Years**

(21) Appl. No.: **29/772,019**

(22) Filed: **Feb. 26, 2021**

(30) **Foreign Application Priority Data**

Aug. 26, 2020 (EM) 008148605-0003

(51) **LOC (13) Cl.** **12-16**

(52) **U.S. Cl.**
USPC **D12/209**

(58) **Field of Classification Search**

USPC D12/204–213; D21/563
CPC B60B 7/00; B60B 7/01; B60B 7/02; B60B
7/04; B60B 7/06; B60B 3/02; B60B 3/04;
B60B 3/06; B60B 3/10; B60B 1/00;
B60B 1/08; B60B 1/10; B60B 1/12

See application file for complete search history.

(56) **References Cited**

U.S. PATENT DOCUMENTS

D652,361 S * 1/2012 Forschner D12/209
D654,842 S * 2/2012 Blasi D12/209

D671,478 S * 11/2012 Baum D12/209
D682,176 S * 5/2013 Badstuebner D12/209
D734,235 S * 7/2015 Juergens D12/209
D752,499 S * 3/2016 Sze D12/211
D770,352 S * 11/2016 Sze D12/209
D781,762 S * 3/2017 Setter D12/209
D792,305 S * 7/2017 Terui D12/209
D807,269 S * 1/2018 Peat D12/209
D843,912 S * 3/2019 Metros D12/209
D846,477 S * 4/2019 Bucher D12/209
D924,115 S * 7/2021 Setter D12/209

* cited by examiner

Primary Examiner — Cary M Robinson

Assistant Examiner — Adam C Mager

(74) *Attorney, Agent, or Firm* — Reising Ethington P.C.

(57) **CLAIM**

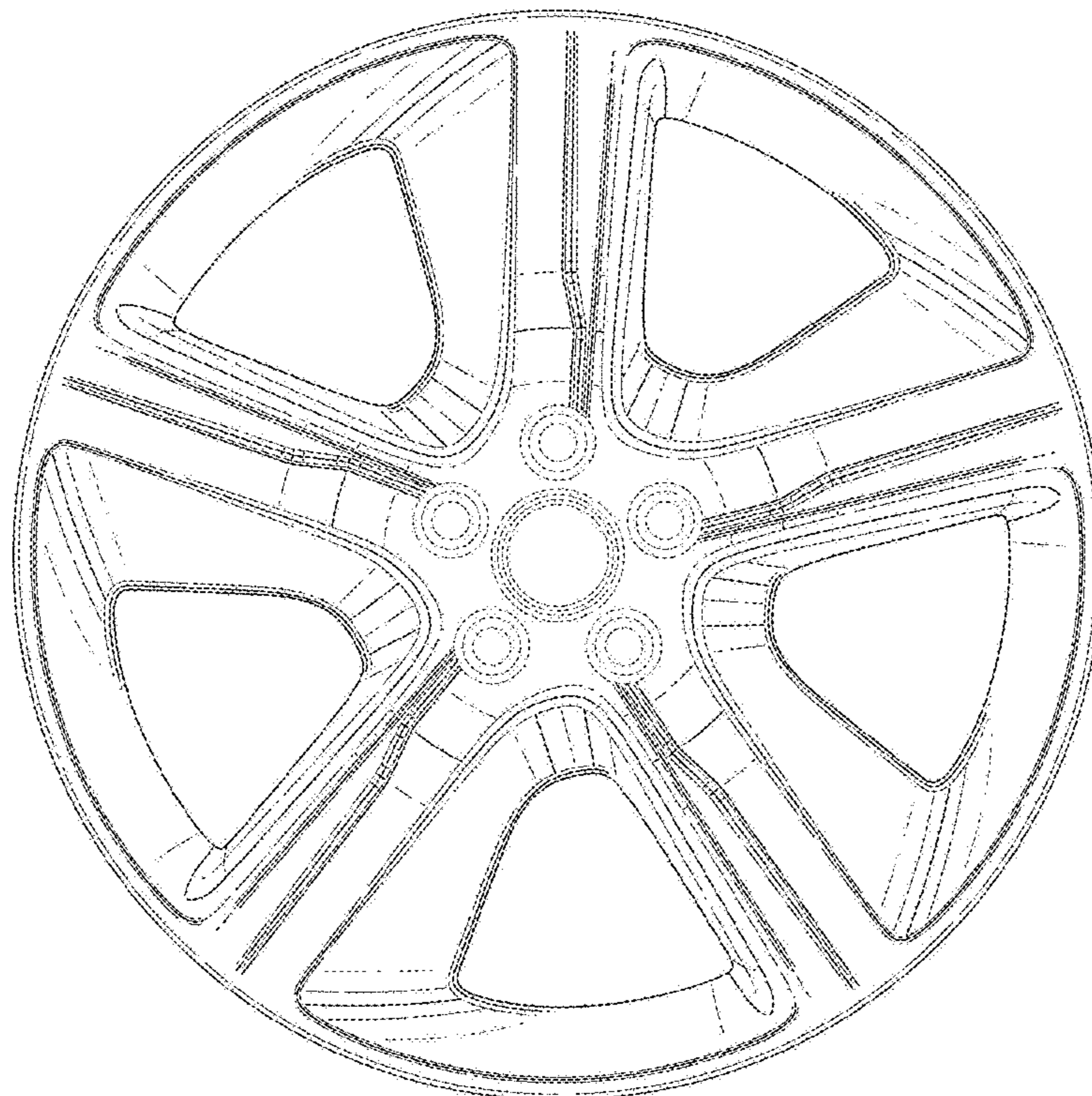
The ornamental design for a vehicle wheel, as shown and described.

DESCRIPTION

FIG. 1 is a frontside perspective view of the vehicle wheel;
FIG. 2 is a rearside perspective view thereof;
FIG. 3 is a front view thereof;
FIG. 4 is a rear view thereof;
FIG. 5 is a left side view thereof;
FIG. 6 is a right side view thereof;
FIG. 7 is a top view thereof; and,
FIG. 8 is a bottom view thereof.

The broken lines shown in the drawings depict portions of the vehicle wheel that form no part of the claimed design.

1 Claim, 8 Drawing Sheets



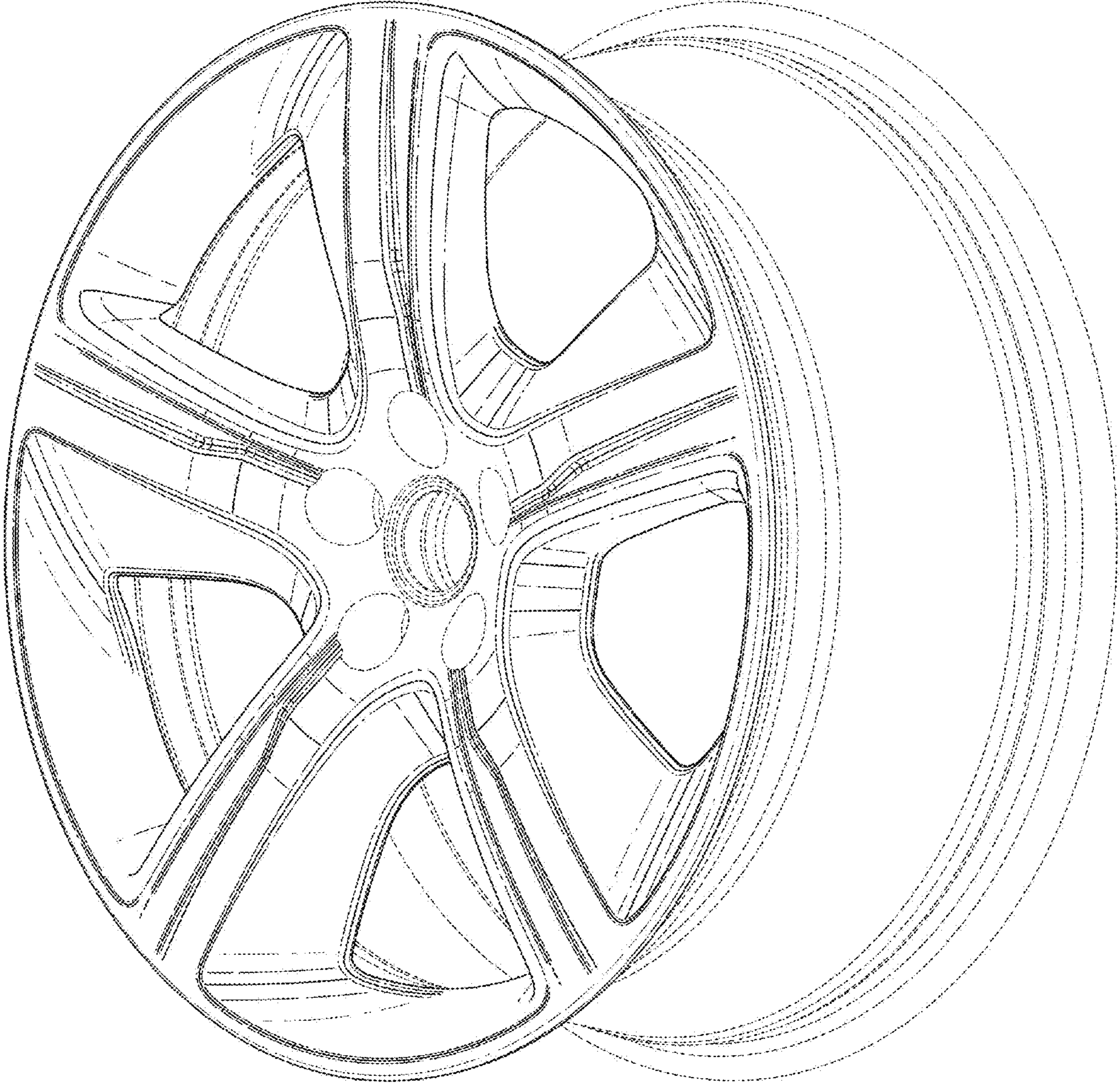


FIG. 1

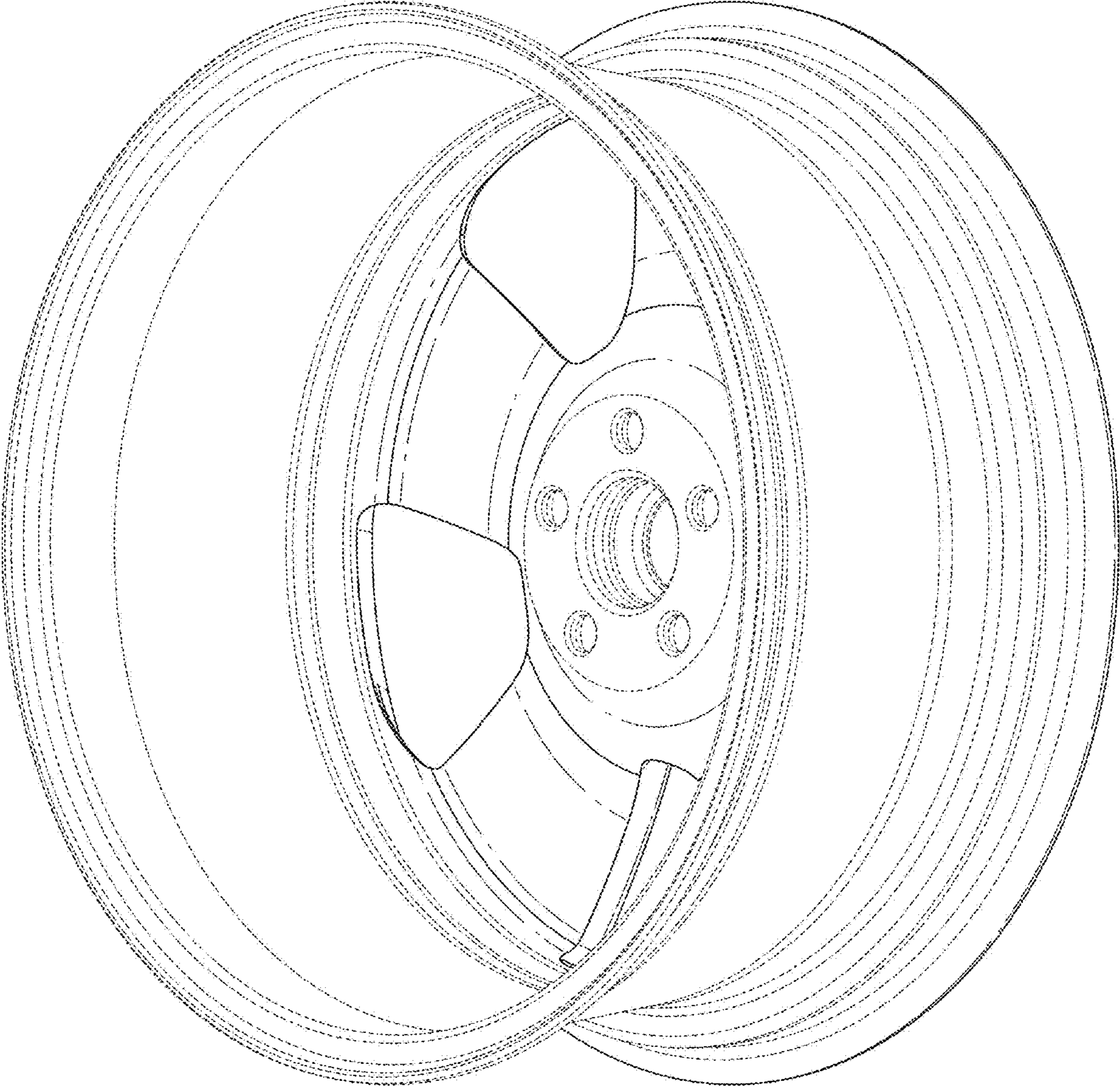


FIG. 2

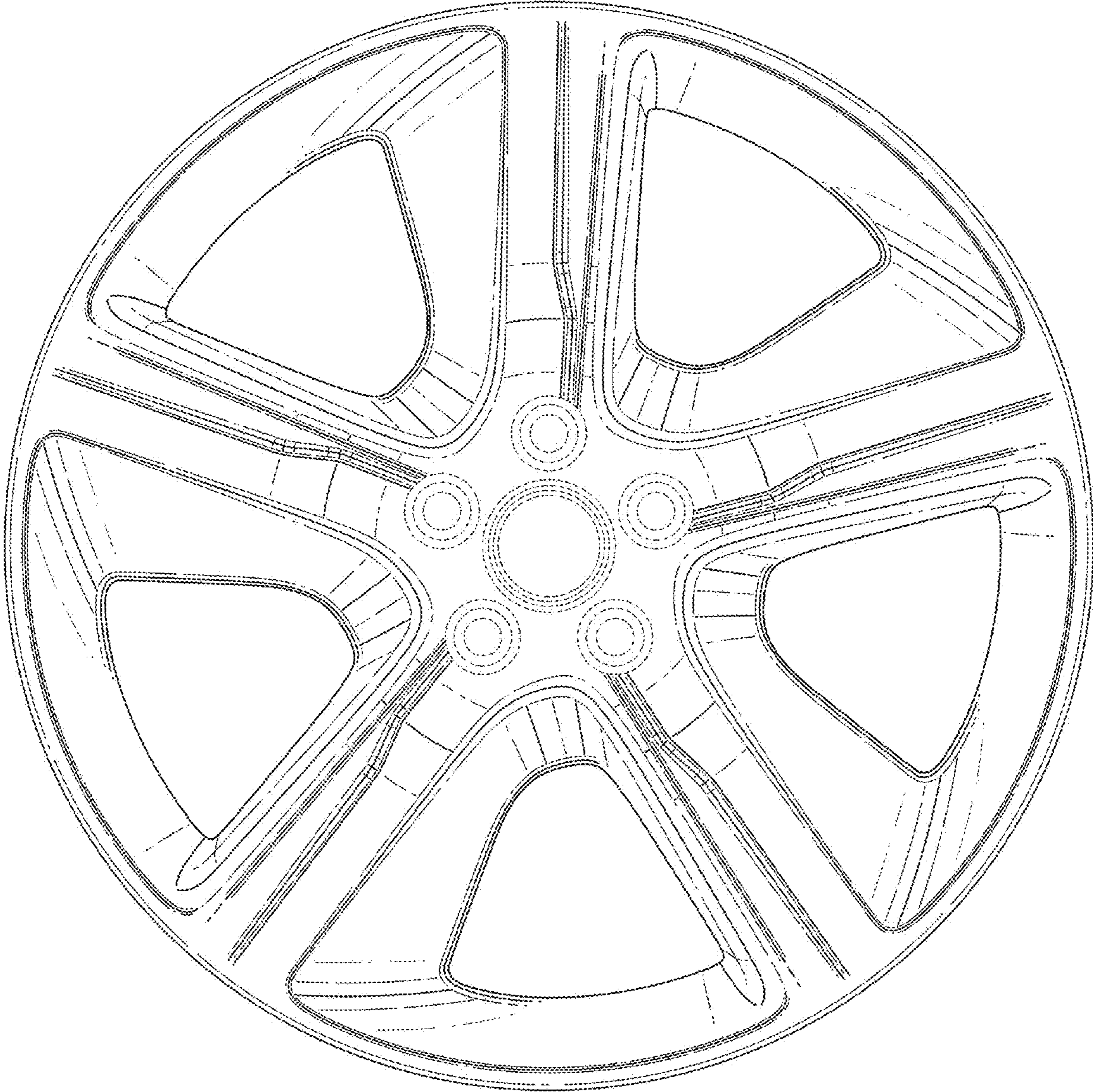


FIG. 3

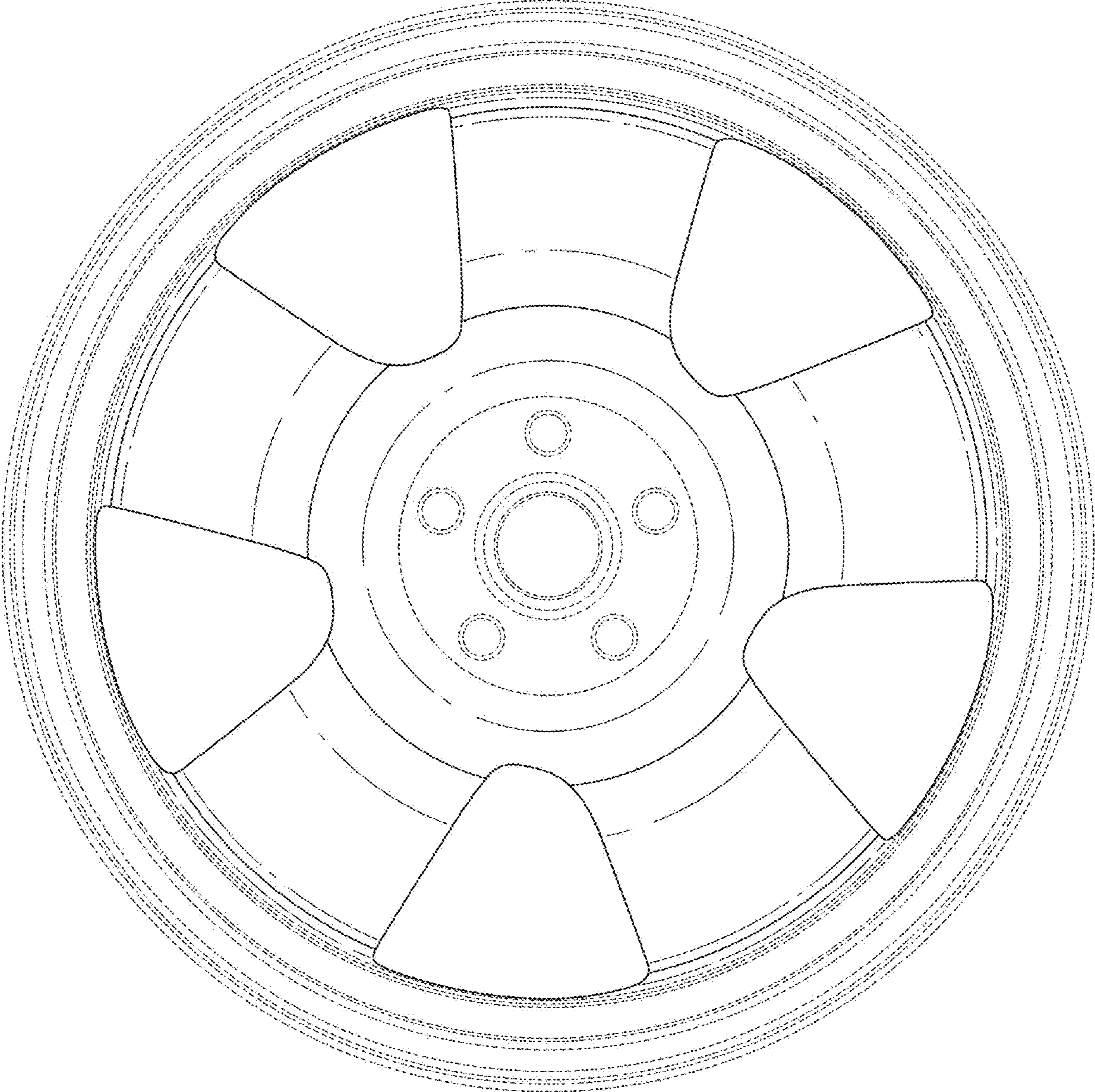


FIG. 4

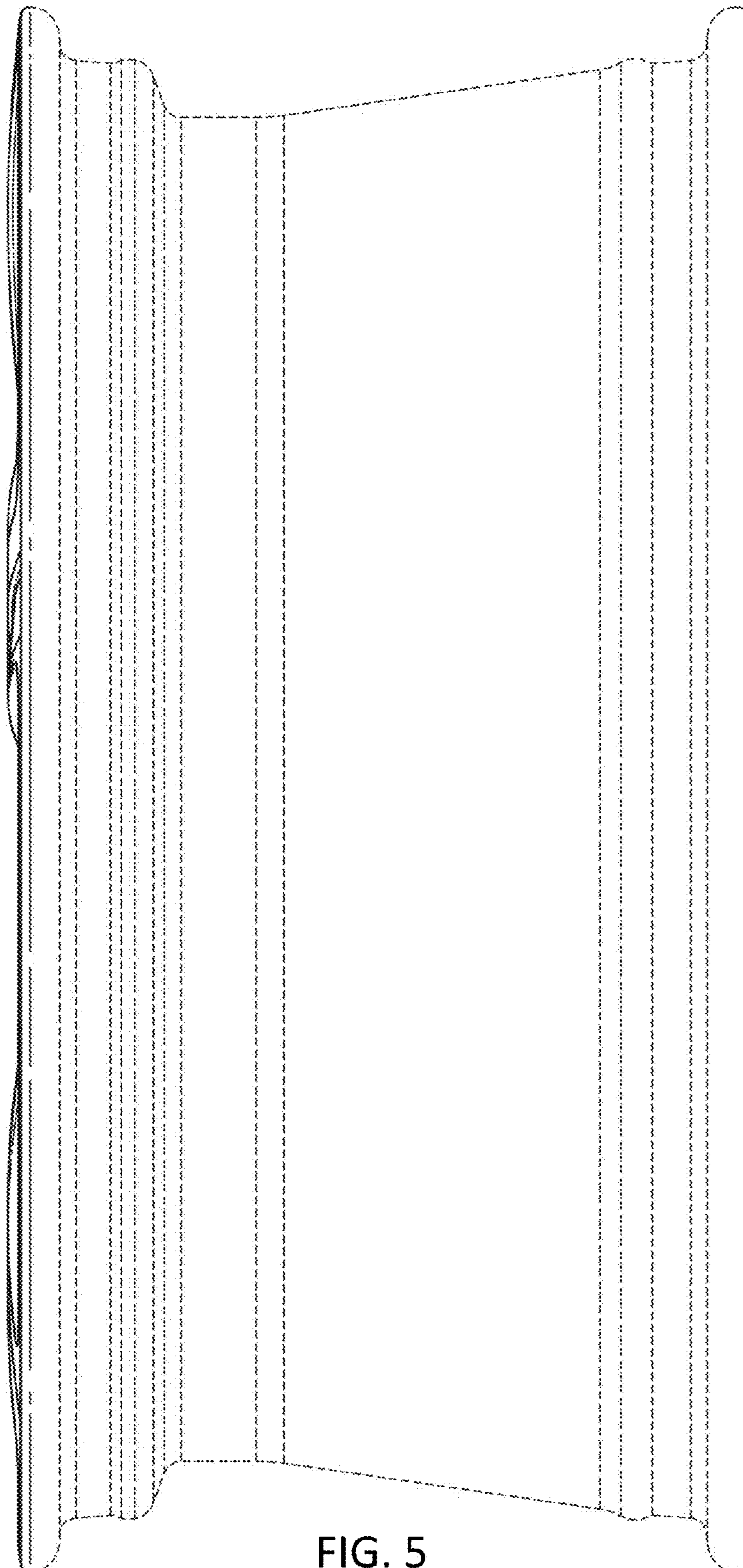


FIG. 5

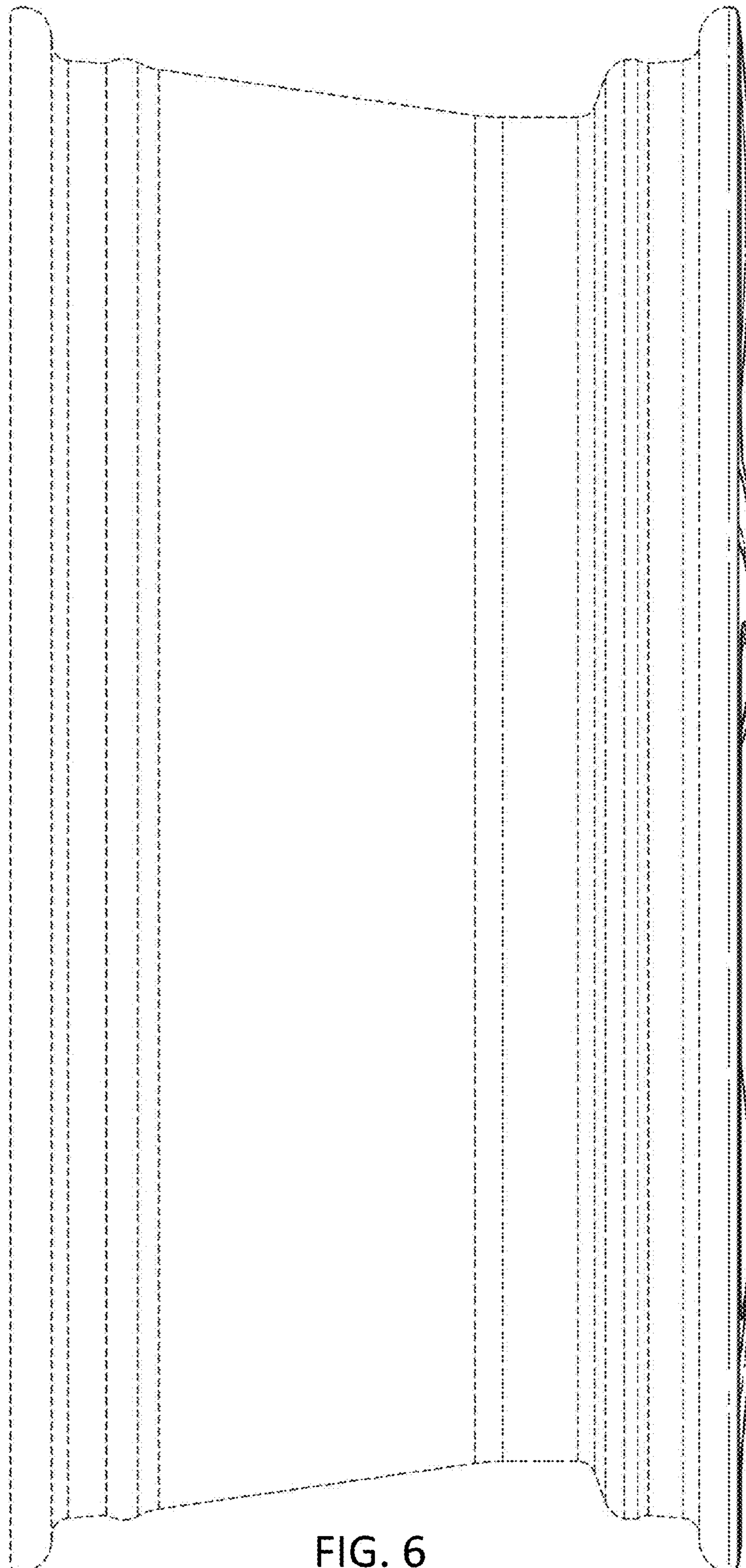


FIG. 6

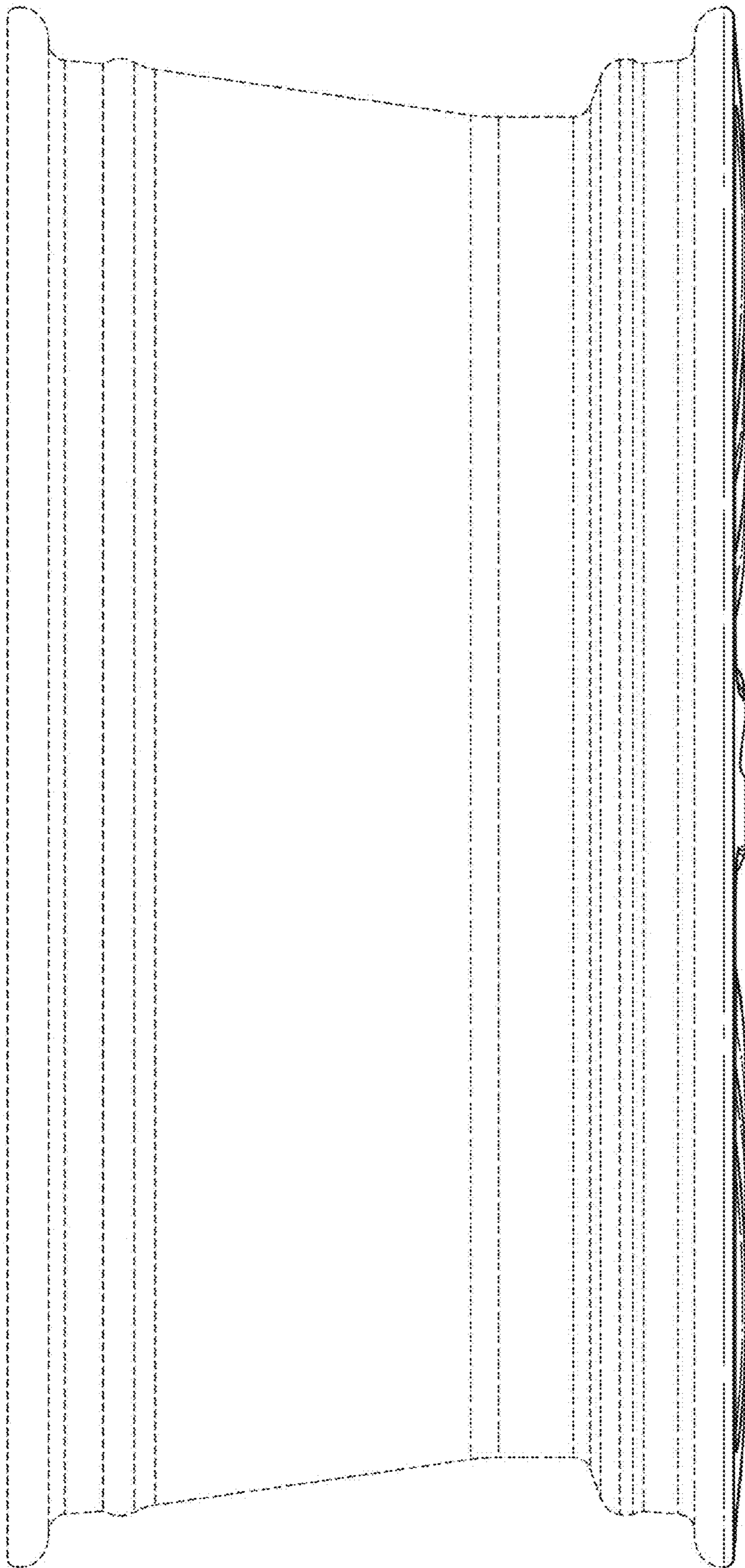


FIG. 7

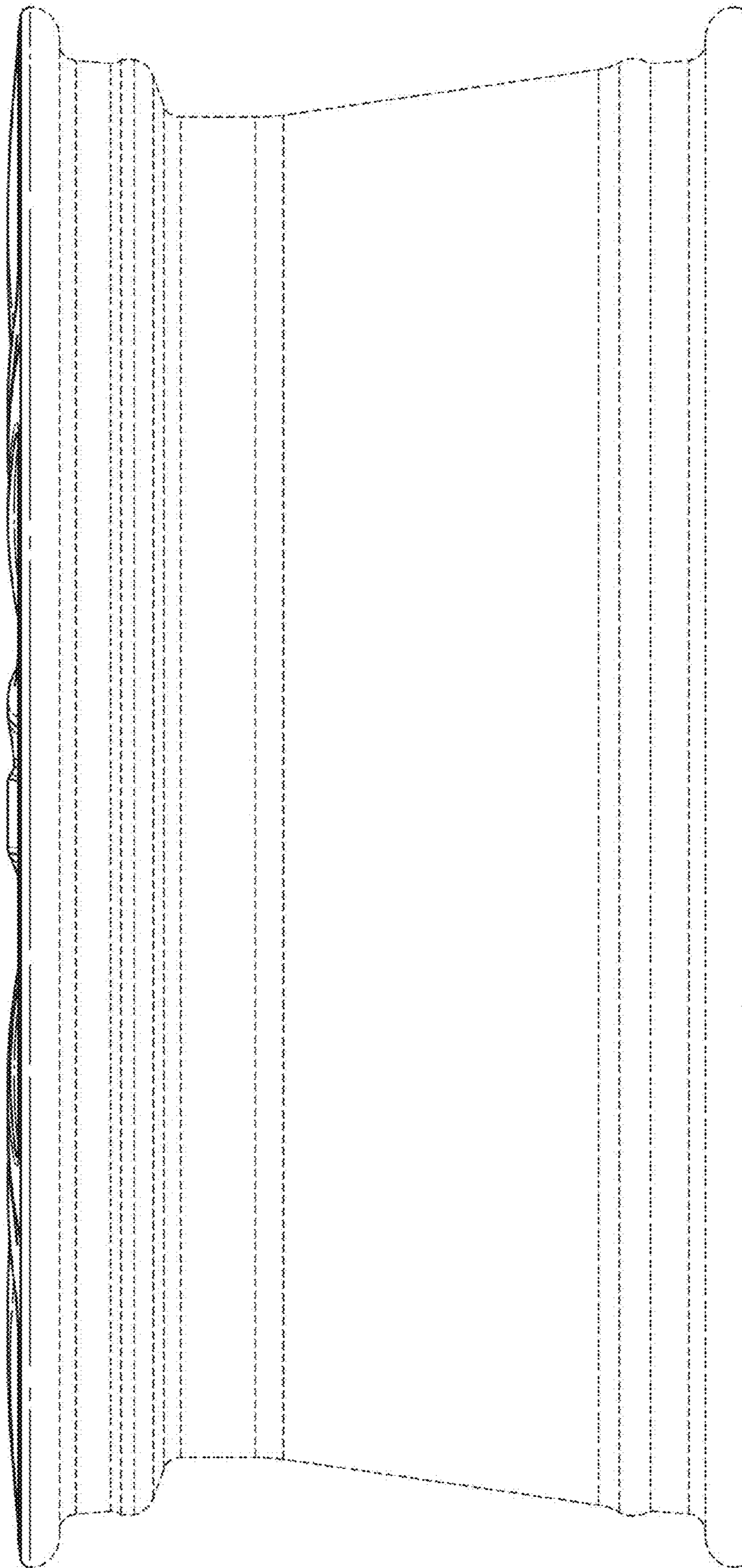


FIG. 8