



US00D970414S

(12) **United States Design Patent**
Dunford

(10) **Patent No.:** **US D970,414 S**

(45) **Date of Patent:** **** Nov. 22, 2022**

(54) **VEHICLE WHEEL**

(71) Applicant: **Matthew W. Dunford**, Clawson, MI
(US)

(72) Inventor: **Matthew W. Dunford**, Clawson, MI
(US)

(73) Assignee: **FCA US LLC**, Auburn Hills, MI (US)

(**) Term: **15 Years**

(21) Appl. No.: **29/765,162**

(22) Filed: **Jan. 6, 2021**

(51) **LOC (13) Cl.** **12-16**

(52) **U.S. Cl.**
USPC **D12/209**

(58) **Field of Classification Search**
USPC D12/204–213; D21/563
CPC B60B 7/00; B60B 7/01; B60B 7/02; B60B
7/04; B60B 7/06; B60B 3/02; B60B 3/04;
B60B 3/06; B60B 3/10; B60B 1/00;
B60B 1/08; B60B 1/10; B60B 1/12
See application file for complete search history.

(56) **References Cited**

U.S. PATENT DOCUMENTS

D584,672 S * 1/2009 Osborne D12/209
D763,764 S * 8/2016 Dunford D12/209

D765,002 S * 8/2016 Hoste D12/209
D791,036 S * 7/2017 Owens D12/209
D808,324 S * 1/2018 Ninov D12/211
D851,006 S * 6/2019 Hans D12/209
D922,292 S * 6/2021 Kaoud D12/209
D922,294 S * 6/2021 Kaoud D12/209
D933,565 S * 10/2021 Tovey D12/209
D941,726 S * 1/2022 Devers D12/209
D944,707 S * 3/2022 Echazabal D12/209

* cited by examiner

Primary Examiner — Cary M Robinson

Assistant Examiner — Adam C Mager

(74) *Attorney, Agent, or Firm* — Ralph E. Smith

(57) **CLAIM**

The ornamental design for a vehicle wheel, as shown and described.

DESCRIPTION

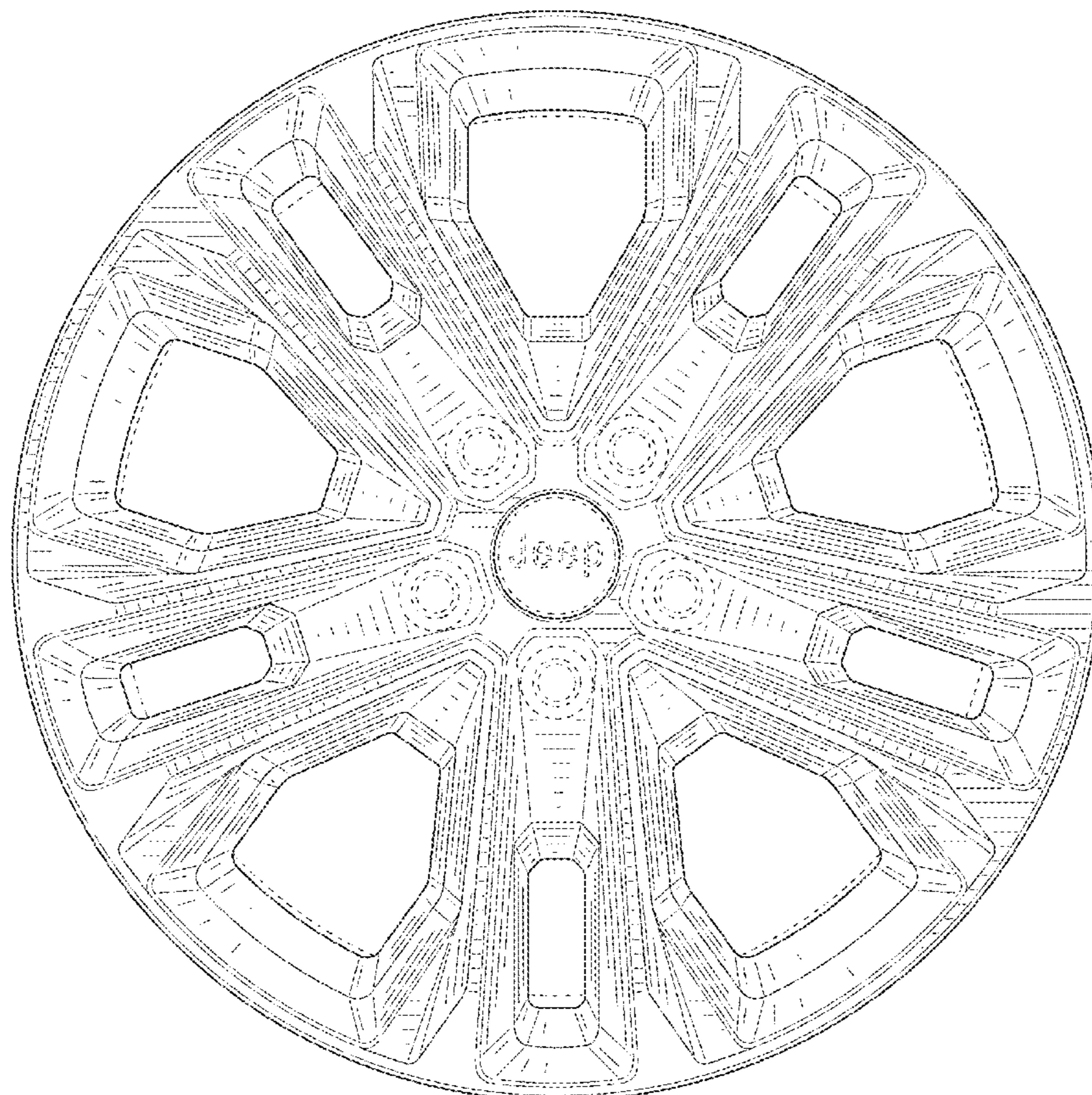
FIG. 1 is a right perspective view of a vehicle wheel showing our new design;

FIG. 2 is a left perspective view thereof; and,

FIG. 3 is a front view thereof.

It will be understood that the broken lines shown in the drawings illustrate portions of the vehicle wheel that form no part of the claimed design.

1 Claim, 3 Drawing Sheets



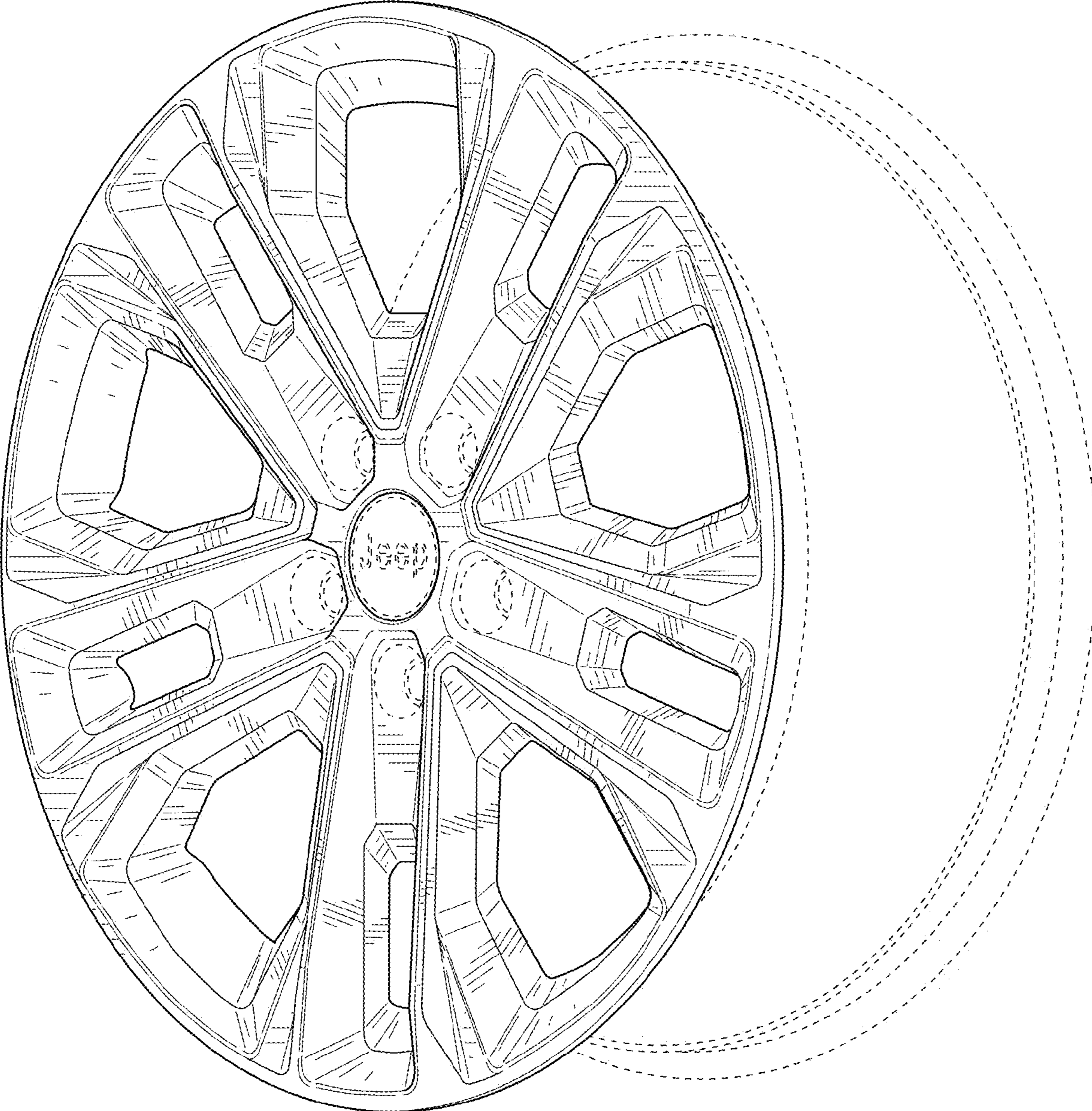


FIG. 1

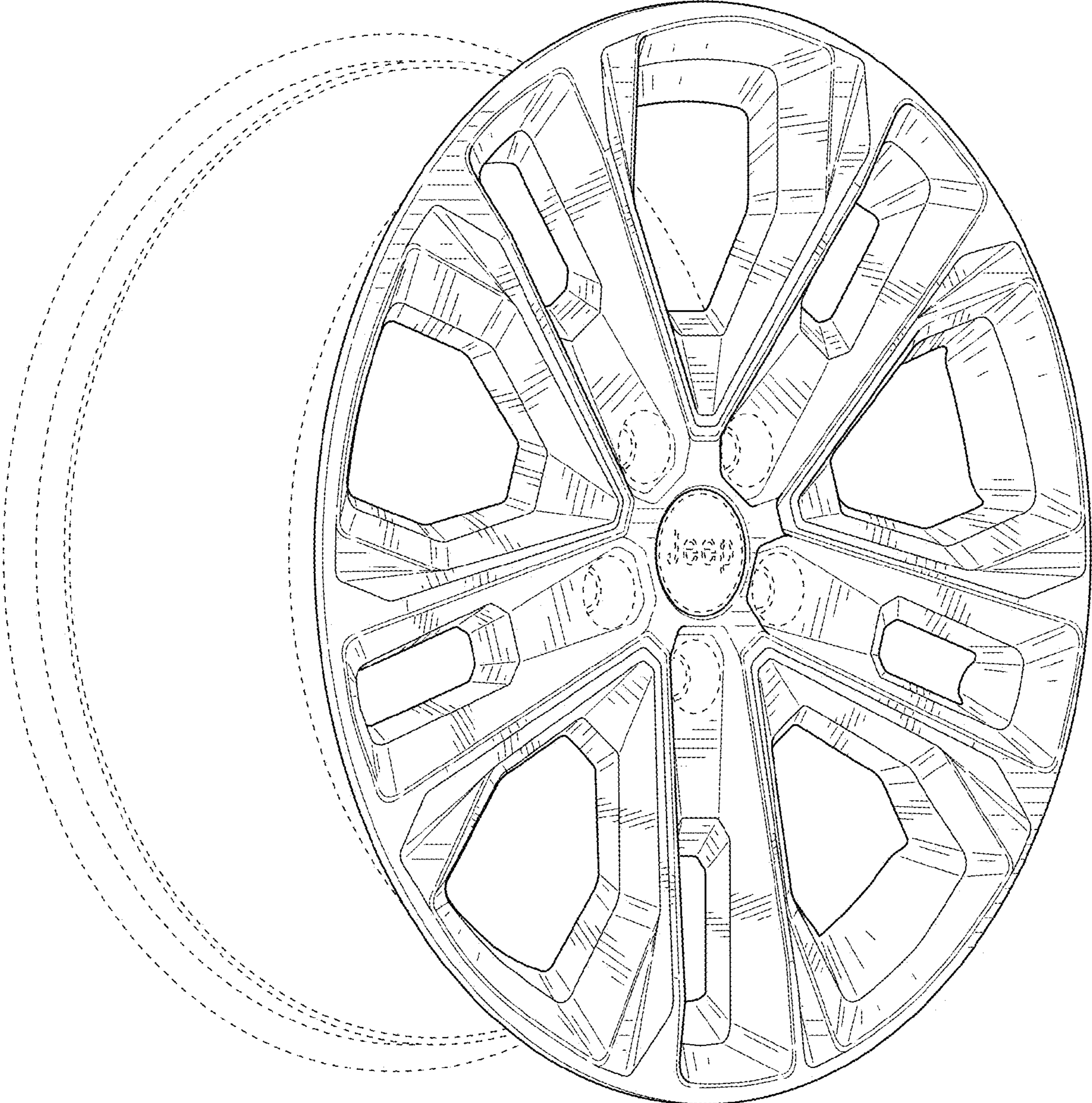


FIG. 2

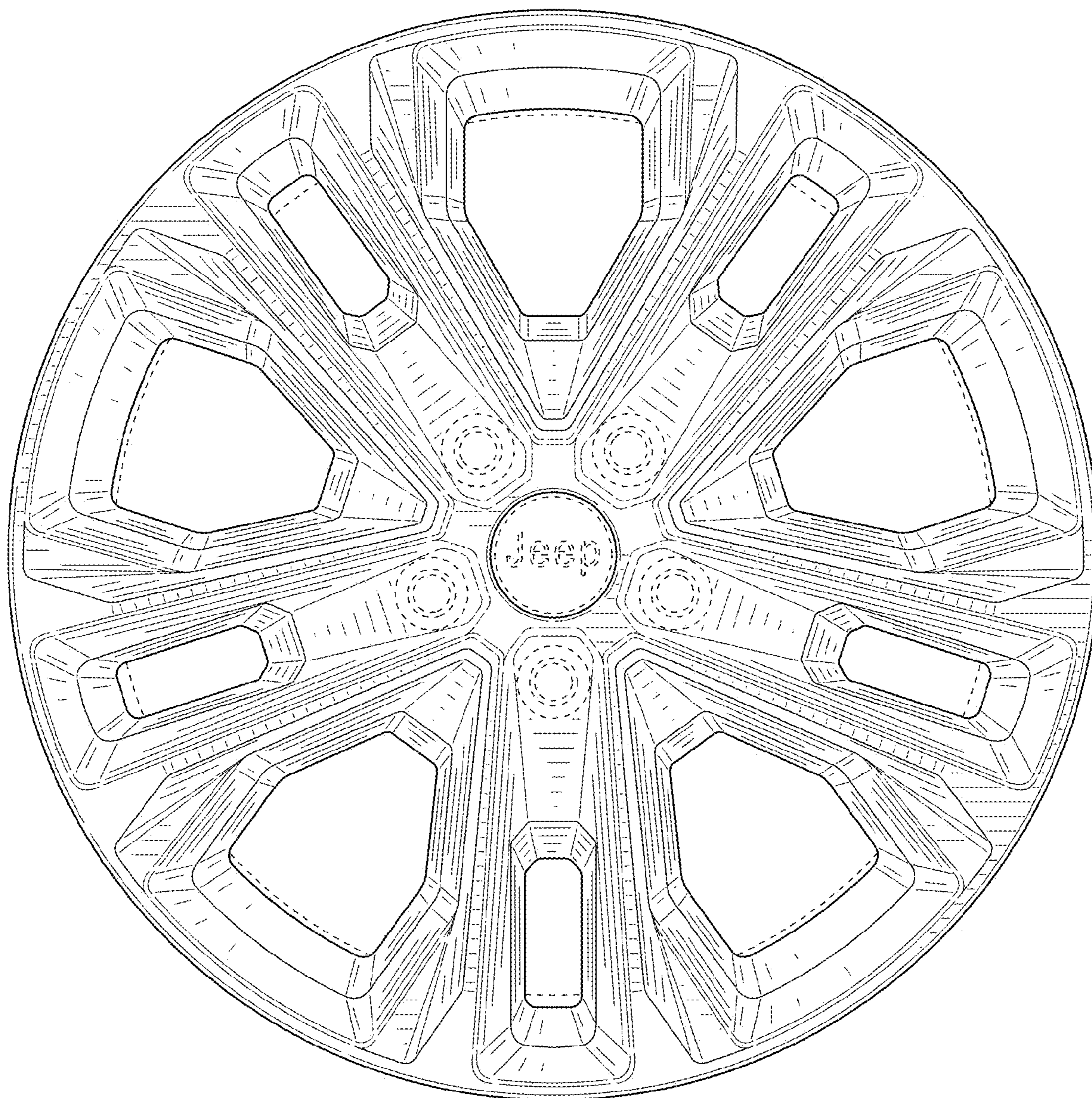


FIG. 3