

US00D970413S

(12) **United States Design Patent** (10) **Patent No.:** **US D970,413 S**
Dunford et al. (45) **Date of Patent:** **** Nov. 22, 2022**

- (54) **VEHICLE WHEEL**
- (71) Applicants: **Matthew W. Dunford**, Clawson, MI (US); **Eugenio Sellaro-Neto**, Detroit, MI (US); **Chris Piscitelli**, West Bloomfield, MI (US)
- (72) Inventors: **Matthew W. Dunford**, Clawson, MI (US); **Eugenio Sellaro-Neto**, Detroit, MI (US); **Chris Piscitelli**, West Bloomfield, MI (US)
- (73) Assignee: **FCA US LLC**, Auburn Hills, MI (US)
- (**) Term: **15 Years**
- (21) Appl. No.: **29/764,843**
- (22) Filed: **Jan. 4, 2021**
- (51) **LOC (13) Cl.** **12-16**
- (52) **U.S. Cl.**
USPC **D12/209**
- (58) **Field of Classification Search**
USPC D12/204–213; D21/563
CPC B60B 7/00; B60B 7/01; B60B 7/02; B60B 7/04; B60B 7/06; B60B 3/02; B60B 3/04; B60B 3/06; B60B 3/10; B60B 1/00; B60B 1/08; B60B 1/10; B60B 1/12
See application file for complete search history.

D842,192 S *	3/2019	Han	D12/209
D842,796 S *	3/2019	Groth	D12/209
D843,302 S *	3/2019	Khachatryan	D12/209
D852,704 S *	7/2019	Khachatryan	D12/209
D853,305 S *	7/2019	Valencia Pollex	D12/209
D859,265 S *	9/2019	Guidry	D12/209
D889,359 S *	7/2020	Gillam	D12/209
D919,537 S *	5/2021	Kaoud	D12/209
D928,060 S *	8/2021	Han	D12/209
D938,879 S *	12/2021	Skelley	D12/209

OTHER PUBLICATIONS

2022 Jeep Grand Cherokee 4xe, Published Jul. 8, 2021 [online], [retrieved on Jul. 1, 2022]. Retrieved from the Internet: <https://www.motortrend.com/news/2022-jeep-grand-cherokee-4xe-first-look-review> (Year: 2021).*

* cited by examiner

Primary Examiner — Cary M Robinson

Assistant Examiner — Adam C Mager

(74) *Attorney, Agent, or Firm* — Ralph E Smith

(57) **CLAIM**

The ornamental design for a vehicle wheel, as shown and described.

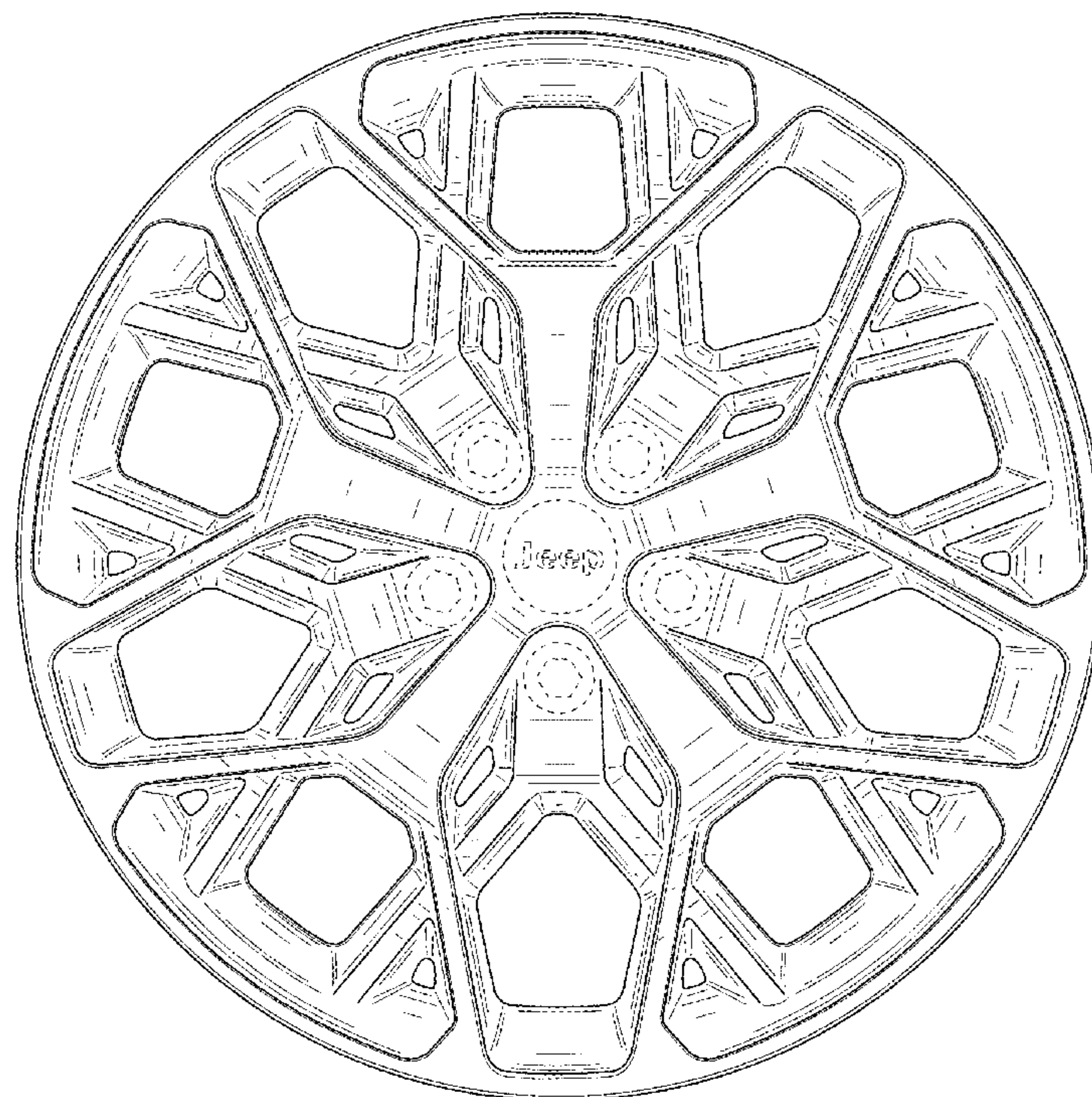
DESCRIPTION

FIG. 1 is a front view of a vehicle wheel showing our new design; FIG. 2 is a right perspective view thereof; and, FIG. 3 is a left perspective view thereof. It will be understood that the broken lines shown in the drawings illustrate portions of the vehicle wheel that form no part of the claimed design.

1 Claim, 3 Drawing Sheets

(56) **References Cited**
U.S. PATENT DOCUMENTS

D733,024 S *	6/2015	Valencia Pollex	D12/209
D802,510 S *	11/2017	Groth	D12/209
D839,813 S *	2/2019	Zhen	D12/209



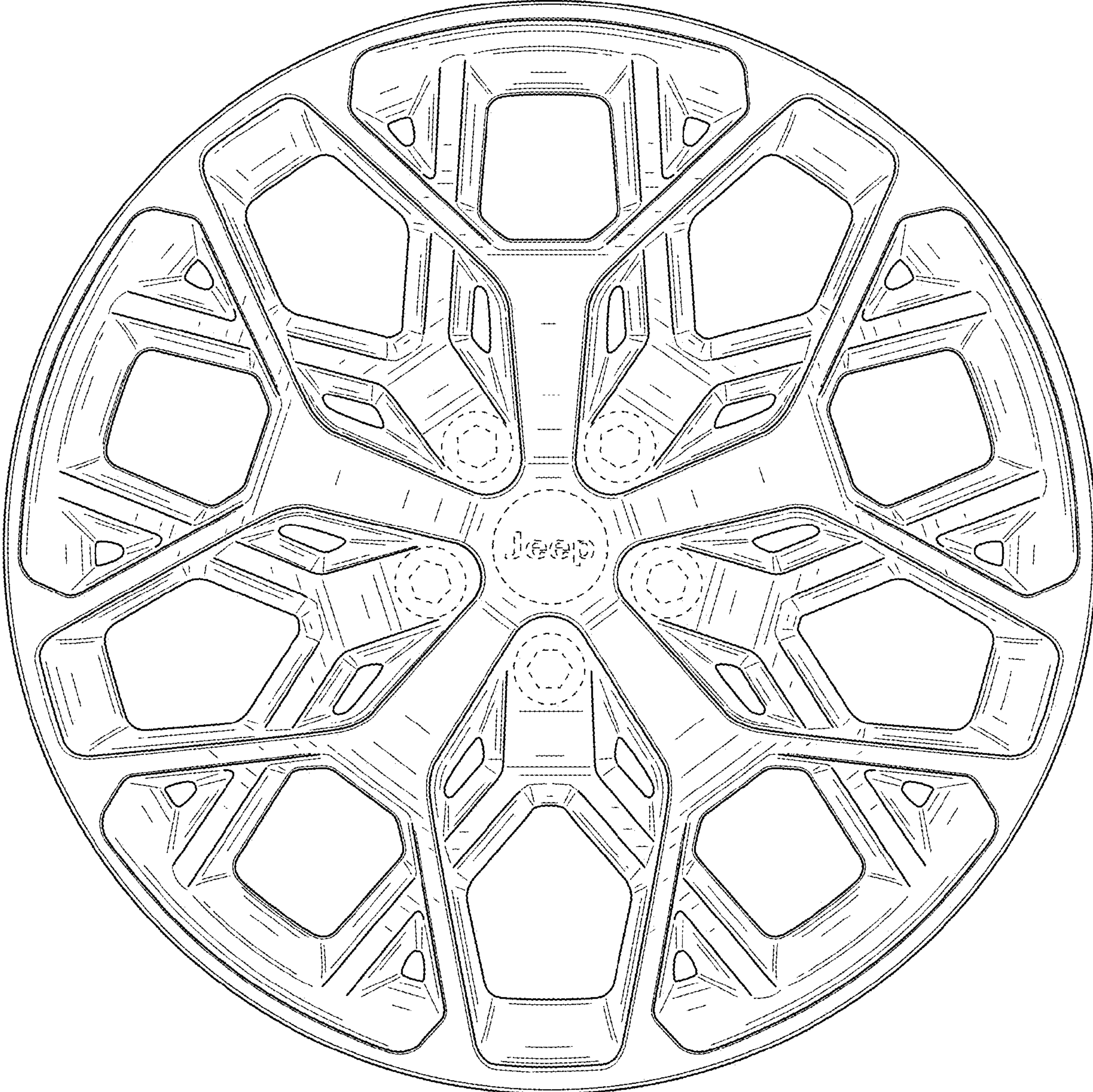


FIG. 1

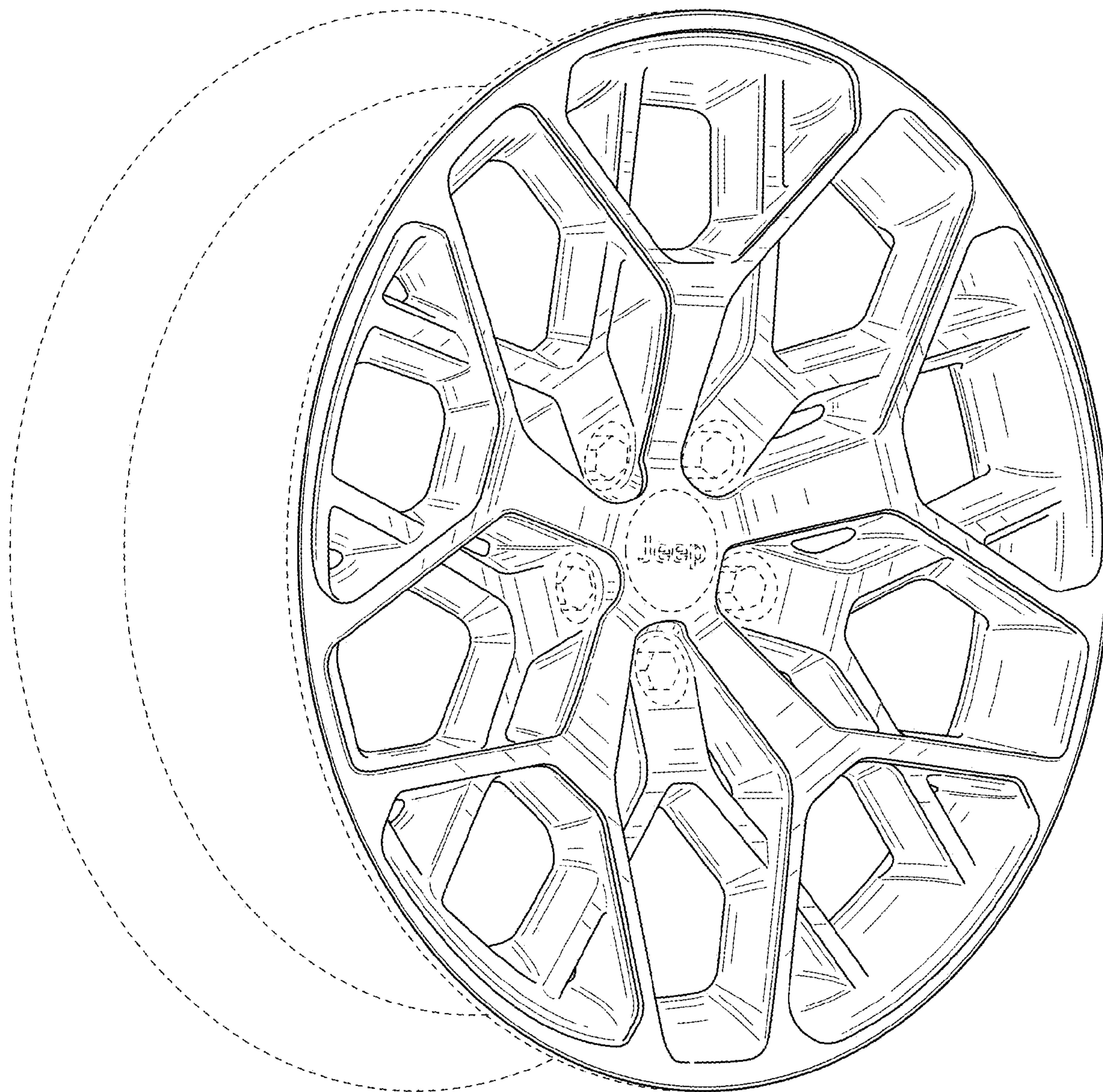


FIG. 2

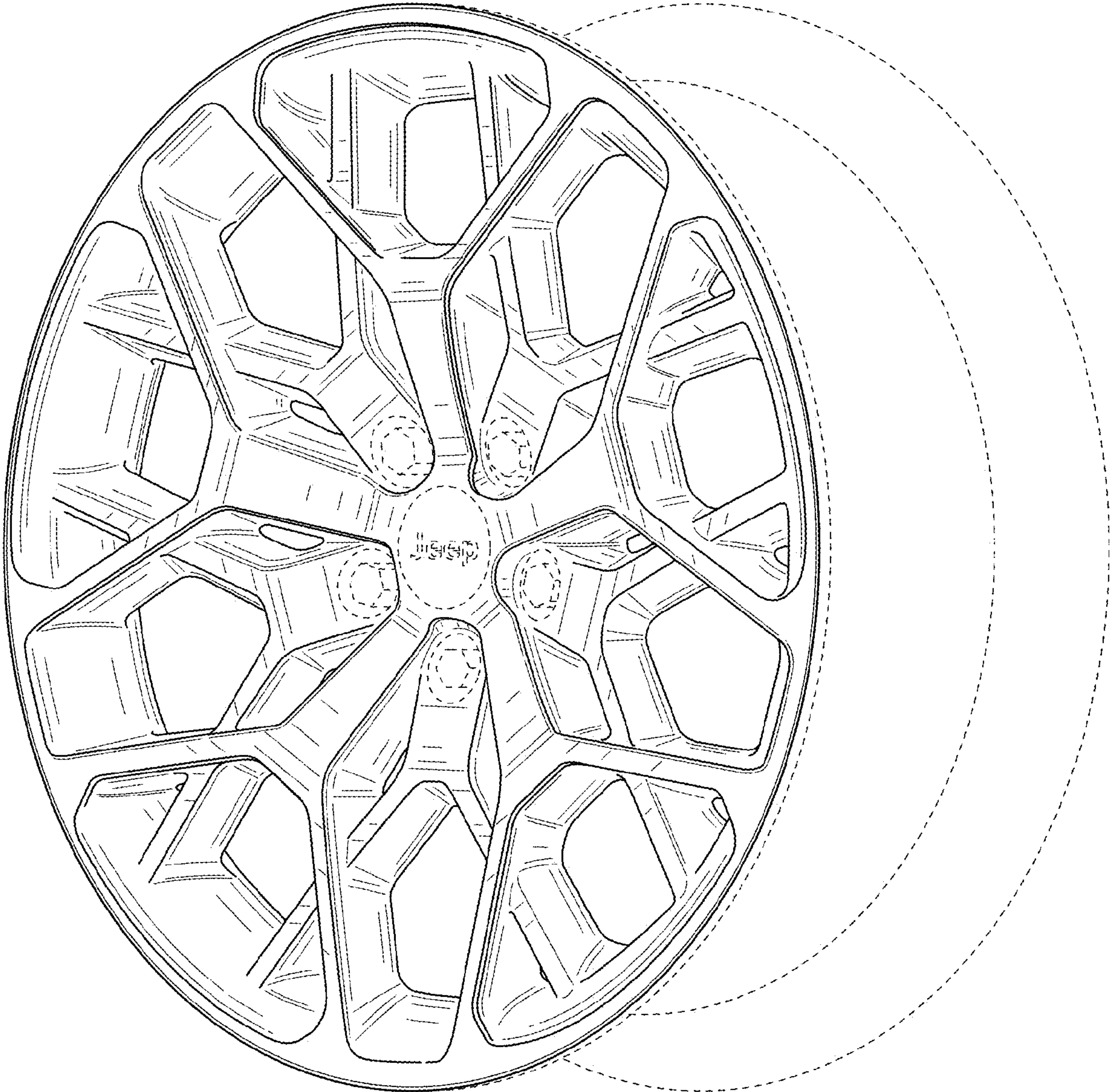


FIG. 3