

US00D970412S

(12) **United States Design Patent**  
**Fisker**

(10) **Patent No.:** **US D970,412 S**

(45) **Date of Patent:** **\*\* Nov. 22, 2022**

(54) **WHEEL**

D904,269 S \* 12/2020 Bjerke ..... D12/209  
D904,270 S \* 12/2020 Bjerke ..... D12/209  
D937,731 S \* 12/2021 Bjerke ..... D12/209

(71) Applicant: **Fisker Inc.**, Los Angeles, CA (US)

(72) Inventor: **Henrik Fisker**, Los Angeles, CA (US)

(73) Assignee: **Fisker, Inc.**, Los Angeles, CA (US)

(\*\*) Term: **15 Years**

(21) Appl. No.: **29/762,488**

(22) Filed: **Dec. 16, 2020**

(51) **LOC (13) Cl.** ..... **12-16**

(52) **U.S. Cl.**

USPC ..... **D12/209**

(58) **Field of Classification Search**

USPC ..... D12/204–213; D21/563

CPC .... B60B 7/00; B60B 7/01; B60B 7/02; B60B

7/04; B60B 7/06; B60B 3/02; B60B 3/04;

B60B 3/06; B60B 3/10; B60B 1/00;

B60B 1/08; B60B 1/10; B60B 1/12

See application file for complete search history.

(56) **References Cited**

**U.S. PATENT DOCUMENTS**

D838,651 S \* 1/2019 Kato ..... D12/209  
D841,554 S \* 2/2019 Tamura ..... D12/209  
D848,336 S \* 5/2019 Holly ..... D12/209  
D862,352 S \* 10/2019 Bjerke ..... D12/209  
D877,024 S \* 3/2020 Valencia Pollex ..... D12/209  
D877,032 S \* 3/2020 Baum ..... D12/211  
D893,382 S \* 8/2020 Tanaka ..... D12/209  
D893,383 S \* 8/2020 Tanaka ..... D12/209  
D901,355 S \* 11/2020 Daniel ..... D12/209  
D903,570 S \* 12/2020 Myrberg ..... D12/209

**OTHER PUBLICATIONS**

Fisker Ocean, Published Mar. 29, 2022 [online], [retrieved on Jun. 24, 2022], Retrieved from the Internet: <https://coverking.com/blogs/blog/the-first-look-at-the-fisker-ocean-the-solar-powered-ev> (Year: 2022).\*

\* cited by examiner

*Primary Examiner* — Cary M Robinson

*Assistant Examiner* — Adam C Mager

(74) *Attorney, Agent, or Firm* — Finnegan, Henderson, Farabow, Garrett & Dunner, LLP

(57) **CLAIM**

The ornamental design for a wheel, as shown and described.

**DESCRIPTION**

FIG. 1 is a front, bottom, right perspective view for a wheel, showing the new design;

FIG. 2 is a front, top, left perspective view thereof;

FIG. 3 is a front elevation view thereof;

FIG. 4 is a rear elevation view thereof;

FIG. 5 is a left side thereof;

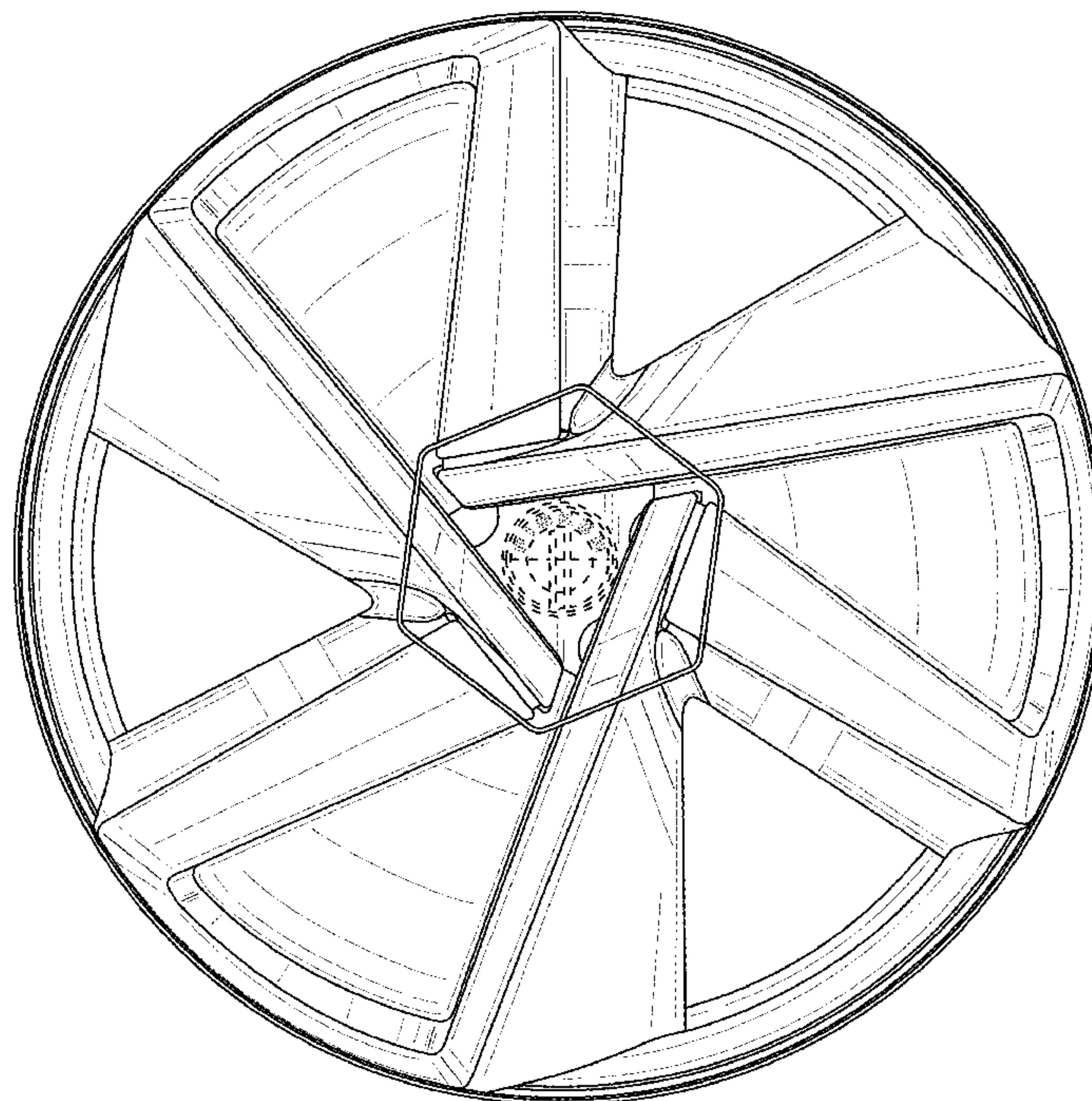
FIG. 6 is a right side view thereof;

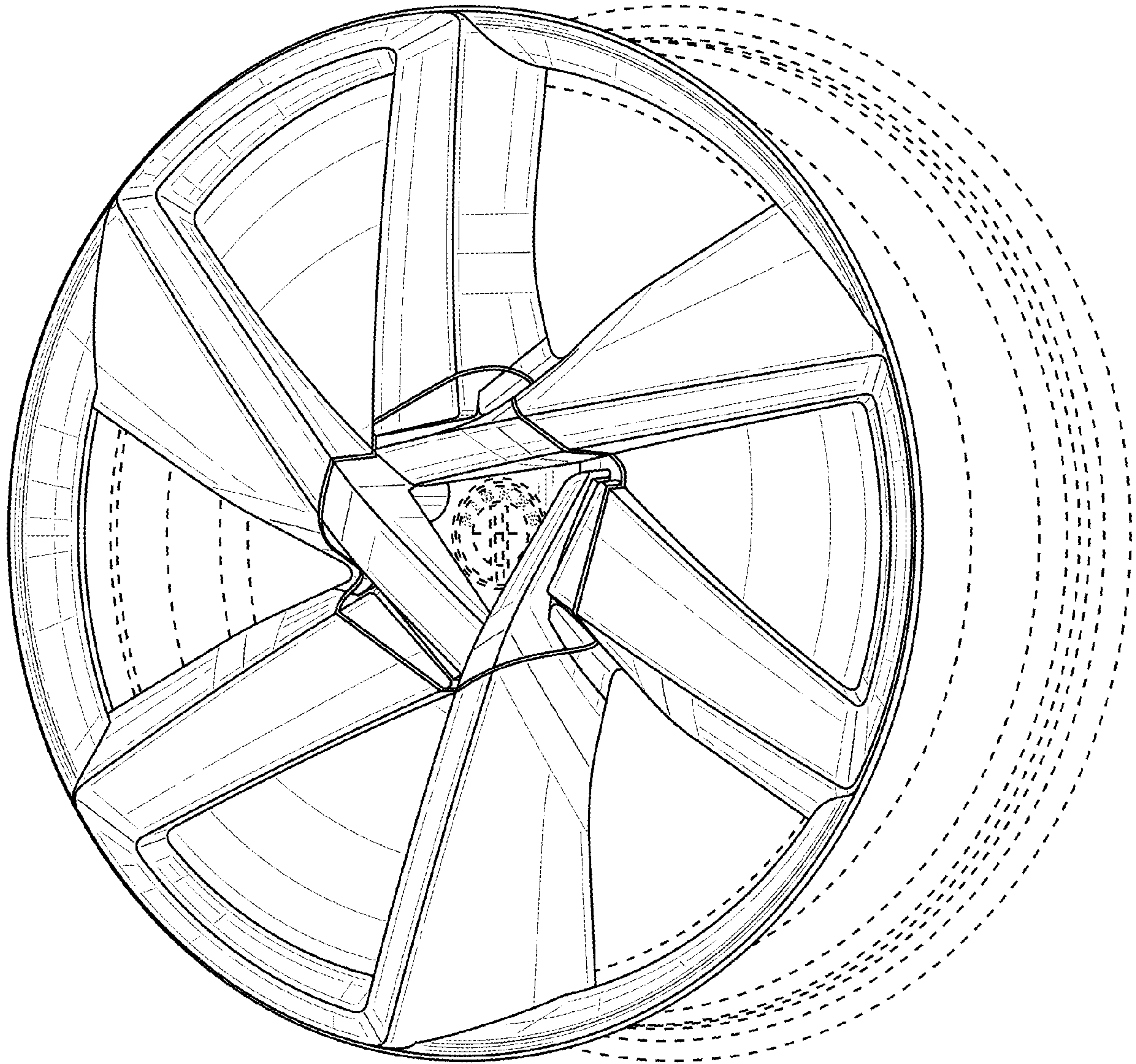
FIG. 7 is a top plan view thereof; and,

FIG. 8 is a bottom plan view thereof.

The broken lines of uneven length illustrate the boundary of the claimed design and form no part thereof. The broken lines of even length shown in the drawings illustrate portions of the wheel in which the design is embodied that form no part of the claimed design.

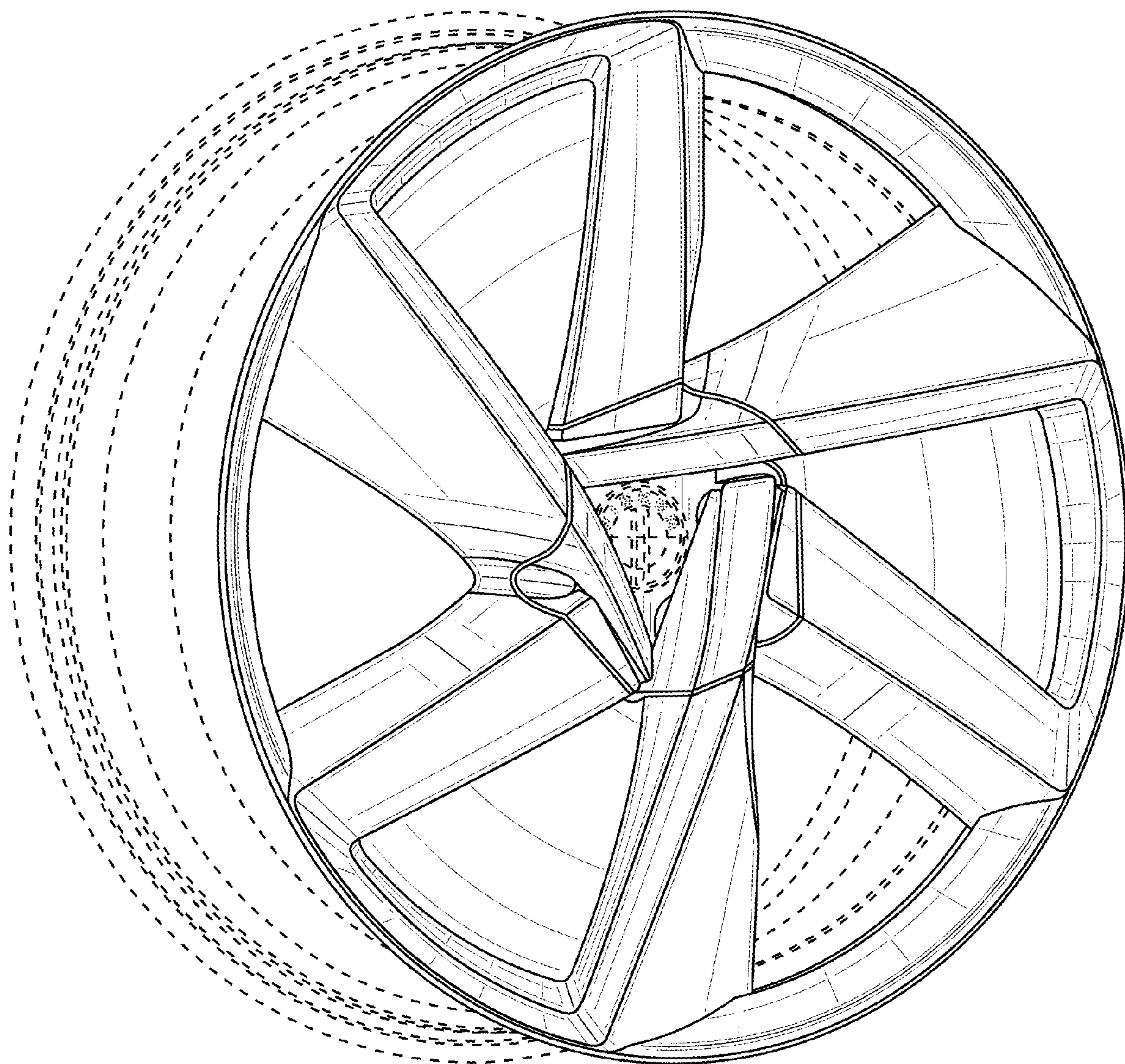
**1 Claim, 8 Drawing Sheets**



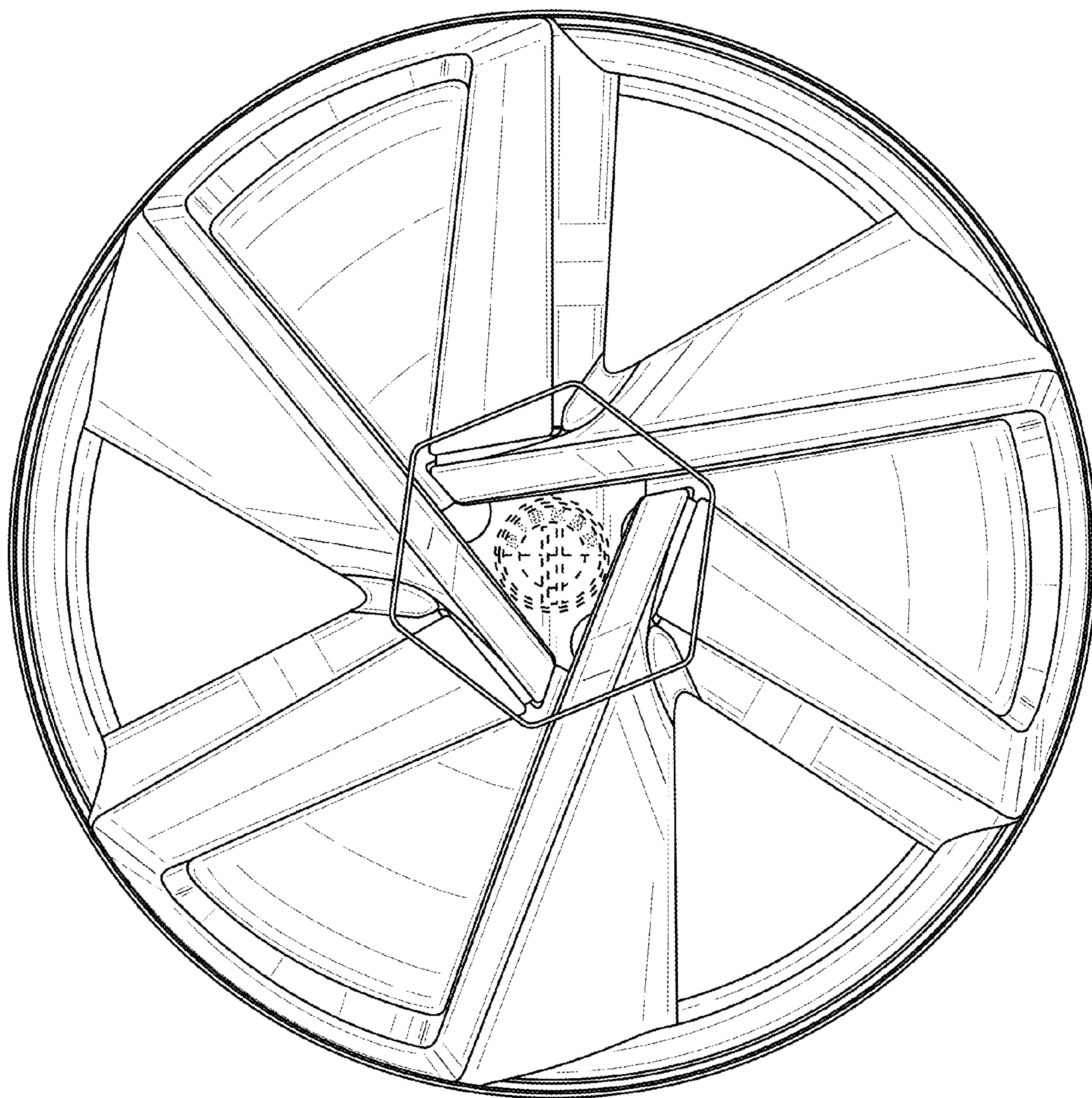


**FIG. 1**

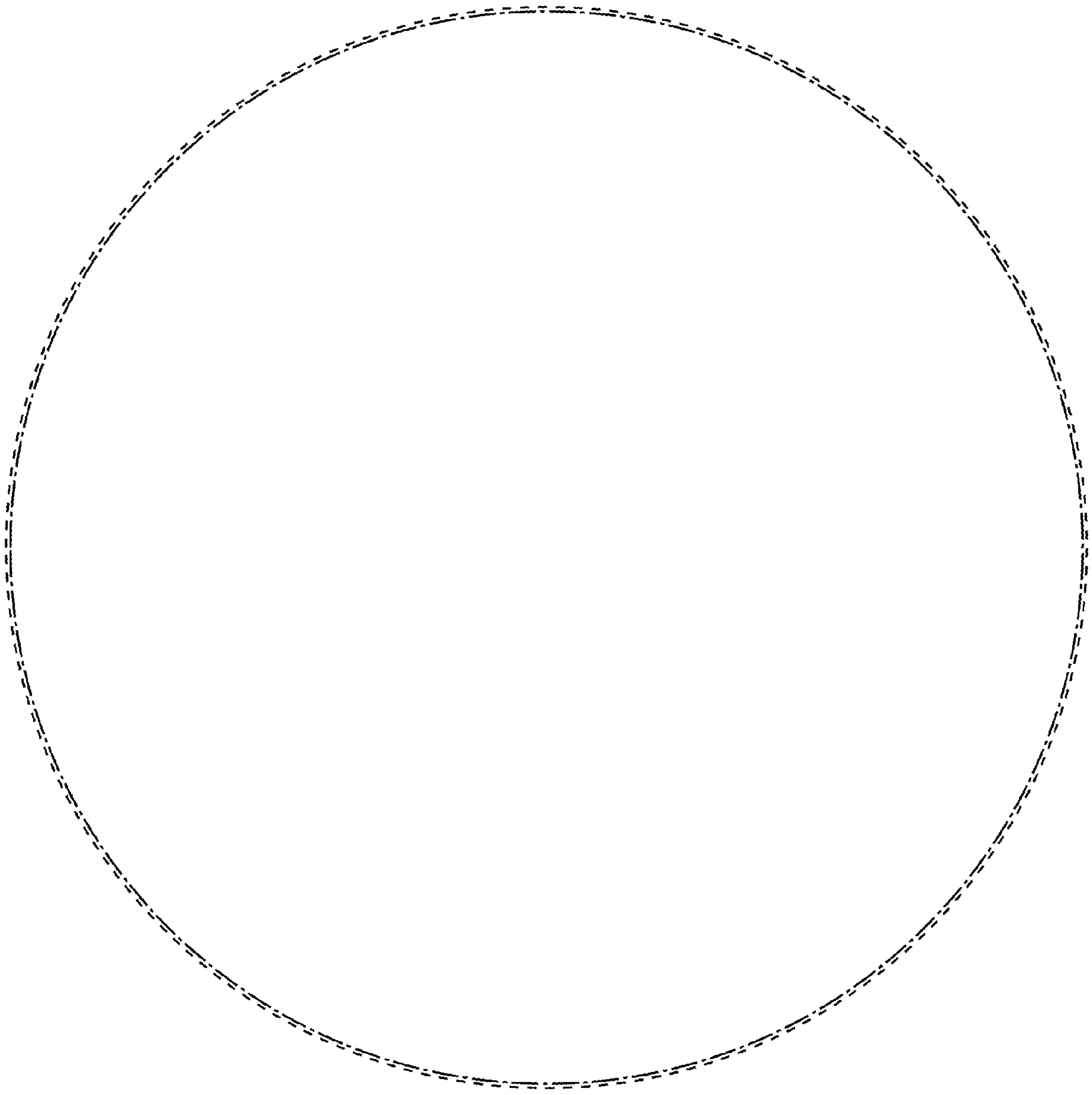




**FIG. 2**

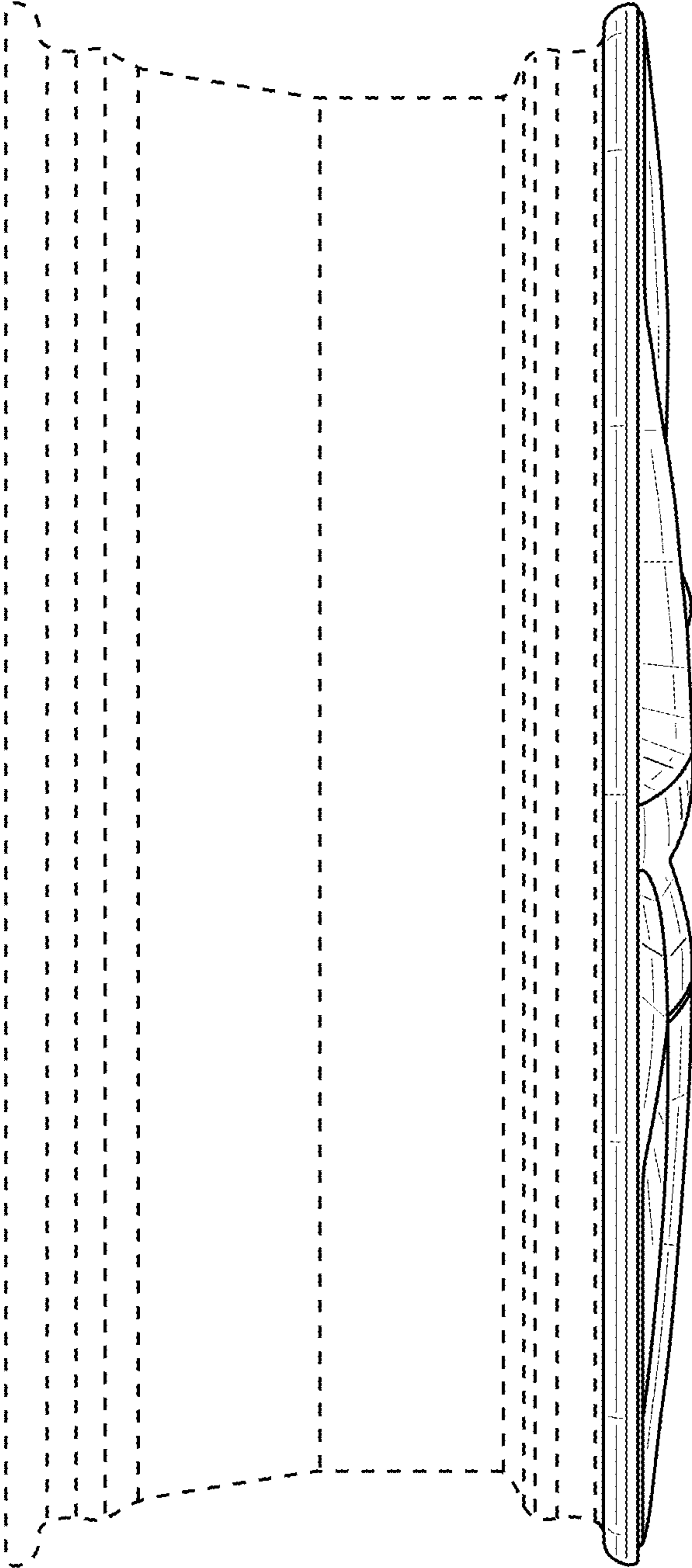


**FIG. 3**

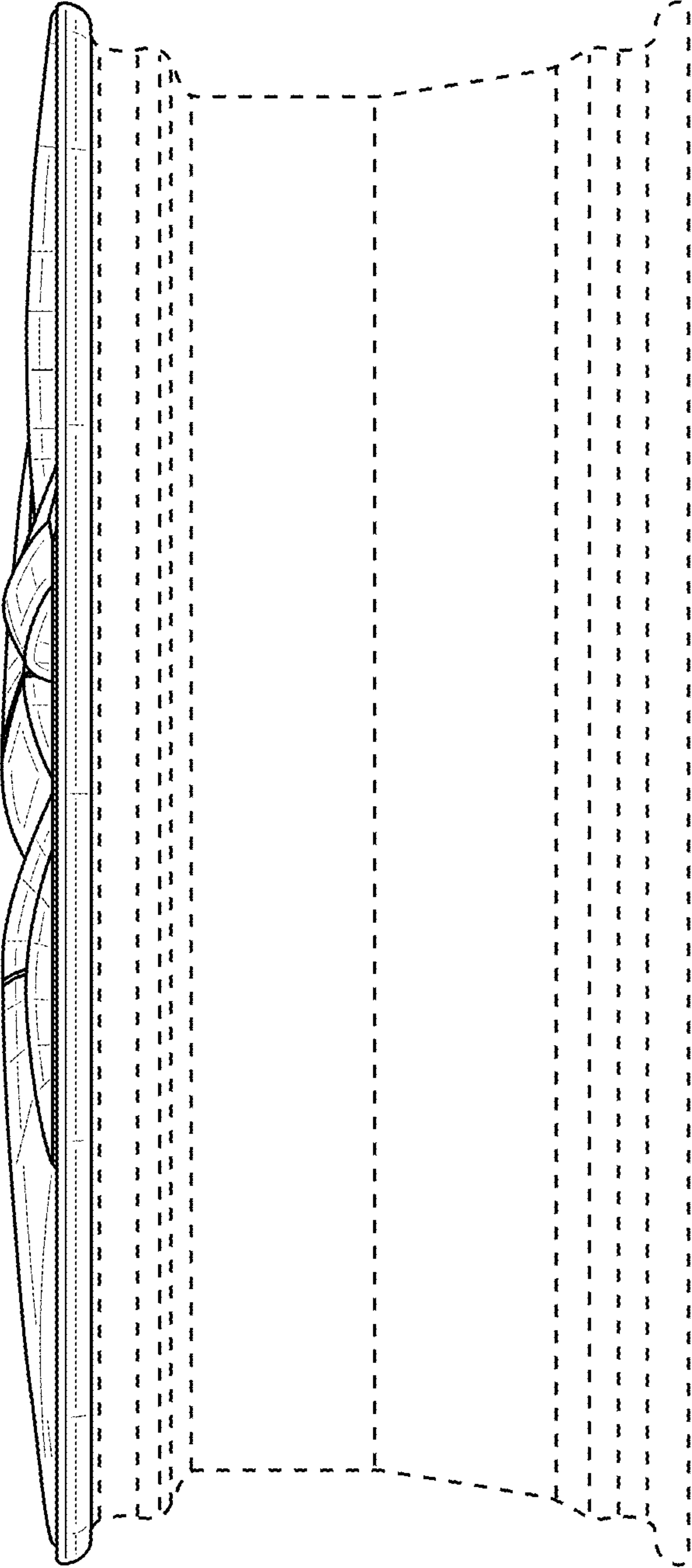


***FIG. 4***

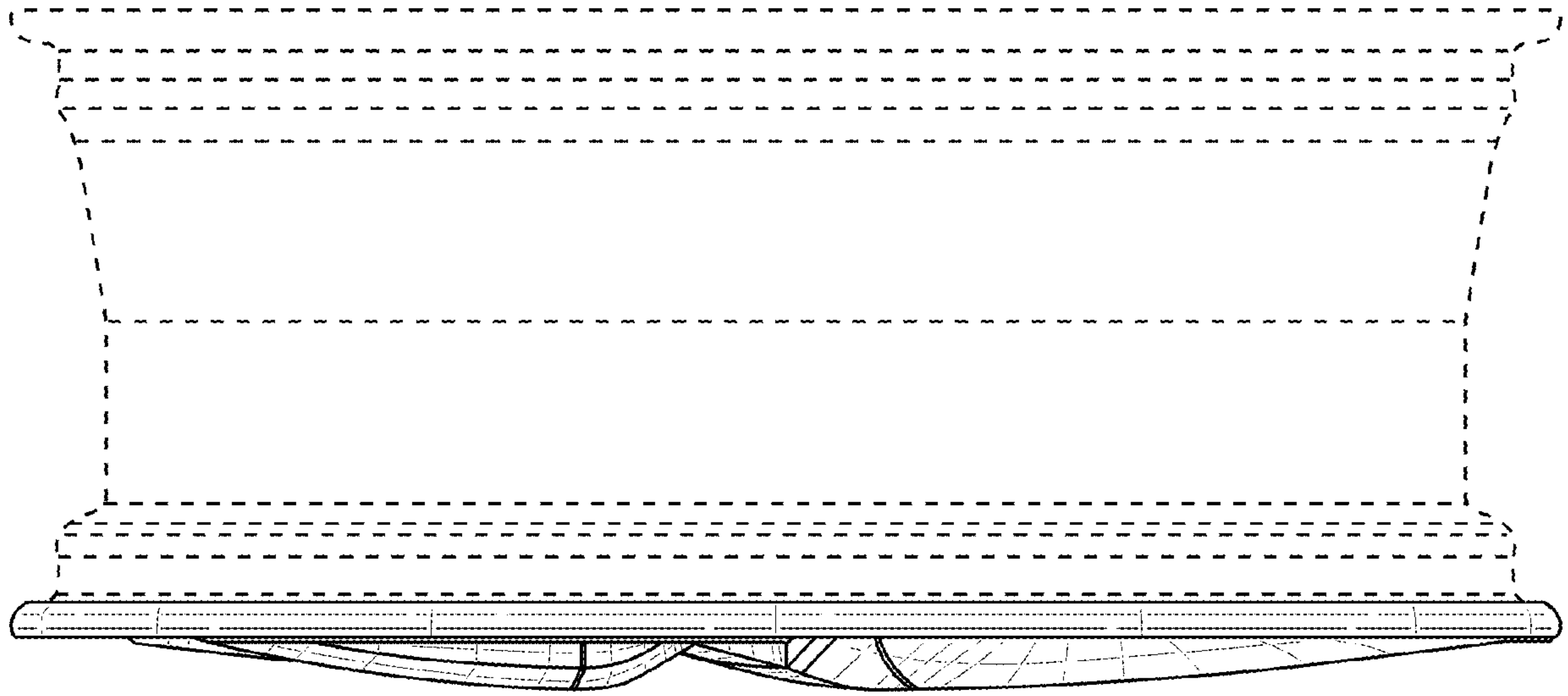




**FIG. 5**

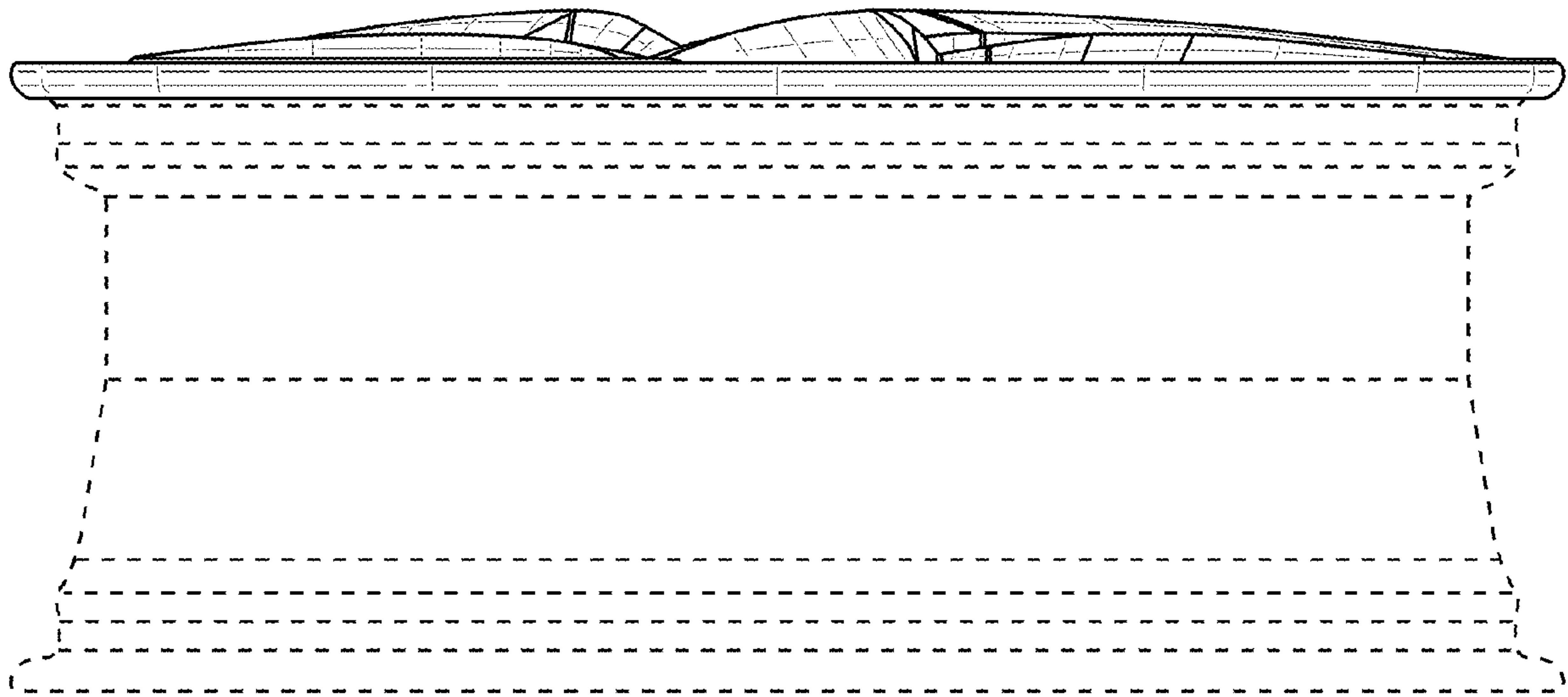


**FIG. 6**



**FIG. 7**





**FIG. 8**