



US00D970411S

(12) **United States Design Patent**
Tang

(10) **Patent No.:** **US D970,411 S**

(45) **Date of Patent:** **** Nov. 22, 2022**

(54) **CAR MAT**

(71) Applicant: **Guangzhou Wenrang Trading Co., Ltd.**, Guangzhou (CN)

(72) Inventor: **Jiawei Tang**, Lufeng (CN)

(73) Assignee: **Guangzhou Wenrang Trading Co., Ltd.**, Guangzhou (CN)

(**) Term: **15 Years**

(21) Appl. No.: **29/844,642**

(22) Filed: **Jun. 30, 2022**

(51) **LOC (13) Cl.** **12-16**

(52) **U.S. Cl.**
USPC **D12/203**

(58) **Field of Classification Search**
USPC D12/191, 203, 221, 400, 415, 419, 424;
D6/582-586, 592-594
CPC B60N 3/04; B60N 3/044; B60R 13/01
See application file for complete search history.

(56) **References Cited**

U.S. PATENT DOCUMENTS

D394,036 S *	5/1998	Mauffette	D12/203
D525,576 S *	7/2006	Lu		
D561,838 S *	2/2008	Beam	D20/27
D647,447 S *	10/2011	Lu	D12/203
D775,571 S *	1/2017	Gross	D12/203
D778,794 S *	2/2017	Bouie	D12/183
10,919,427 B1 *	2/2021	Assigno	B60N 3/044
D947,739 S *	4/2022	Cao	D12/203
D948,403 S *	4/2022	Xu	D12/203
2016/0304018 A1 *	10/2016	Chowdhury	B60N 3/048
2022/0117427 A1 *	4/2022	Jung	A47G 27/0206

FOREIGN PATENT DOCUMENTS

CN	307337119	*	5/2022
MY	07-1559-0101-0001	*	5/2009
PH	3-2017-100-0001	*	2/2017

OTHER PUBLICATIONS

OxGord All-Weather Rubber Cargo-Liner—Waterproof Trunk Protector/Cover for Rear, available in Amazon.com, date first available Jul.

18, 2014 [online], [site visited Sep. 13, 2022], Available from the internet URL: https://www.amazon.com/OxGord-WeatherShield-Rubber-Trunk-Trucks/dp/B00KHUQ2PU/ref=sr_1_245?keywords=Rear+FI.*

(Continued)

Primary Examiner — Darlington Ly

Assistant Examiner — D. Ryan Tisdale

(57) **CLAIM**

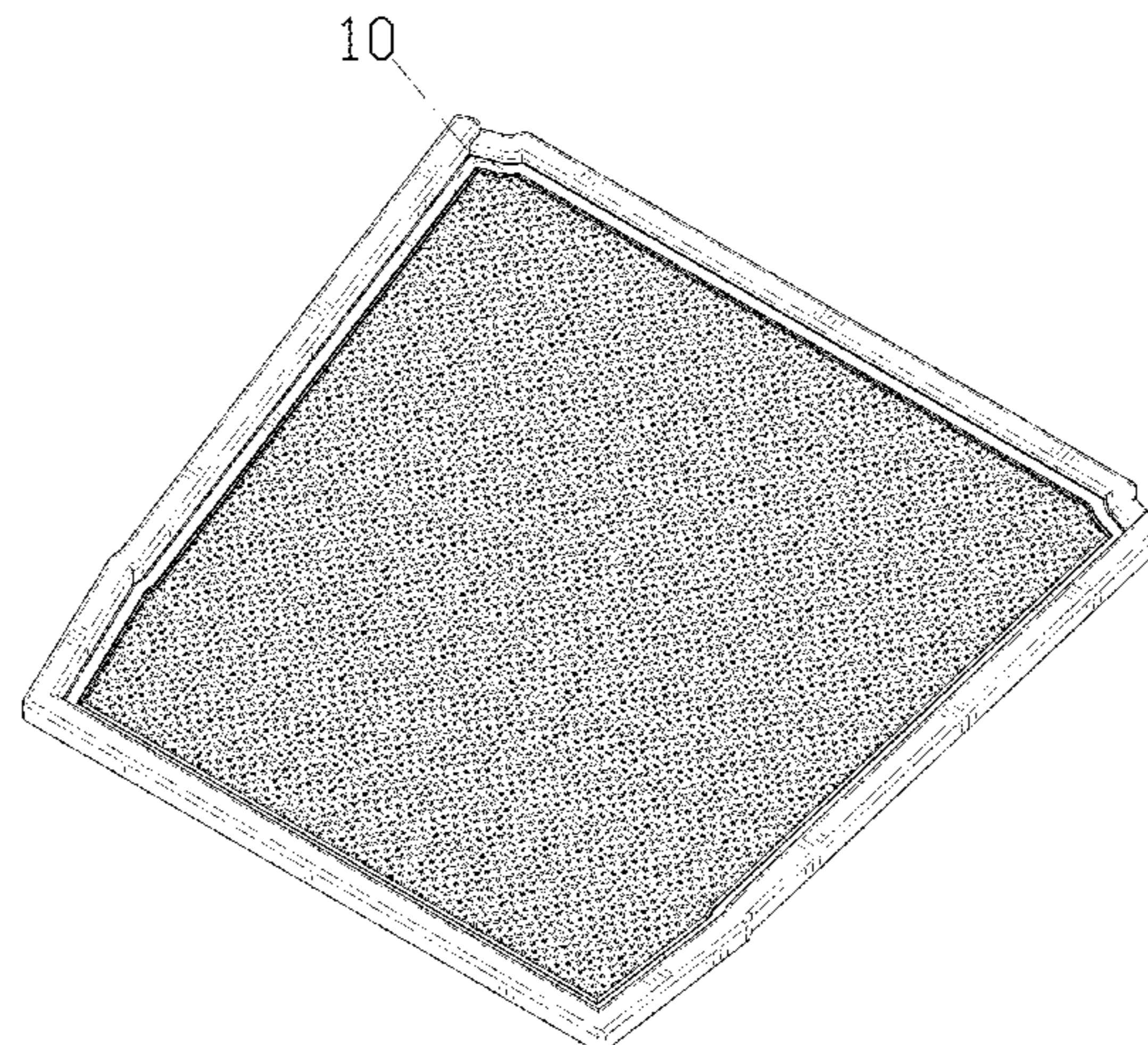
The ornamental design for a car mat, as shown and described.

DESCRIPTION

FIG. 1 is a front, right and bottom perspective view of a car mat showing my new design;
 FIG. 2 is a rear, left and top perspective view thereof;
 FIG. 3 is a front view thereof;
 FIG. 4 is a rear view thereof;
 FIG. 5 is a left side view thereof;
 FIG. 6 is a right side view thereof;
 FIG. 7 is a top plan view thereof;
 FIG. 8 is a bottom plan view thereof;
 FIG. 9 is perspective view shown in an environment of use; and,
 FIG. 10 is an enlarged partial view of FIG. 1.

The broken lines illustrating a part of the car in FIG. 9 are for the purpose of illustrating environmental subject matter that forms no part of the claimed design. The remaining broken lines in the drawings are for the purpose of illustrating portions of the car mat that form no part of the claimed design.

1 Claim, 10 Drawing Sheets



(56)

References Cited

OTHER PUBLICATIONS

Smartliner All Weather Cargo Trunk Liner Floor Mat Behind 3rd Row, available in Amazon.com, date first available Mar. 19, 2019 [online], [site visited Sep. 13, 2022], Available from the internet URL: https://www.amazon.com/SMARTLINER-Weather-2015-2019-Suburban-Escalade/dp/B07PYD5K36/ref=sr_1_267?keywords=Rear+Floor+Mats&q.*

Cargo Mats Compatible with Bronco Sport 2021 2022, QMPQRTS, available in Amazon.com, date first available Jun. 21, 2021 [online], [site visited Sep. 13, 2022], Available from the internet URL: https://www.amazon.com/Compatible-All-Weather-Protection-Waterproof-Qdorless/dp/B097N339CJ/ref=sr_1_176?crid=10FDNS0W4Z61J&keyword.*

* cited by examiner

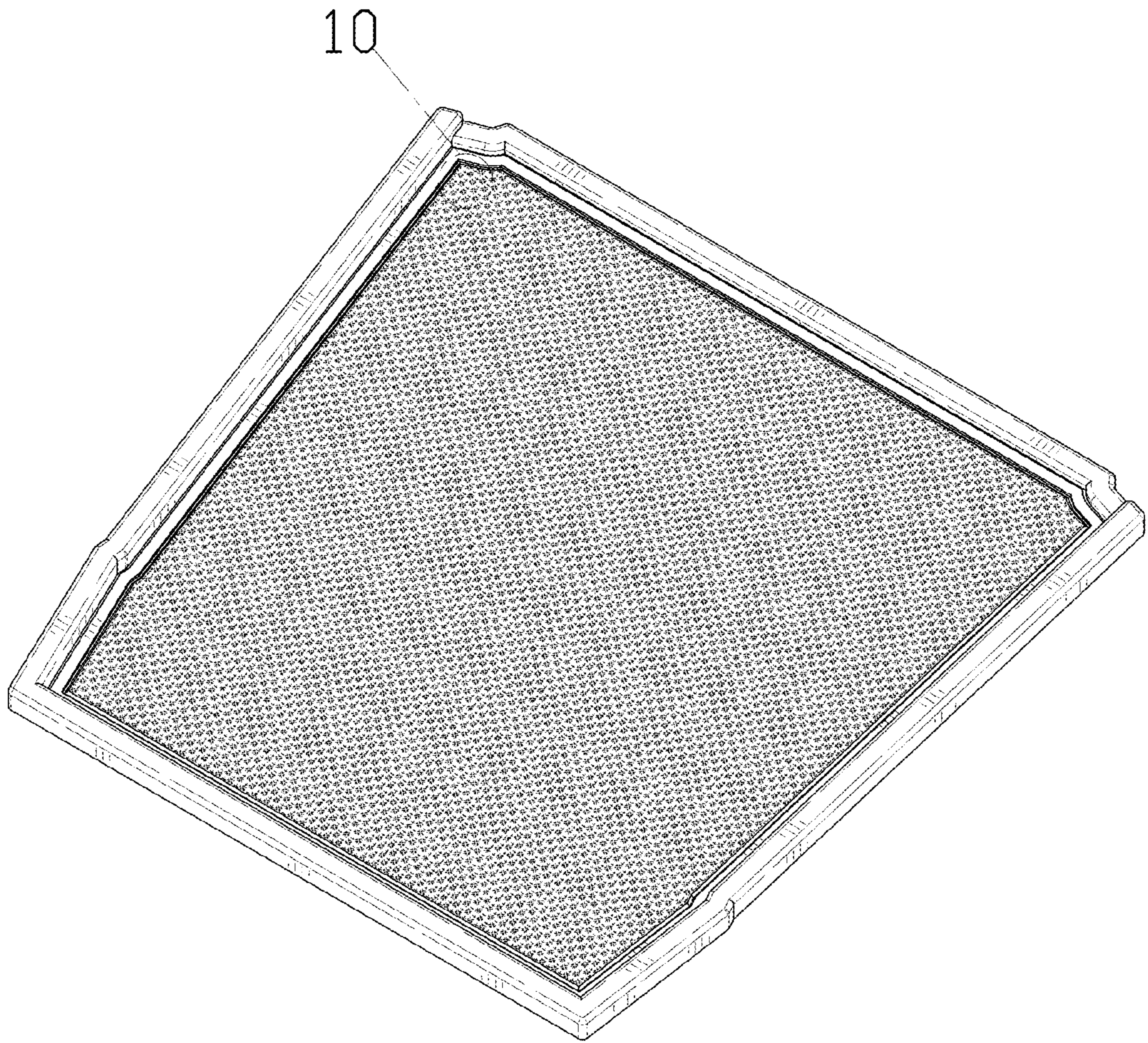


FIG. 1

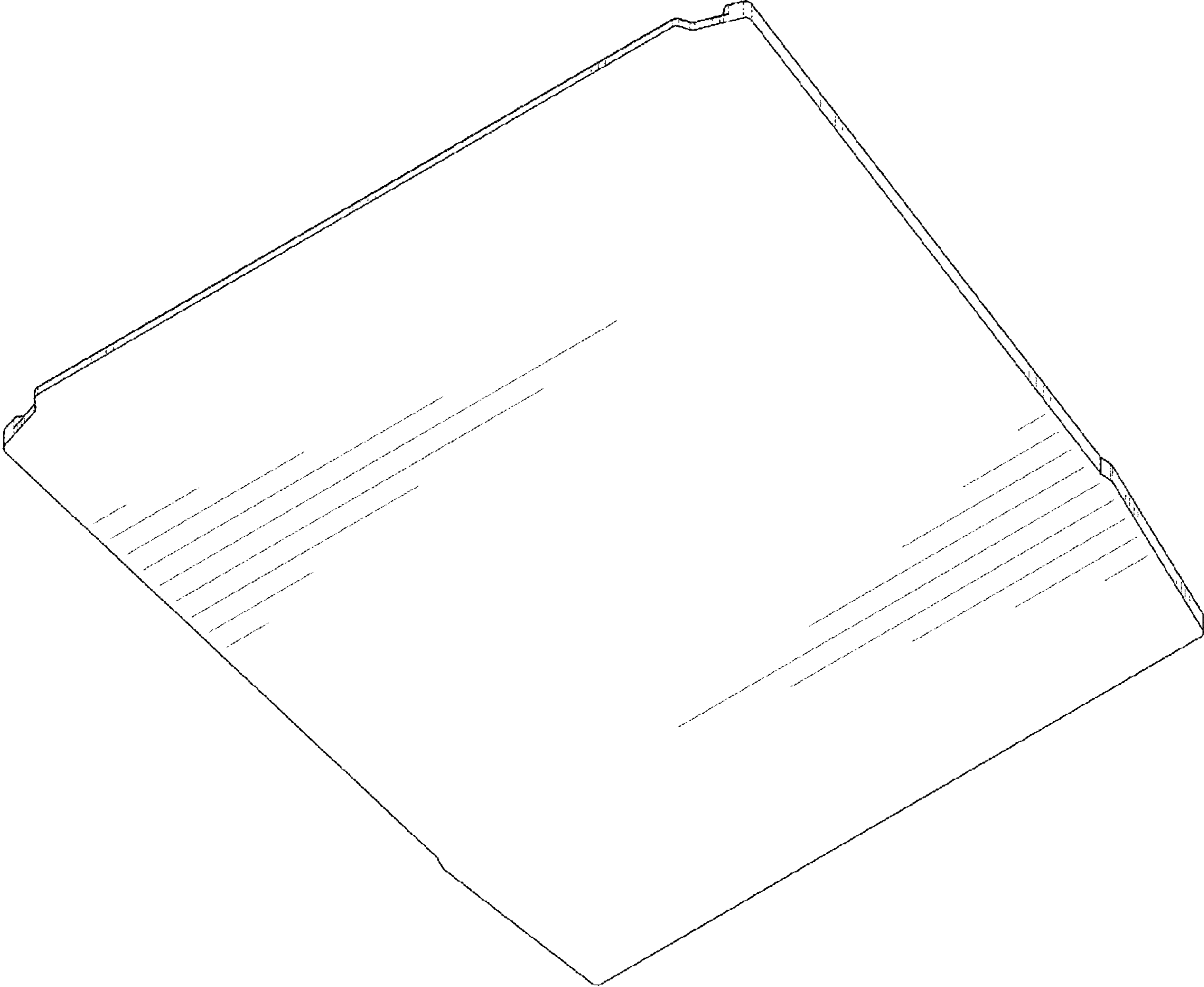


FIG. 2

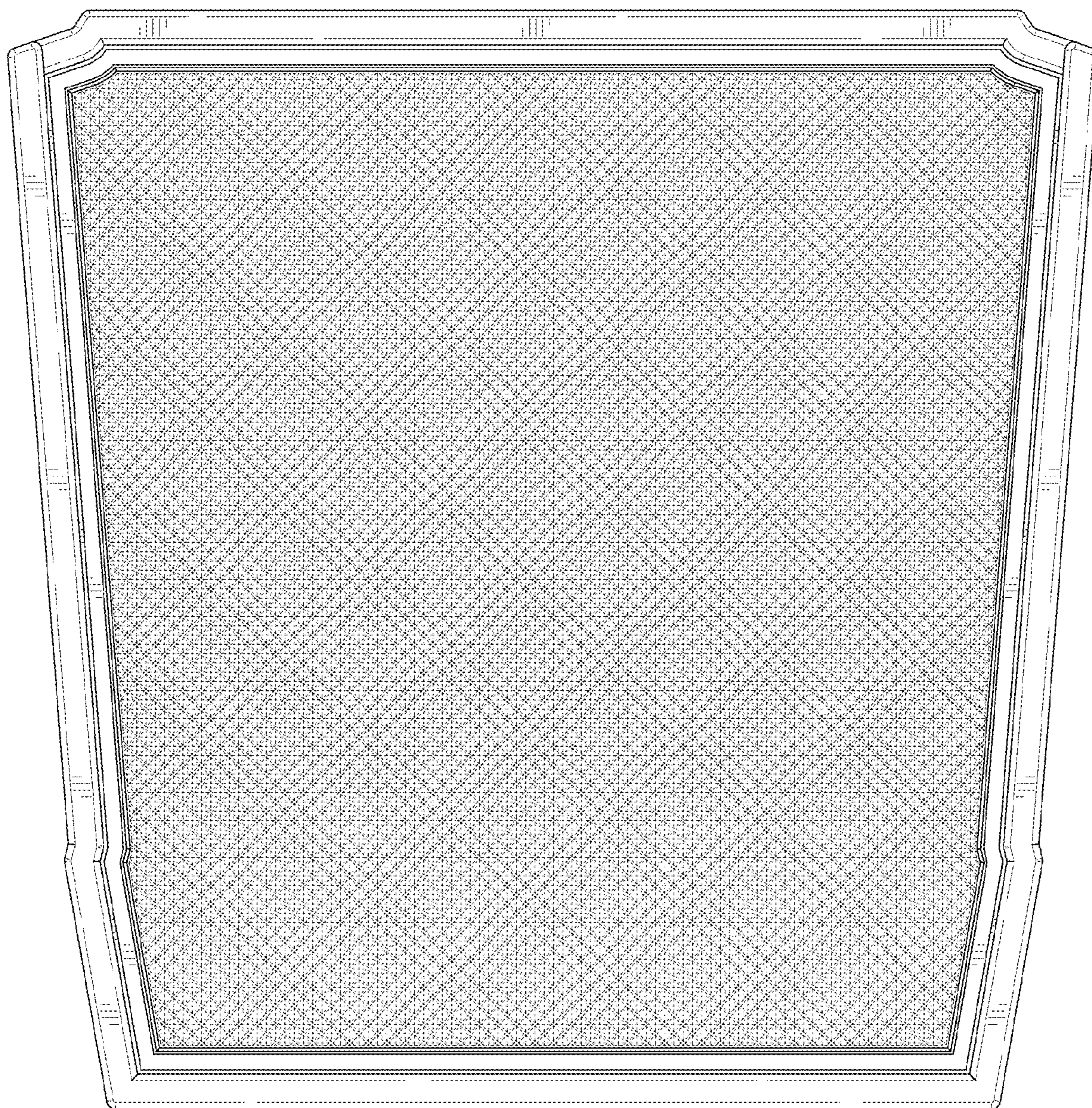


FIG. 3

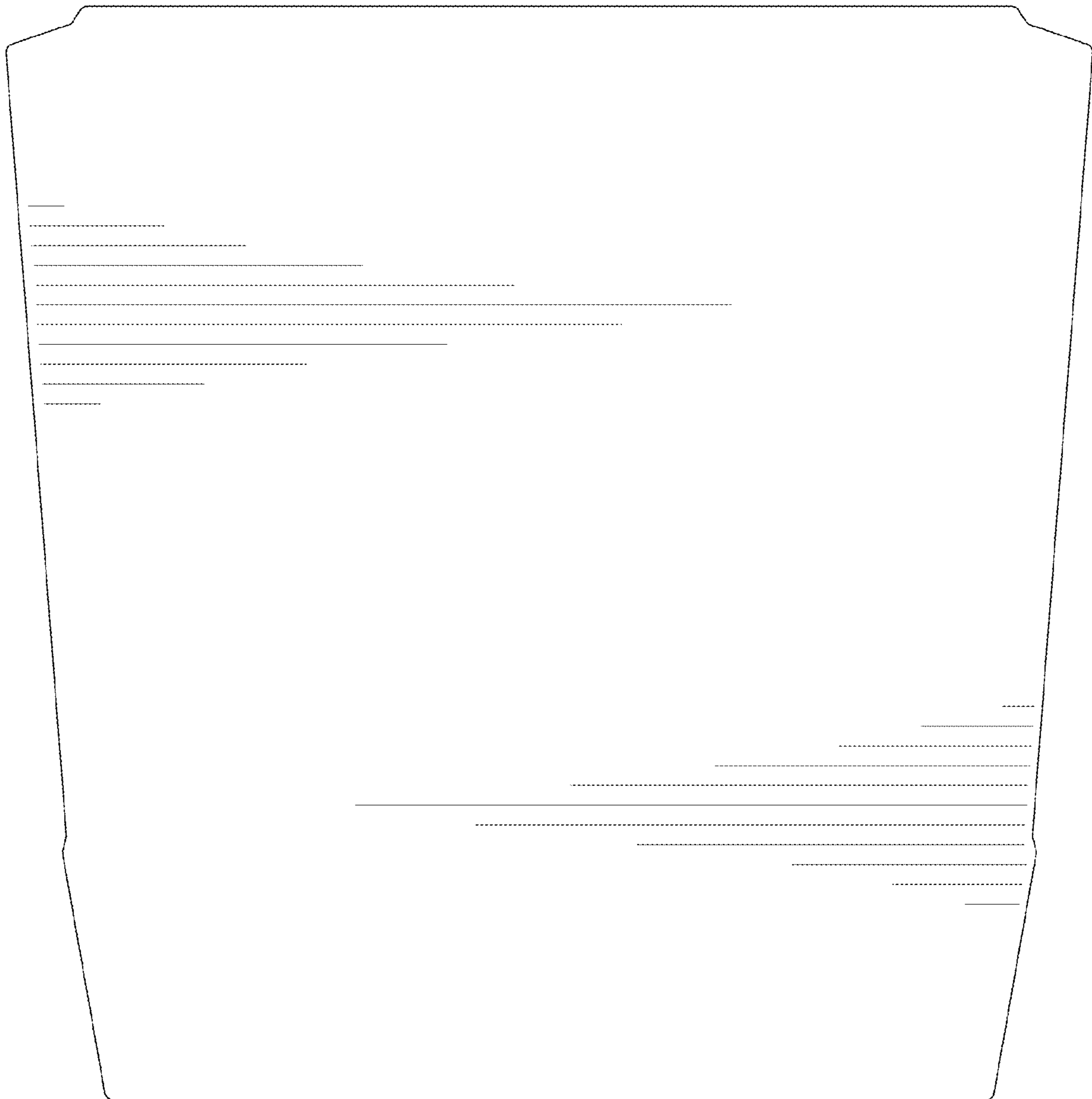


FIG. 4

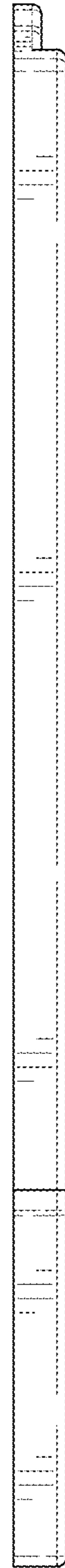


FIG. 5

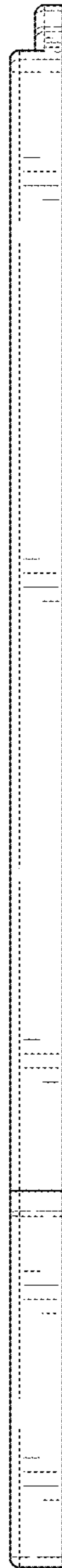


FIG. 6

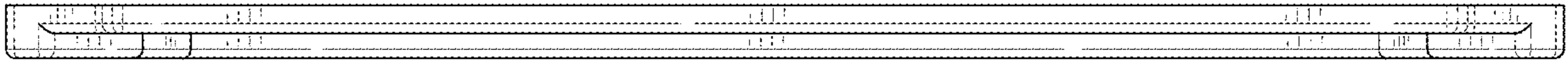


FIG. 7



FIG. 8

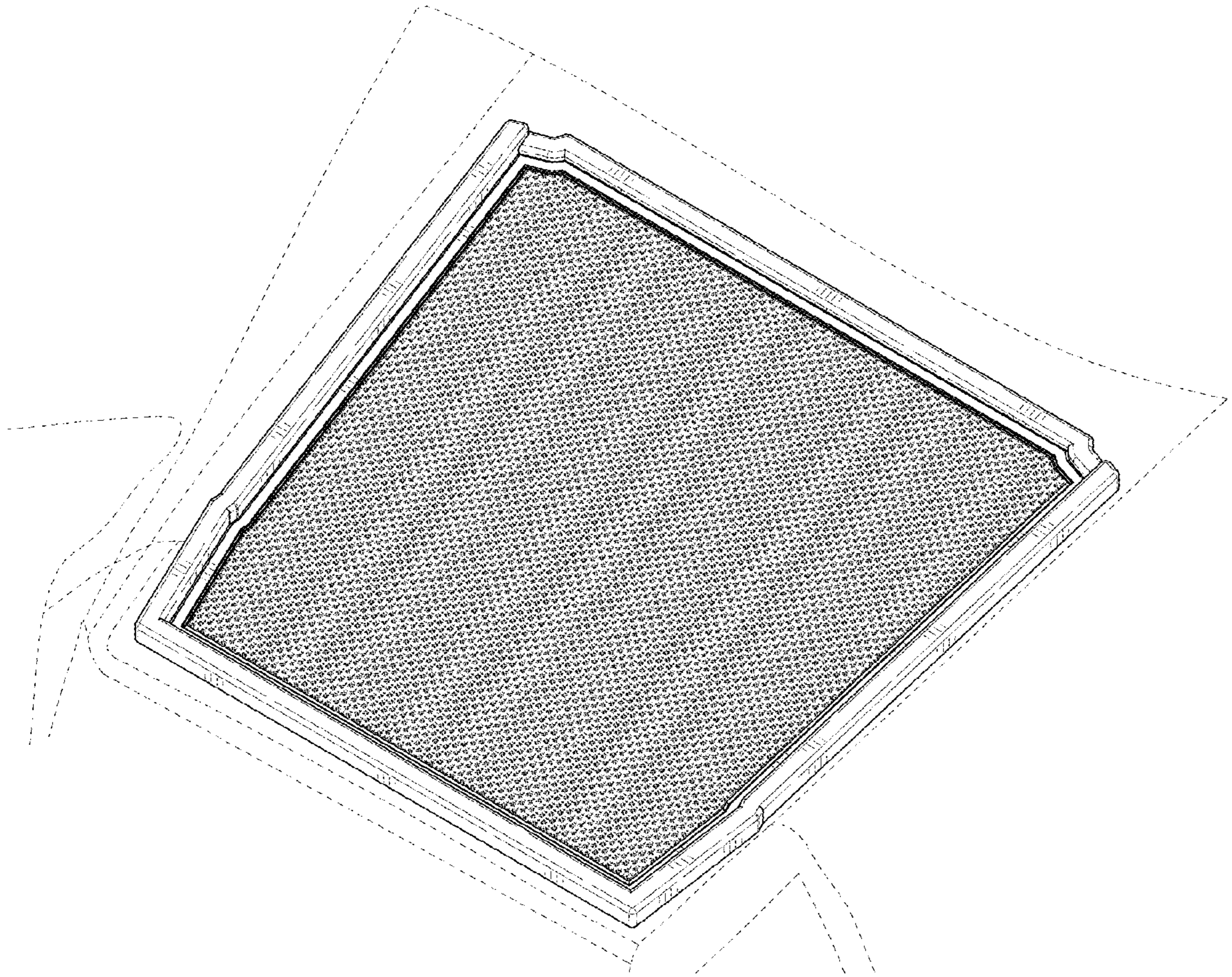


FIG. 9

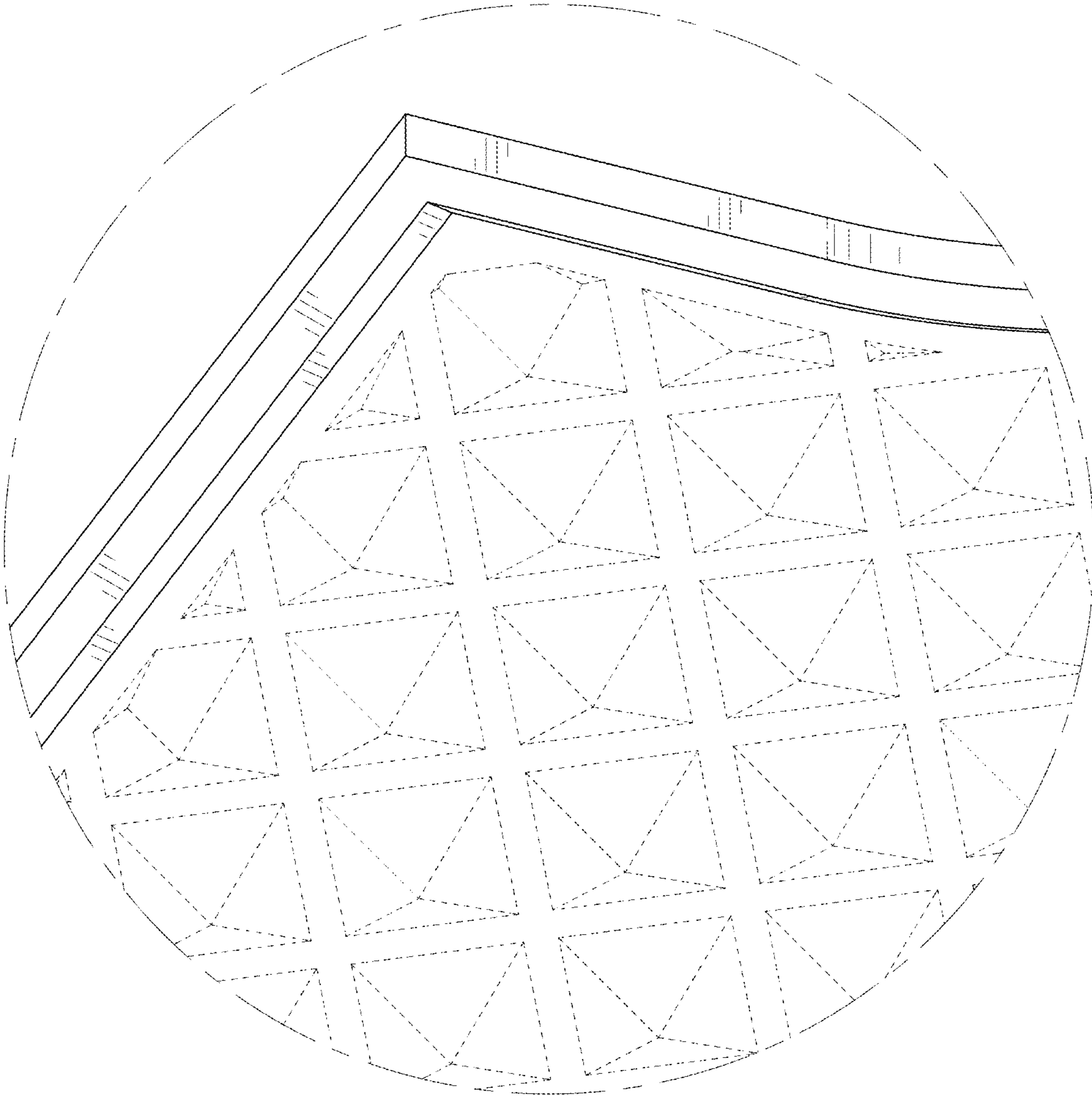


FIG. 10