



US00D970406S

(12) **United States Design Patent**  
**Yang**

(10) **Patent No.:** **US D970,406 S**

(45) **Date of Patent:** **\*\* Nov. 22, 2022**

(54) **POLARIZED SUN VISOR**

(71) Applicant: **Guangzhou Jiaotu Information Technology Co., Ltd., Guangzhou (CN)**

(72) Inventor: **Taiping Yang, Guangzhou (CN)**

(\*\*) Term: **15 Years**

(21) Appl. No.: **29/791,843**

(22) Filed: **Feb. 11, 2022**

(51) **LOC (13) Cl.** ..... **12-16**

(52) **U.S. Cl.**  
USPC ..... **D12/191**

(58) **Field of Classification Search**  
USPC ..... D12/191, 181, 183–185, 106, 417,  
D12/311–312  
CPC ..... B60J 3/0208; B60J 3/02  
See application file for complete search history.

(56) **References Cited**

**U.S. PATENT DOCUMENTS**

|            |           |               |         |
|------------|-----------|---------------|---------|
| D525,574 S | 7/2006    | Conway et al. |         |
| D691,079 S | * 10/2013 | Oswald        | D12/191 |
| D740,189 S | * 10/2015 | Lopez-Ross    | D12/191 |
| D740,190 S | * 10/2015 | Spencer       | D12/191 |
| D741,763 S | * 10/2015 | Levi          | D12/191 |
| D762,539 S | * 8/2016  | Marcus        | D12/191 |
| D797,629 S | * 9/2017  | Abruzzio      | D12/191 |

|            |           |              |         |
|------------|-----------|--------------|---------|
| D808,318 S | * 1/2018  | Amante-Muniz | D12/191 |
| D817,240 S | * 5/2018  | Cuche        | D12/191 |
| D833,350 S | * 11/2018 | Windel       | D12/191 |
| D892,010 S | * 8/2020  | Tan          | D12/191 |
| D918,807 S | * 5/2021  | Rose         | D12/191 |
| D936,545 S | * 11/2021 | Guo          | D12/191 |

\* cited by examiner

*Primary Examiner* — Katrina A Betton

(57) **CLAIM**

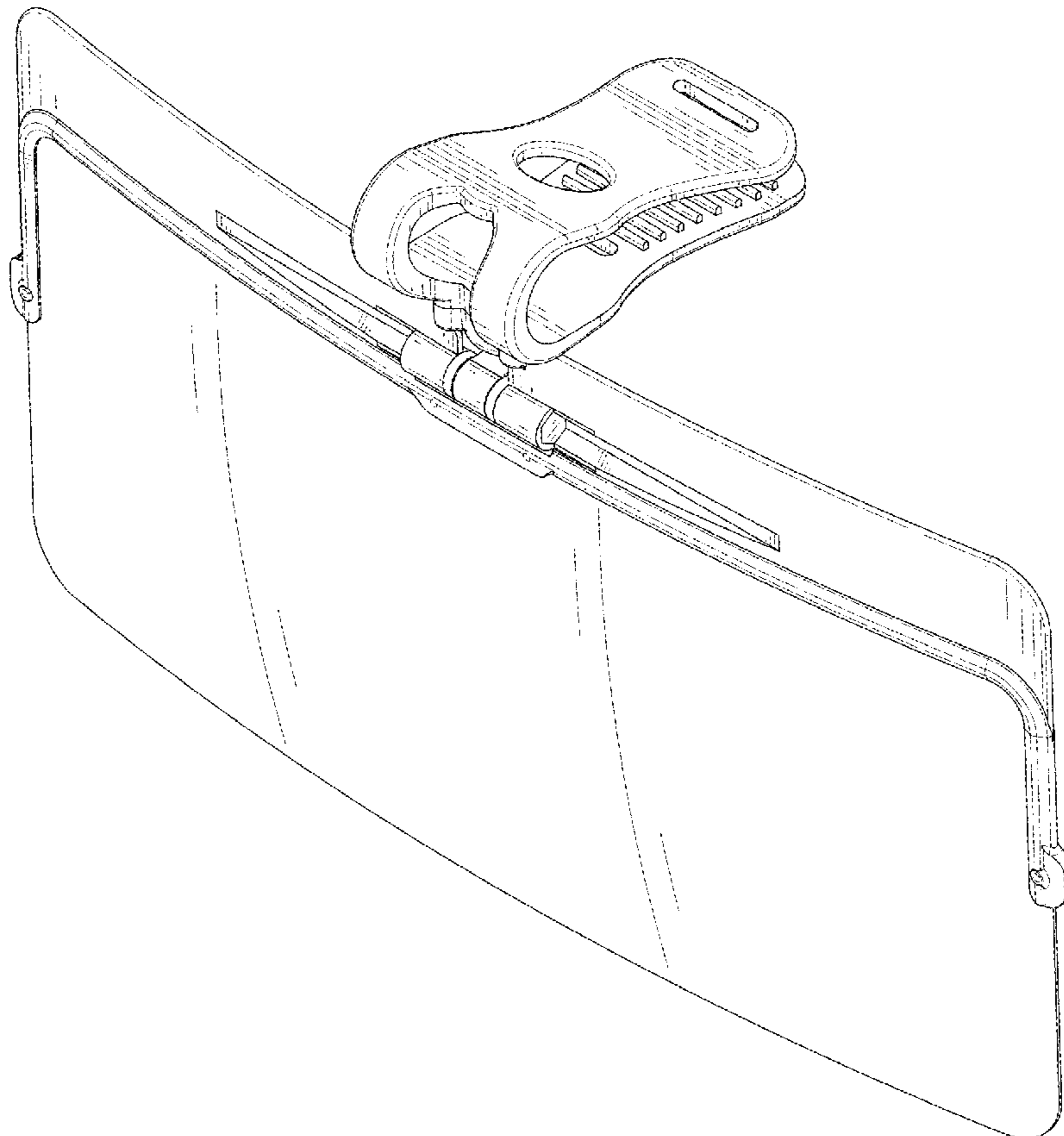
The ornamental design for a polarized sun visor, as shown and described.

**DESCRIPTION**

FIG. 1 is a front and top perspective view of a polarized sun visor, showing my new design;  
FIG. 2 is a rear and bottom perspective view thereof;  
FIG. 3 is a front elevation view thereof;  
FIG. 4 is a rear elevation view thereof;  
FIG. 5 is a left side elevation view thereof;  
FIG. 6 is a right side elevation view thereof;  
FIG. 7 is a top plan view thereof;  
FIG. 8 is a bottom plan view thereof; and,  
FIG. 9 is an enlarged view of a portion labeled, 'FIG. 9' in FIG. 2.

The broken lines in the figures illustrate portions of the polarized sun visor that form no part of the claimed design. The dash dot dash lines in FIGS. 2 and 9 are for the purpose of depicting the boundary lines of the enlarged view and form no part of the claimed design.

**1 Claim, 9 Drawing Sheets**



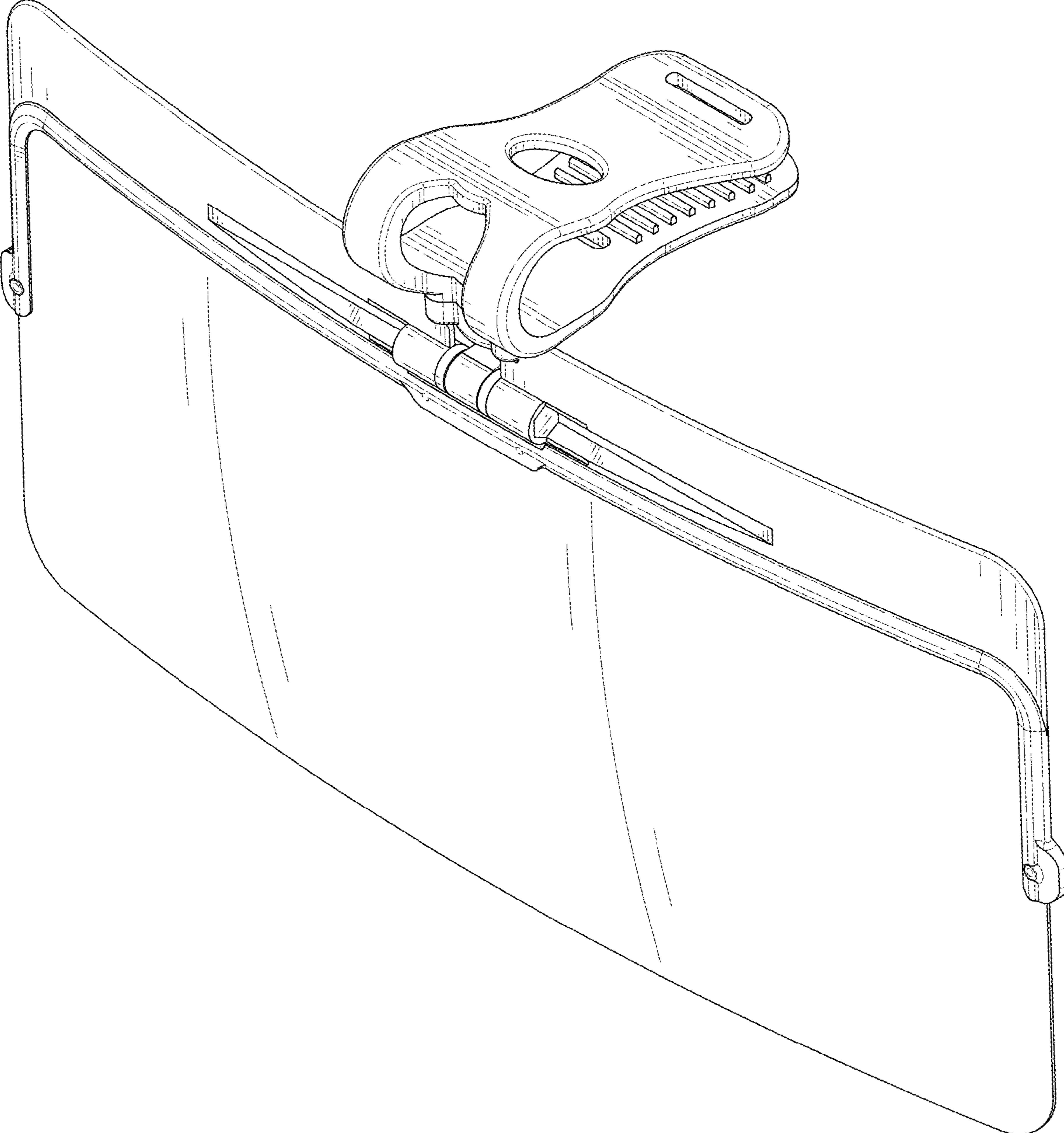


FIG. 1

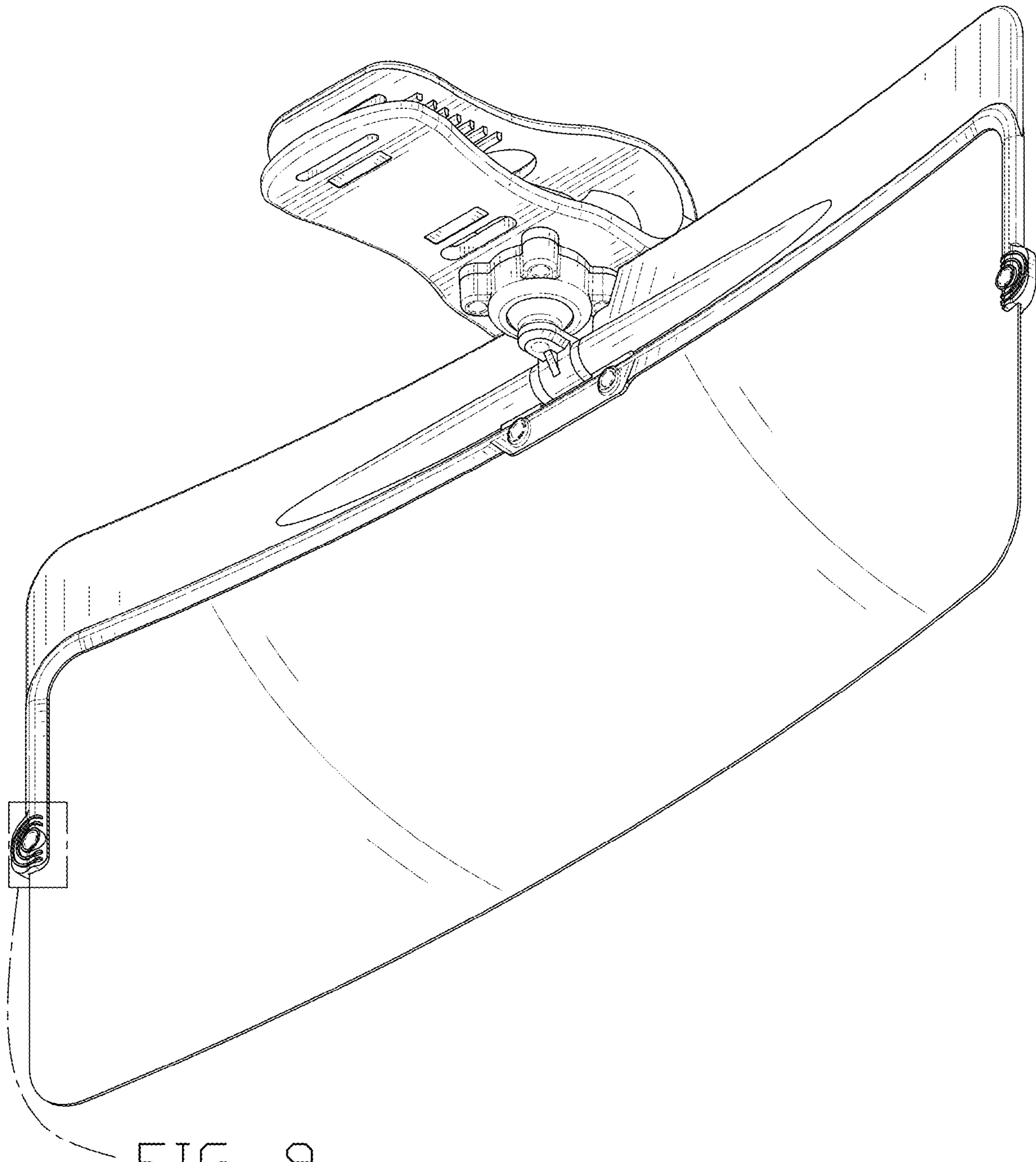


FIG. 9

FIG. 2

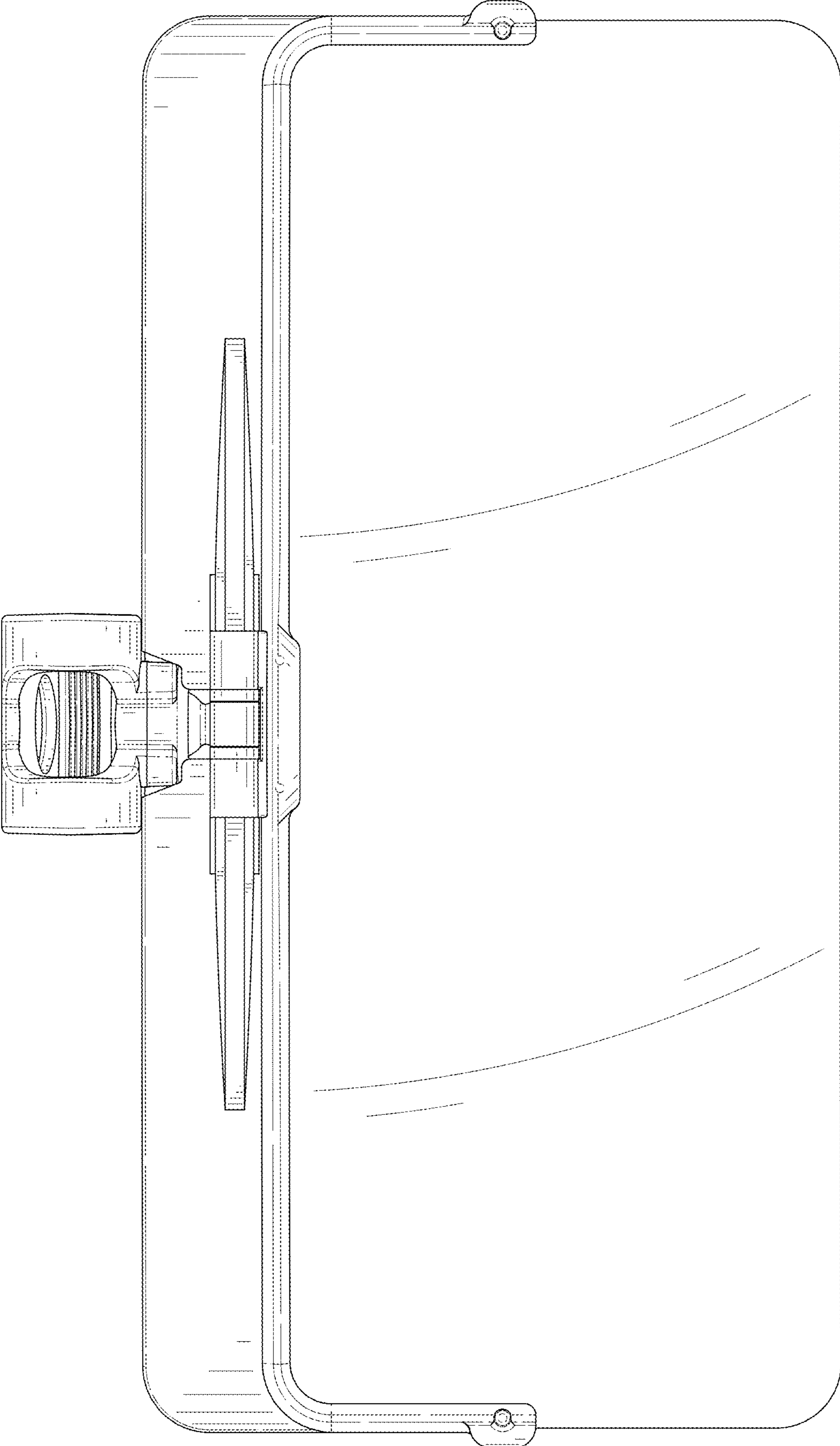


FIG. 3

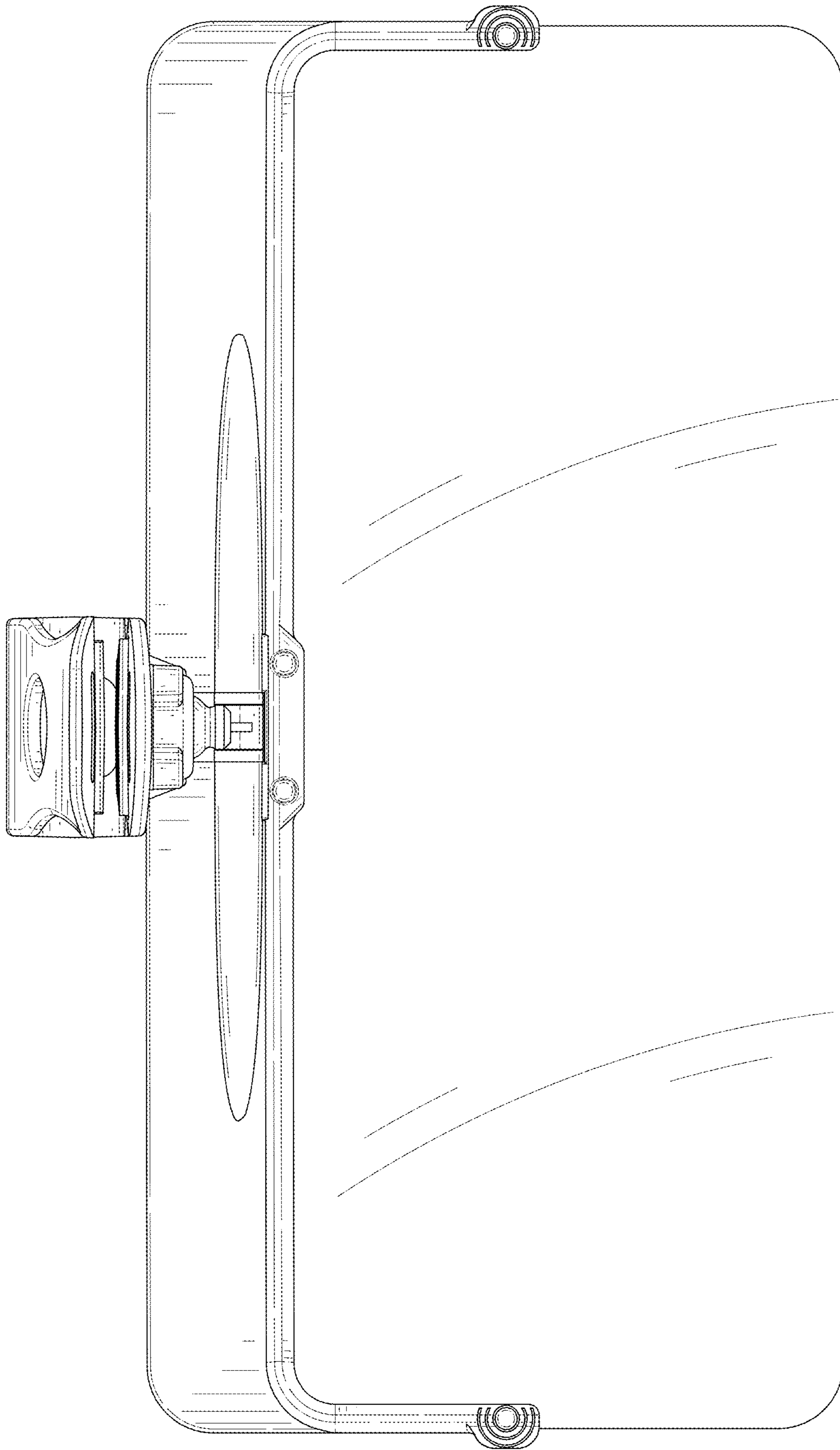


FIG. 4

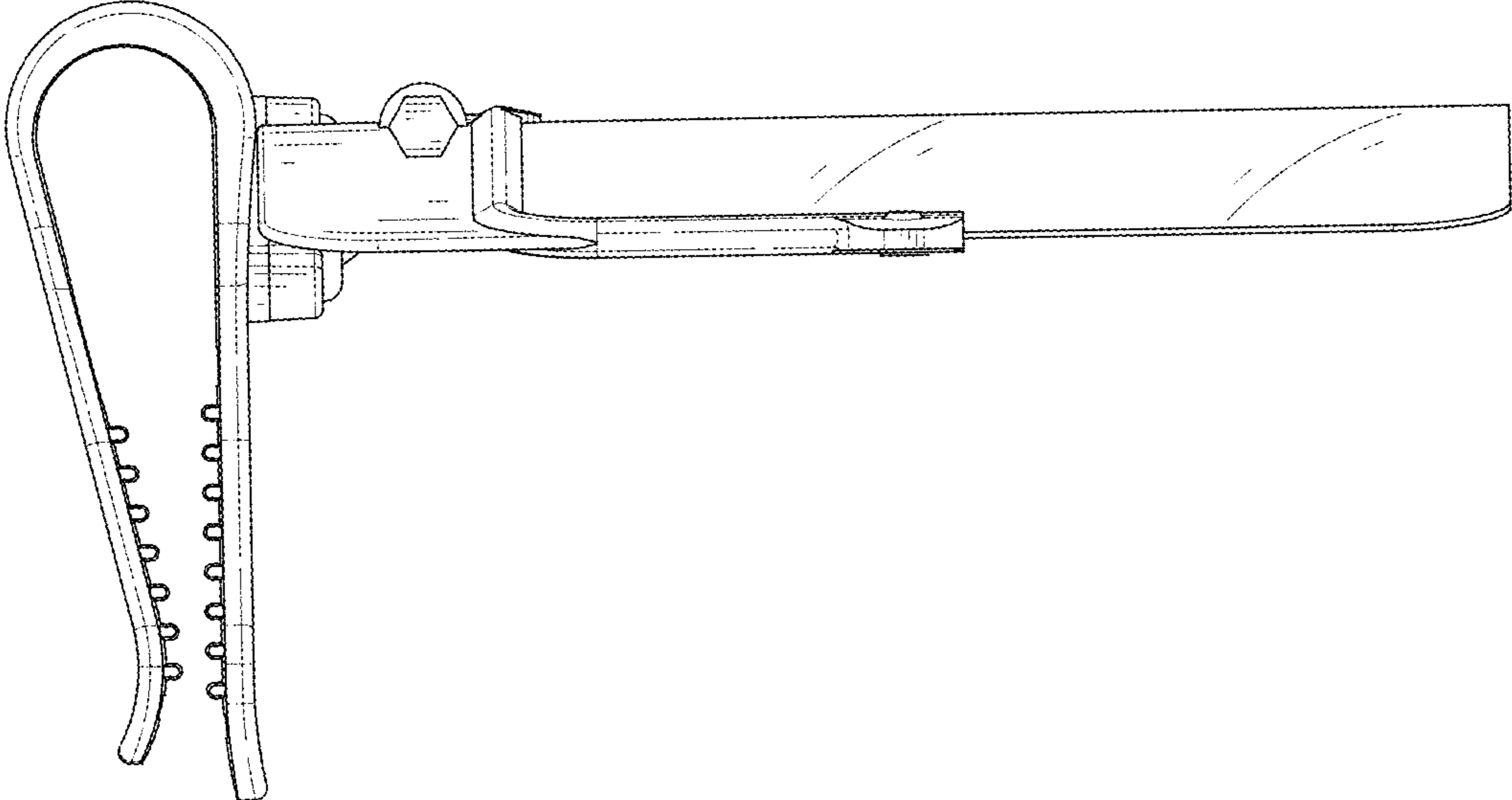


FIG. 5

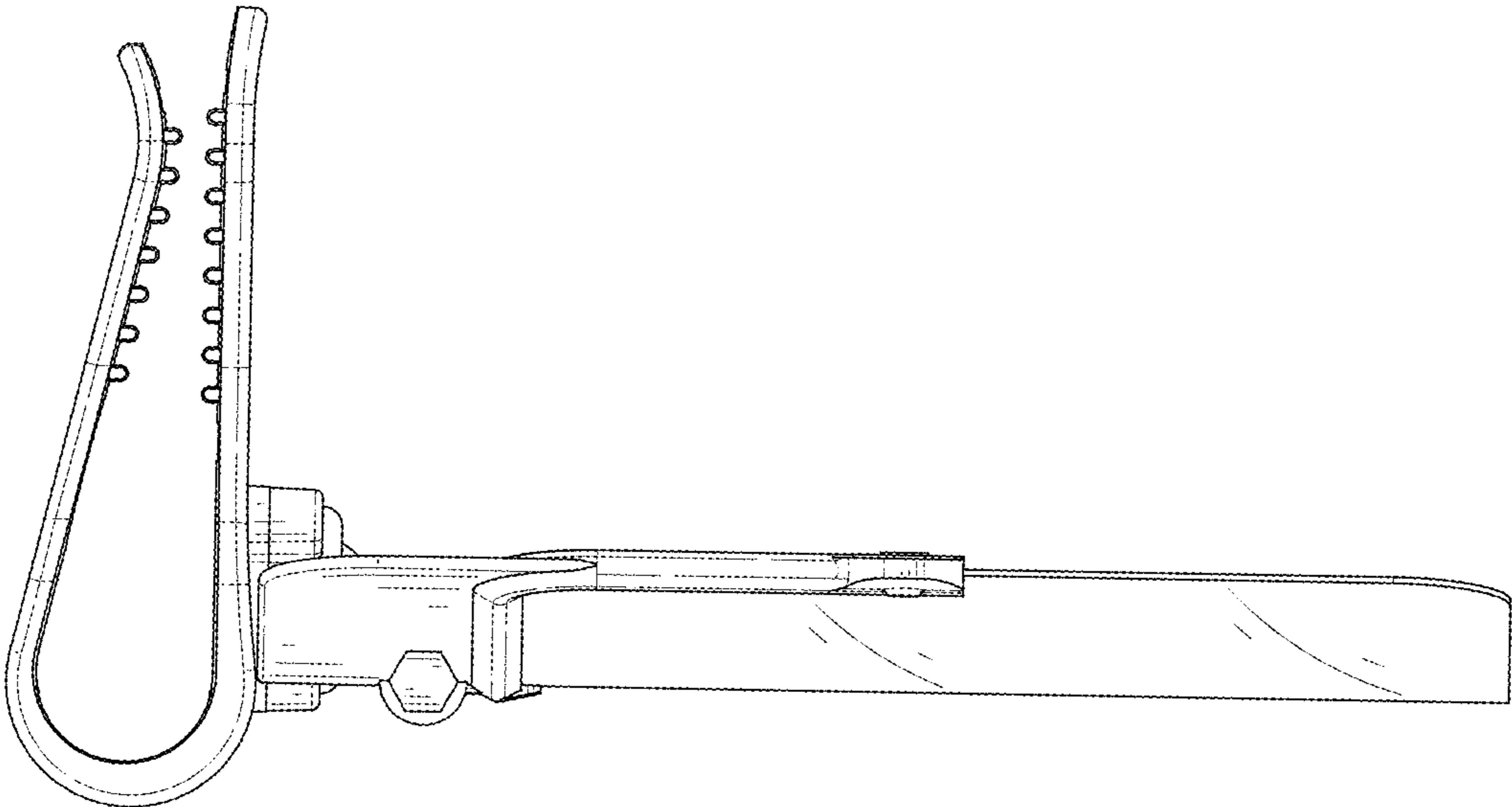


FIG. 6

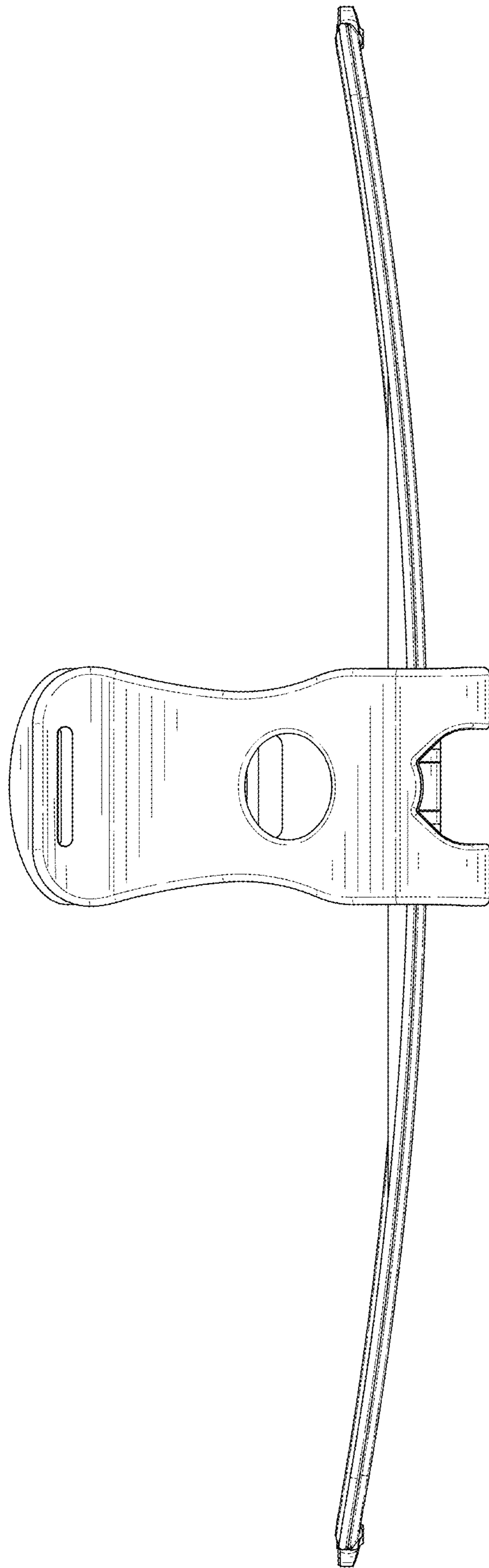


FIG. 7



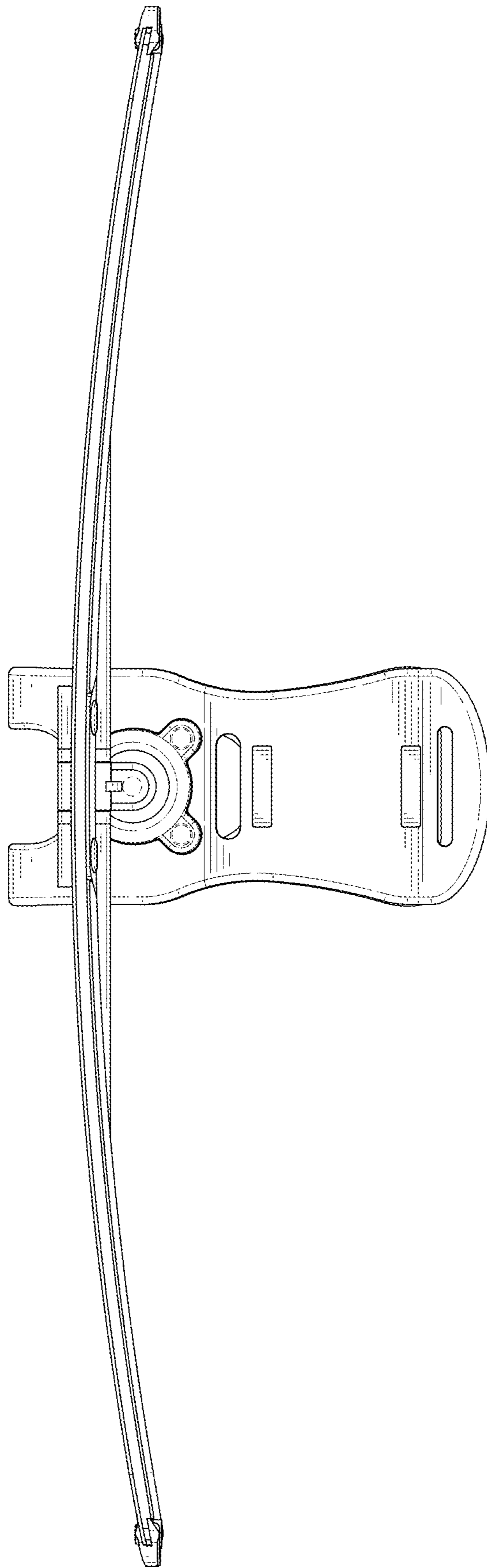


FIG. 8

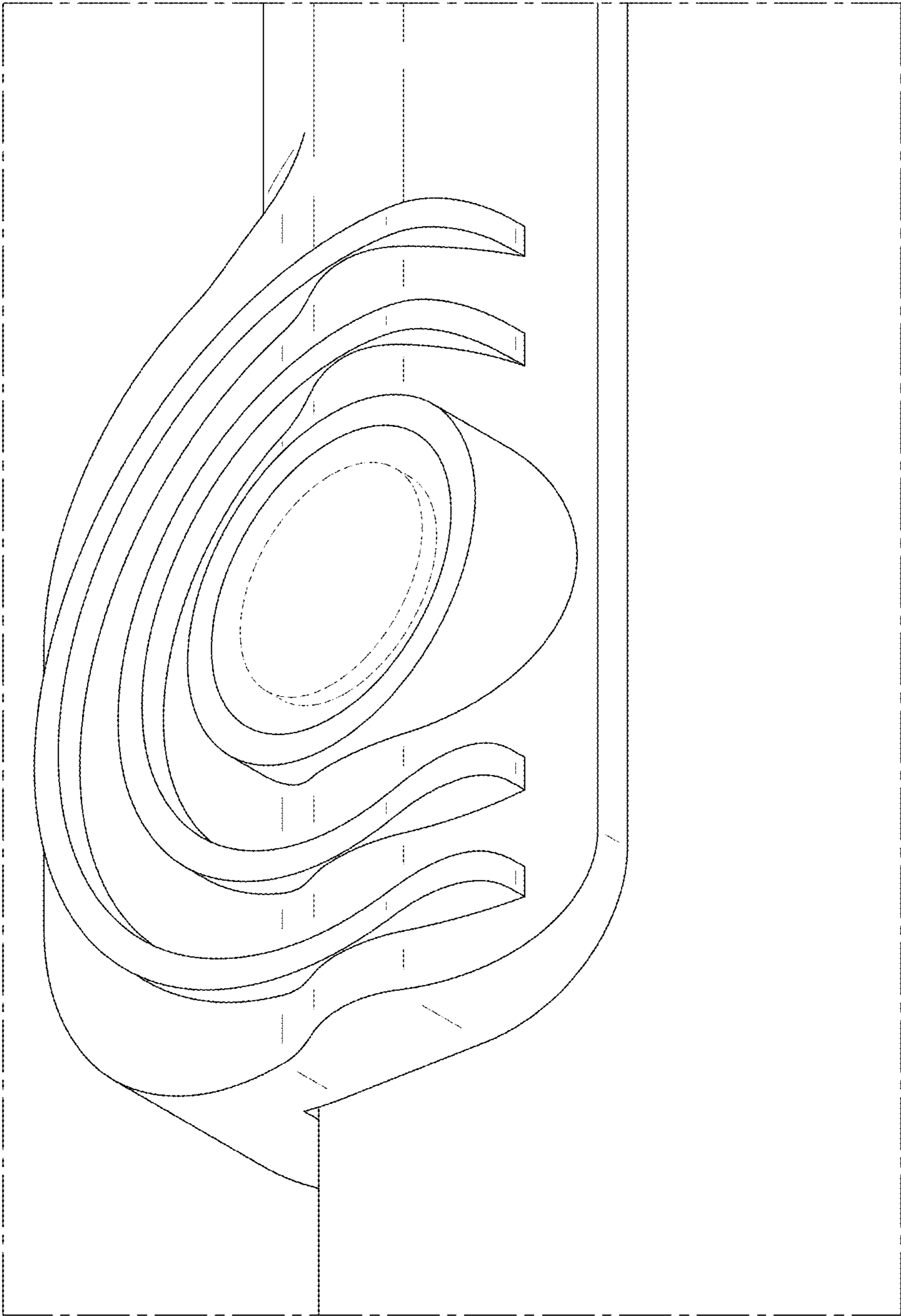


FIG. 9