



US00D970401S

(12) **United States Design Patent** (10) **Patent No.:** **US D970,401 S**  
**Gander et al.** (45) **Date of Patent:** **\*\* Nov. 22, 2022**

(54) **VEHICLE HOOD**

(71) Applicant: **Oshkosh Defense, LLC**, Oshkosh, WI (US)

(72) Inventors: **Jesse Gander**, Oshkosh, WI (US);  
**Devon Palmer**, Oshkosh, WI (US);  
**McCall Groen**, Oshkosh, WI (US)

(73) Assignee: **Oshkosh Defense, LLC**, Oshkosh, WI (US)

(\*\*) Term: **15 Years**

(21) Appl. No.: **29/802,921**

(22) Filed: **Aug. 9, 2021**

**Related U.S. Application Data**

(60) Continuation of application No. 29/754,504, filed on Oct. 12, 2020, now Pat. No. Des. 928,672, which is a continuation of application No. 29/700,665, filed on Aug. 5, 2019, now Pat. No. Des. 902,096, which is a continuation of application No. 29/672,849, filed on Dec. 10, 2018, now Pat. No. Des. 860,887, which is a division of application No. 29/602,277, filed on Apr. 28, 2017, now Pat. No. Des. 837,702.

(51) **LOC (13) Cl.** ..... **12-08**

(52) **U.S. Cl.**  
USPC ..... **D12/173**

(58) **Field of Classification Search**  
USPC .... D12/86, 91, 93, 163, 164, 165, 166, 167,  
D12/169, 171, 172, 173, 190, 216  
CPC ..... B60R 9/06; B60R 19/02; B60R 19/04;  
B60R 19/18; B60R 19/44; B60R 19/48;  
B62D 35/02; B62D 39/00; B62D 65/16;  
B62D 21/12; B29C 45/16  
See application file for complete search history.

(56) **References Cited**

**U.S. PATENT DOCUMENTS**

818,399 A 4/1906 Wright  
821,266 A 5/1906 Sturtevant et al.  
4,322,106 A 3/1982 Nespor  
6,520,494 B1 2/2003 Andersen et al.

(Continued)

**FOREIGN PATENT DOCUMENTS**

EP 1 633 619 B1 6/2004  
GB 2 400 588 A 1/2005

(Continued)

**OTHER PUBLICATIONS**

Vehicle Hood (Design—© Questel) orbit.com. [Online PDF compilation of references] 42 pgs. Print Dates Range Mar. 24, 2021-Jul. 22, 2020 [Retrieved Dec. 13, 2021].\*

(Continued)

*Primary Examiner* — George D. Kirschbaum

*Assistant Examiner* — Suzanne E Tisdell

(74) *Attorney, Agent, or Firm* — Foley & Lardner LLP

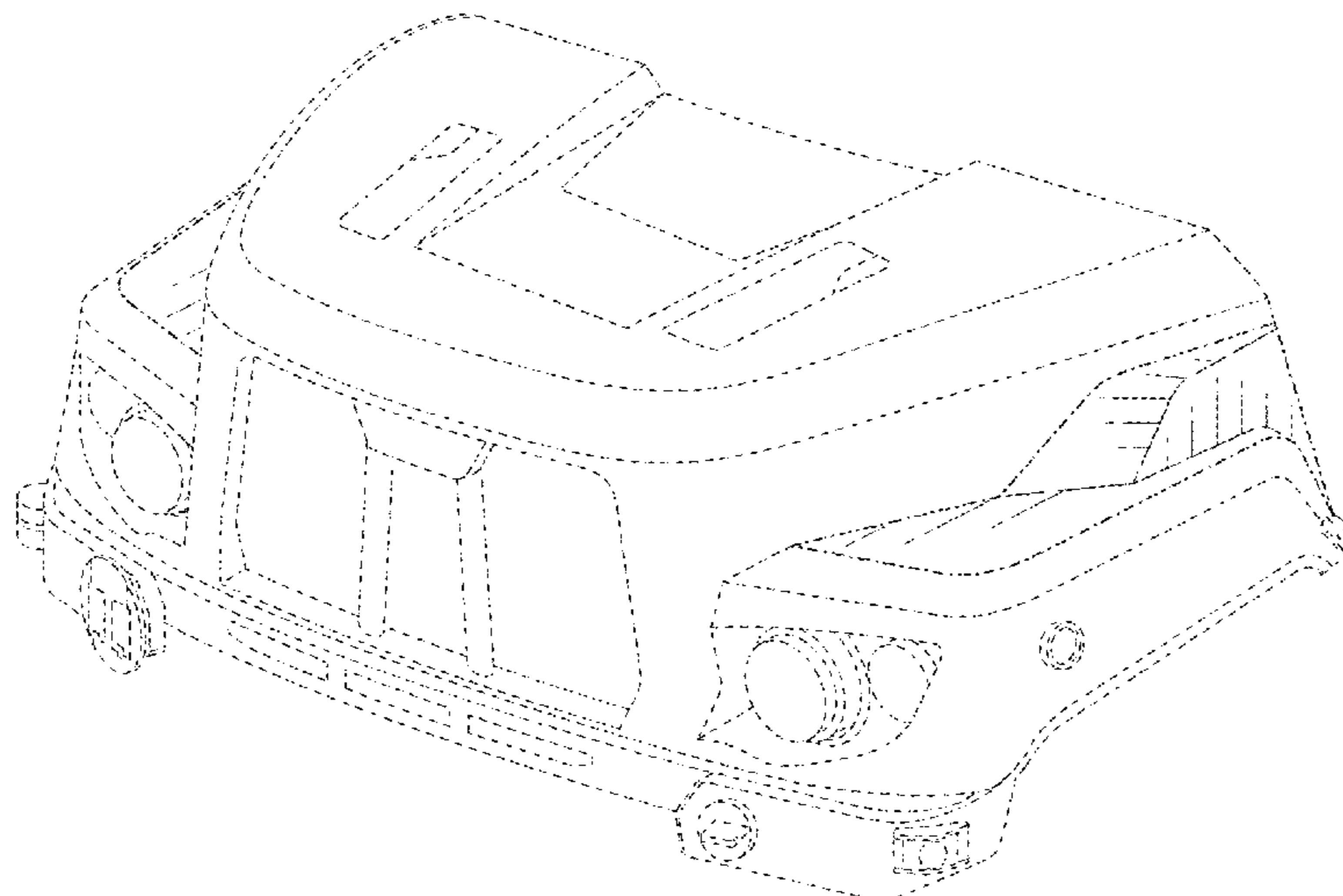
(57) **CLAIM**

We claim the ornamental design for a vehicle hood, as shown and described.

**DESCRIPTION**

FIG. 1 is a front perspective view of the claimed design; FIG. 2 is a front view of the claimed design; FIG. 3 is a rear view of the claimed design; FIG. 4 is a right side view of the claimed design; FIG. 5 is a left side view of the claimed design; FIG. 6 is a top view of the claimed design; and, FIG. 7 is a bottom view of the claimed design. Evenly-spaced broken lines depict unclaimed portions of the vehicle hood. Broken lines in a dash-dot pattern depict boundaries between claimed and unclaimed portion of the vehicle hood, the boundaries themselves forming no part of the claim.

**1 Claim, 3 Drawing Sheets**







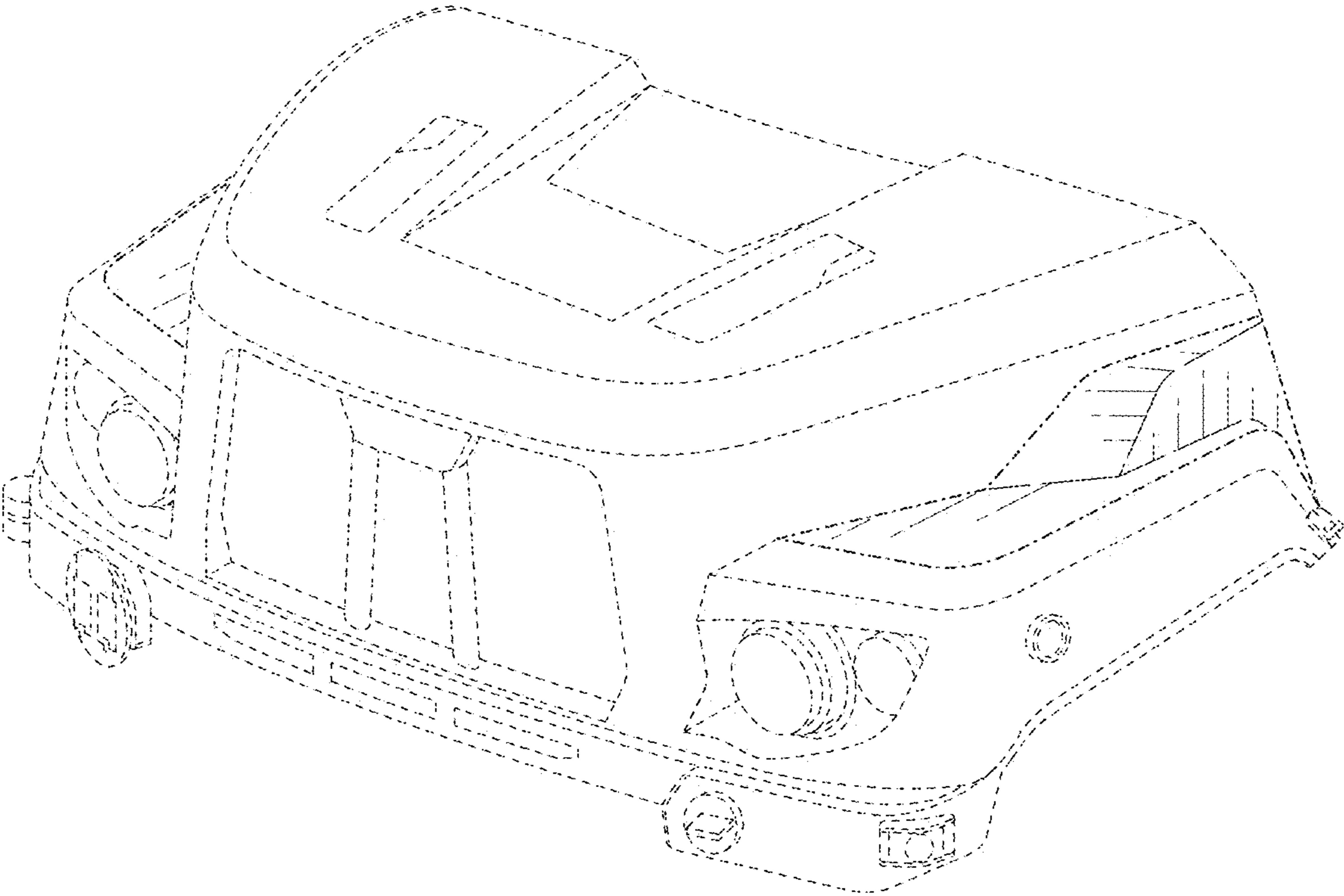


FIG. 1

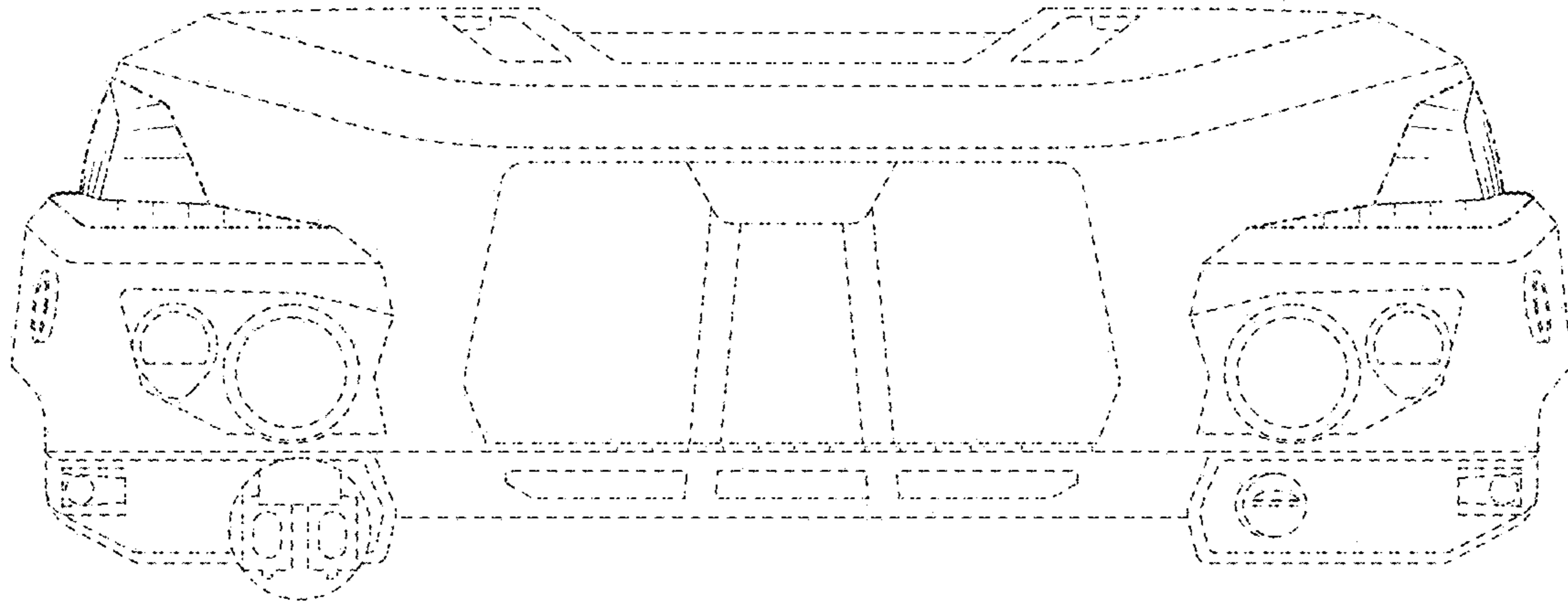


FIG. 2



FIG. 3

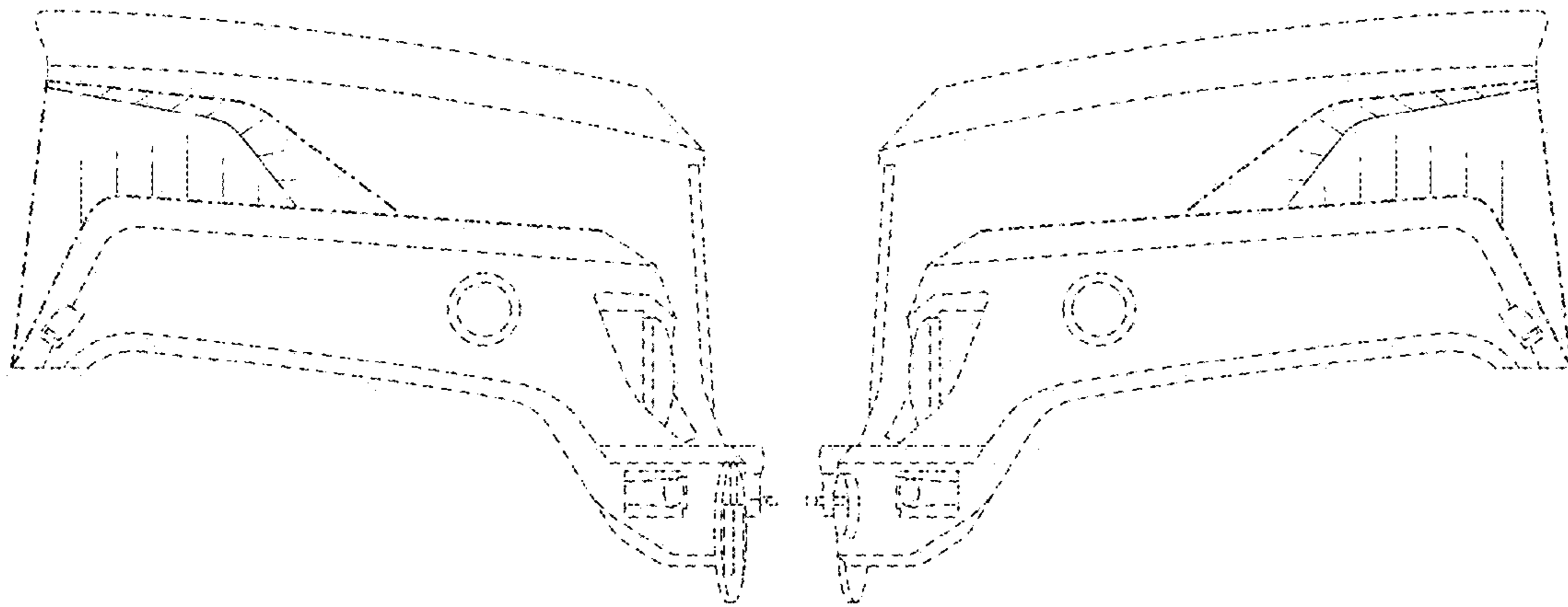


FIG. 4

FIG. 5

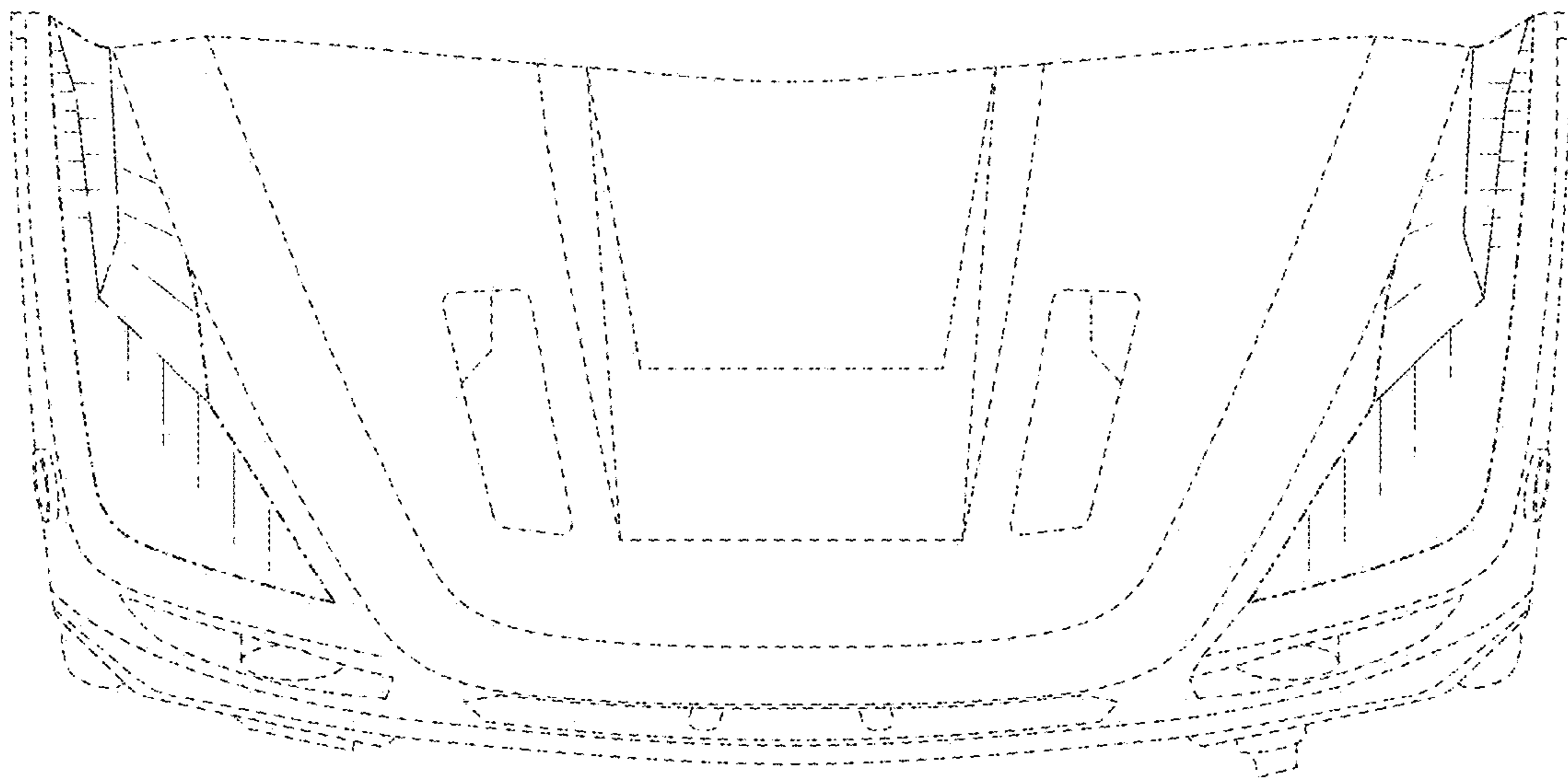


FIG. 6

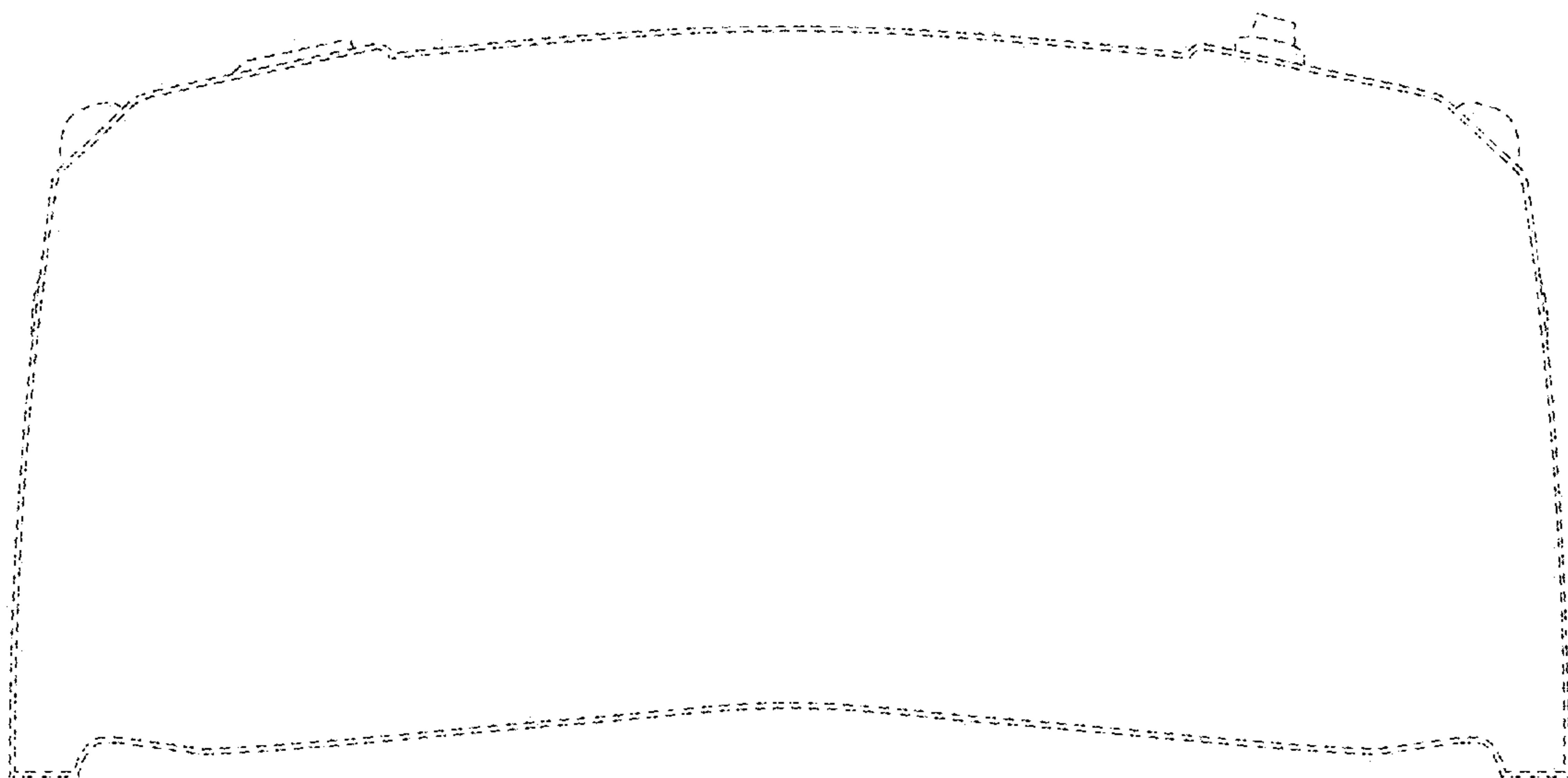


FIG. 7