



US00D970397S

(12) **United States Design Patent**  
**Lu**

(10) **Patent No.:** **US D970,397 S**  
(45) **Date of Patent:** **\*\* Nov. 22, 2022**

- (54) **FOUR-WHEEL WALKING AID**
- (71) Applicant: **Foshan HCT Medical Equipment Co., Ltd.**, Foshan (CN)
- (72) Inventor: **Yonghua Lu**, Shangrao (CN)
- (\*\*) Term: **15 Years**
- (21) Appl. No.: **29/759,995**
- (22) Filed: **Nov. 27, 2020**

(30) **Foreign Application Priority Data**

Oct. 22, 2020 (CN) ..... 202030631163.6

(51) **LOC (13) Cl.** ..... **12-12**

(52) **U.S. Cl.**  
USPC ..... **D12/130**

(58) **Field of Classification Search**  
USPC ..... D12/128, 129, 130, 131, 132, 133  
CPC ..... A61H 3/00; A61H 3/04; A61H 2003/001;  
A61H 2003/002; A61H 2003/003; A61H  
2003/004; A61H 2003/005; A61H  
2003/006; A61H 2003/007; A61H  
2003/043; A61H 2003/046

See application file for complete search history.

(56) **References Cited**

**U.S. PATENT DOCUMENTS**

- D837,697 S \* 1/2019 Luo ..... D12/130
- D902,791 S \* 11/2020 Fellingham ..... D12/130
- 11,071,676 B2 \* 7/2021 Fellingham ..... A61H 1/00

- 2015/0173994 A1\* 6/2015 Chen ..... A61H 3/00  
280/639
- 2015/0351994 A1\* 12/2015 Nicholson ..... A61H 3/04  
135/66
- 2020/0315901 A1\* 10/2020 Fellingham ..... A61H 3/04

**OTHER PUBLICATIONS**

Winlove, Published Sep. 18, 2020 [online], [retrieved on Dec. 4, 2021]. Retrieved from the Internet: <https://www.amazon.com/WINLOVE-Rollator-Steerable-Armrests-Aluminium/dp/B08SVN1R6R> (Year: 2020).\*

\* cited by examiner

*Primary Examiner* — Cary M Robinson  
*Assistant Examiner* — Adam C Mager

(57) **CLAIM**

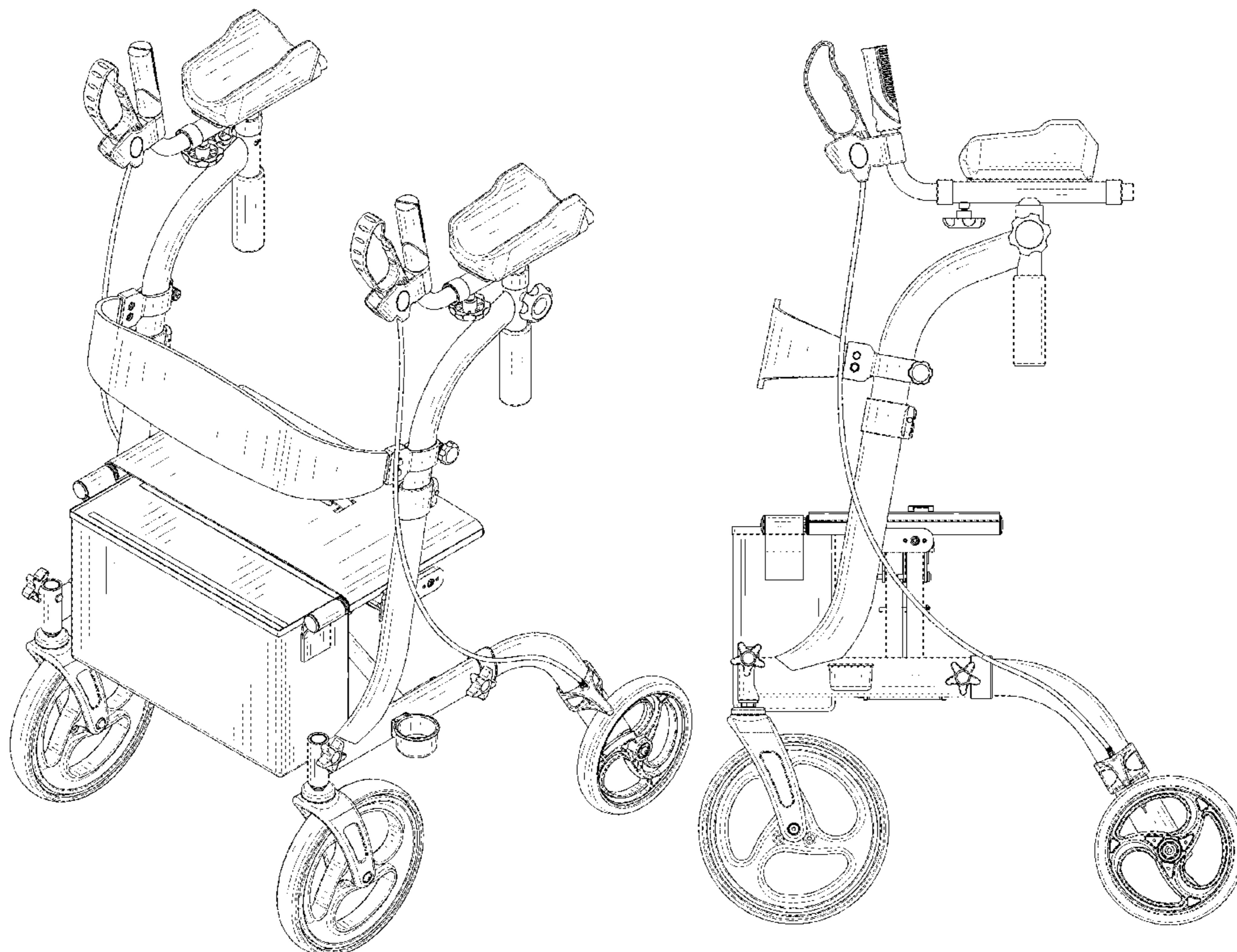
The ornamental design for a four-wheel walking aid, as shown and described.

**DESCRIPTION**

FIG. 1 is a first perspective view of a four-wheel walking aid showing my new design;  
FIG. 2 is a second perspective view thereof;  
FIG. 3 is a front view thereof;  
FIG. 4 is a back view thereof;  
FIG. 5 is a left side view thereof;  
FIG. 6 is a right side view thereof;  
FIG. 7 is a top view thereof; and,  
FIG. 8 is a bottom view thereof.

The broken lines showing is for the purpose of illustrating portions of the four-wheel walking aid that form no part of the claimed design.

**1 Claim, 8 Drawing Sheets**



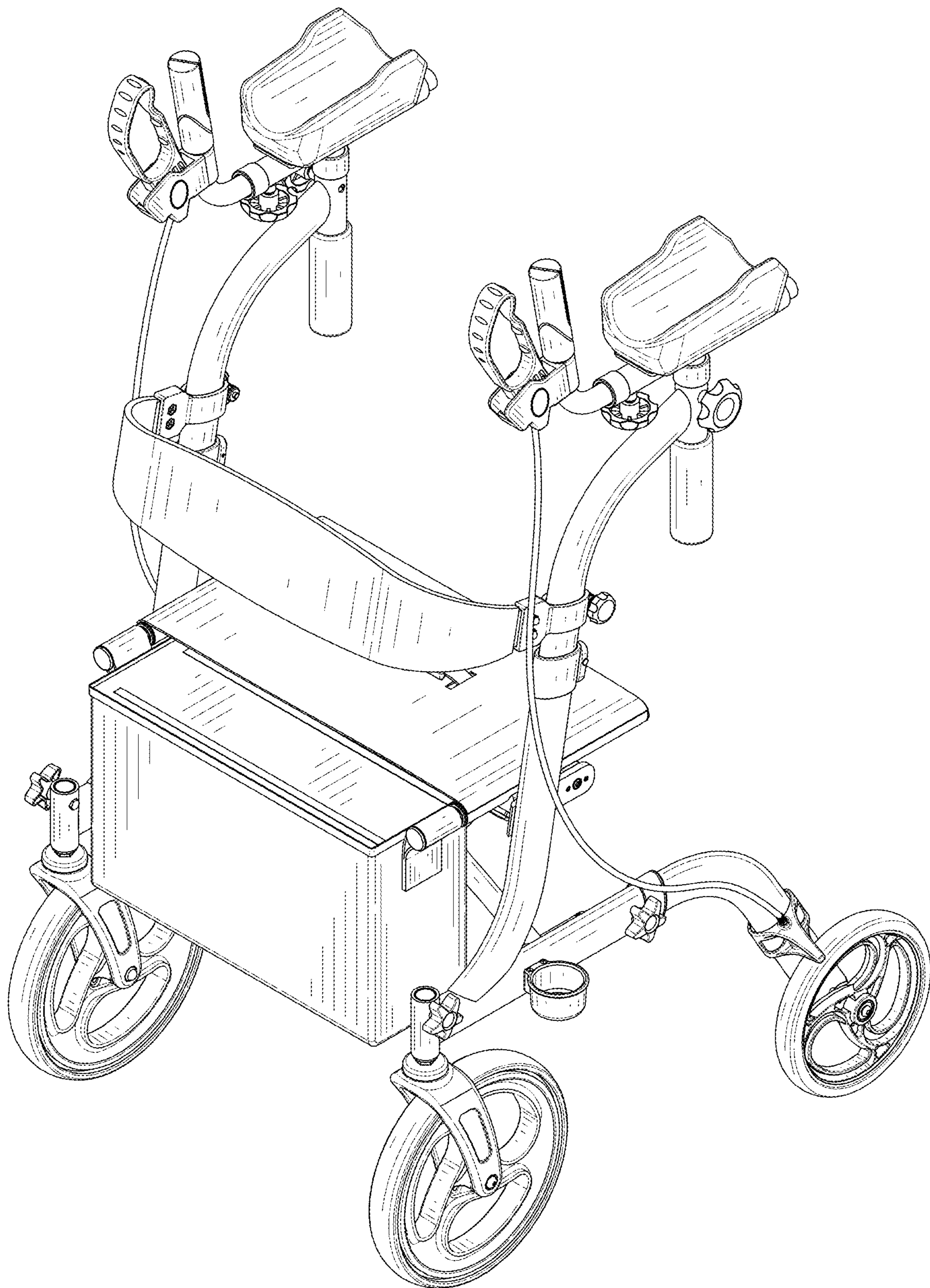


FIG. 1

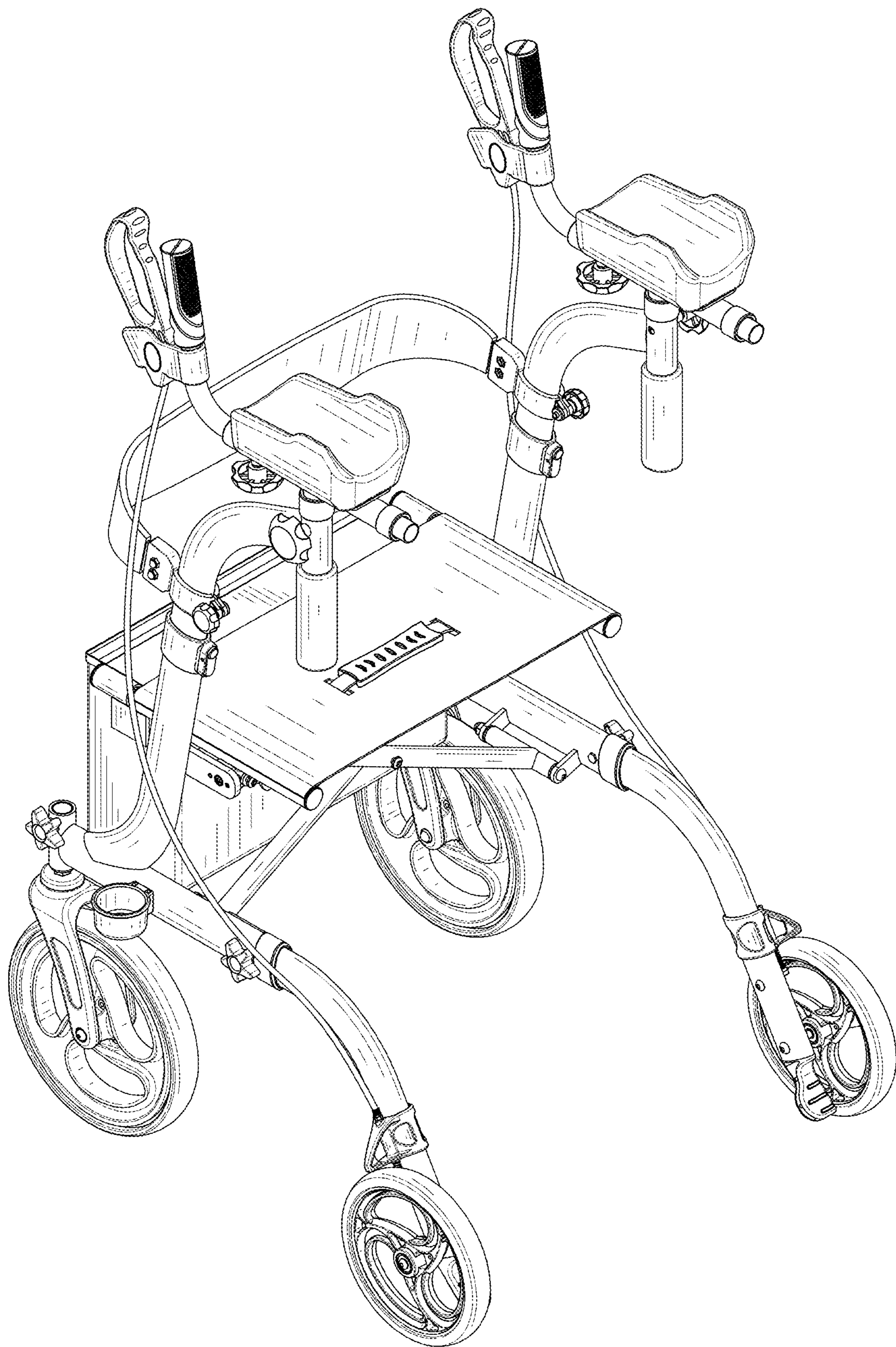


FIG. 2

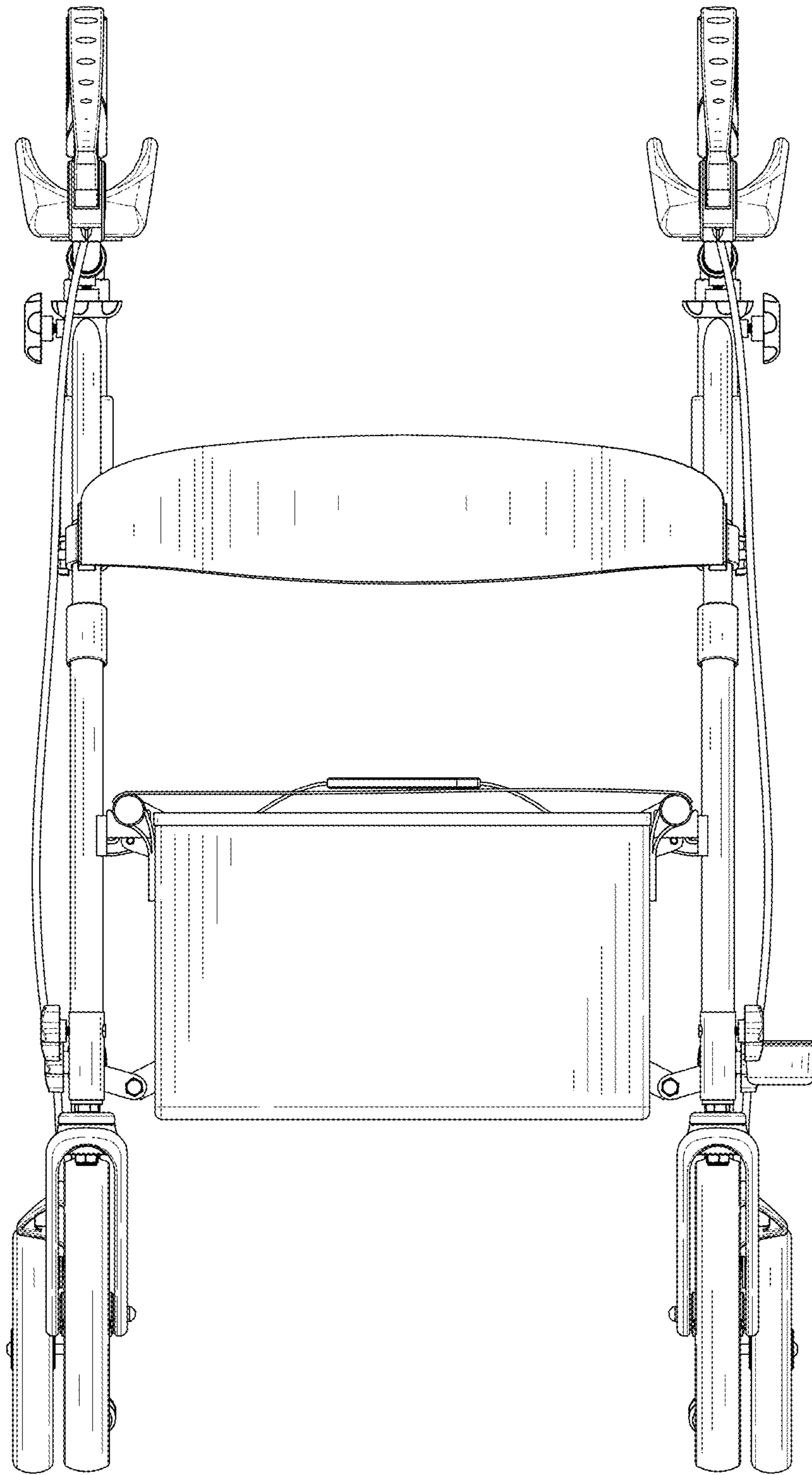


FIG. 3

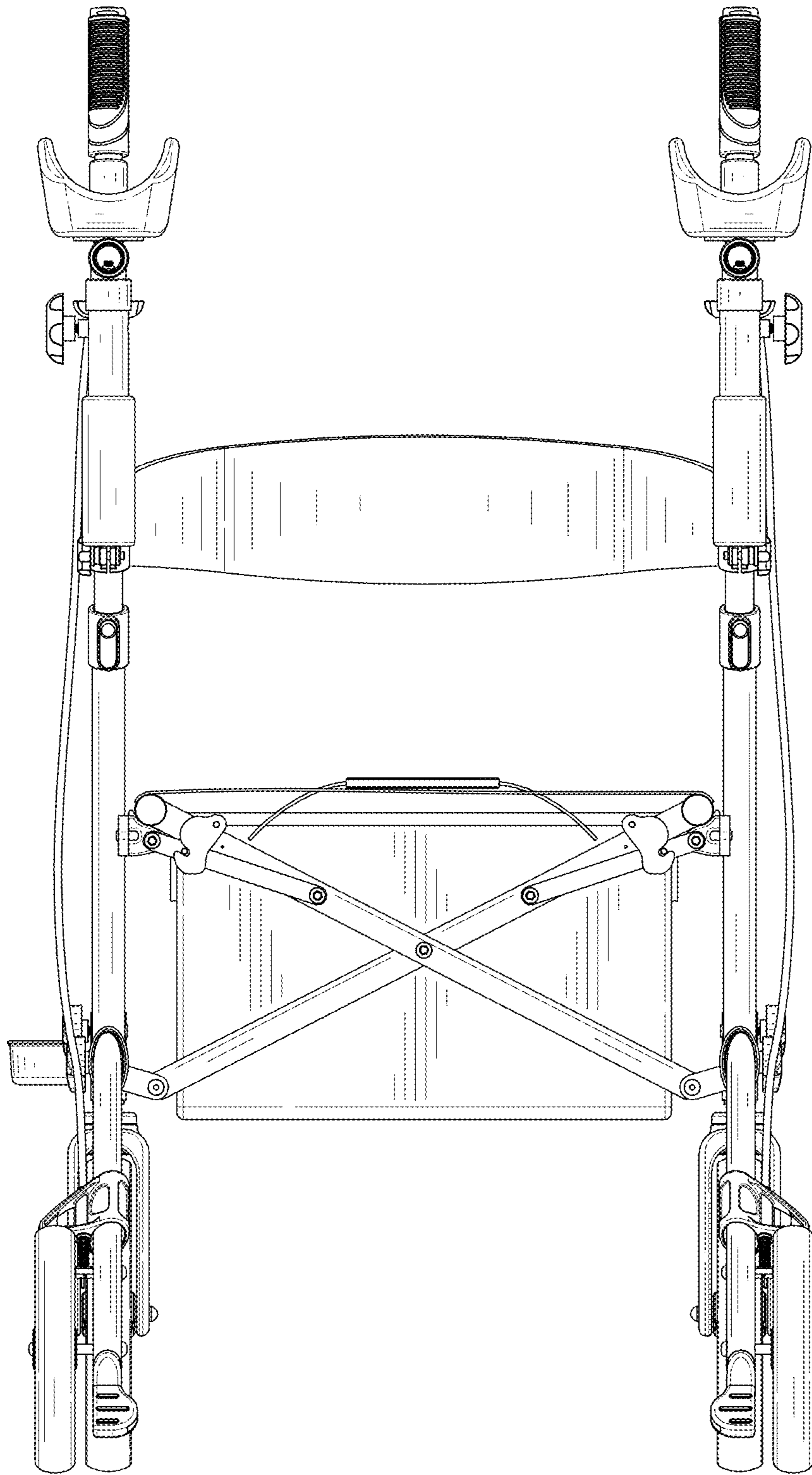


FIG. 4

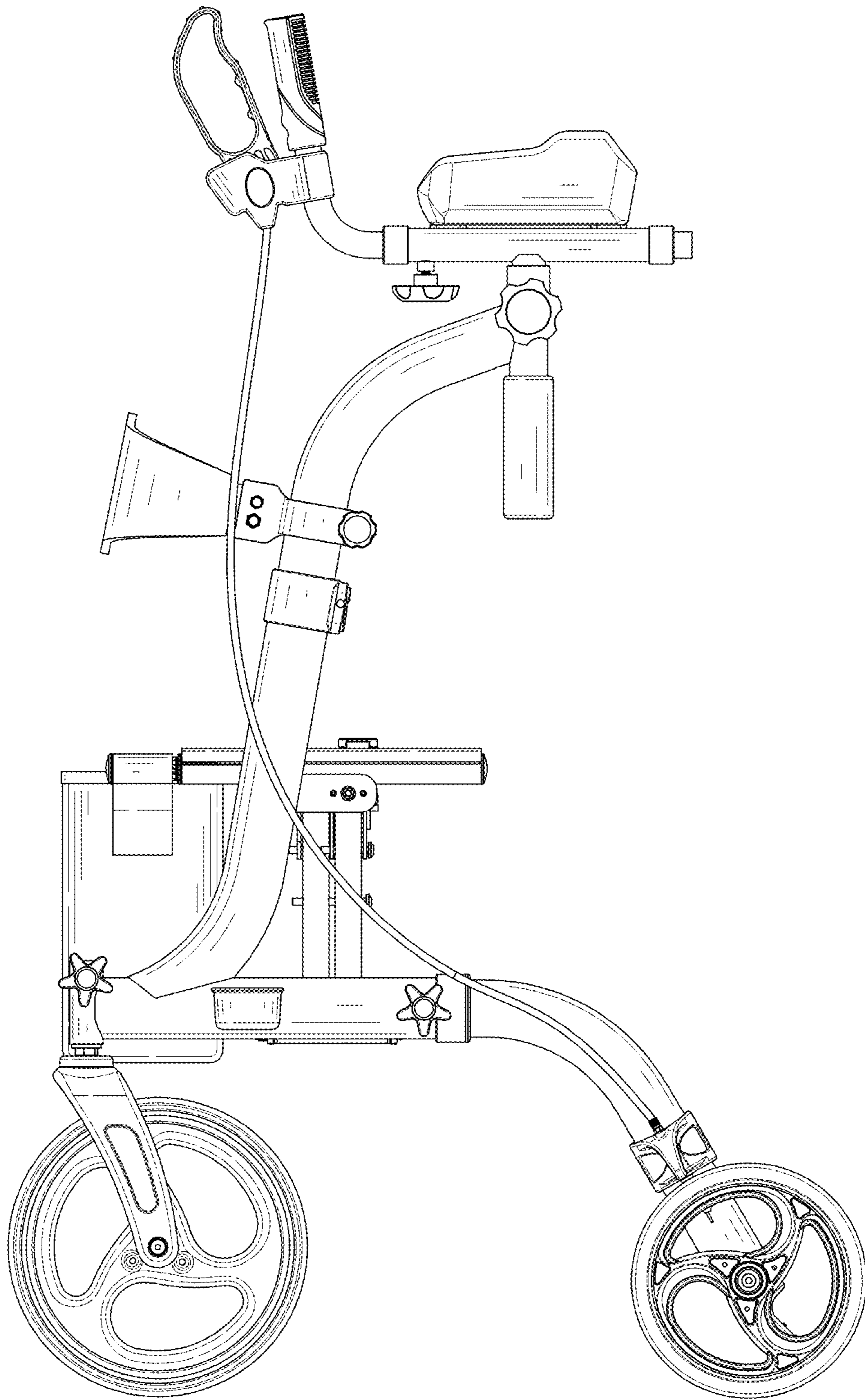


FIG. 5

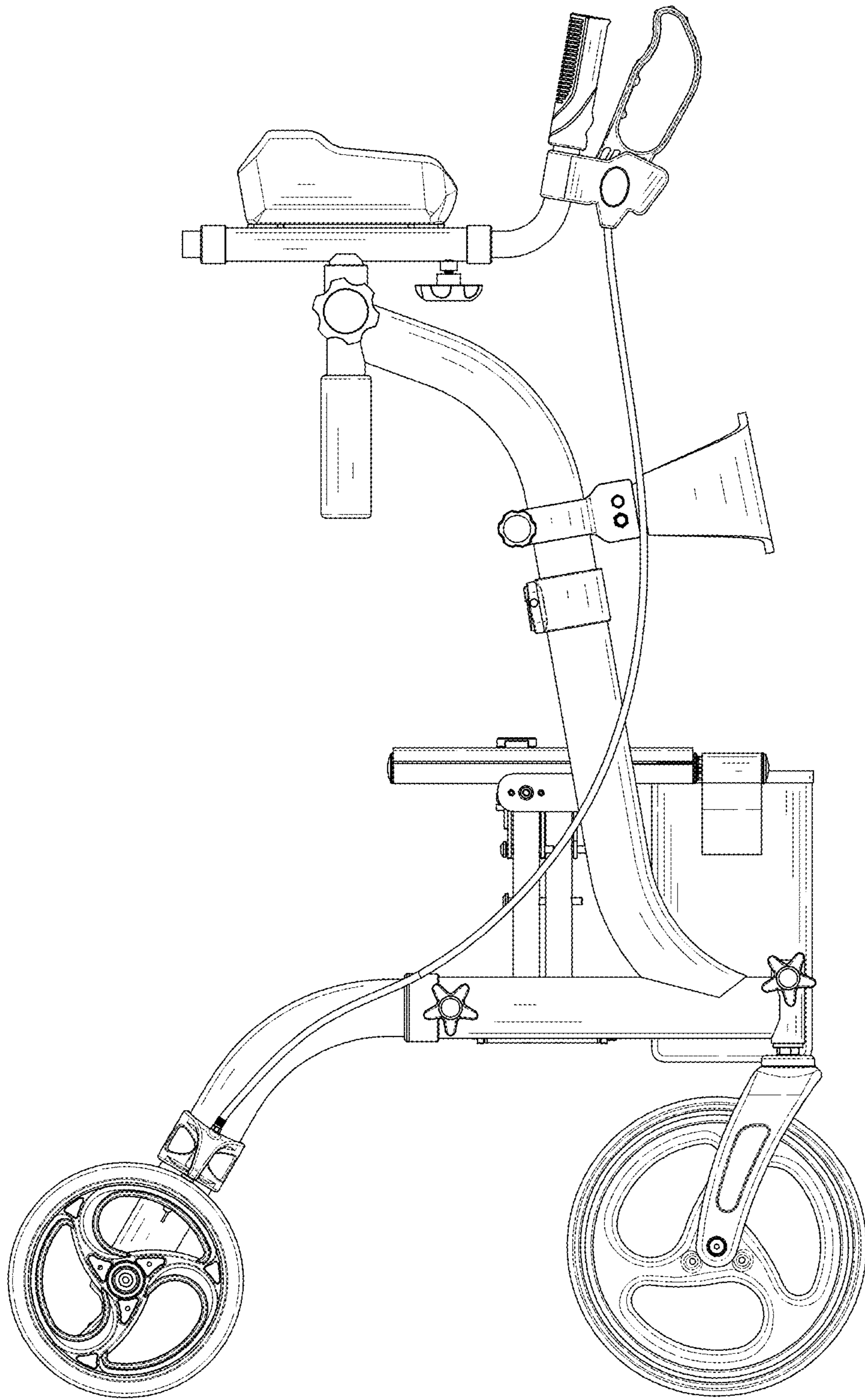


FIG. 6

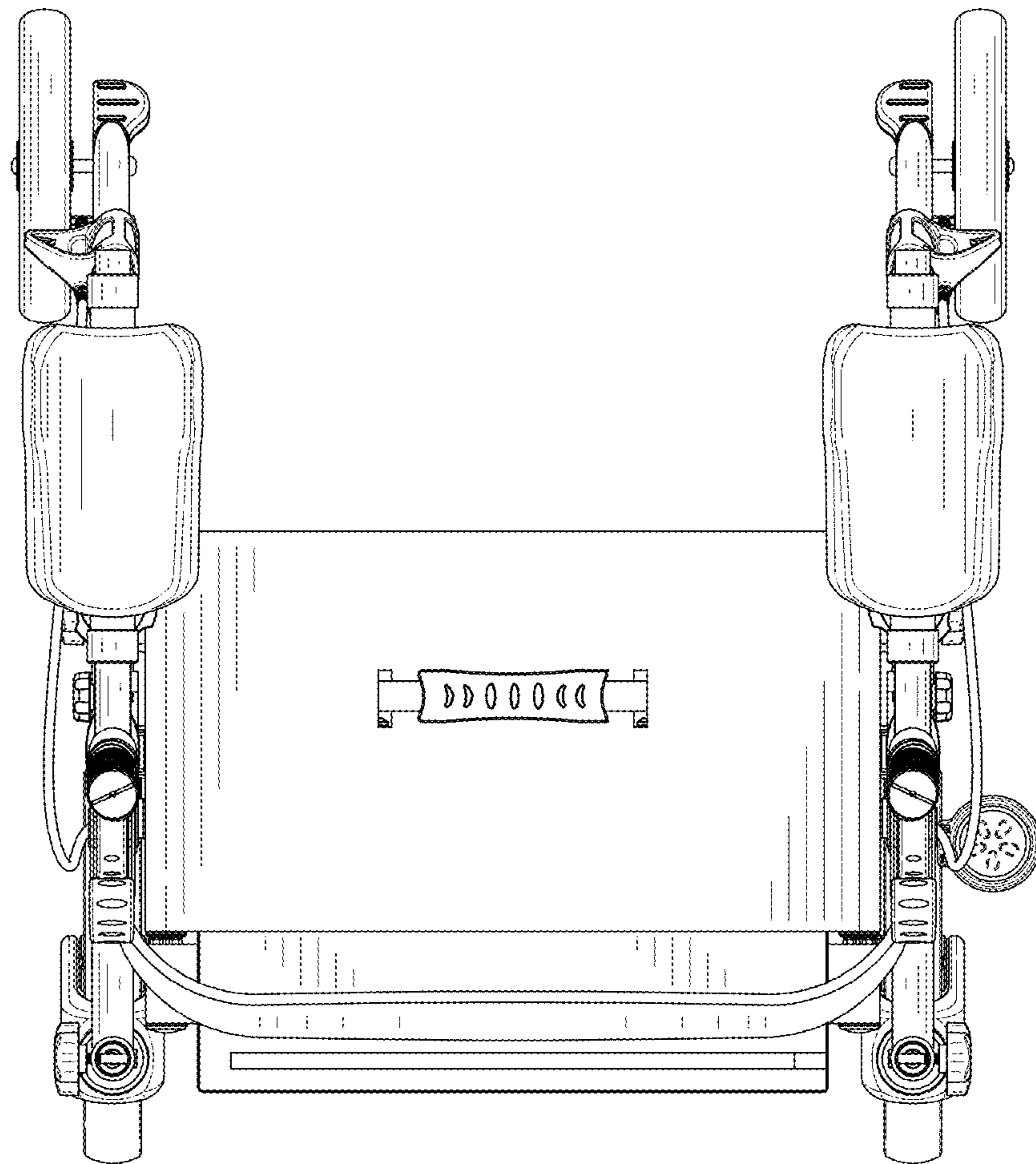


FIG. 7



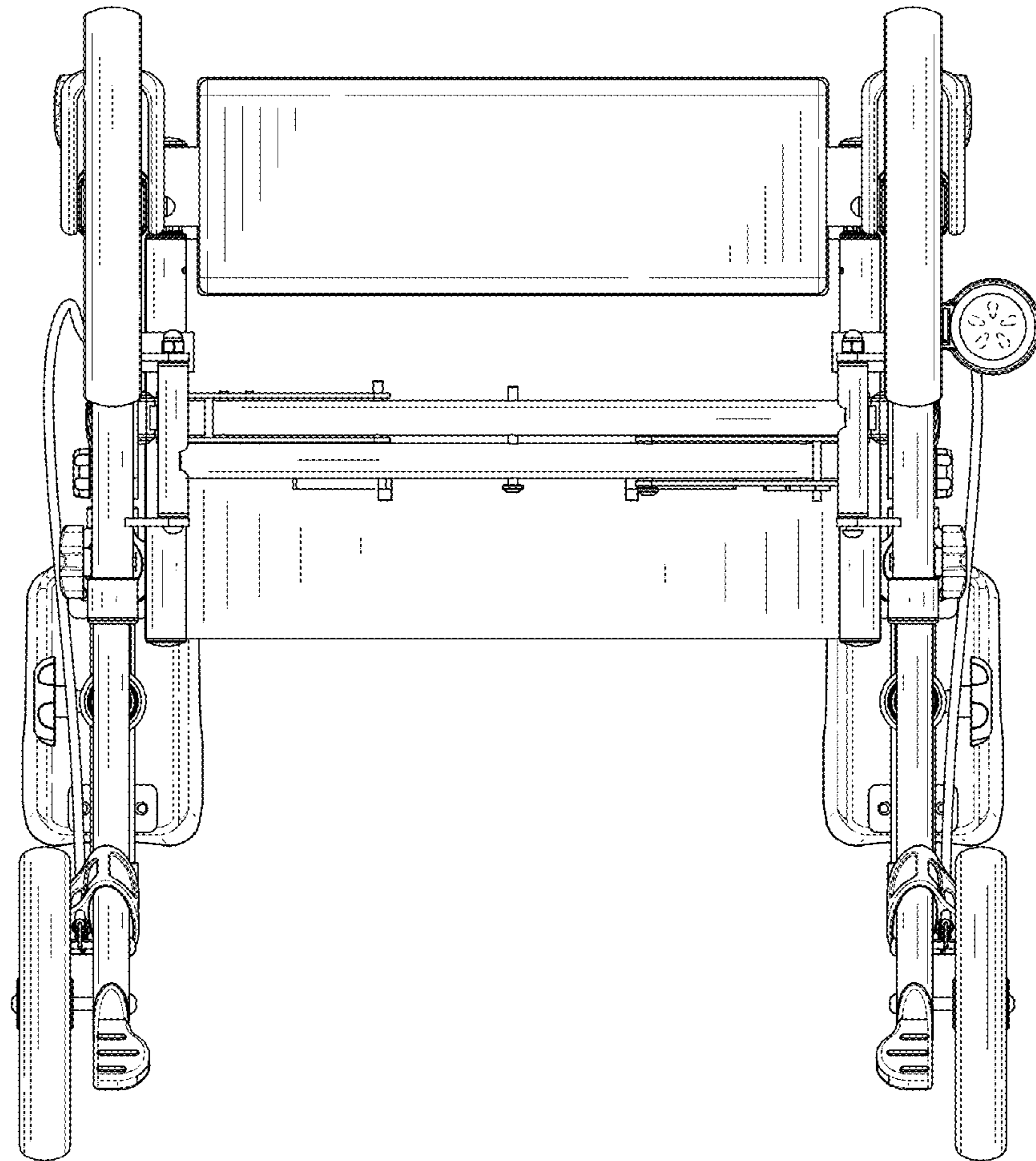


FIG. 8