

US00D970396S

(12) **United States Design Patent** (10) **Patent No.:** **US D970,396 S**
Liu (45) **Date of Patent:** **** Nov. 22, 2022**

(54) **CLIPLESS BICYCLE PEDAL**
(71) Applicant: **Ya-Hsin Liu**, Taichung (TW)
(72) Inventor: **Ya-Hsin Liu**, Taichung (TW)
(**) Term: **15 Years**
(21) Appl. No.: **29/764,644**

10,710,674 B2 * 7/2020 Inoue B62M 3/086
11,124,265 B1 * 9/2021 Liu B62M 3/083
2003/0029270 A1 * 2/2003 Milanowski B62M 3/08
74/594.4
2003/0029271 A1 * 2/2003 Shuman B62M 3/086
74/594.6
2007/0193402 A1 * 8/2007 Hsieh B62M 3/086
74/560
2021/0347438 A1 * 11/2021 Hickernell B62M 3/08

(22) Filed: **Dec. 31, 2020**
(51) **LOC (13) Cl.** **12-11**
(52) **U.S. Cl.**
USPC **D12/125**
(58) **Field of Classification Search**
USPC D12/125, 174
CPC B62M 3/08; B62M 3/086
See application file for complete search history.

OTHER PUBLICATIONS

“Shimano Ultegra PD-R8000 Pedals” Shimano., posted date Oct. 25, 2017 [online], [retrieved on Jan. 14, 2022]. Retrieved from the Internet <URL:https://www.amazon.com/Shimano-PD-R8000-Pro-Level-Road-Pedal/dp/B071WR7MLW?ref_ast_sto_dp&th=1&psc=1> (Year: 2017).*

(Continued)

Primary Examiner — Darlington Ly
Assistant Examiner — Nasim Abdulaziz Ali
(74) *Attorney, Agent, or Firm* — Alan D. Kamrath; Karin L. Williams; Mayer & Williams PC

(56) **References Cited**
U.S. PATENT DOCUMENTS

D324,838 S * 3/1992 Briscadiou 74/594.4
6,070,493 A * 6/2000 Chen B62M 3/086
74/594.4
D486,426 S * 2/2004 Lin D12/125
7,024,962 B2 * 4/2006 Chen B62M 3/086
36/131
D522,414 S * 6/2006 Chen D12/125
D683,273 S * 5/2013 Winkie D12/125
8,714,052 B2 * 5/2014 Chamberlain B62M 3/08
74/594.4
8,857,292 B2 * 10/2014 Bryne B62M 3/086
74/594.6
9,056,652 B2 * 6/2015 Inoue B62M 3/086
9,499,231 B2 * 11/2016 Bryne B62M 3/086
9,511,817 B2 * 12/2016 Bryne B62M 3/086
9,795,184 B2 * 10/2017 Ueda A43B 13/14
10,040,507 B2 * 8/2018 Coderre B62M 3/086
10,182,609 B2 * 1/2019 Bryne B62M 3/086
10,689,065 B2 * 6/2020 Inoue B62M 3/086

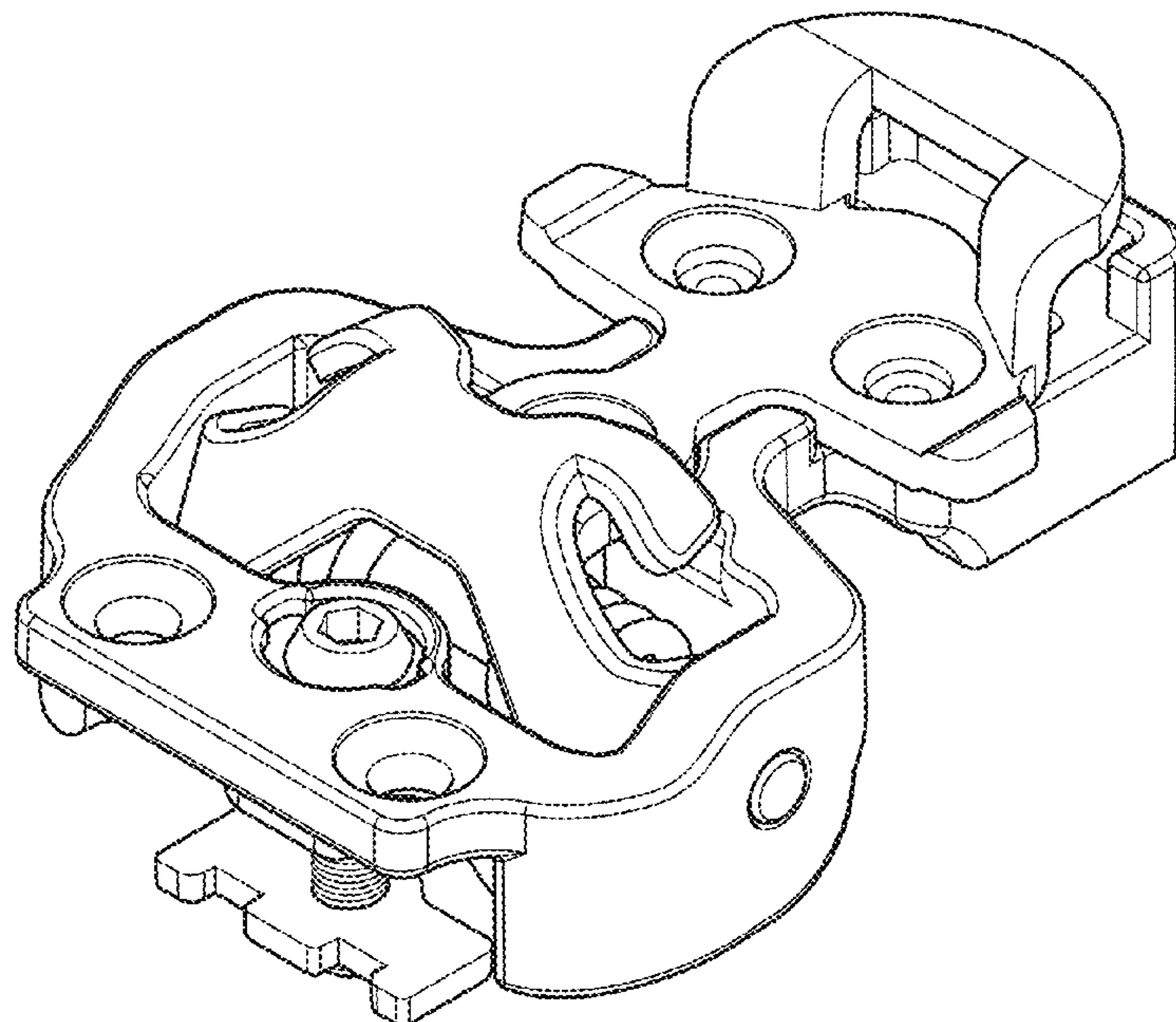
(57) **CLAIM**

The ornamental design for a clipless bicycle pedal, as shown and described.

DESCRIPTION

FIG. 1 is a front-right-top perspective view of a clipless bicycle pedal showing my new design; FIG. 2 is a front elevational view thereof; FIG. 3 is a rear elevational view thereof; FIG. 4 is a left side elevational view thereof; FIG. 5 is a right side elevational view thereof; FIG. 6 is a top plan view thereof; and, FIG. 7 is a bottom plan view thereof.

1 Claim, 4 Drawing Sheets



(56)

References Cited

OTHER PUBLICATIONS

"BV Bike 1/2" Dual Pedals" BV store., posted date Feb. 5, 2021 [online], [retrieved on Jan. 14, 2022]. Retrieved from the Internet <URL:https://www.amazon.com/BV-Compatible-Shimano-Exercise-Peloton/dp/B08W231KS3/ref=pd_lpo_2?pd_rd_i=B08W231KS3&pisc=1> (Year: 2021).*

"JOROTO SPD Pedals 1/2"MTB" JOROTO., posted date Mar. 12, 2021 [online], [retrieved on Jan. 14, 2022]. Retrieved from the Internet <URL:https://www.amazon.com/JOROTO-Pedals-Included-Suitable-Exercise/dp/B08YQP2HHP> (Year: 2021).*

"ZERAY Carbon Road Bike Pedals Peloton Pedal Clipless" ZERAY., posted date Nov. 4, 2019 [online], [retrieved on Jan. 14, 2022]. Retrieved from the Internet <URL:https://www.amazon.com/HEPINGJIANGENBO-Pedals-Cycling-Compatible-Structure/dp/B09575ZDF4?th=1> (Year: 2019).*

* cited by examiner

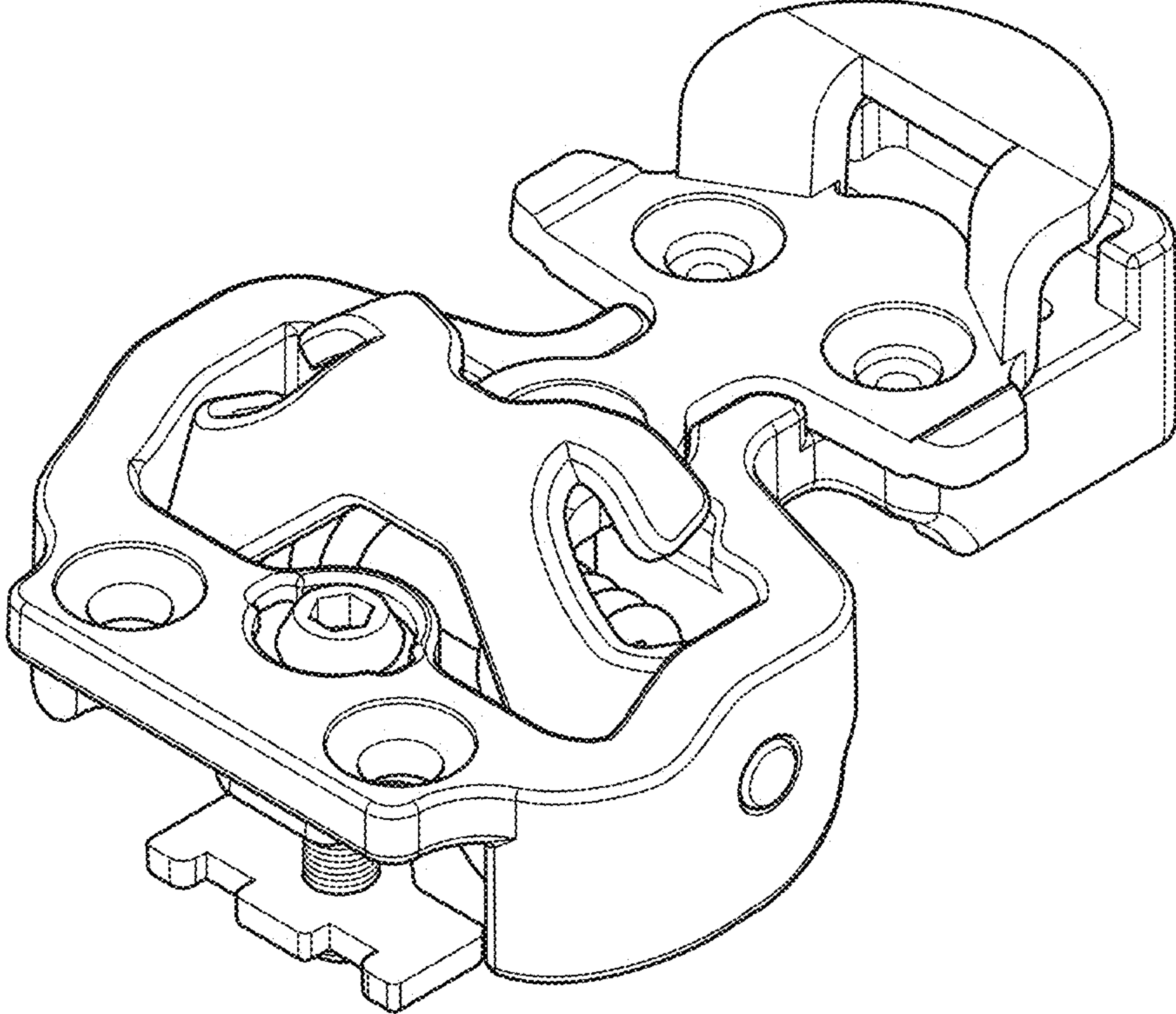


FIG. 1

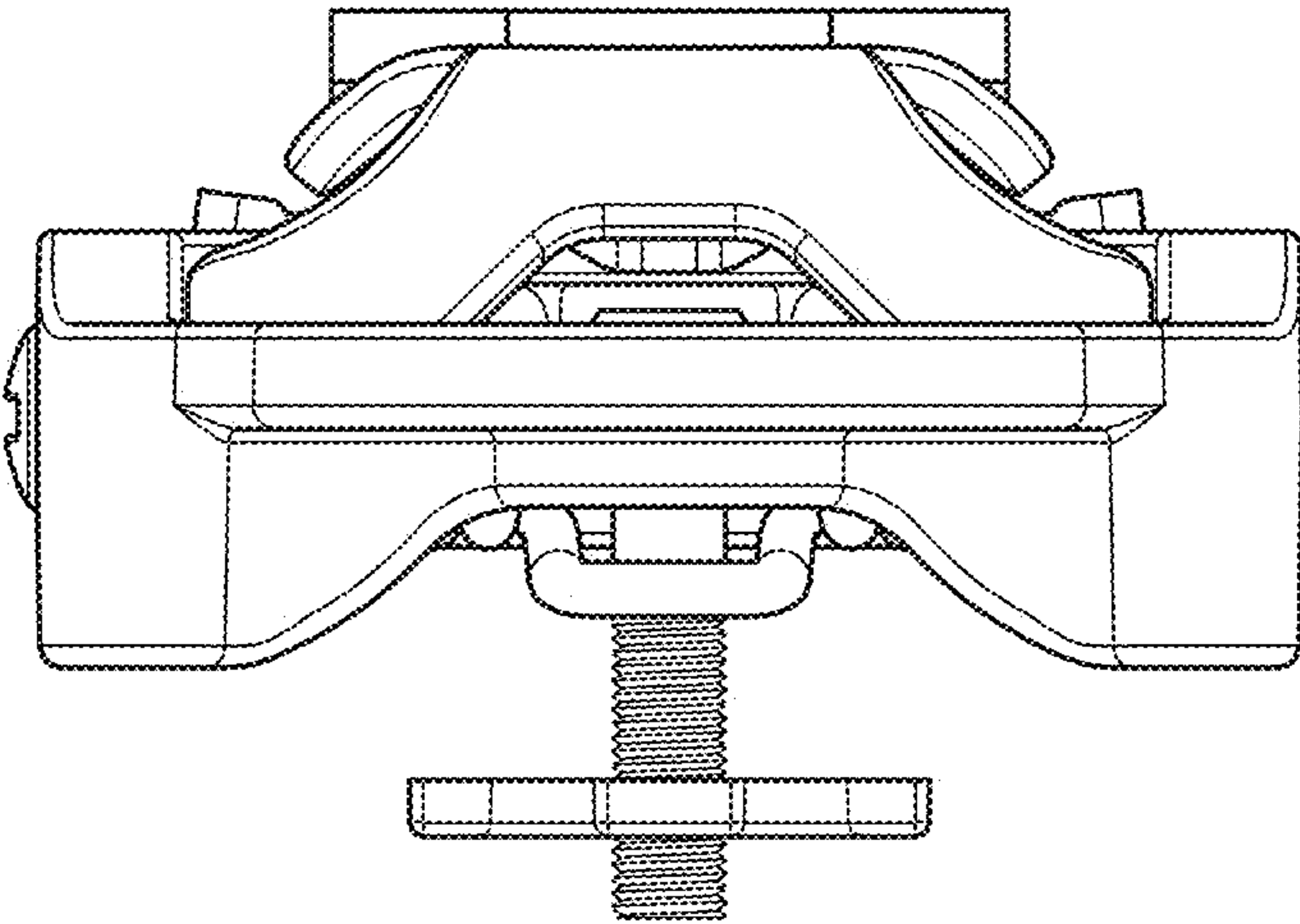


FIG. 2

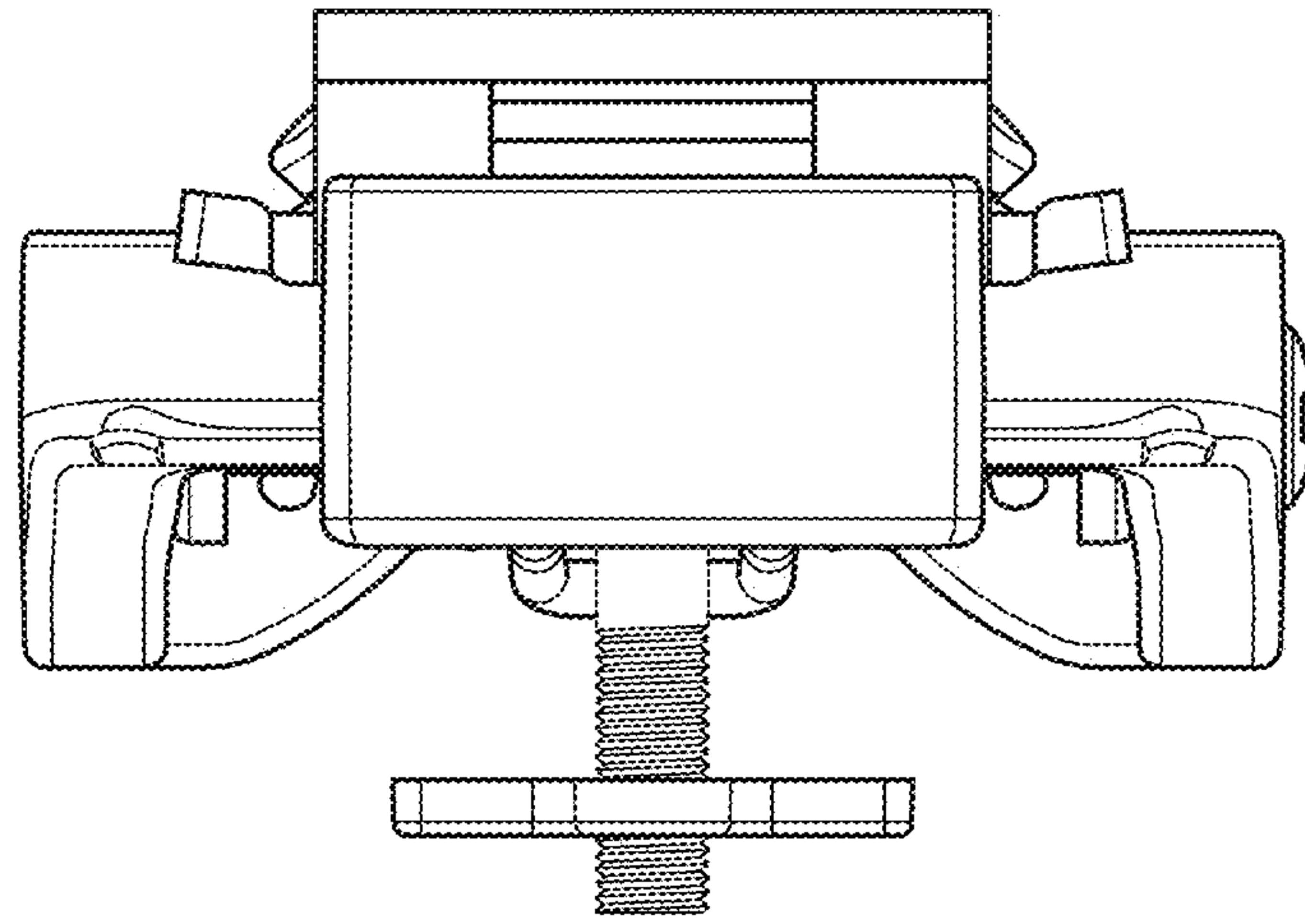


FIG. 3

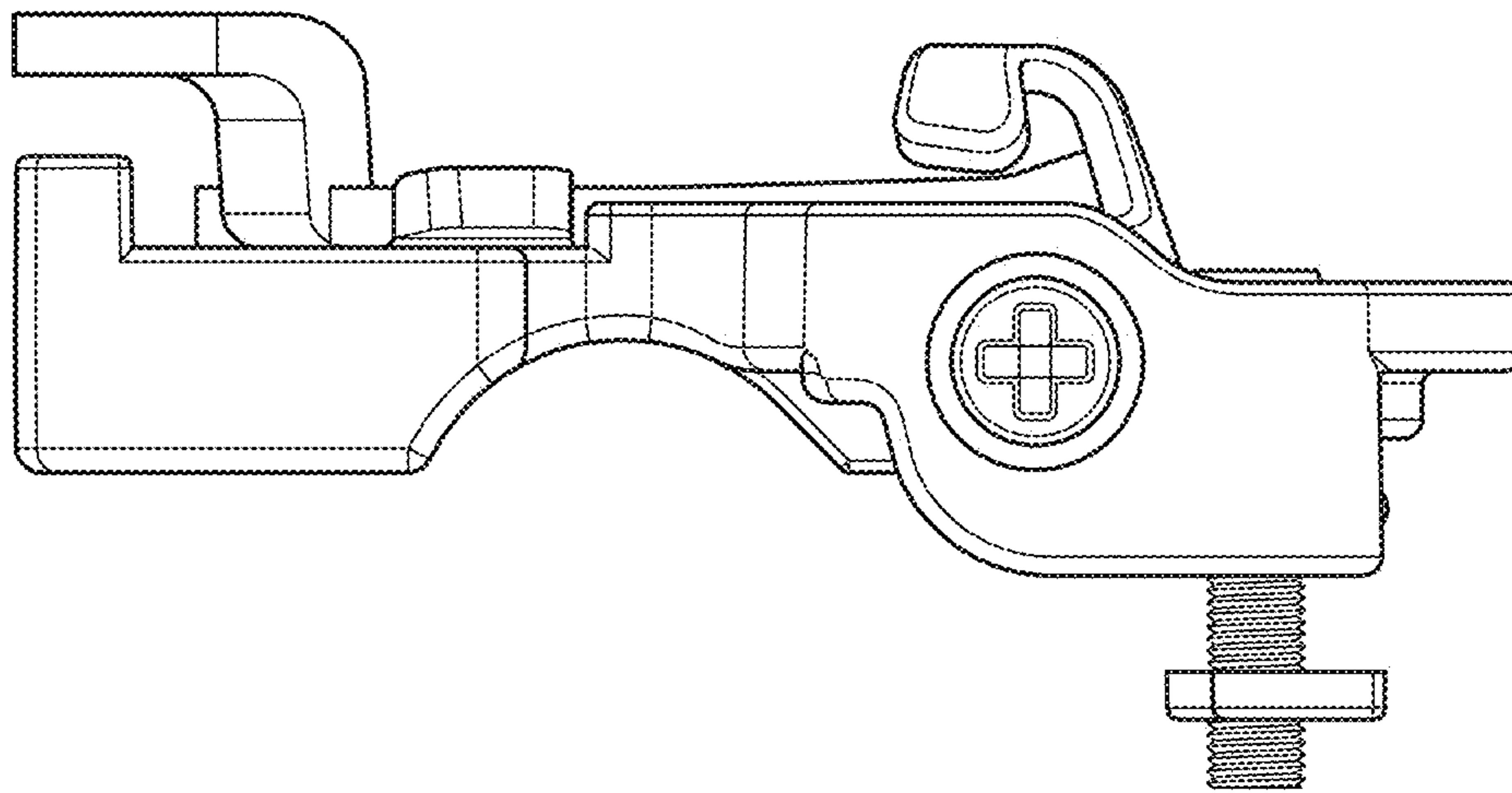


FIG. 4

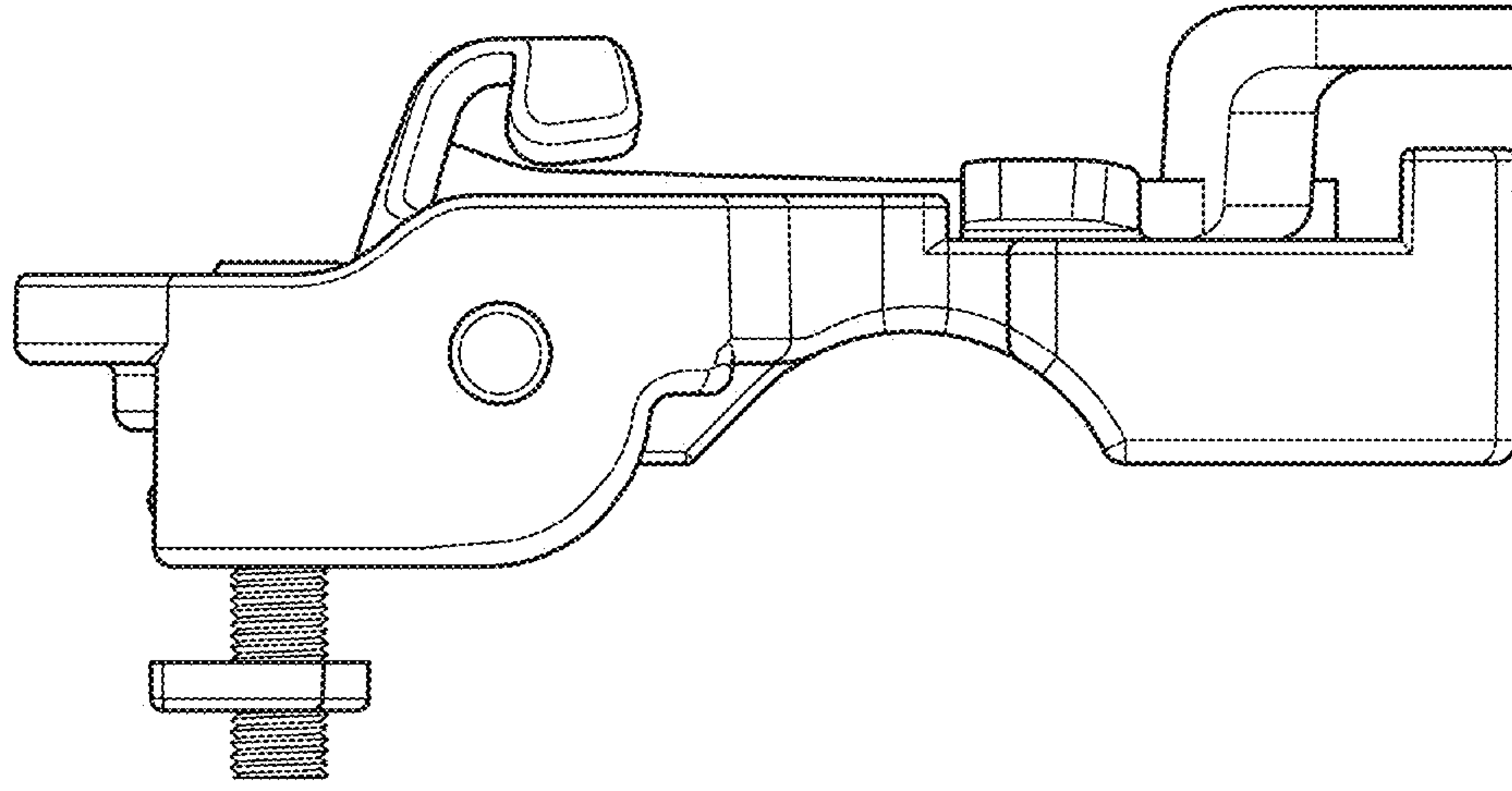


FIG. 5

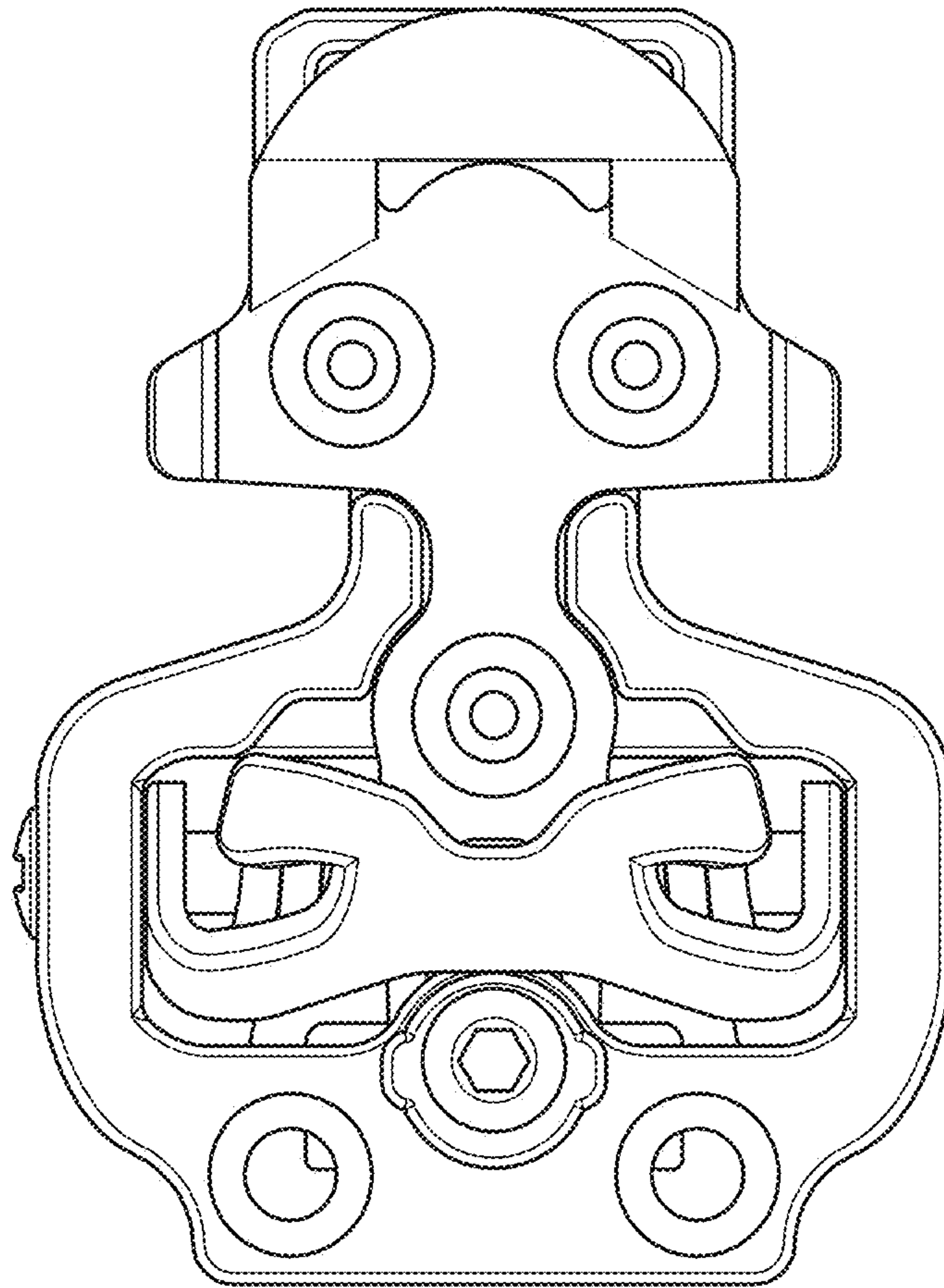


FIG. 6

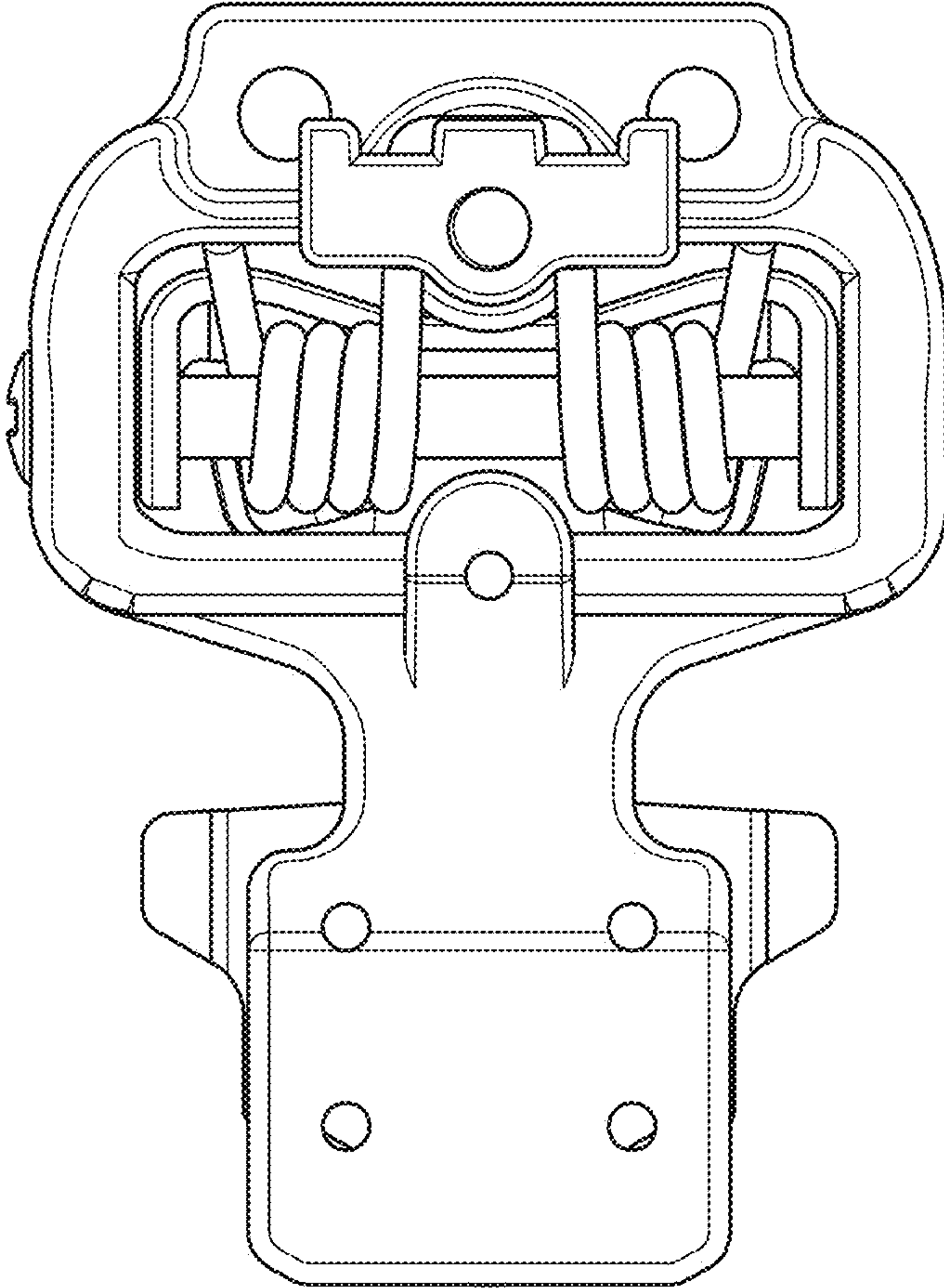


FIG. 7