



US00D970394S

(12) **United States Design Patent** (10) **Patent No.:** **US D970,394 S**  
**Schwartz et al.** (45) **Date of Patent:** **\*\* Nov. 22, 2022**

(54) **VEHICLE CAB**

OTHER PUBLICATIONS

(71) Applicant: **Shem, LLC**, Highland Park, IL (US)  
(72) Inventors: **Eric Robert Schwartz**, Long Grove, IL (US); **Adam J. Burck**, Glenview, IL (US); **Kyle Allen Ezra**, Birmingham, AL (US); **Herman Edward Steyn**, Richmond, IN (US); **Jon Hull**, Rancho Santa Margarita, CA (US); **Mike Desmond**, Somis, CA (US); **Chris Schuttera**, Ladera Ranch, CA (US); **Gary Ragle**, Cincinnati, OH (US)

Vehicle Cab. (Design—© Questel) orbit.com. [Online PDF compilation of references] 54 pgs. Print Dates Range Dec. 3, 2020-Nov. 5, 2019 [Retrieved Dec. 16, 2021].\*

(Continued)

*Primary Examiner* — George D. Kirschbaum  
*Assistant Examiner* — Suzanne E Tisdell  
(74) *Attorney, Agent, or Firm* — Brooks Kushman P.C.

(73) Assignee: **Shem, LLC**, Highland Park, IL (US)

(57) **CLAIM**

(\*\*) Term: **15 Years**

The ornamental design for a vehicle cab, as shown and described.

(21) Appl. No.: **29/733,613**

**DESCRIPTION**

(22) Filed: **May 5, 2020**

(51) **LOC (13) Cl.** ..... **12-08**

(52) **U.S. Cl.**  
USPC ..... **D12/96**

(58) **Field of Classification Search**  
USPC ..... D12/13, 14, 84, 93, 95, 99, 159  
CPC ..... B62D 33/06; B62D 33/07; B62D 25/04;  
B62D 25/06; B62D 25/08; B60P 3/34;  
H04N 5/2253; B60Q 1/04; B60Q 1/24;  
B60K 1/04; B60W 30/0956; B60R 9/048  
See application file for complete search history.

FIG. 1 is a front perspective view of a vehicle cab according to an embodiment;  
FIG. 2 is a rear perspective view of the vehicle cab of FIG. 1;  
FIG. 3 is a front view of the vehicle cab of FIG. 1;  
FIG. 4 is a rear view of the vehicle cab of FIG. 1;  
FIG. 5 is a right side view of the vehicle cab of FIG. 1;  
FIG. 6 is a left side view of the vehicle cab of FIG. 1;  
FIG. 7 is a top view of the vehicle cab of FIG. 1;  
FIG. 8 is a bottom view of the vehicle cab of FIG. 1;  
FIG. 9 is a front perspective view of a vehicle cab according to an embodiment;  
FIG. 10 is a rear perspective view of the vehicle cab of FIG. 9;  
FIG. 11 is a front view of the vehicle cab of FIG. 9;  
FIG. 12 is a rear view of the vehicle cab of FIG. 9;  
FIG. 13 is a right side view of the vehicle cab of FIG. 9;  
FIG. 14 is a left side view of the vehicle cab of FIG. 9;  
FIG. 15 is a top view of the vehicle cab of FIG. 9; and,  
FIG. 16 is a bottom view of the vehicle cab of FIG. 9.  
The broken lines are for illustrative purposes only and form no part of the claimed design.

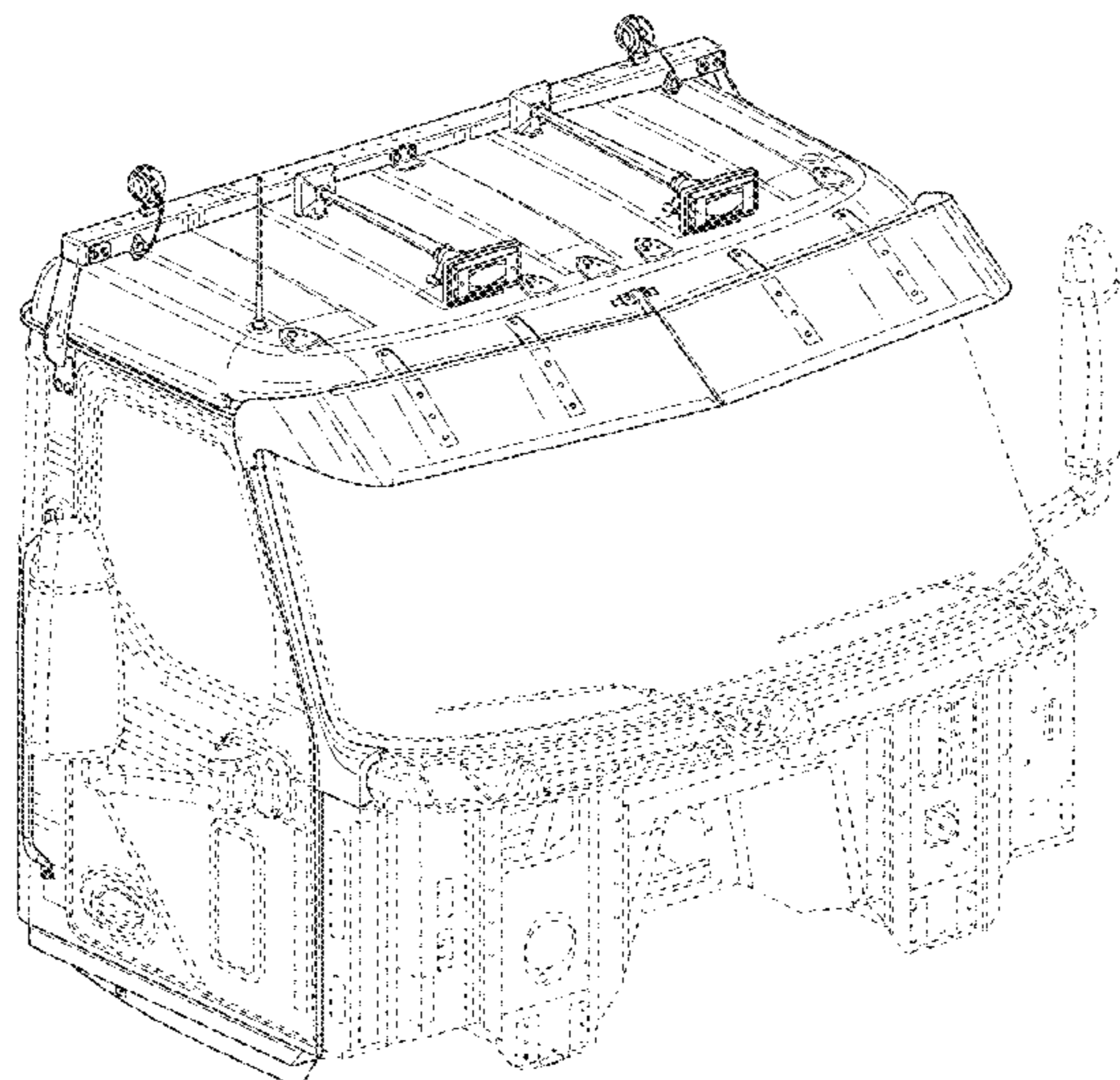
(56) **References Cited**

U.S. PATENT DOCUMENTS

|            |         |                 |
|------------|---------|-----------------|
| D305,746 S | 1/1990  | Allendorph      |
| D315,329 S | 3/1991  | Tisten et al.   |
| D317,425 S | 6/1991  | Vysotsky et al. |
| D319,812 S | 9/1991  | Tisten et al.   |
| D327,456 S | 6/1992  | Sacco et al.    |
| D394,026 S | 5/1998  | Hellhake et al. |
| D399,791 S | 10/1998 | Hellhake et al. |
| D399,792 S | 10/1998 | Hellhake et al. |

(Continued)

**1 Claim, 16 Drawing Sheets**



(56)

**References Cited**

U.S. PATENT DOCUMENTS

D406,553 S 3/1999 Hellhake et al.  
 D413,838 S 9/1999 McDaniel  
 D416,221 S 11/1999 Sutton et al.  
 D421,412 S 3/2000 Sutton et al.  
 D422,534 S 4/2000 Hellhake et al.  
 D425,446 S 5/2000 Schnell  
 D441,363 S 5/2001 Heard et al.  
 D442,890 S 5/2001 Beigel  
 D444,737 S 7/2001 Allendorph et al.  
 D458,875 S 6/2002 Maher et al.  
 D460,023 S 7/2002 Beigel  
 D462,036 S 8/2002 Mondragon Sarmiento et al.  
 D465,749 S 11/2002 Beigel  
 D489,649 S 5/2004 Satou et al.  
 D490,749 S 6/2004 Satou et al.  
 D542,715 S 5/2007 Beigel et al.  
 D558,643 S 1/2008 Beigel et al.  
 D566,009 S 4/2008 Beigel et al.  
 D719,879 S 12/2014 Ito et al.  
 D758,253 S 6/2016 Brzustowicz et al.  
 D764,972 S 8/2016 Gonzalez  
 D767,444 S 9/2016 Chun et al.  
 D799,380 S 10/2017 Cosme et al.  
 D827,498 S 9/2018 Anderson et al.  
 D828,226 S 9/2018 Cotner  
 D897,895 S 10/2020 Zhang et al.  
 D913,858 S 3/2021 Wang et al.

2019/0031111 A1\* 1/2019 Roy ..... B60R 9/048  
 2019/0225468 A1\* 7/2019 Lemke ..... B62D 33/06  
 2019/0345689 A1\* 11/2019 Tatsuta ..... B62D 25/04  
 2020/0086796 A1\* 3/2020 Berne ..... B60Q 1/24  
 2020/0086865 A1\* 3/2020 Machay ..... B60W 30/0956  
 2020/0122661 A1\* 4/2020 Pawlowski ..... B60K 1/04  
 2020/0156712 A1\* 5/2020 Hermann ..... B60Q 1/04  
 2020/0238908 A1\* 7/2020 Berne ..... H04N 5/2253  
 2020/0255068 A1\* 8/2020 De Smidt ..... B62D 33/077  
 2020/0346697 A1\* 11/2020 Schwalbe ..... B62D 25/08  
 2021/0070215 A1\* 3/2021 McCoy, Jr. .... B60P 3/34  
 2021/0237662 A1\* 8/2021 Berne ..... B62D 33/06  
 2021/0387682 A1\* 12/2021 Kim ..... B62D 33/07

OTHER PUBLICATIONS

Duncan, Tamara. "Lake Saint Louis Firetruck's Cab Lift Malfunctions." Jul. 7, 2016. 70 West Sentinel. <https://www.70westsentinel.com/lake-saint-louis-firetrucks-cab-lift-malfunctions/>.  
 "KME Severe Service Split Tilt Cab Fire Truck Demo." 2019. Bulldog Fire and Emergency Apparatus. <https://www.bulldogfireapparatus.com/listings/stop-by-our-facility-to-see-our-kme-severe-service-split-tilt-cab-fire-truck-demo/>.  
 "Seagrave Attacker." Aug. 2020. Seagrave. <https://seagrave.com/Portals/0/Attacker%209-10-20.pdf>.  
 Canada Examination Report for Application No. 198963, dated Apr. 28, 2022, 3 pages.

\* cited by examiner

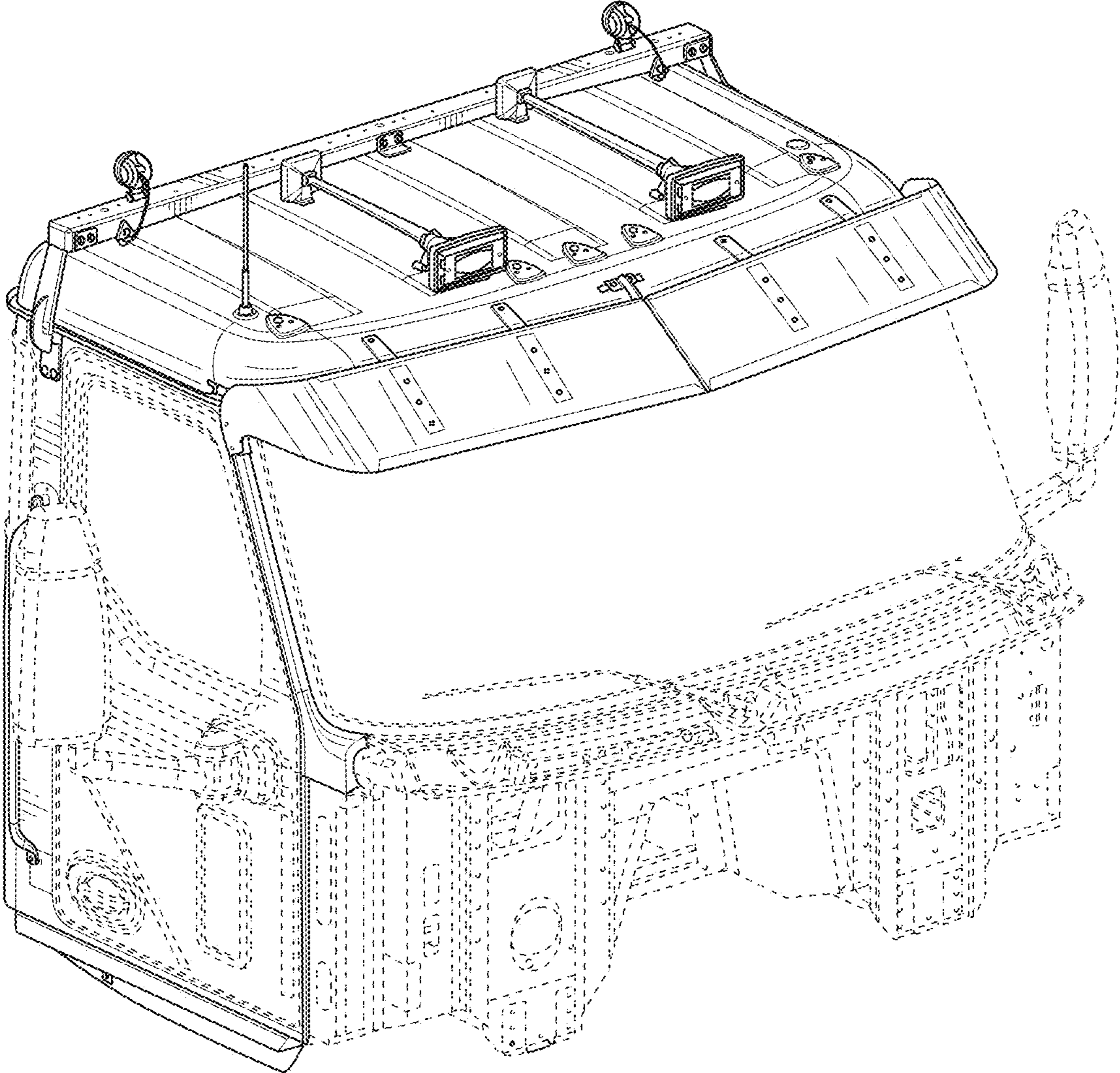


FIG. 1

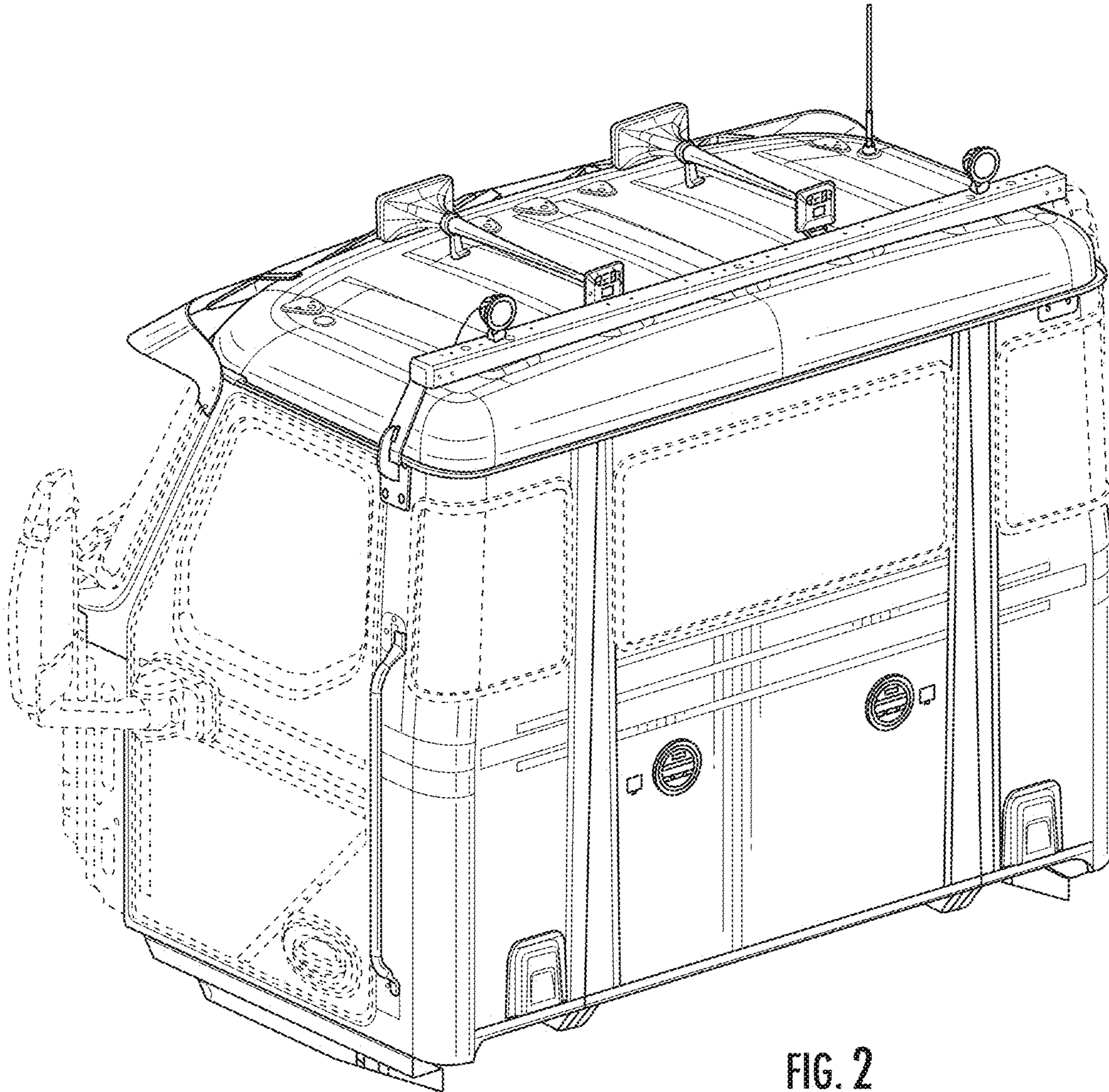


FIG. 2

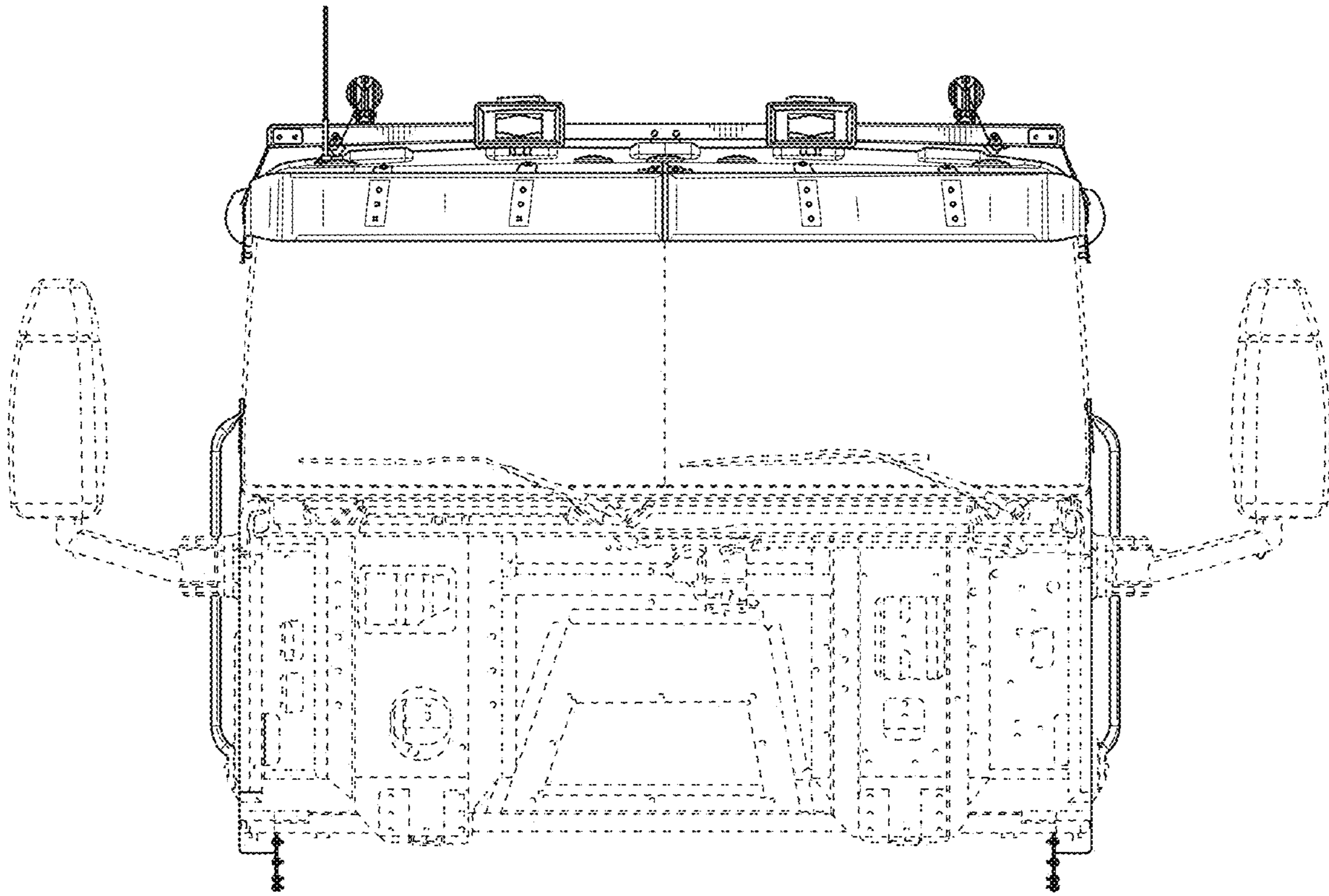


FIG. 3

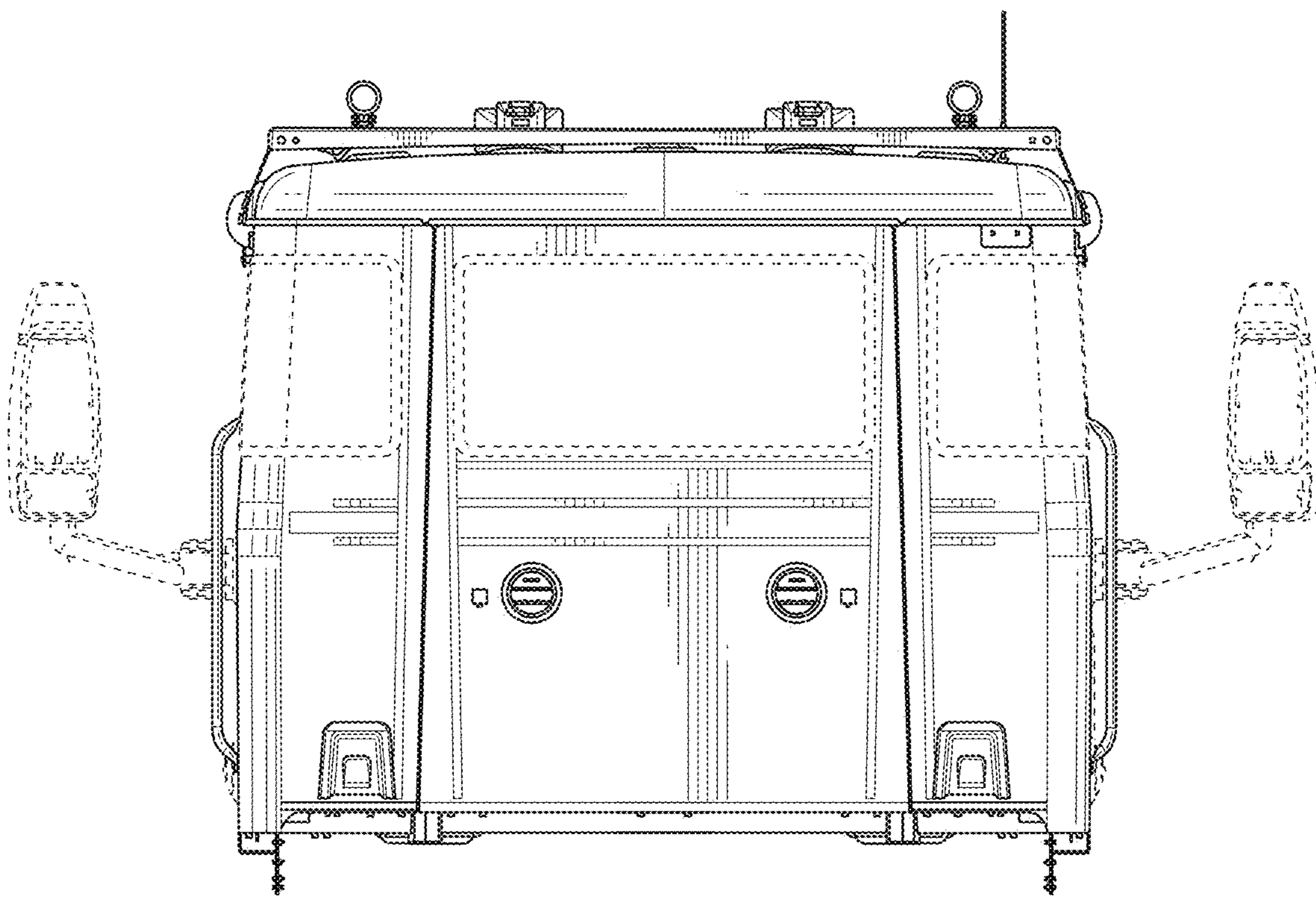


FIG. 4

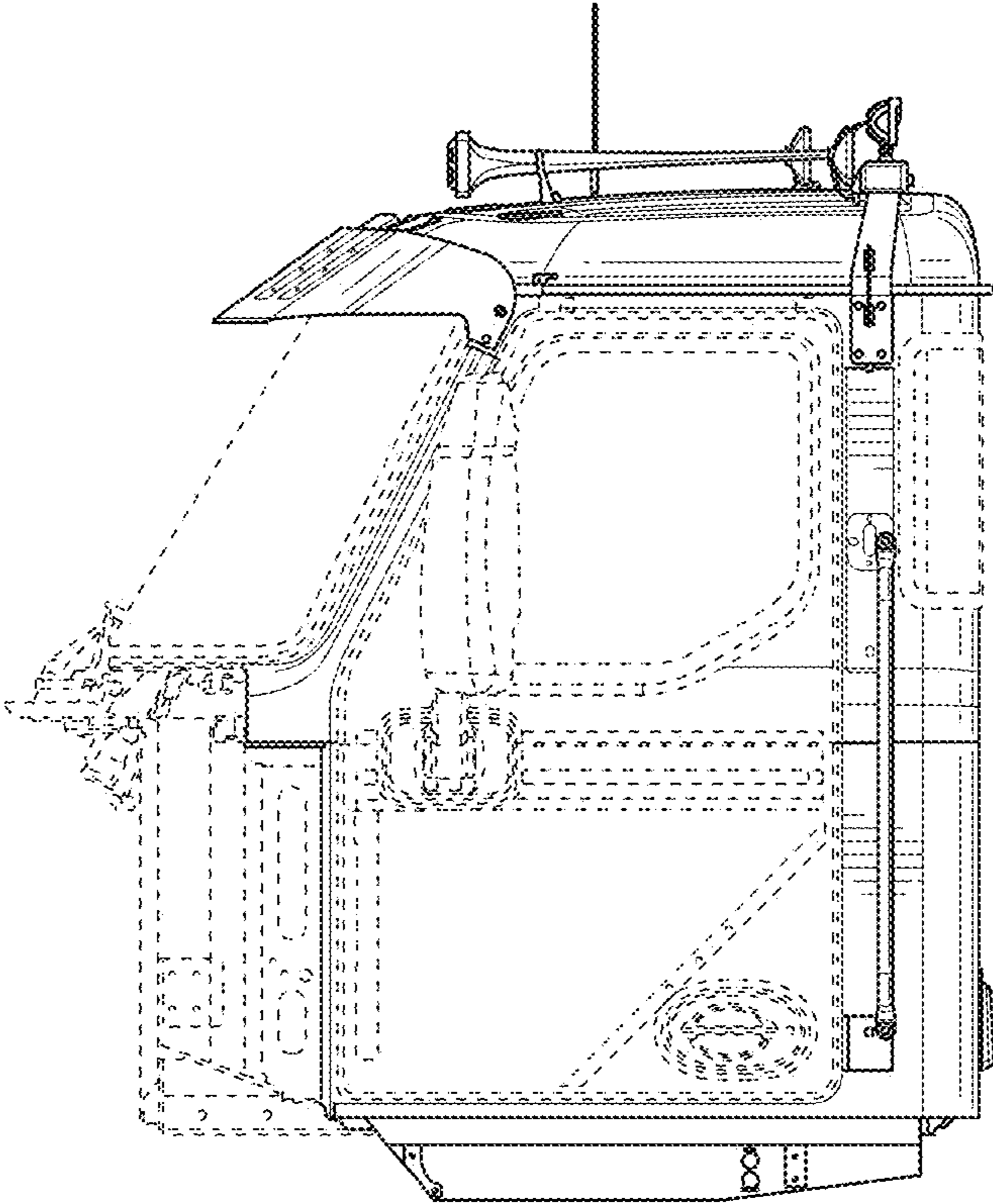


FIG. 5

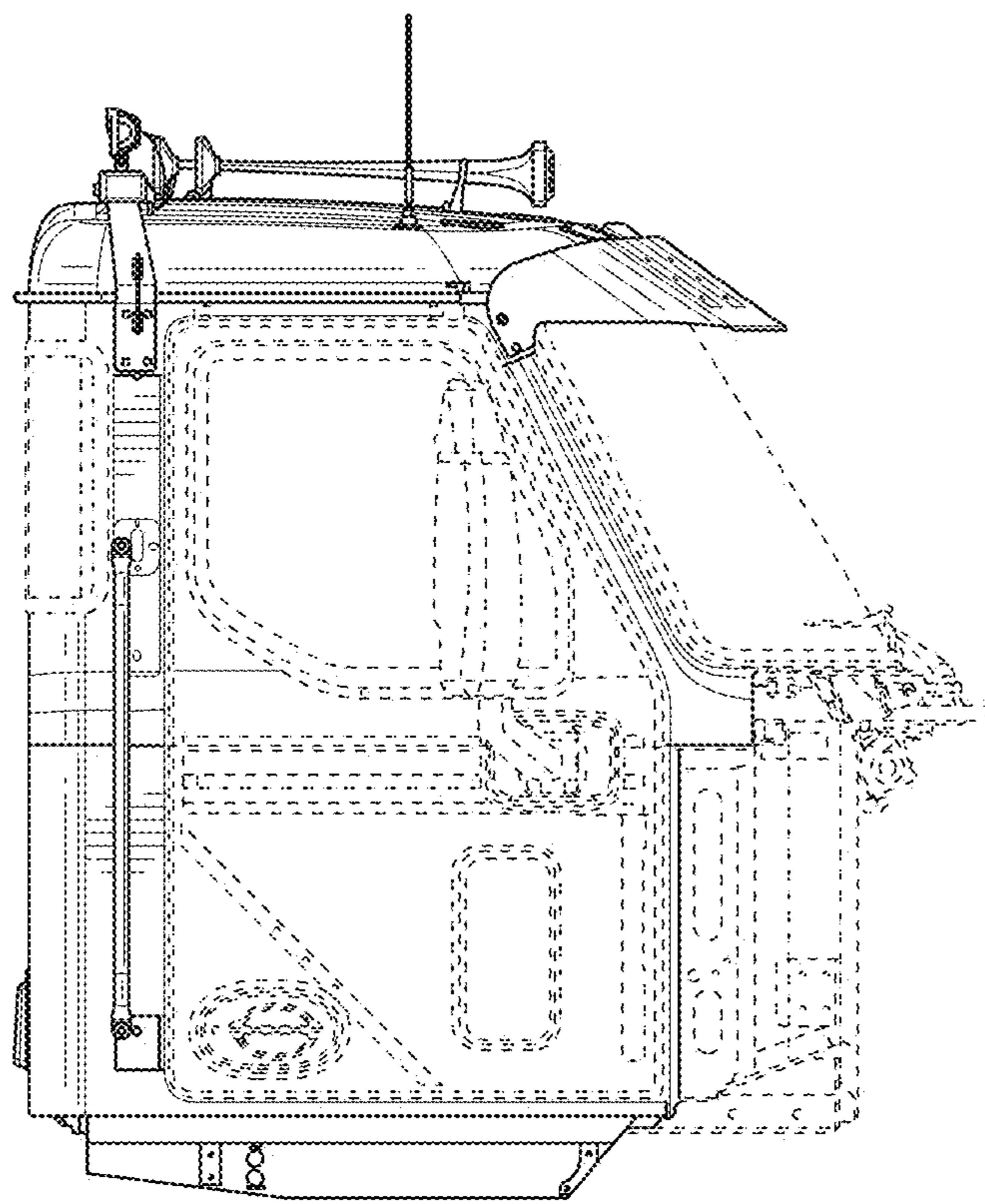


FIG. 6



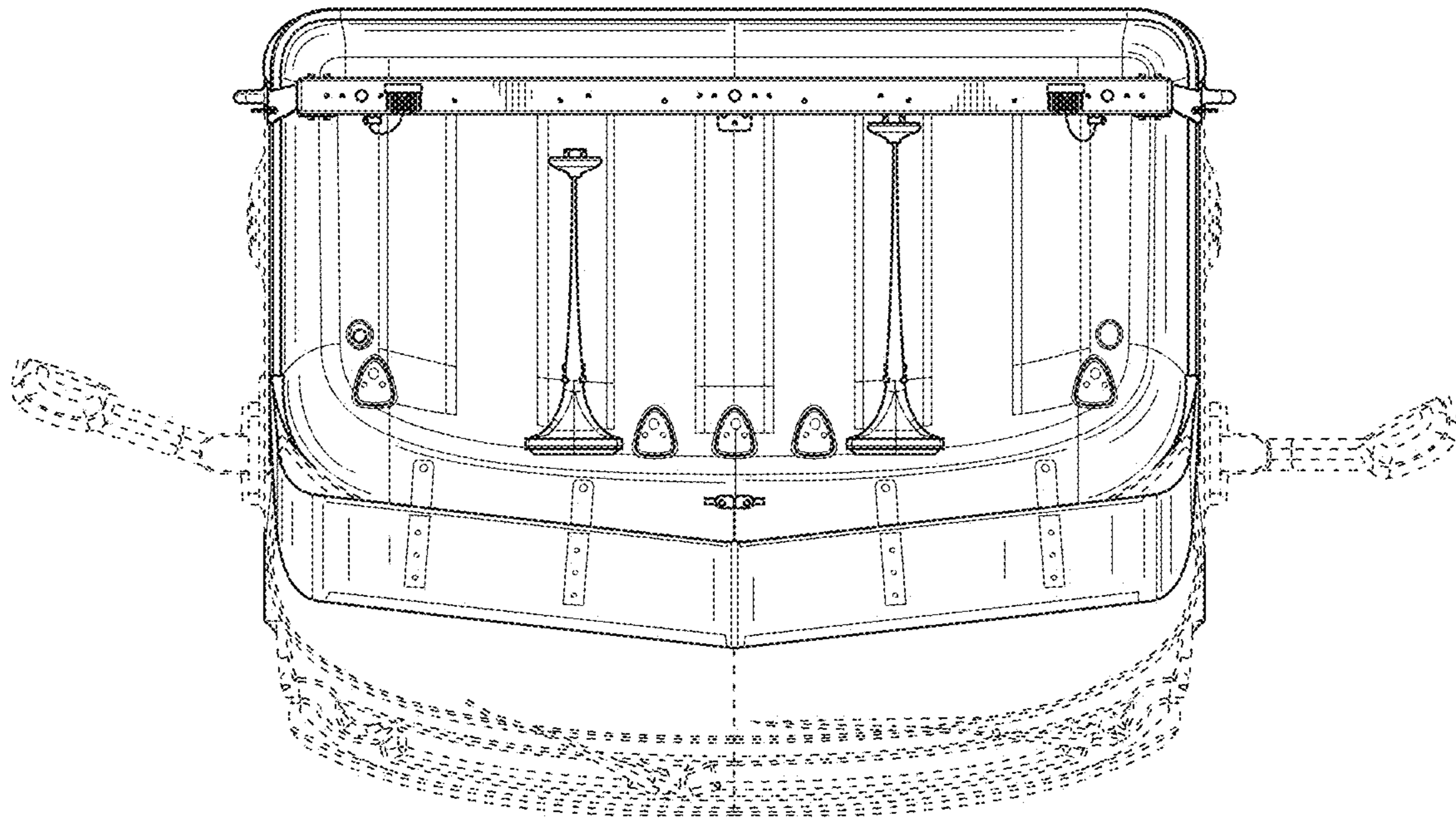


FIG. 7

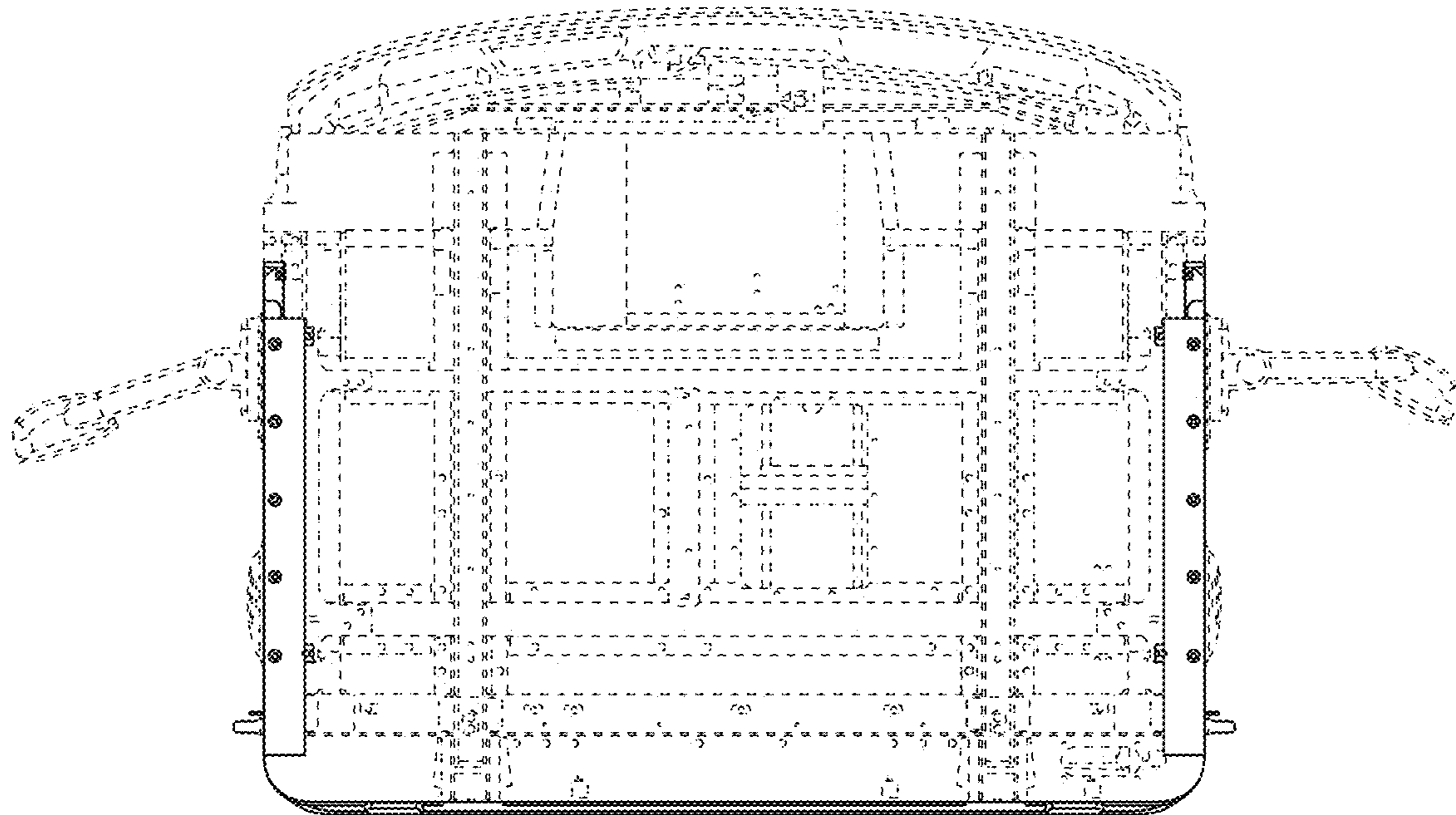


FIG. 8

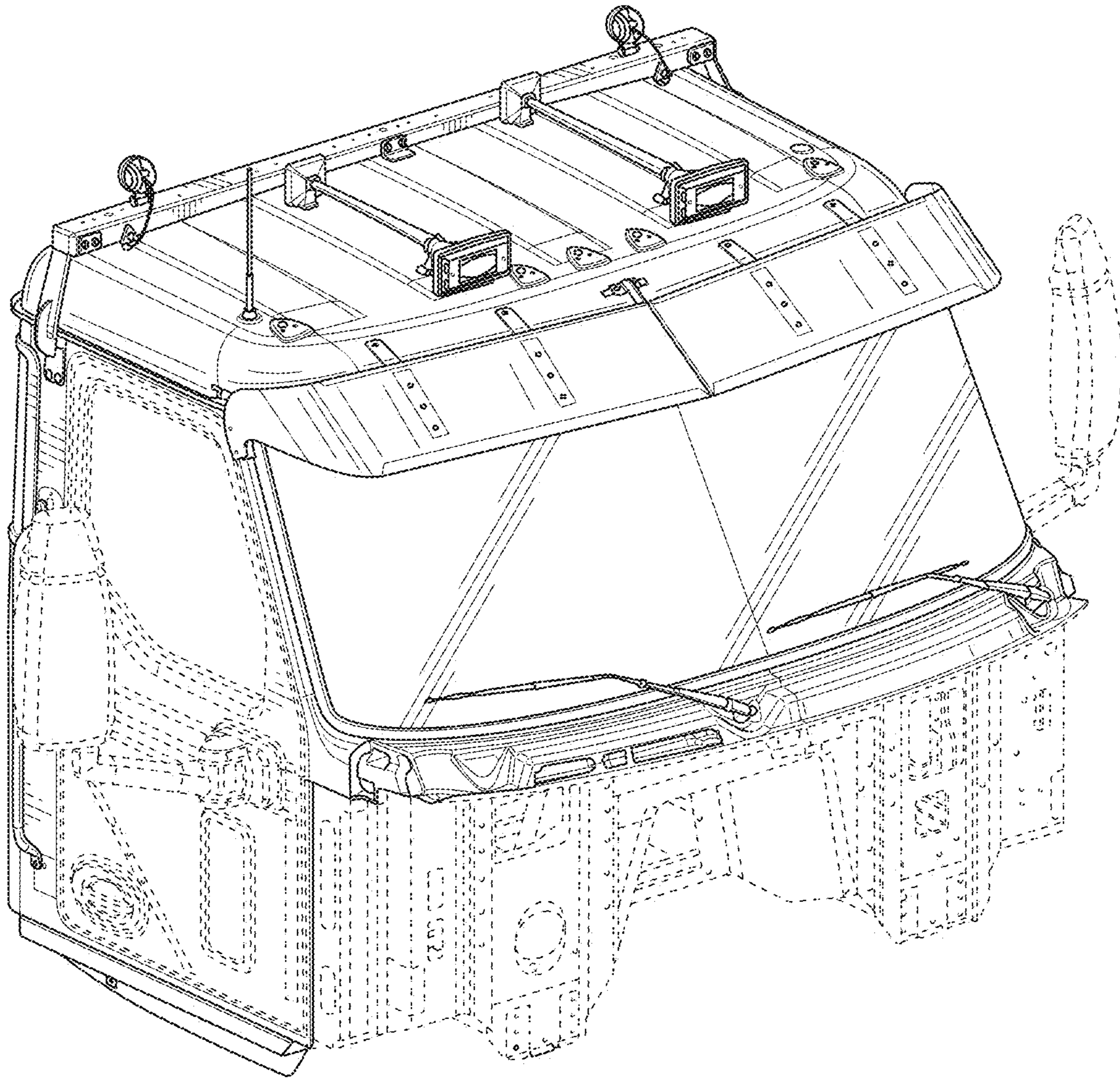


FIG. 9

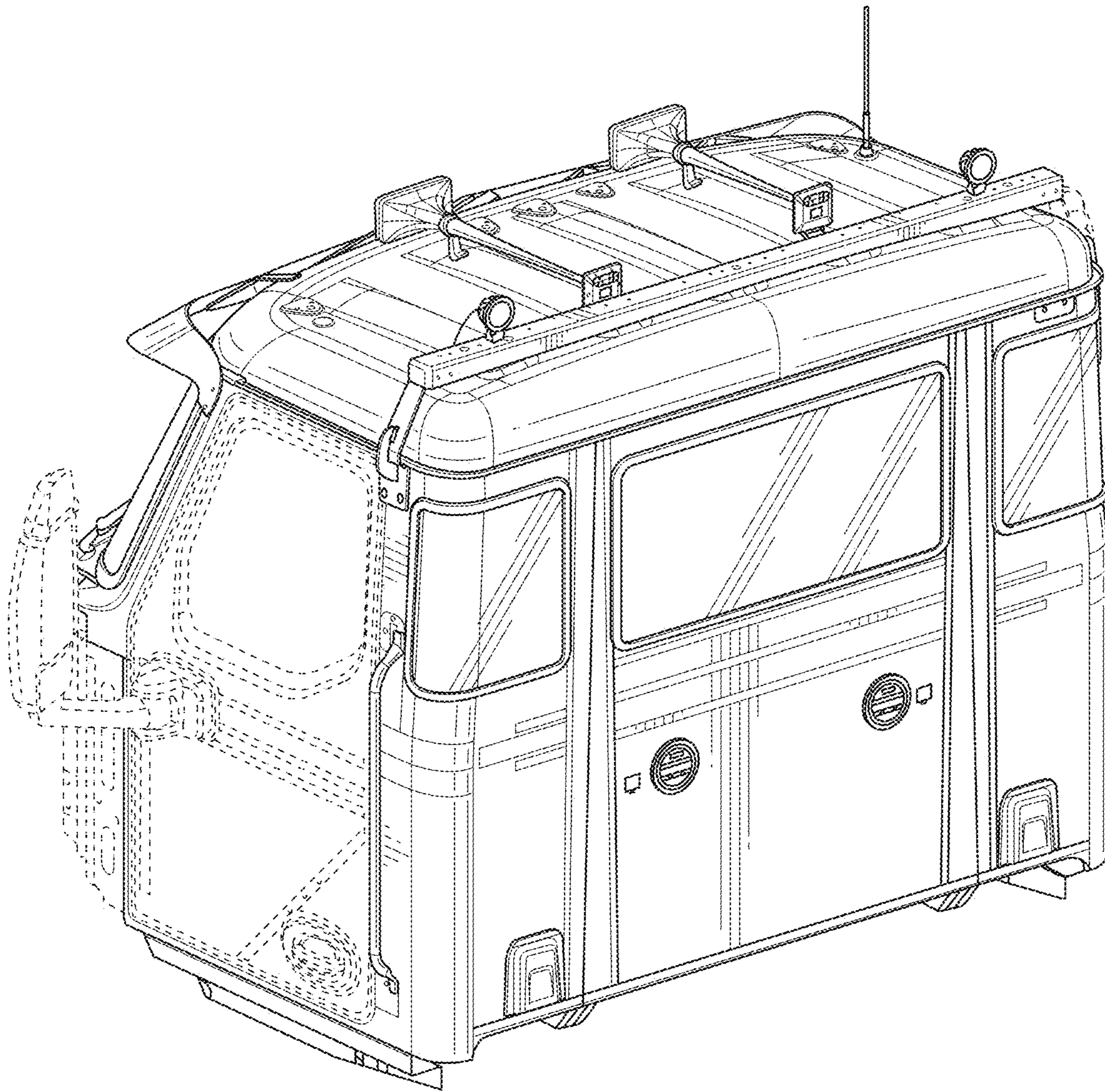


FIG. 10

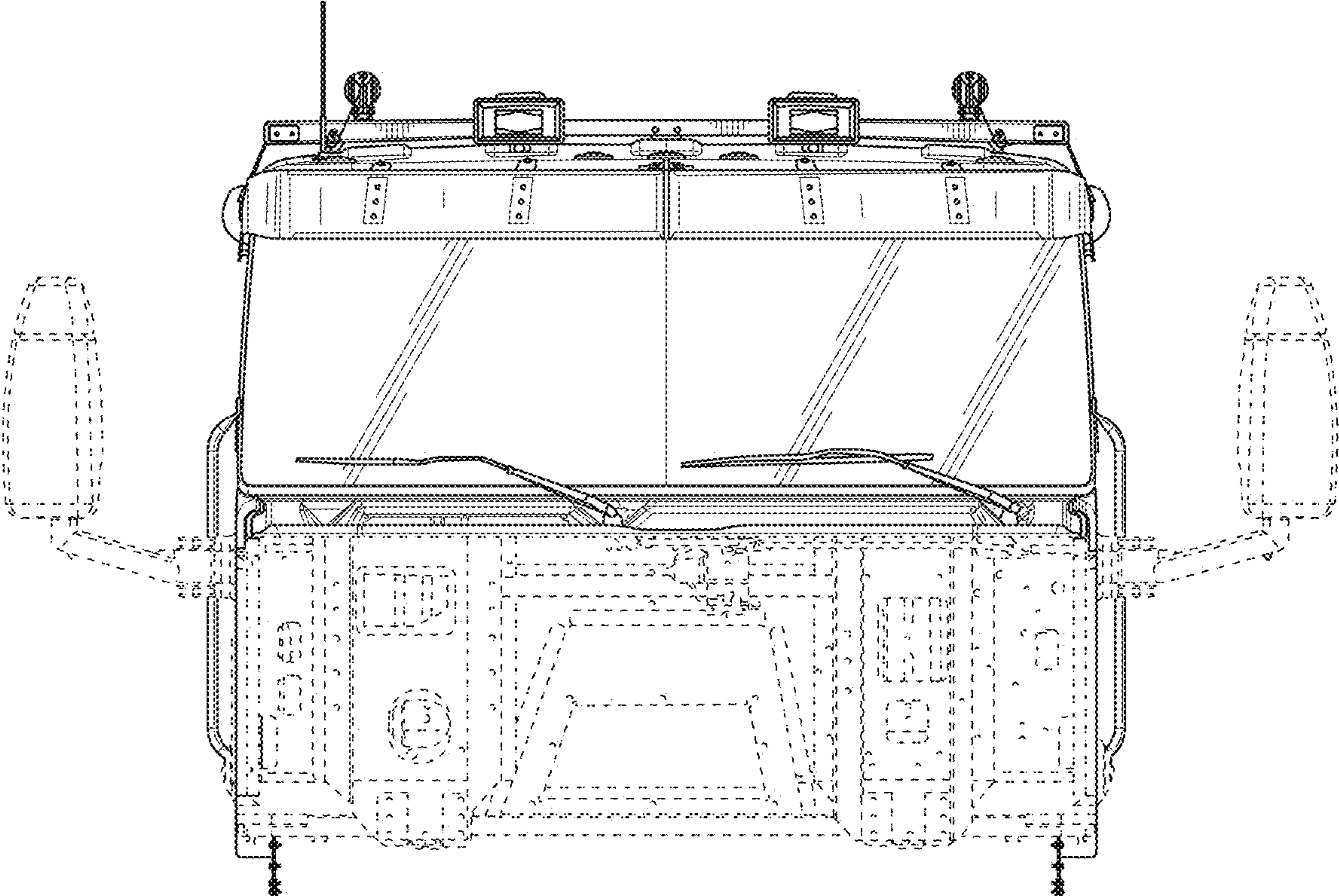


FIG. 11

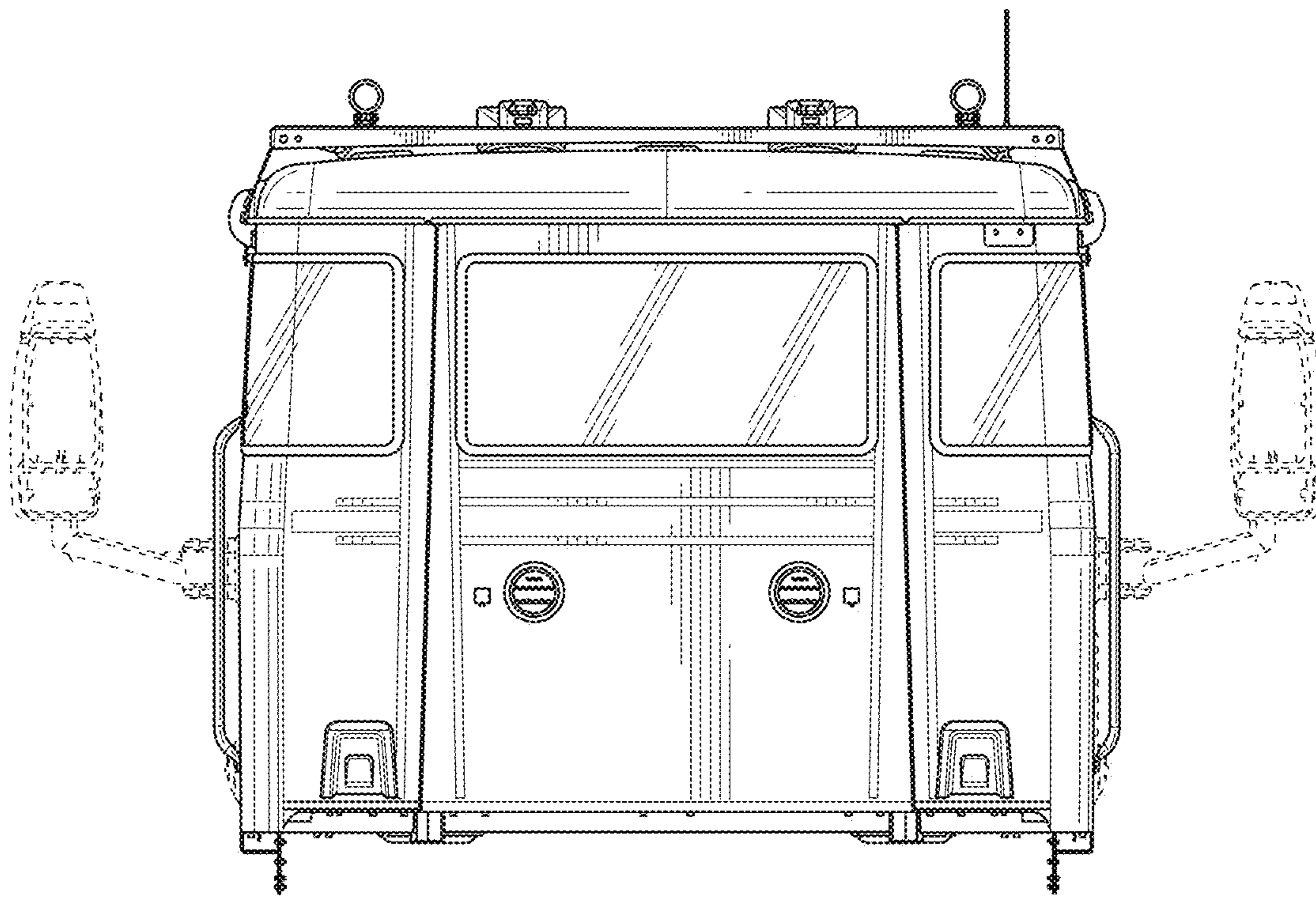


FIG. 12

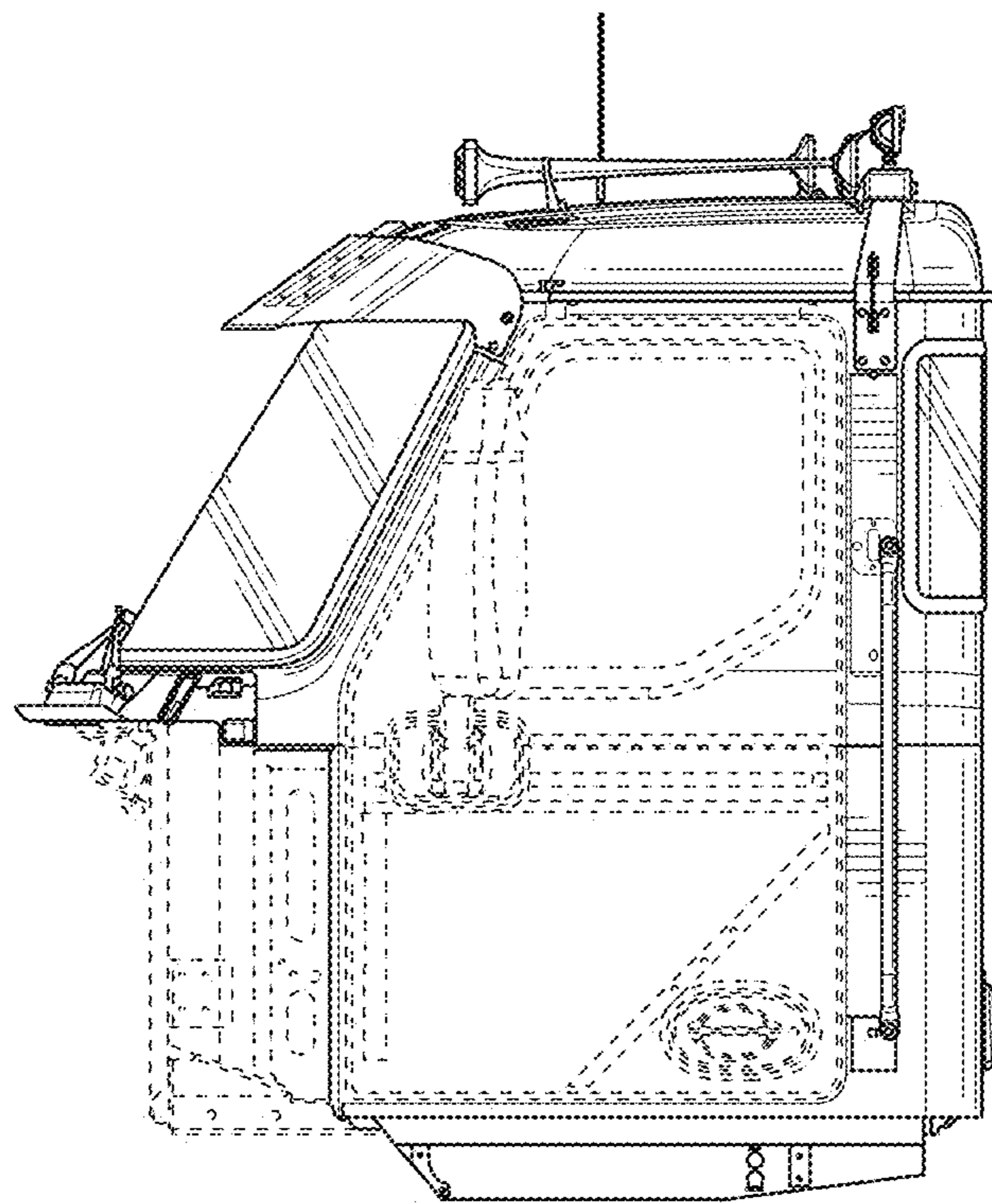


FIG. 13

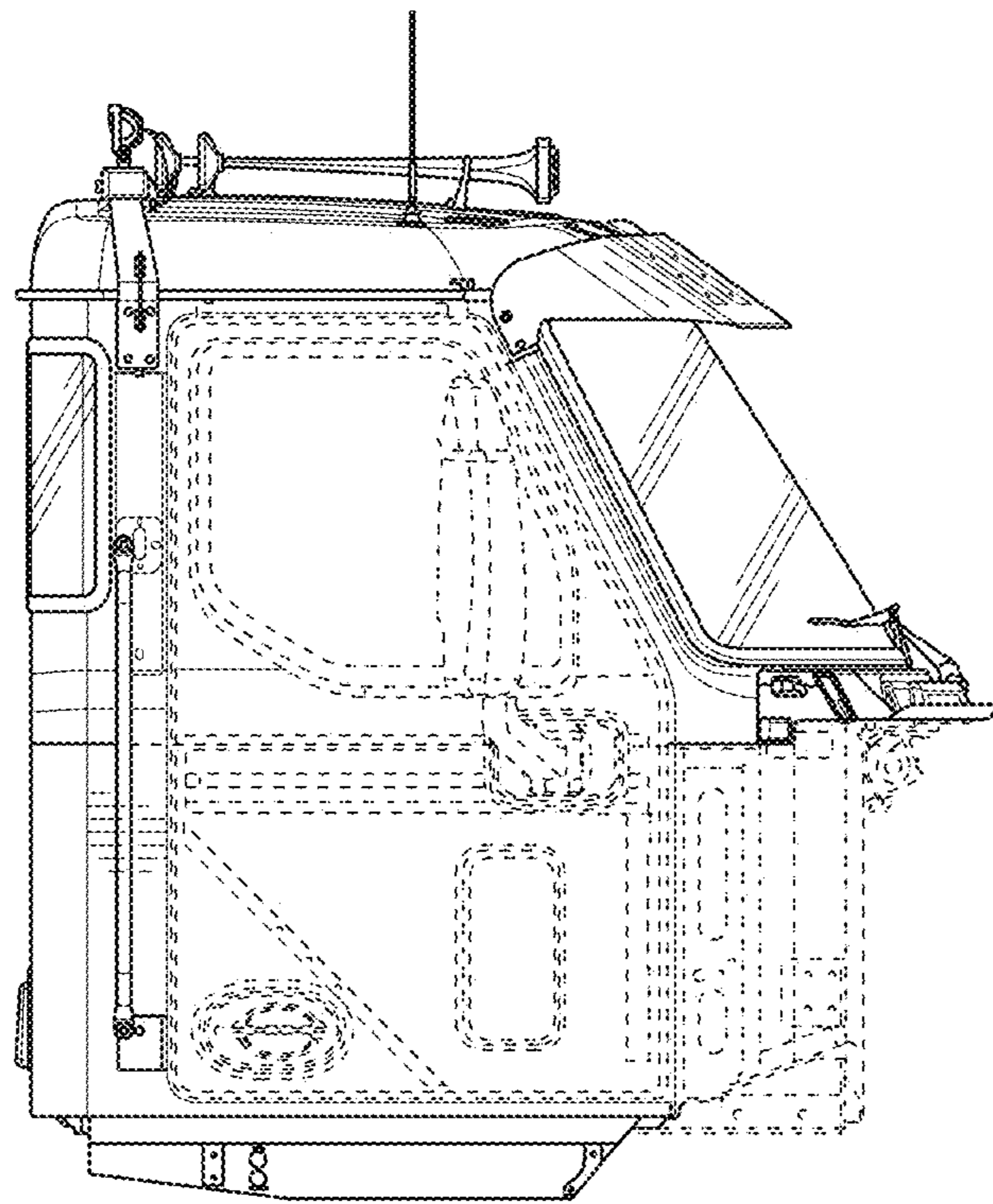


FIG. 14



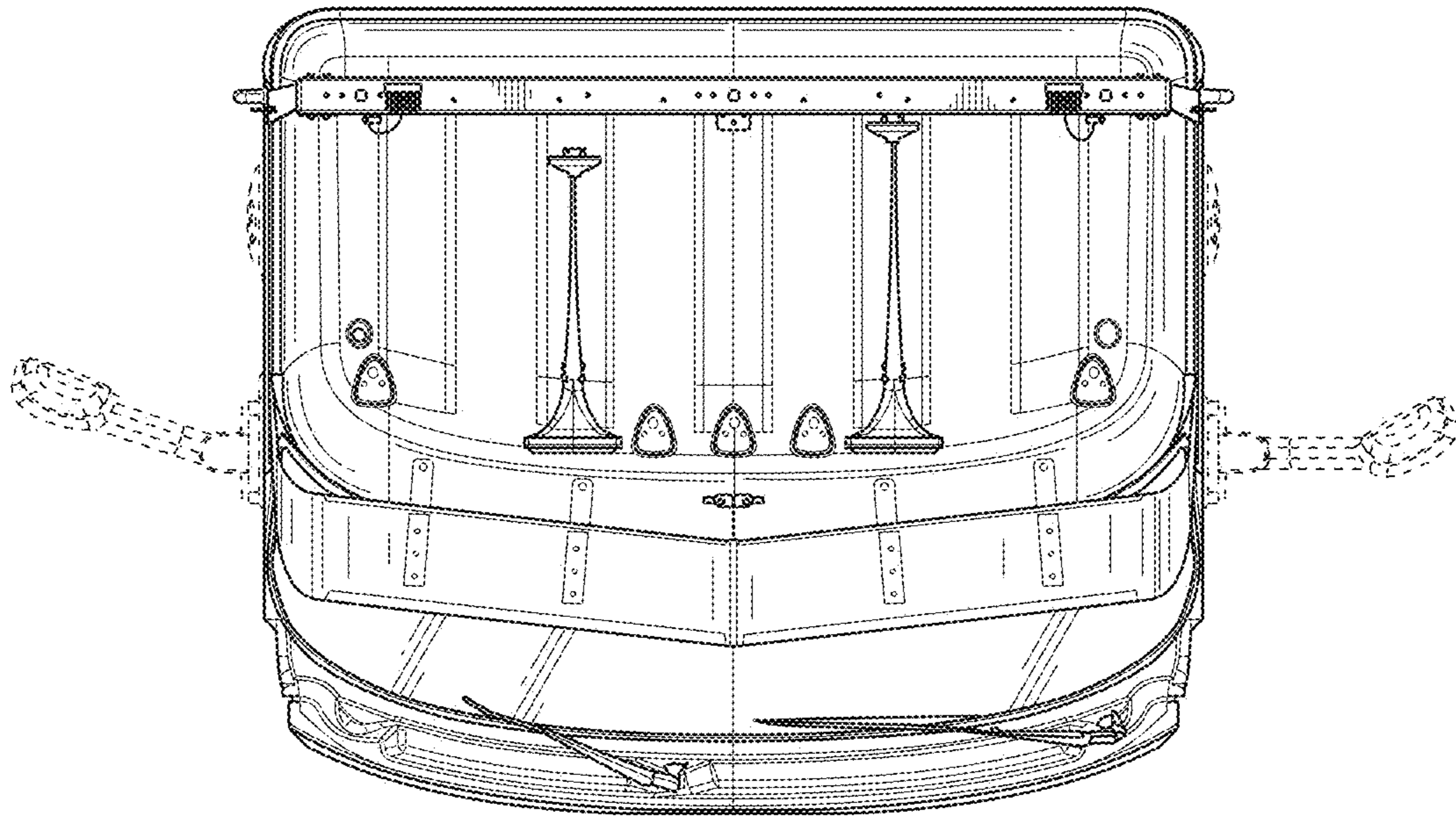


FIG. 15

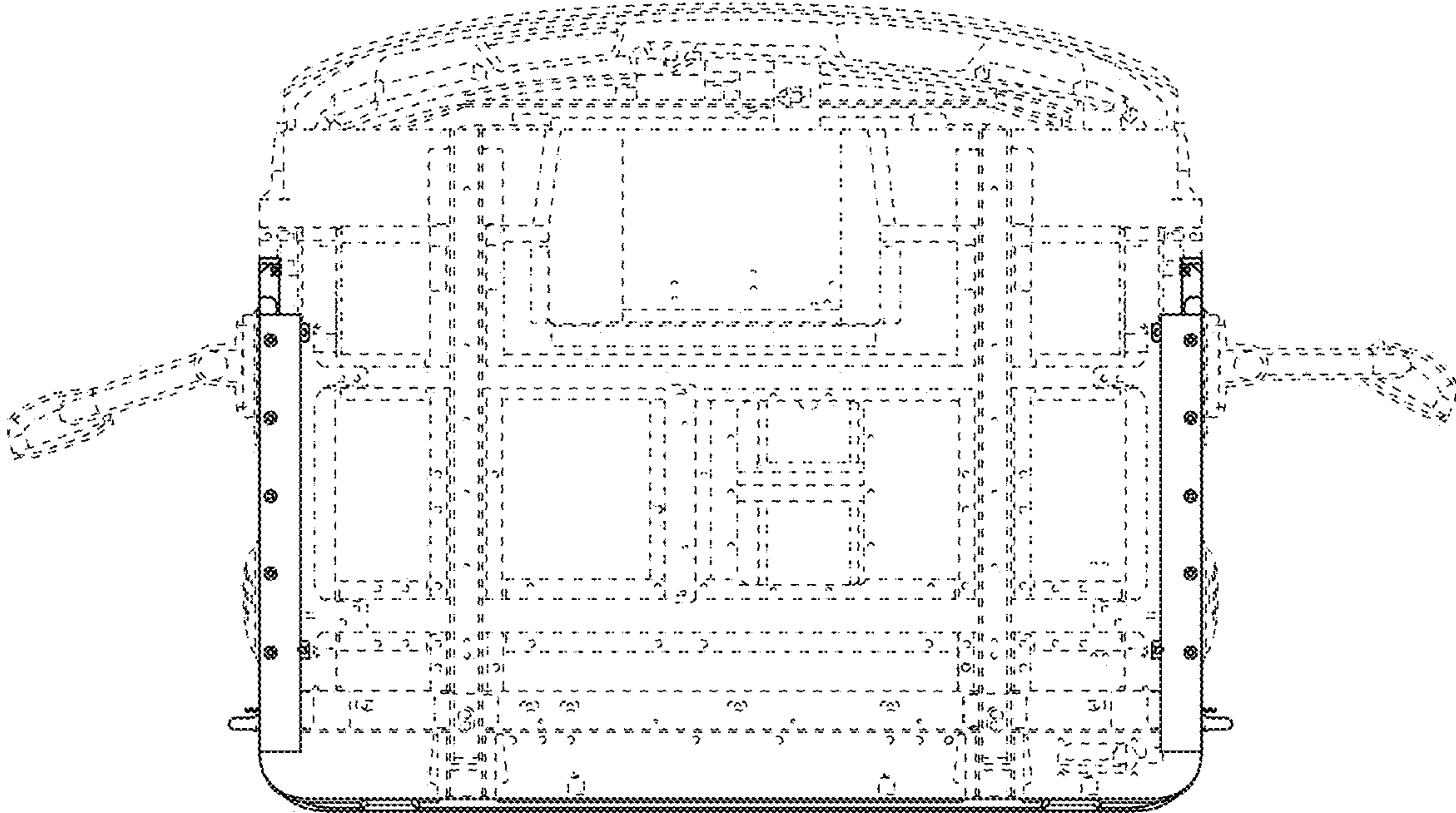


FIG. 16