



US00D970391S

(12) **United States Design Patent** (10) **Patent No.:** **US D970,391 S**
Mouquet (45) **Date of Patent:** **** Nov. 22, 2022**

(54) **BELT BUCKLE**
(71) Applicant: **HERMES SELLIER (Société par actions simplifiée)**, Paris (FR)
(72) Inventor: **Philippe Mouquet**, Paris (FR)
(**) Term: **15 Years**
(21) Appl. No.: **35/512,526**
(22) Filed: **Mar. 10, 2021**
(80) **Hague Agreement Data**
Int. Filing Date: **Mar. 10, 2021**
Int. Reg. No.: **DM/213188**
Int. Reg. Date: **Mar. 10, 2021**
Int. Reg. Pub. Date: **Sep. 10, 2021**
(51) **LOC (13) Cl.** **02-07**
(52) **U.S. Cl.**
USPC **D11/231**
(58) **Field of Classification Search**
USPC D11/200, 201, 202, 212, 218, 219, 231,
D11/232, 234, 235, 236; D2/624, 625,
D2/627, 639; D30/136
CPC A44B 11/00; A44B 11/001; A44B 11/005;
A44B 11/006; A44B 11/008; A44B 11/02;
A44B 11/20; A44B 11/22; A44B 11/223;
A44B 11/226; A44B 11/24; B68C 1/14
See application file for complete search history.

(56) **References Cited**
U.S. PATENT DOCUMENTS
1,145,151 A * 7/1915 Lagenbach A44B 11/24
24/178
D85,025 S * 9/1931 Youngberg D11/231
D123,025 S * 10/1940 Colnes D11/231
2,783,516 A * 3/1957 Stein A44B 11/22
D11/231
2,884,675 A * 5/1959 Sternschuss A44B 11/22
D11/231
D416,828 S * 11/1999 Hwang D11/237

D513,207 S * 12/2005 Jones D11/231
D525,907 S * 8/2006 Mouquet D11/234
D536,281 S * 2/2007 Mouquet D11/234
D543,488 S * 5/2007 Tobergte D11/234
D578,933 S * 10/2008 Brown D11/231
D579,820 S * 11/2008 Brown D11/231
D637,519 S * 5/2011 Coffman D11/234
D682,736 S * 5/2013 Ng D11/234
D708,549 S * 7/2014 Kao D11/234
D711,777 S * 8/2014 Monachon D11/234
D755,076 S * 5/2016 Blocker D11/234
D793,281 S * 8/2017 Maier D11/234
D827,215 S * 8/2018 Kao D30/139
D856,190 S * 8/2019 Dumas D11/231
D885,973 S * 6/2020 Hardy D11/234
D915,936 S * 4/2021 Mouquet D11/231

(Continued)

OTHER PUBLICATIONS

25mm inner 1"metal belt buckle single prong belt buckle strap buckle adjuster buckle webbing buckle purse buckle bag hardware 2-4-10pcs, https://www.etsy.com/listing/1021173943/25mm-inner-1metal-belt-buckle-single?click_key=4045f625c6fc0989bdc91fc2ff398199bd395baf%3A1021173943, Jan. 9, 2021. (Year: 2021).*

(Continued)

Primary Examiner — Elizabeth J Oswecki

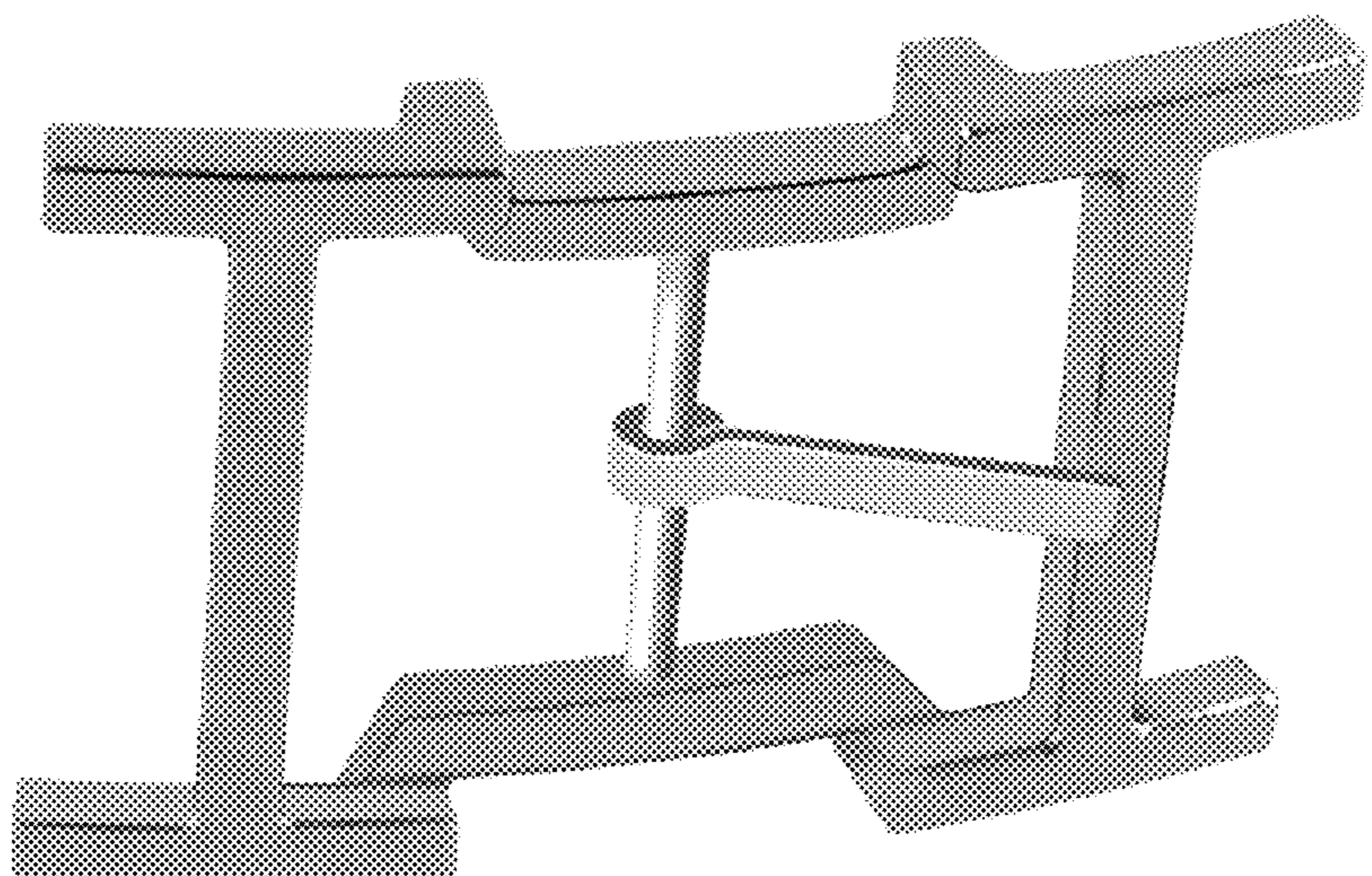
(57) **CLAIM**

The ornamental design for a belt buckle, as shown and described.

DESCRIPTION

- 1. Belt buckle
- 1.1 : Perspective
- 1.2 : Front
- 1.3 : Back
- 1.4 : Right
- 1.5 : Left
- 1.6 : Top
- 1.7 : Bottom

1 Claim, 7 Drawing Sheets



(56)

References Cited

U.S. PATENT DOCUMENTS

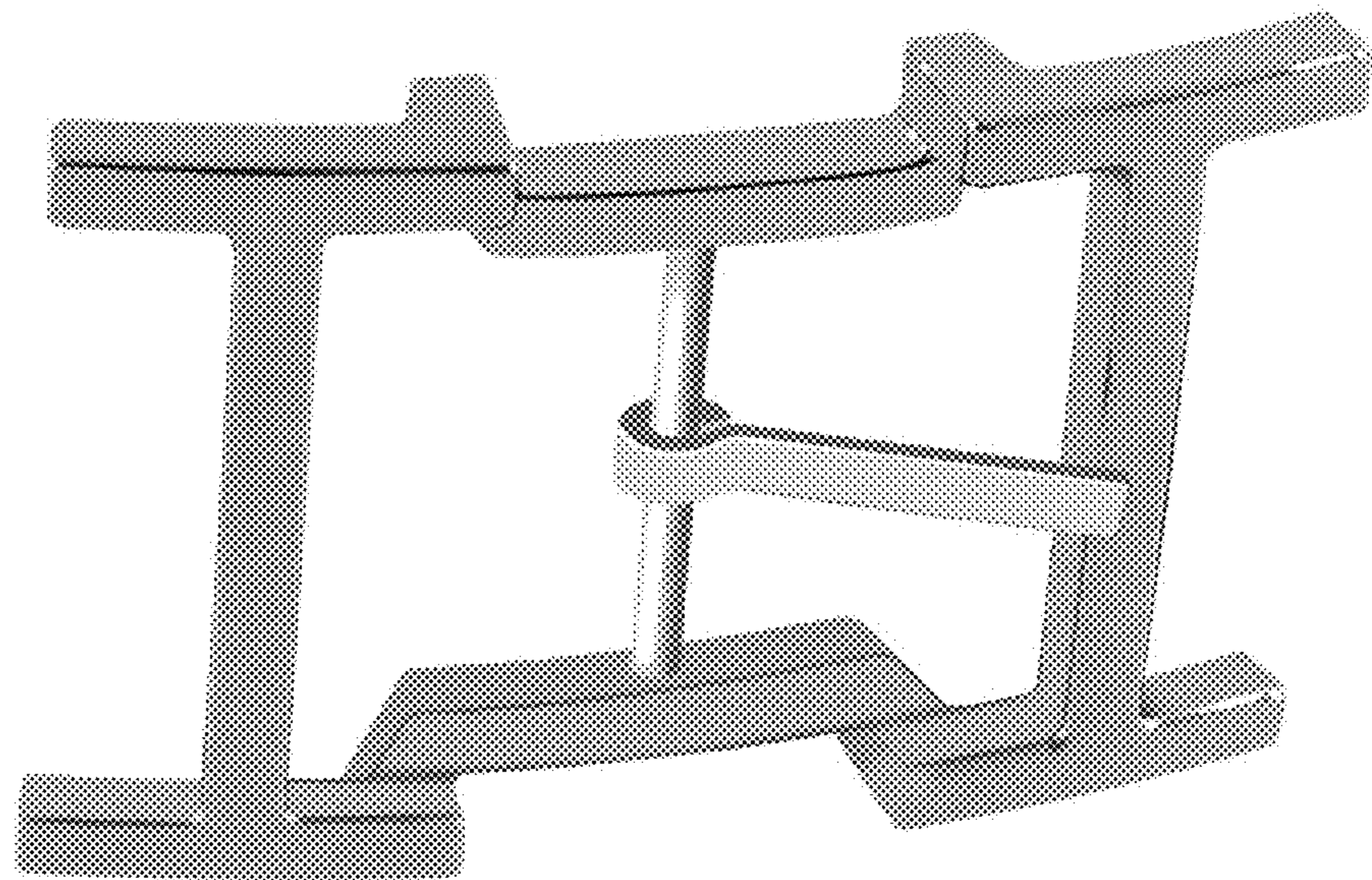
D915,937 S * 4/2021 Dumas D11/231
D915,939 S * 4/2021 Mouquet D11/231
11,219,259 B2 * 1/2022 Bassetto A44B 11/22

OTHER PUBLICATIONS

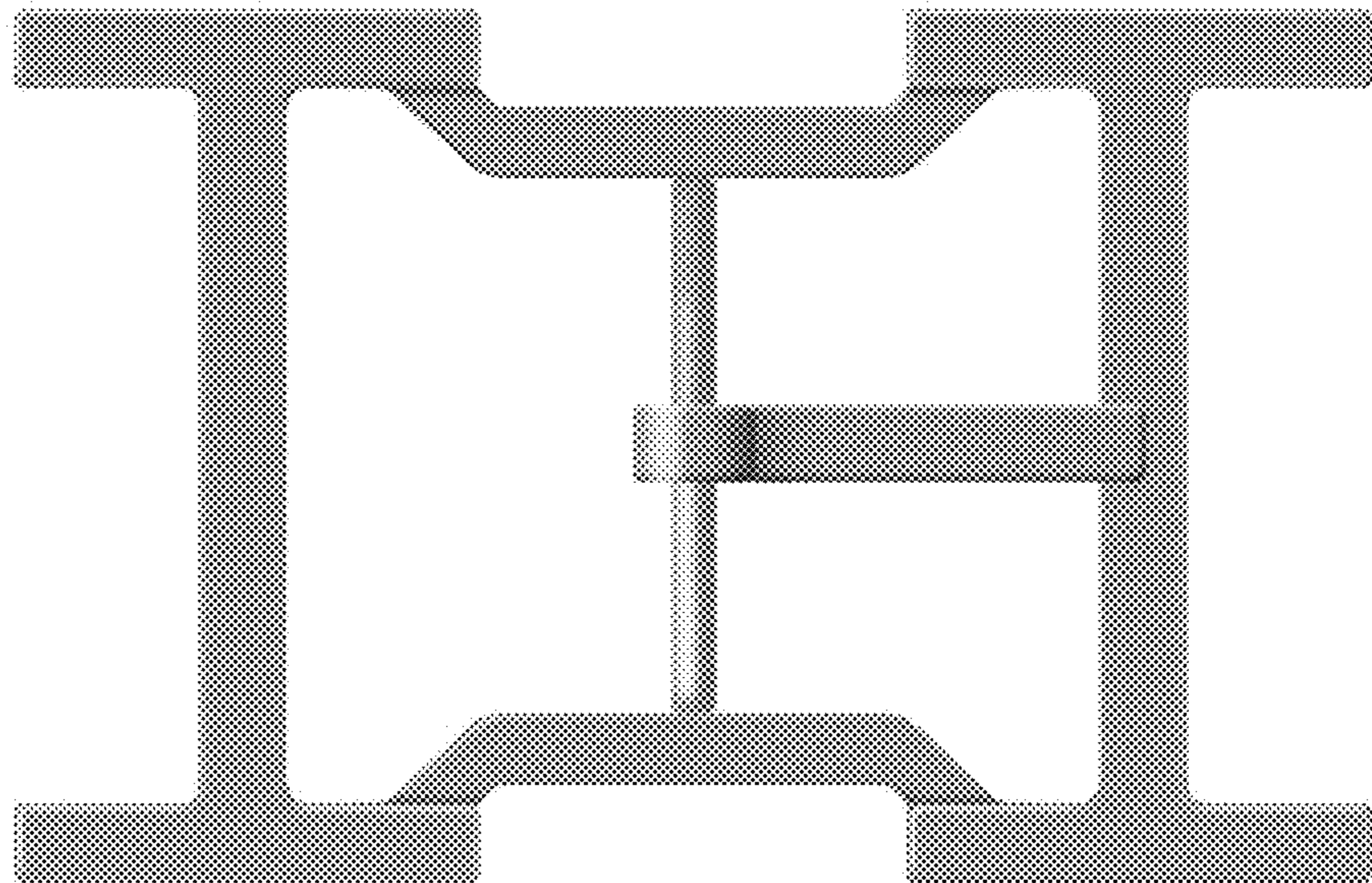
¾" Center Bar Single Prong Rectangular Belt Buckle, <https://www.walmart.com/ip/3-4-Center-Bar-Single-Prong-Rectangular-Belt-Buckle/452576697>, copyright 2022. (Year: 2022).*

* cited by examiner

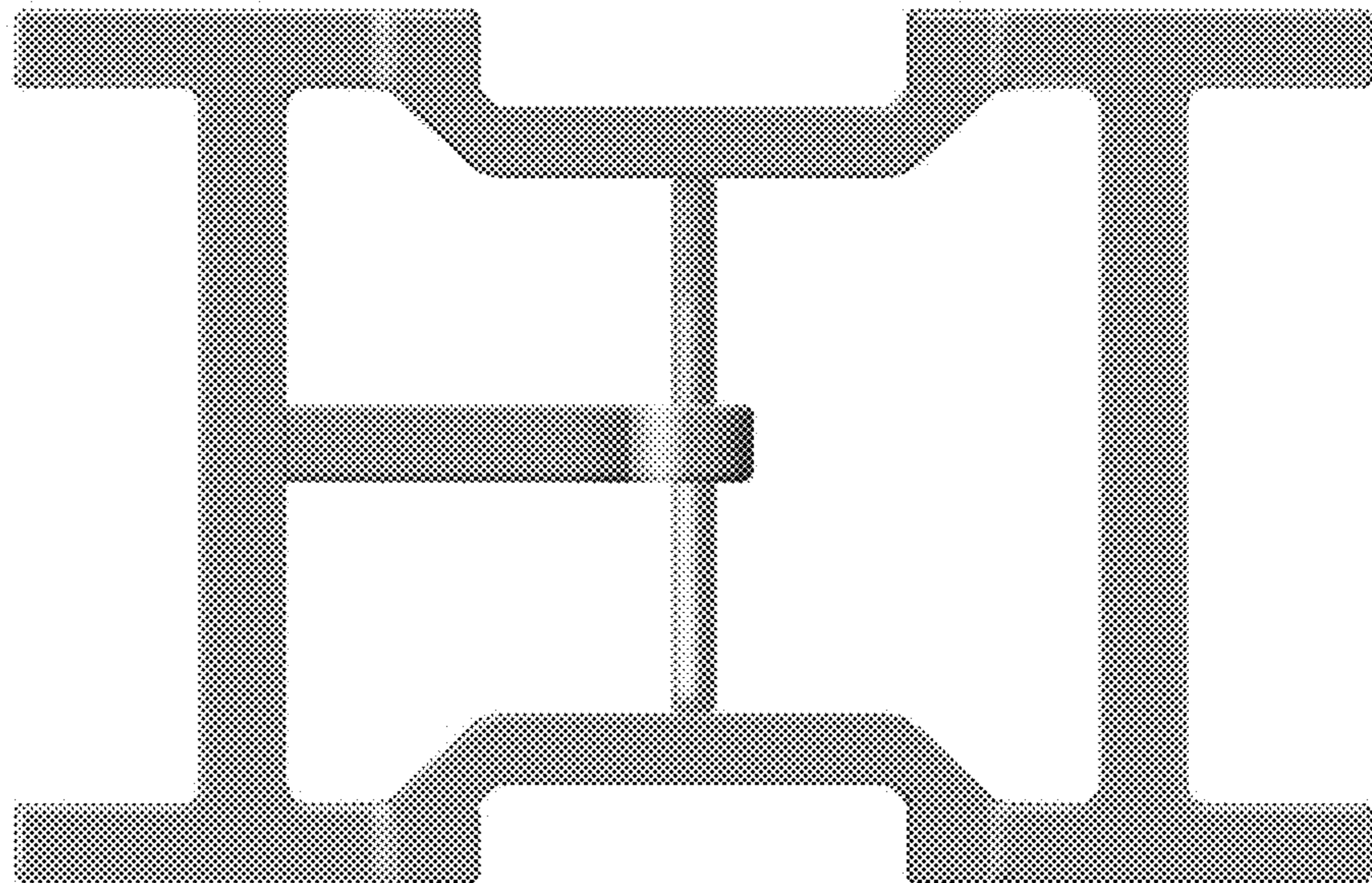
1.1



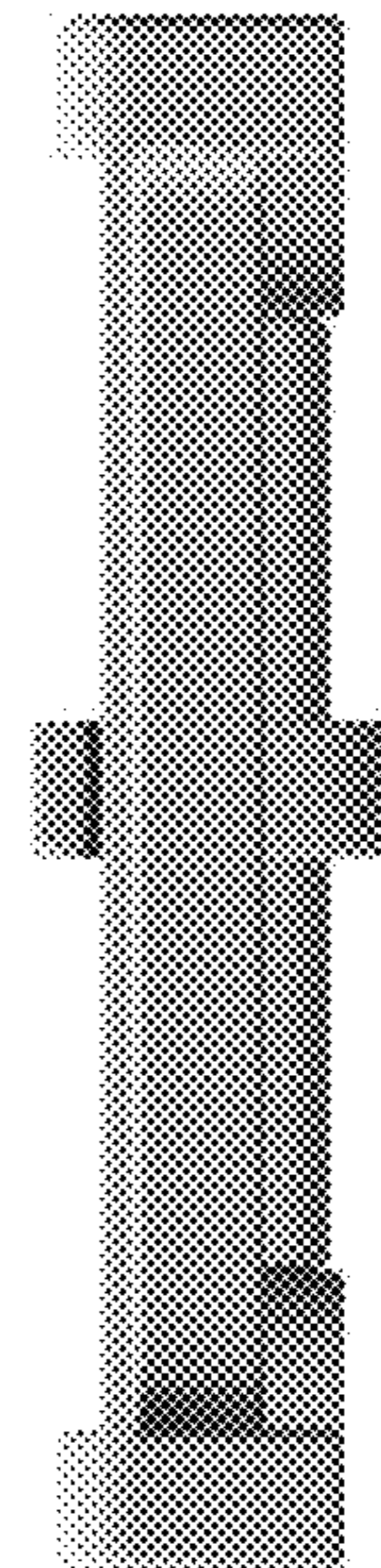
1.2



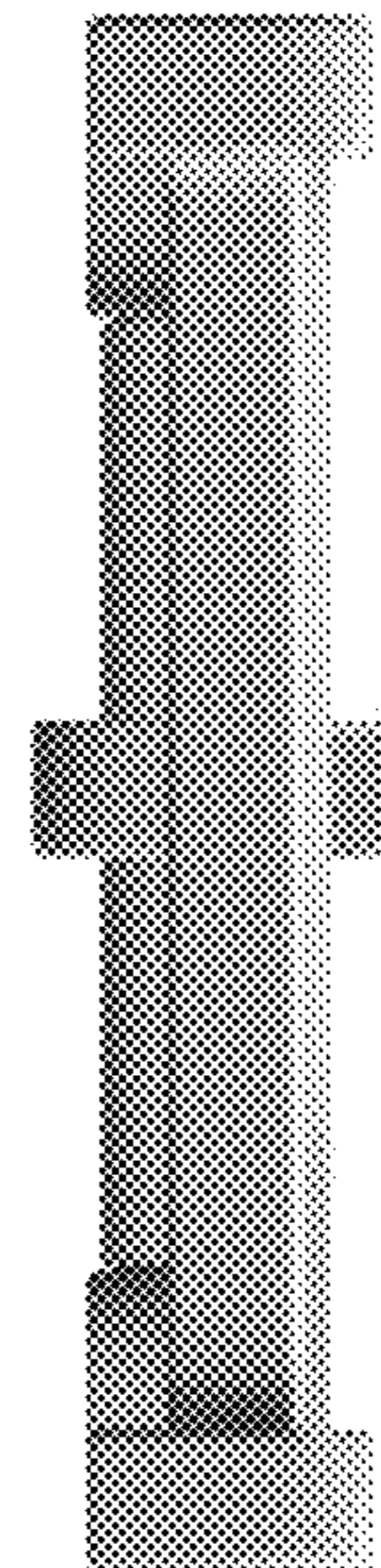
1.3



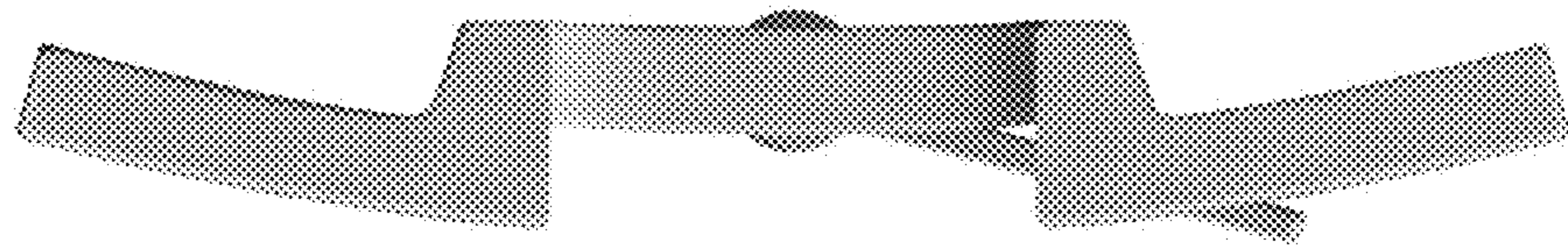
1.4



1.5



1.6



1.7

