



US00D970383S

(12) **United States Design Patent** (10) **Patent No.:** **US D970,383 S**
Lin (45) **Date of Patent:** **** Nov. 22, 2022**

(54) **WATCHBAND**
(71) Applicant: **Yiran Lin**, Shenzhen (CN)
(72) Inventor: **Yiran Lin**, Shenzhen (CN)
(**) Term: **15 Years**
(21) Appl. No.: **29/848,224**
(22) Filed: **Aug. 1, 2022**
(51) **LOC (13) Cl.** **11-01**
(52) **U.S. Cl.**
USPC **D11/3**
(58) **Field of Classification Search**
USPC D11/1–25, 86, 93, 94; D10/30–39, 70,
D10/46; D24/186, 167; D14/344;
D2/627, 635
CPC G04B 37/1486; G04B 37/16; G04B 37/18;
A44C 5/14; A44C 5/0053; A44C 5/0069;
A44C 5/0076; A44C 5/00; A44C 5/0007;
A44C 5/0015; A44C 5/0023; A44C
5/003; A44C 5/0061; A44C 5/12; A44C
5/147; A44C 5/18; A44C 5/185
See application file for complete search history.

(56) **References Cited**

U.S. PATENT DOCUMENTS

D729,681 S * 5/2015 Lee D14/344
D736,652 S * 8/2015 Isaacs D14/344
D738,772 S * 9/2015 Choi D11/3
D756,832 S * 5/2016 Riddiford D14/344
D758,234 S * 6/2016 Riddiford D14/344
D759,622 S * 6/2016 Dahlberg D14/344
D767,436 S * 9/2016 Goodner D11/3
D768,528 S * 10/2016 Jung D11/3
D768,529 S * 10/2016 Jung D11/3
D770,321 S * 11/2016 Murphy D14/344
D771,504 S * 11/2016 Lai D10/30
D780,602 S * 3/2017 Heleniak D10/38
D793,269 S * 8/2017 Magniez D11/3

D795,120 S * 8/2017 Bayley D11/3
D795,731 S * 8/2017 Bayley D11/3
D798,744 S * 10/2017 Wright A45C 13/008
D10/30
D799,344 S * 10/2017 Wright D10/30
D809,414 S * 2/2018 Komulainen D11/3
D813,074 S * 3/2018 Bayley D11/3
D831,521 S * 10/2018 Hodge D11/3
D848,893 S * 5/2019 Yu D11/3
D854,960 S * 7/2019 Yu D11/3
D864,011 S * 10/2019 Moon D10/104.2
D879,645 S 3/2020 Lin
D897,867 S * 10/2020 Wright D10/32
D909,904 S 2/2021 Koyama
D921,516 S 6/2021 Ouyang
D950,317 S * 5/2022 Lu D7/510
D957,281 S * 7/2022 Huang D10/132
D959,993 S * 8/2022 Qin D10/32
2014/0083133 A1 * 3/2014 Lee A44C 5/14
63/3.1

(Continued)

Primary Examiner — Melanie Pellegrini
(74) *Attorney, Agent, or Firm* — Rumit Ranjit Kanakia

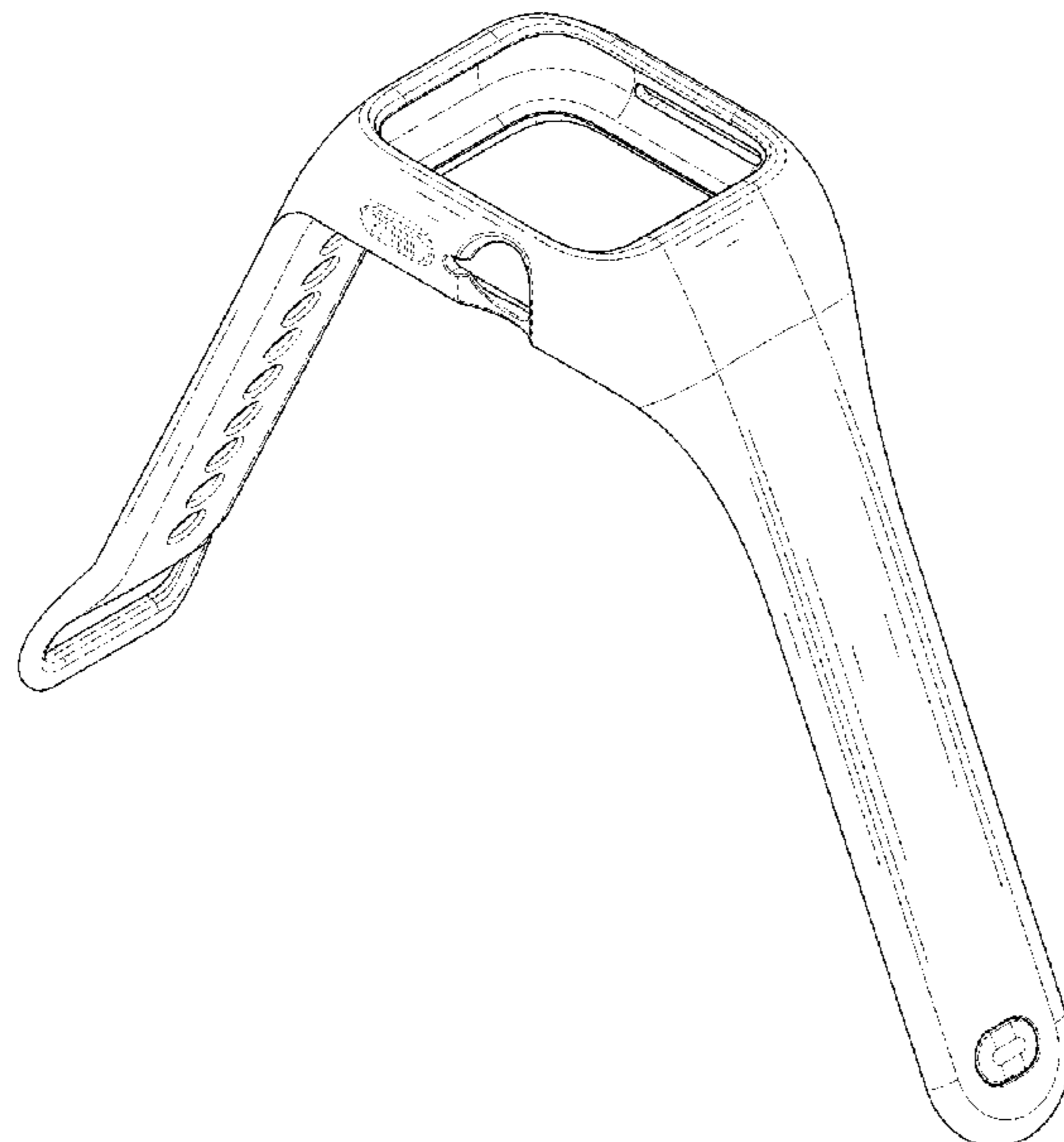
(57) **CLAIM**

The ornamental design for a watchband, as shown and described.

DESCRIPTION

FIG. 1 is a first perspective view of a watchband showing my new design;
FIG. 2 is a second perspective view thereof;
FIG. 3 is a front view thereof;
FIG. 4 is a back view thereof;
FIG. 5 is a left side view thereof;
FIG. 6 is a right side view thereof;
FIG. 7 is a top view thereof; and,
FIG. 8 is a bottom view thereof.
The broken lines shown in the drawings depict portions of the watchband that form no part of the claimed design.

1 Claim, 8 Drawing Sheets



(56)

References Cited

U.S. PATENT DOCUMENTS

2016/0299571 A1* 10/2016 Watorowski G06F 3/014

* cited by examiner

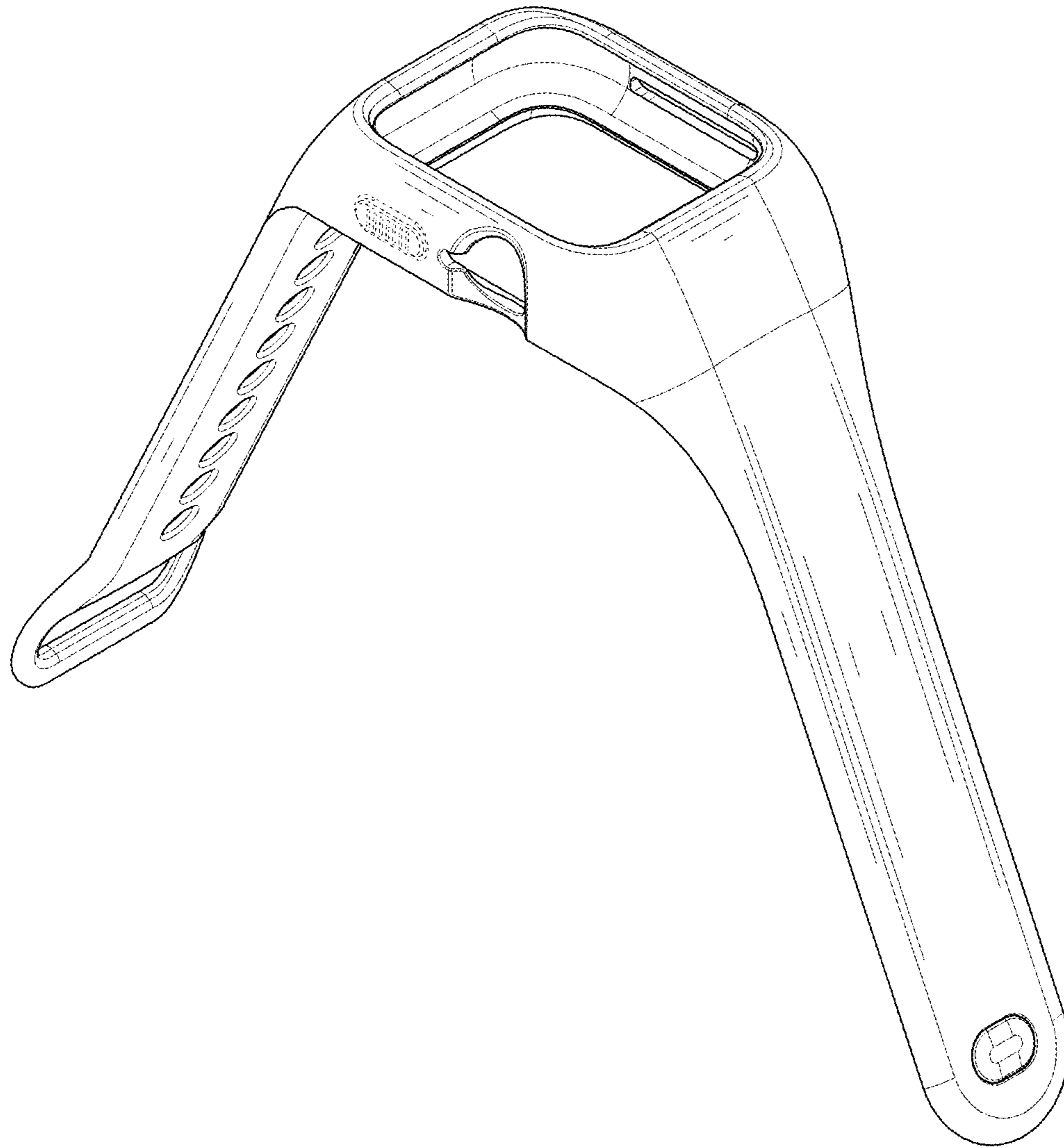


FIG. 1

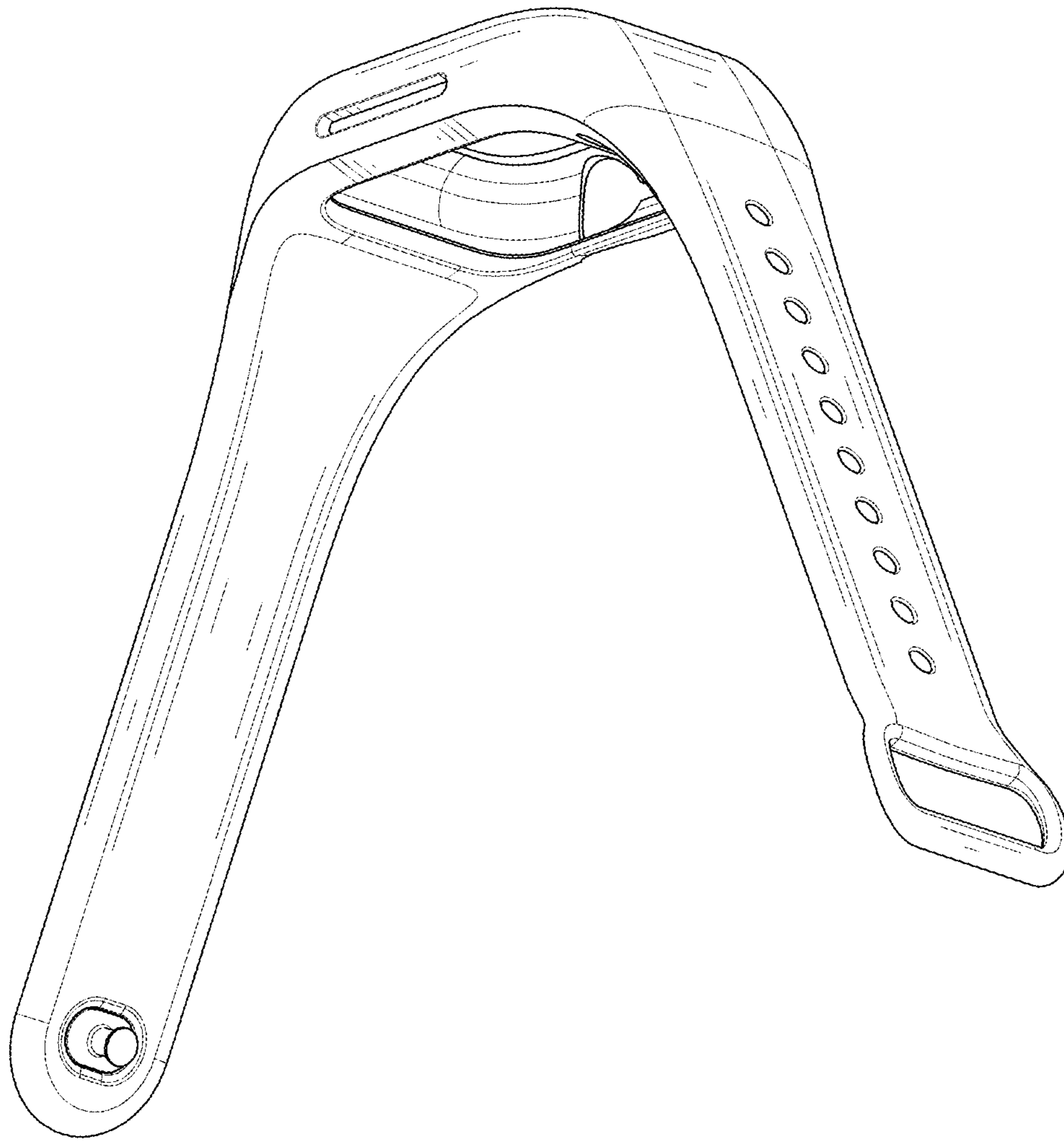


FIG. 2

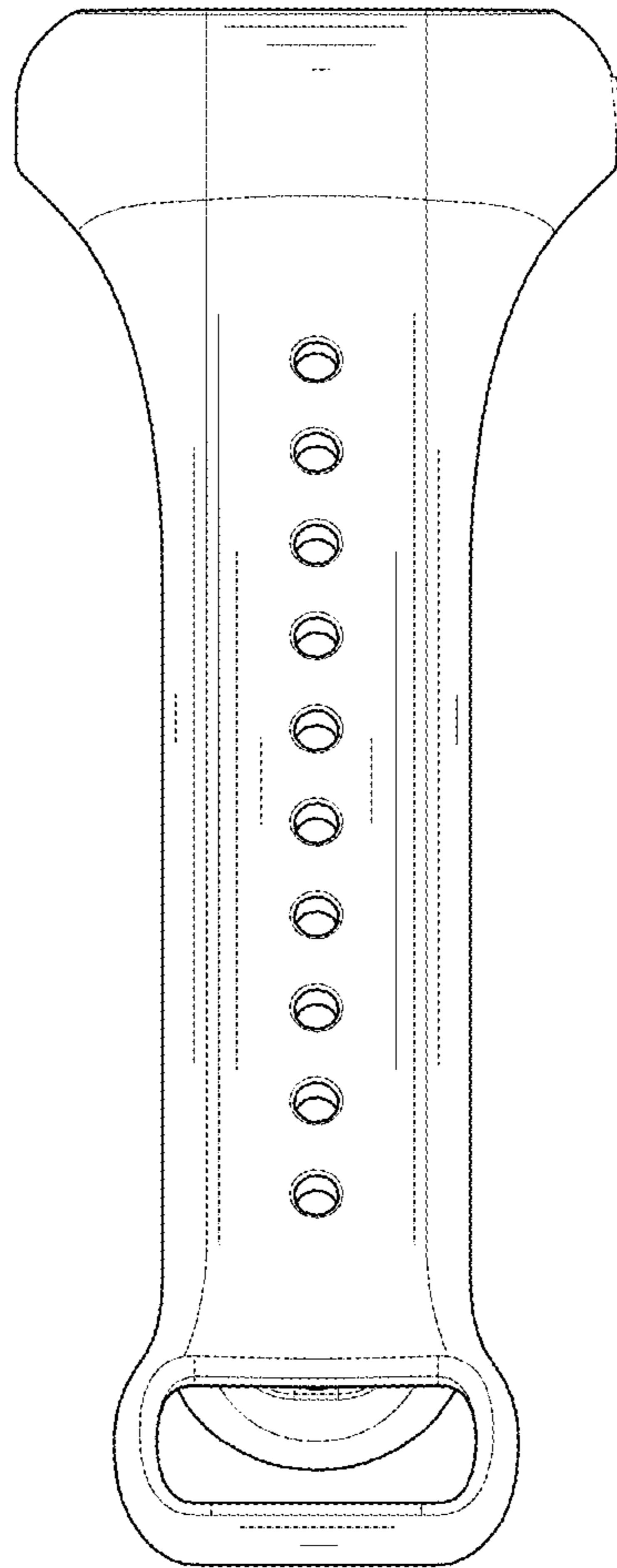


FIG. 3

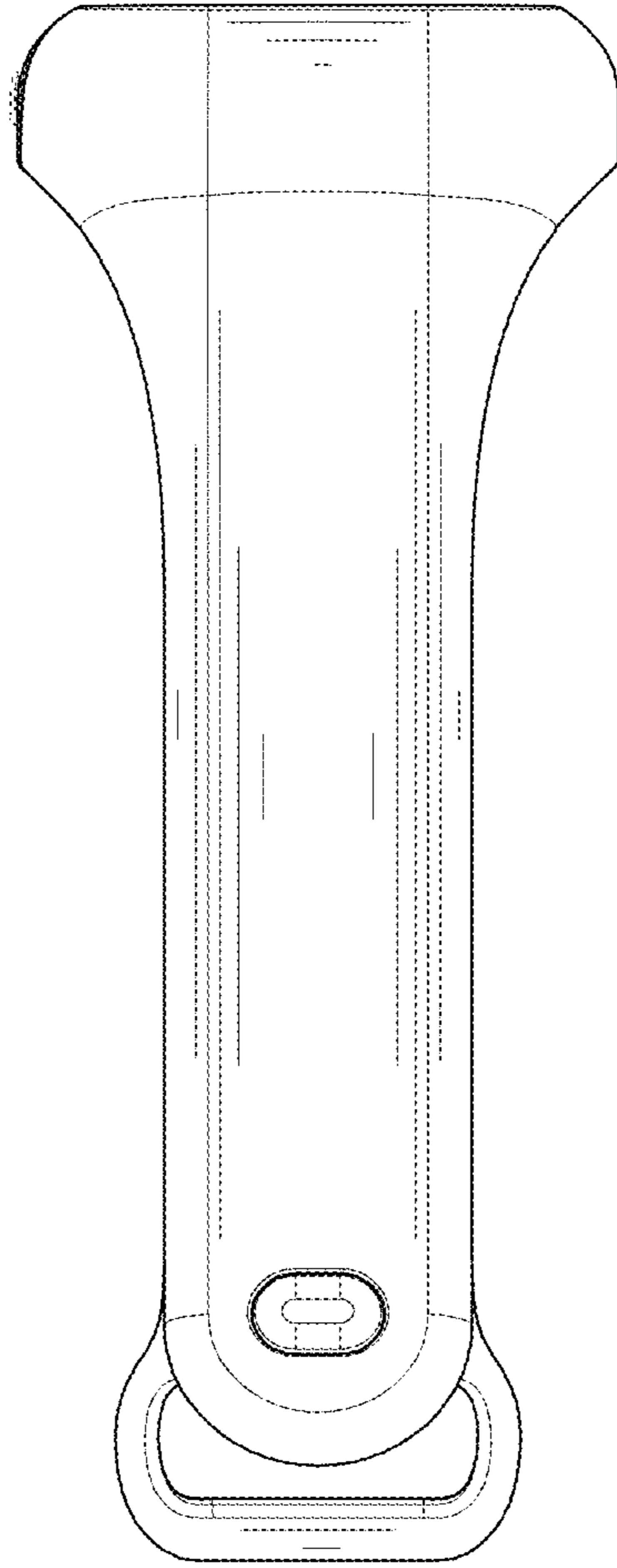


FIG. 4

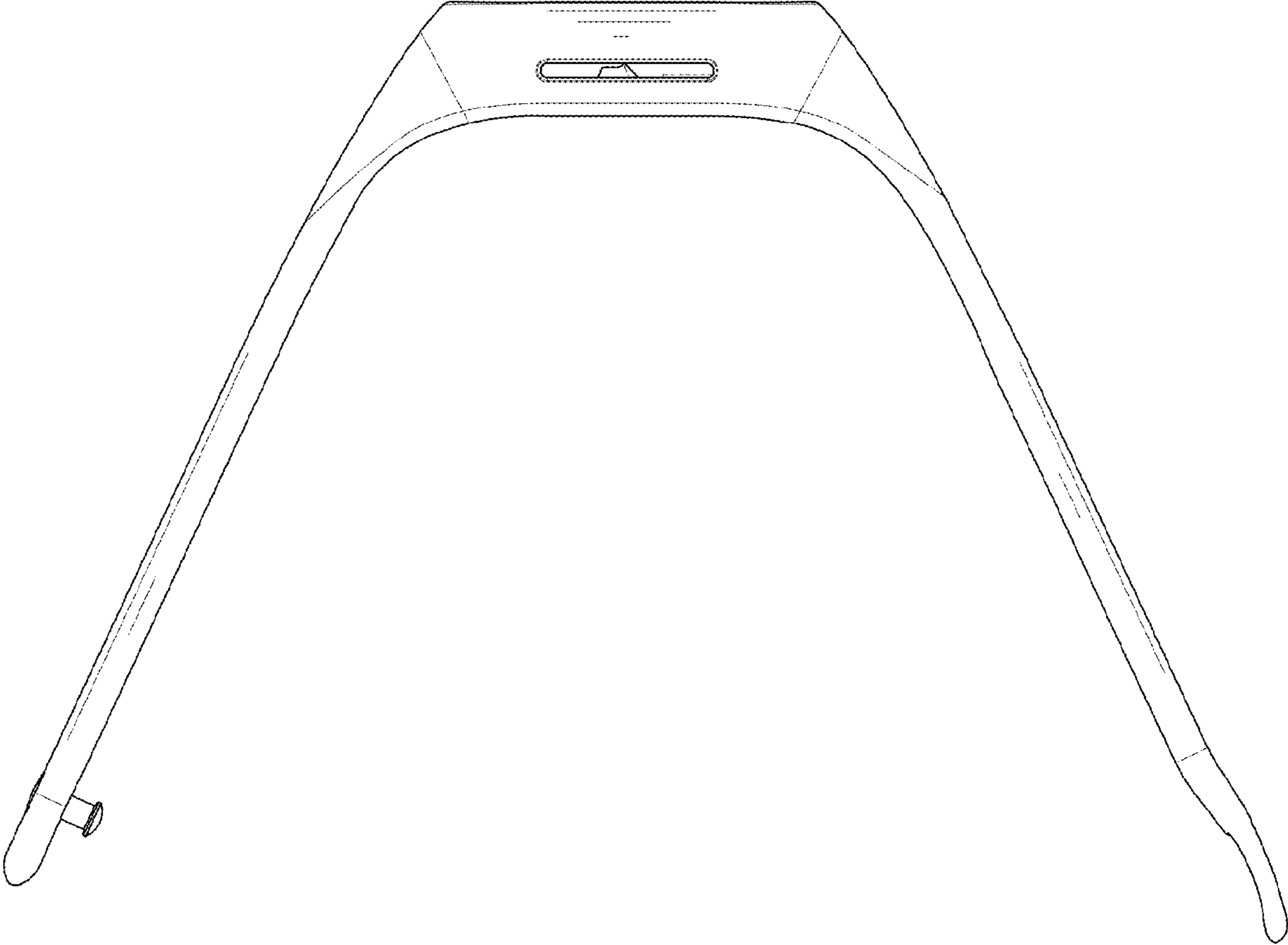


FIG. 5

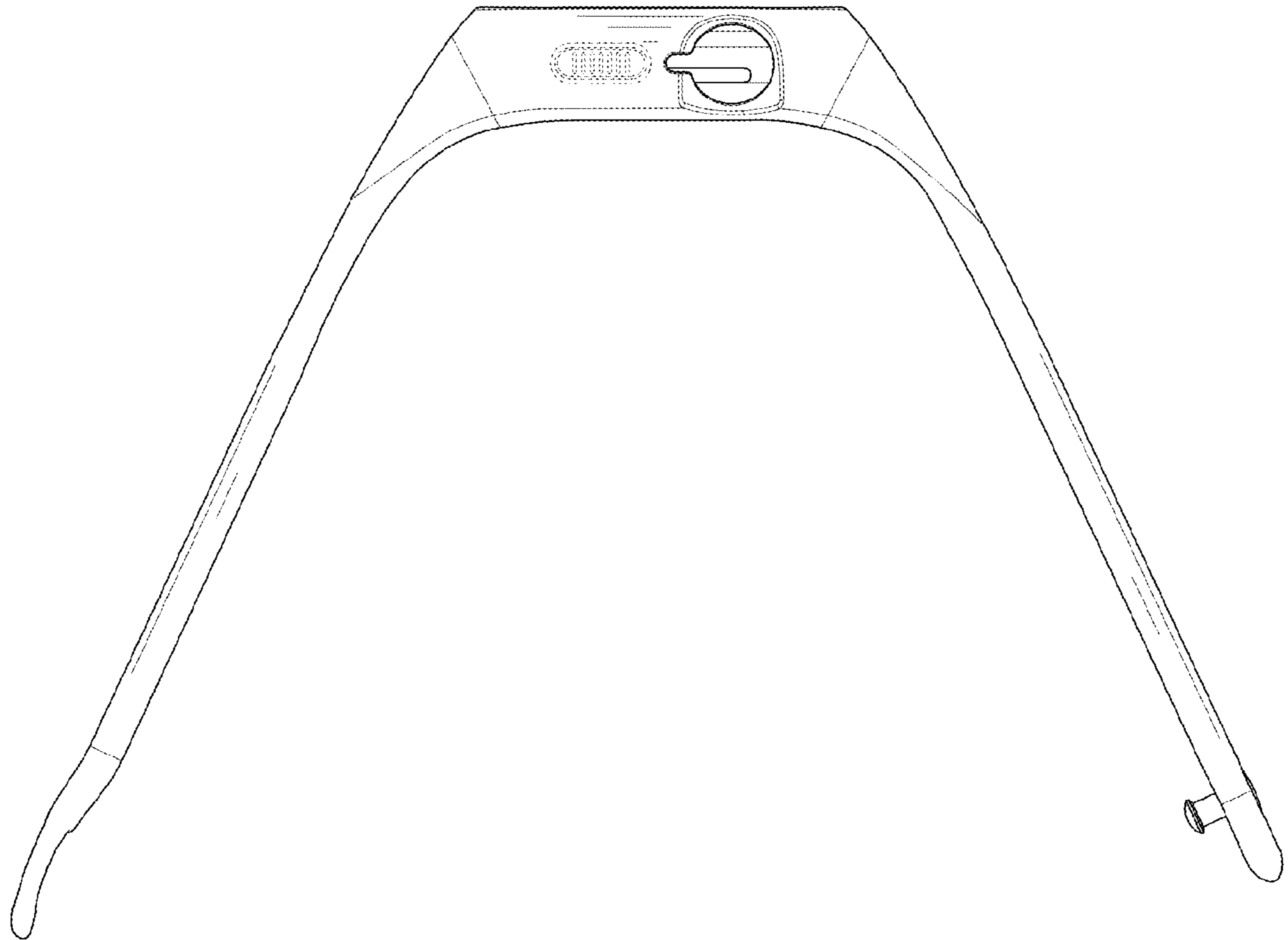


FIG. 6

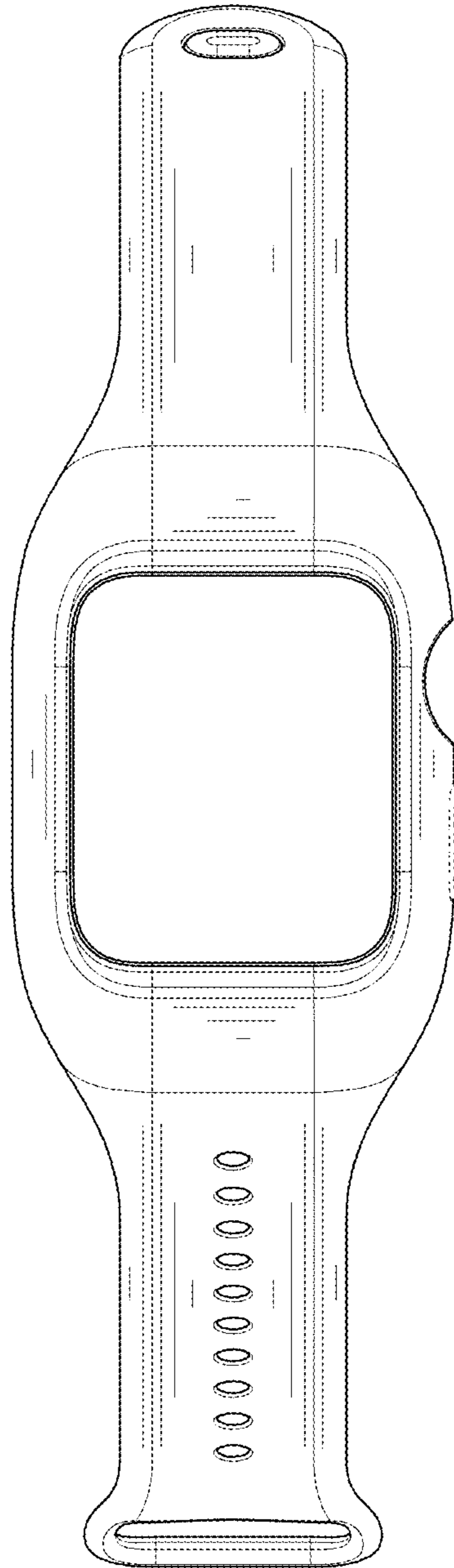


FIG. 7

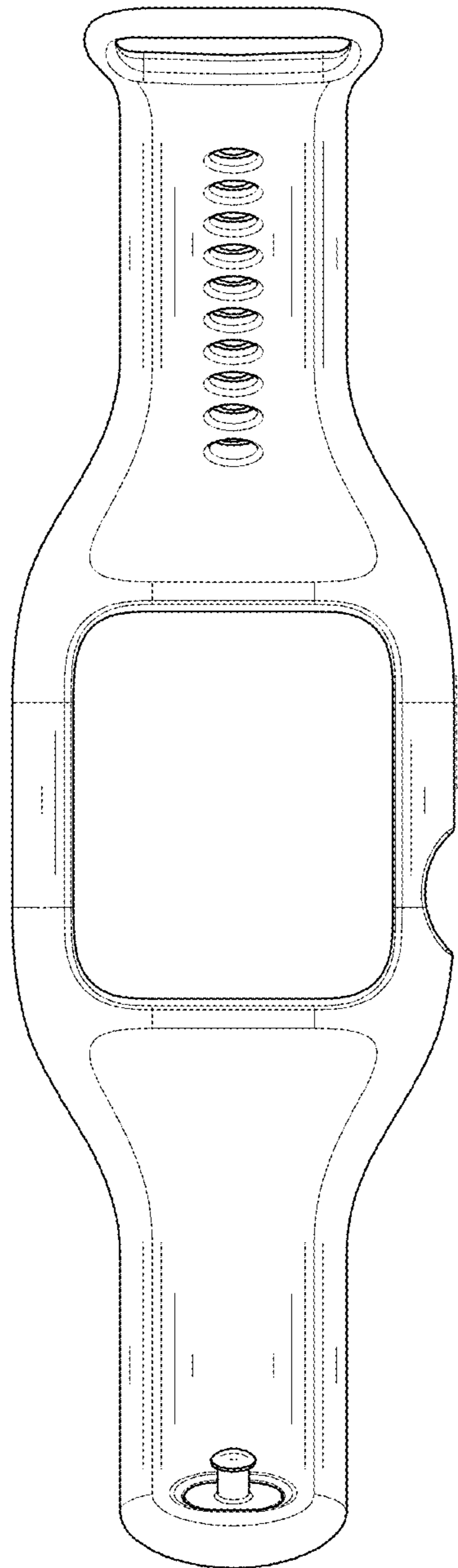


FIG. 8