



US00D970382S

(12) **United States Design Patent** (10) **Patent No.:** **US D970,382 S**
Wu (45) **Date of Patent:** **** Nov. 22, 2022**

(54) **SILICONE MAGNETIC BAND**

(71) Applicant: **Qi Wu**, Loudi (CN)

(72) Inventor: **Qi Wu**, Loudi (CN)

(**) Term: **15 Years**

(21) Appl. No.: **29/847,495**

(22) Filed: **Jul. 25, 2022**

(51) **LOC (13) Cl.** **11-01**

(52) **U.S. Cl.**
USPC **D11/3**

(58) **Field of Classification Search**
USPC D11/1-25, 86, 93, 94; D10/30-39, 70,
D10/46; D24/186, 167; D14/344;
D2/627, 635
CPC G04B 37/1486; G04B 37/16; G04B 37/18;
A44C 5/14; A44C 5/0053; A44C 5/0069;
A44C 5/0076; A44C 5/00; A44C 5/0007;
A44C 5/0015; A44C 5/0023; A44C
5/003; A44C 5/0061; A44C 5/12; A44C
5/147; A44C 5/18; A44C 5/185
See application file for complete search history.

(56) **References Cited**

U.S. PATENT DOCUMENTS

- 1,738,407 A * 12/1929 Tost A44C 5/02
59/80
- 1,764,440 A * 6/1930 Gammell A44C 5/22
24/68 J
- 3,372,500 A * 3/1968 Claude G09F 3/005
63/3
- 3,550,824 A * 12/1970 Bohanski F21V 21/08
D11/20
- 3,740,804 A * 6/1973 Levinger A44C 5/14
24/265 B
- D249,244 S * 9/1978 Salter D10/38
- D250,634 S * 12/1978 Porsche D10/39

- D254,845 S * 4/1980 Young D11/19
- D256,568 S * 8/1980 Young D11/25
- D256,569 S * 8/1980 Young D11/25
- D260,977 S * 9/1981 Rimmeler D11/4
- D284,948 S * 8/1986 Ogawa D10/34
- D287,705 S * 1/1987 Malamoud D11/25
- D289,381 S * 4/1987 Schneider D10/32
- D308,852 S * 6/1990 Wakamatsu D11/5
- D310,334 S * 9/1990 Jahan D10/32
- D323,994 S * 2/1992 Tanikawa D10/126
- D408,301 S * 4/1999 Porsche D10/128
- 6,101,842 A * 8/2000 Delacretaz A44C 5/107
63/3.1
- D459,674 S * 7/2002 Razza D11/39
- D488,392 S * 4/2004 Tschumi D10/32
- D575,656 S * 8/2008 Scholpp D11/3
- D583,682 S * 12/2008 Blank D10/32
- D727,199 S * 4/2015 Akana D11/3
- D731,346 S * 6/2015 Akana D11/3
- D737,156 S * 8/2015 Akana D10/70
- D745,421 S * 12/2015 Akana D10/70
- D751,070 S * 3/2016 Akana D14/344
- D761,793 S * 7/2016 Akana D10/70
- D782,335 S * 3/2017 White D10/32

(Continued)

Primary Examiner — Melanie Pellegrini
(74) *Attorney, Agent, or Firm* — Justin Lampel

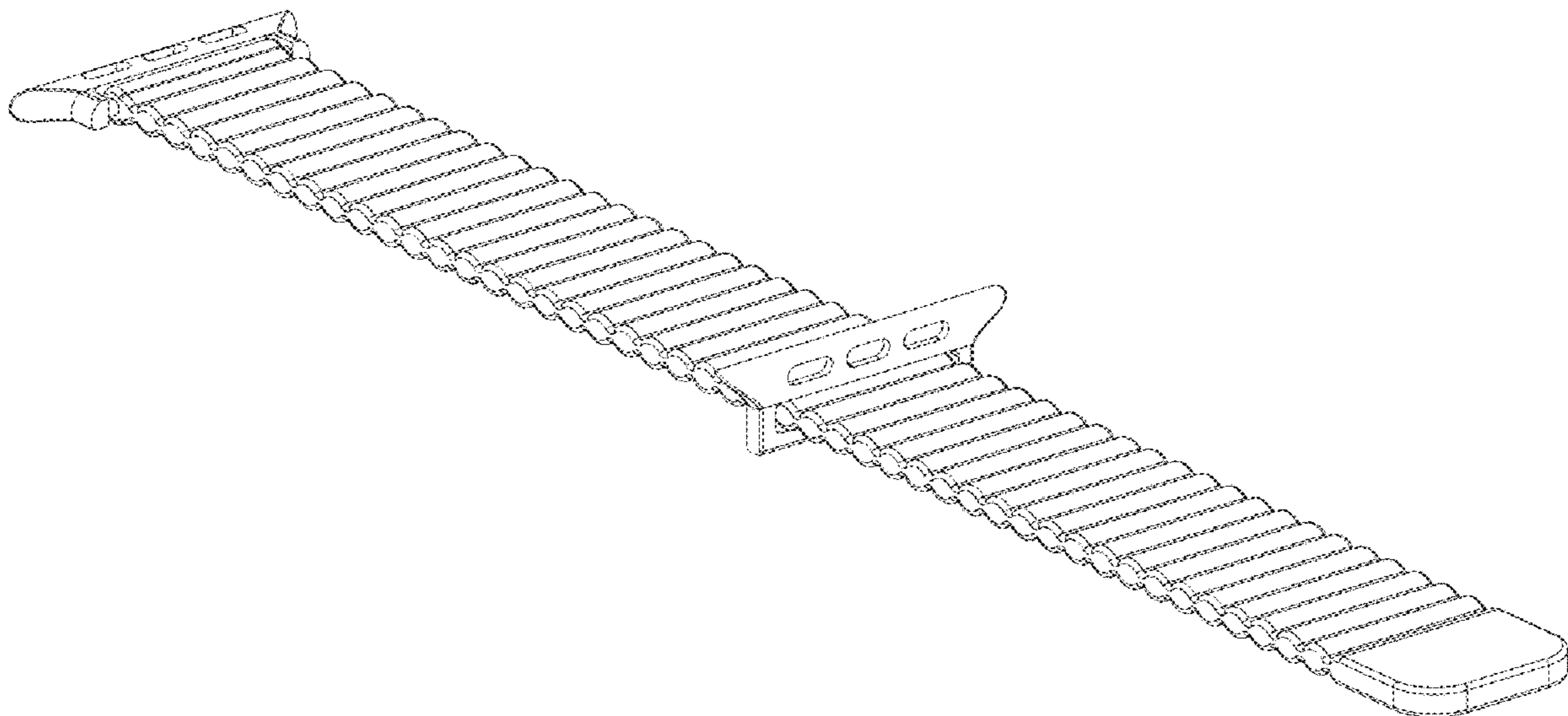
(57) **CLAIM**

The ornamental design for a silicone magnetic band, as shown and described.

DESCRIPTION

FIG. 1 is a perspective view of a silicone magnetic band showing the claimed design;
FIG. 2 is a top plan view thereof;
FIG. 3 is a rear elevational view thereof;
FIG. 4 is a left side view thereof;
FIG. 5 is a front elevational view thereof;
FIG. 6 is a right side view thereof; and,
FIG. 7 is a bottom plan view thereof.

1 Claim, 7 Drawing Sheets



(56)

References Cited

U.S. PATENT DOCUMENTS

D784,326 S * 4/2017 Akana D14/344
D813,705 S * 3/2018 Ferguson D11/19
D820,140 S * 6/2018 Register D11/3
D853,881 S * 7/2019 Akana D11/3
D862,461 S 10/2019 Zhang
D879,628 S * 3/2020 Akana D10/70
D880,338 S * 4/2020 Akana D11/3
D929,884 S * 9/2021 Yi D11/3
D932,332 S * 10/2021 Akana D11/3
D948,358 S * 4/2022 Akana D10/70
D954,586 S * 6/2022 Huang D10/32
2005/0210857 A1 * 9/2005 Carrola A44C 17/0258
59/80
2014/0096345 A1 * 4/2014 Tschumi G04B 37/1486
24/265 B

* cited by examiner

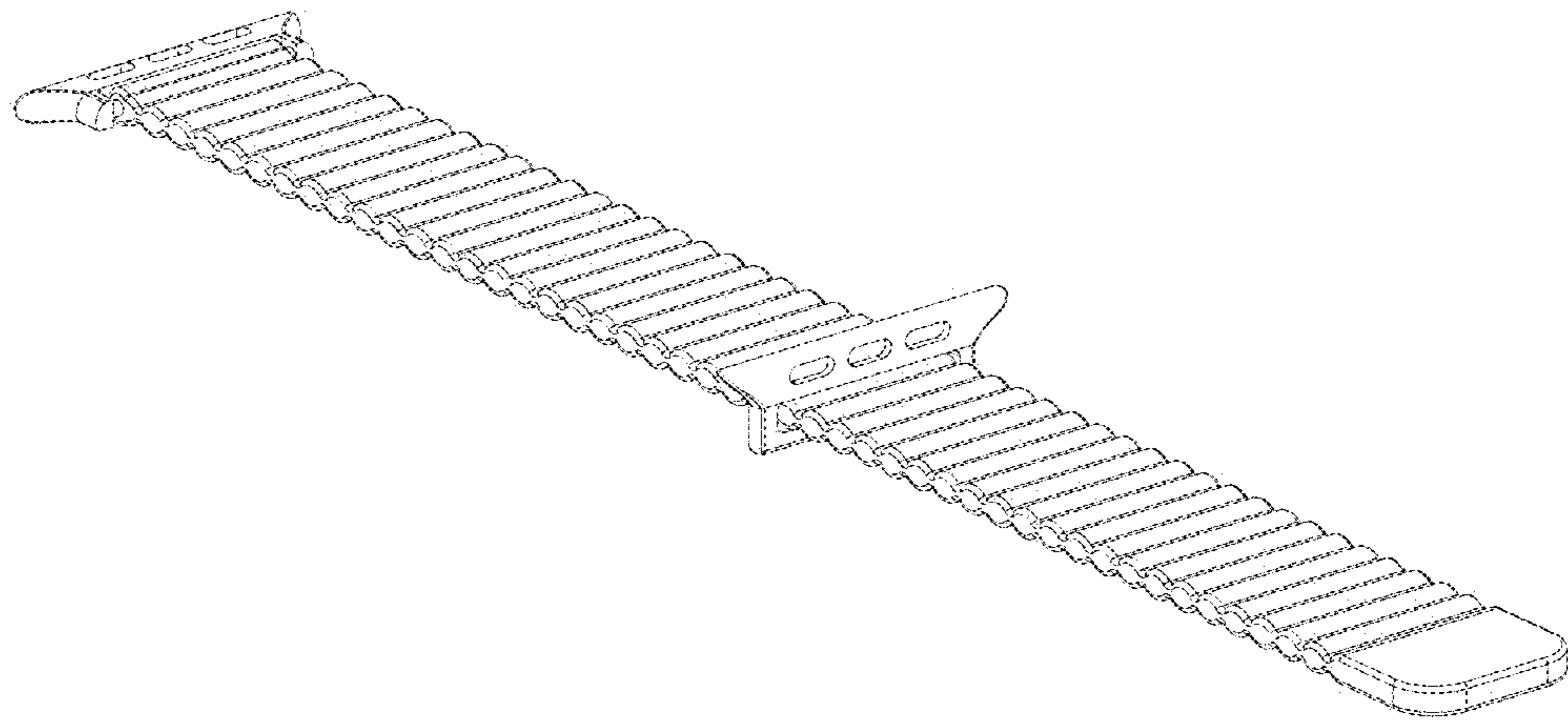


FIG.1

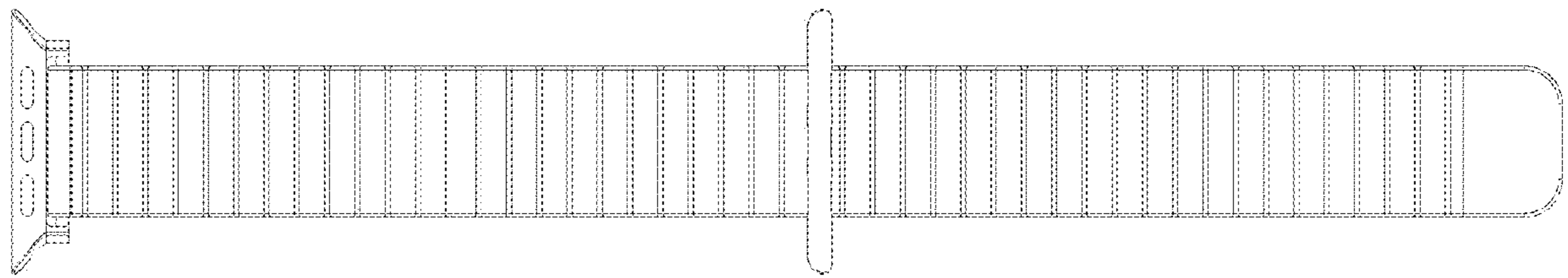


FIG.2

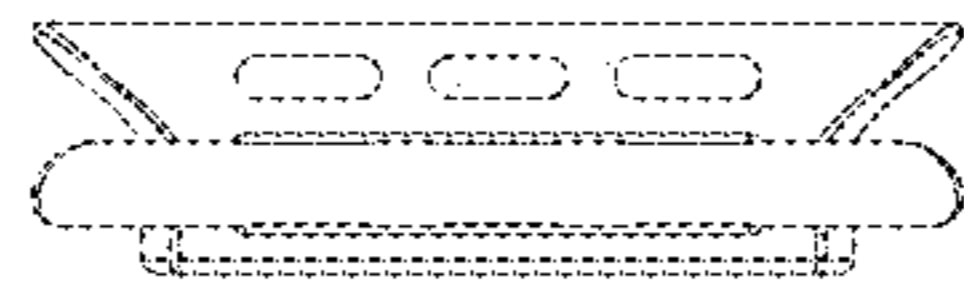


FIG.3

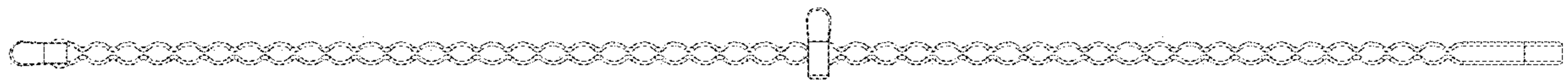


FIG.4

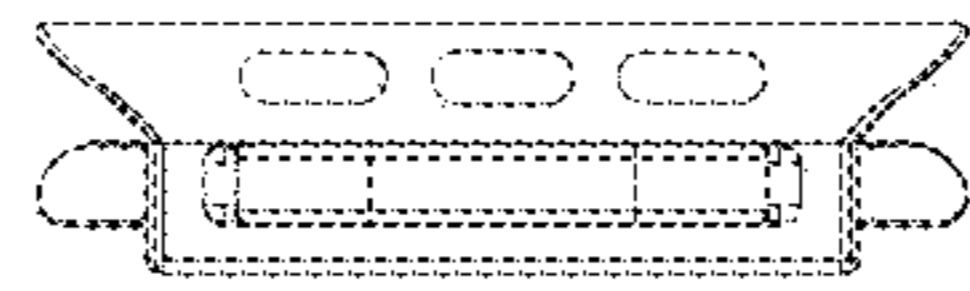


FIG.5

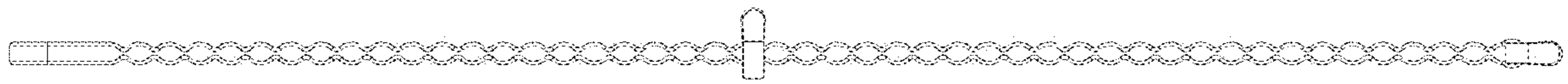


FIG.6

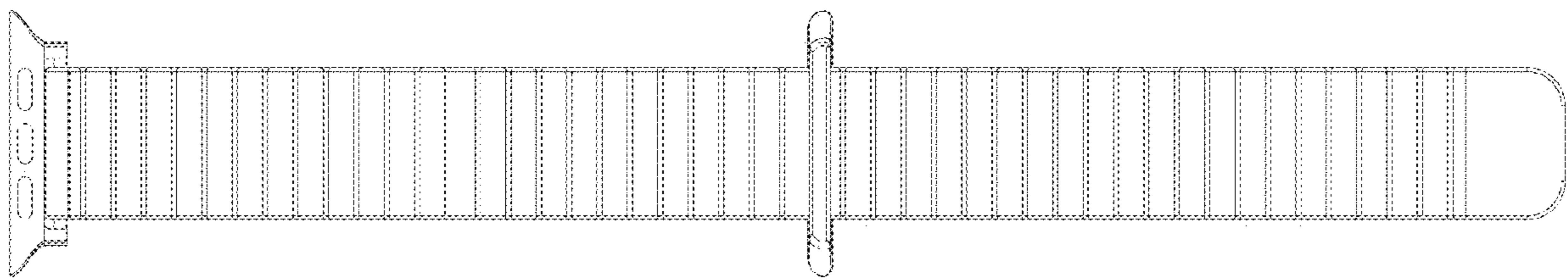


FIG. 7