



US00D970381S

(12) **United States Design Patent** (10) **Patent No.:** **US D970,381 S**
Tian (45) **Date of Patent:** **** Nov. 22, 2022**

(54) **WATCHBAND**

FOREIGN PATENT DOCUMENTS

(71) Applicant: **Heling Tian**, Jiangxi (CN)

CN 306372991 * 3/2021
CN 306984007 * 12/2021

(72) Inventor: **Heling Tian**, Jiangxi (CN)

(Continued)

(**) Term: **15 Years**

OTHER PUBLICATIONS

(21) Appl. No.: **29/814,741**

Seizehe [online] URL: <https://www.amazon.com/Seizehe-Compatible-Breathable-Hollowed-Out-Replacement/dp/B09NFSHXDB> (site visited: Aug. 18, 2021) (Year: 2021).*

(22) Filed: **Nov. 9, 2021**

(51) **LOC (13) Cl.** **11-01**

(Continued)

(52) **U.S. Cl.**

USPC **D11/3; D10/32**

(58) **Field of Classification Search**

USPC D11/1-25, 86, 87, 93, 94, 234, 235, 231;
224/164, 175; 600/301; D10/30-39, 70,
D10/46; 368/282, 285; D14/344;
D24/167, 186, 187

CPC G04B 37/1486; G04B 37/16; G04B 37/18;
G04B 37/00; A44C 5/14; A44C 5/0053;
A44C 5/0069; A44C 5/0076; A44C 5/00;
A44C 5/0007; A44C 5/0015; A44C
5/0023; A44C 5/003; A44C 5/0061; A44C
5/12; A44C 5/147; A44C 5/18; A44C
5/185; A44C 5/2047; A44C 5/2052; A44B
11/006; A44B 11/24

See application file for complete search history.

Primary Examiner — Jae Liang

Assistant Examiner — Tia Ruth-Renee Polidori

(57) **CLAIM**

The ornamental design for a watchband, as shown and described.

DESCRIPTION

FIG. 1 is a front and top perspective view of a watchband, showing my new design;
FIG. 2 is a rear and bottom perspective view thereof;
FIG. 3 is a front elevation view thereof;
FIG. 4 is a rear elevation view thereof;
FIG. 5 is a left side elevation view thereof;
FIG. 6 is a right side elevation view thereof;
FIG. 7 is a top plan view thereof;
FIG. 8 is a bottom plan view thereof;
FIG. 9 is an enlarged view of a portion labeled, 'FIG. 9' in FIG. 1; and,
FIG. 10 is an enlarged view of a portion labeled, 'FIG. 10' in FIG. 2.

The broken lines in the figures illustrate portions of the watchband that form no part of the claimed design. The dash dot dash lines in FIGS. 1, 2, 9 and 10 are for the purpose of depicting the boundary lines of the enlarged views and form no part of the claimed design.

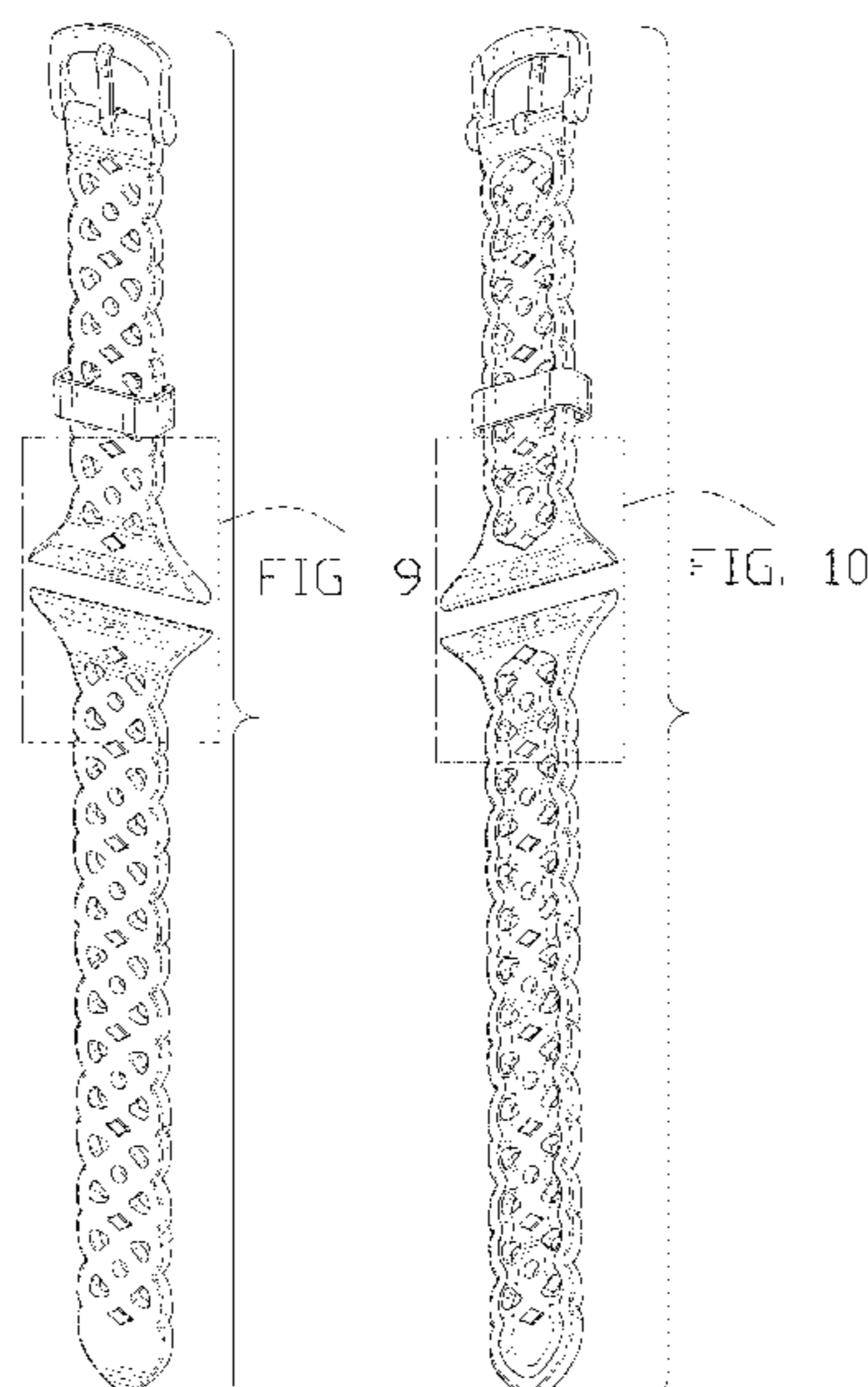
(56) **References Cited**

U.S. PATENT DOCUMENTS

757,772 A * 4/1904 Rodenberg A44C 5/08
D11/19
1,629,339 A * 5/1927 Hankinson A44C 5/0053
D10/32
D205,153 S * 6/1966 Cowan D11/94
D303,635 S * 9/1989 Kurzina D10/39
D349,257 S * 8/1994 Polenberg D11/3
D390,476 S * 2/1998 Brzezinski D10/32
5,713,218 A * 2/1998 McCabe A44C 5/0053
63/3.1

(Continued)

1 Claim, 10 Drawing Sheets



(56)

References Cited

U.S. PATENT DOCUMENTS

D411,129 S * 6/1999 Chaney D11/3
 D491,818 S * 6/2004 Chodat D10/32
 D596,979 S * 7/2009 Fitzgerald D11/6
 D624,451 S * 9/2010 Bergman D11/91
 D779,364 S * 2/2017 Mille D11/18
 D828,833 S * 9/2018 Zhang D14/344
 D836,477 S * 12/2018 Peng D11/3
 D840,860 S * 2/2019 Zhang D11/3
 D858,518 S * 9/2019 Riot D14/344
 D864,012 S * 10/2019 Chen D11/3
 D879,645 S * 3/2020 Lin D11/3
 D921,516 S * 6/2021 Ouyang
 D926,053 S * 7/2021 Soheili D14/344
 D938,849 S * 12/2021 Akana D11/3
 D955,257 S * 6/2022 Huang D11/3
 2013/0031935 A1 * 2/2013 Kellegan A44C 5/00
 63/1.12
 2017/0188669 A1 * 7/2017 Dukerschein A44B 11/20
 2021/0386162 A1 * 12/2021 Ford A44C 5/24

FOREIGN PATENT DOCUMENTS

CN 307141052 * 3/2022
 CN 307167739 * 3/2022

CN 307178930 * 3/2022
 CN 307220977 * 4/2022
 CN 307220996 * 4/2022
 CN 307221007 * 4/2022
 CN 307242829 * 4/2022
 CN 307300748 * 4/2022
 CN 307358957 * 5/2022
 CN 307368645 * 5/2022

OTHER PUBLICATIONS

YAXIN [online] URL: <https://www.amazon.com/YAXIN-Compatible-Hollow-Out-Wristband-Replacement/dp/B09MSZC277> (site visited: Aug. 18, 2021) (Year: 2021).*

Acrbiutu [online] URL: <https://www.amazon.com/dp/B0B2W33LLS> (site visited: Aug. 18, 2021) (Year: 2022).*

Butifacion [online] URL: <https://www.amazon.com/dp/B0B2JCKHHG> (site visited: Aug. 18, 2021) (Year: 2022).*

QRose [online] URL: <https://www.amazon.com/Compatible-Hollow-Out-Silicone-iWatch-Violet/dp/B09XQGW35T> (site visited: Aug. 18, 2021) (Year: 2022).*

VUTOT [online] URL: <https://www.amazon.com/VUTOT-Compatible-Hollowed-out-Replacement-Wristbands/dp/B09R1WXT7R> (site visited: Aug. 18, 2021) (Year: 2022).*

* cited by examiner

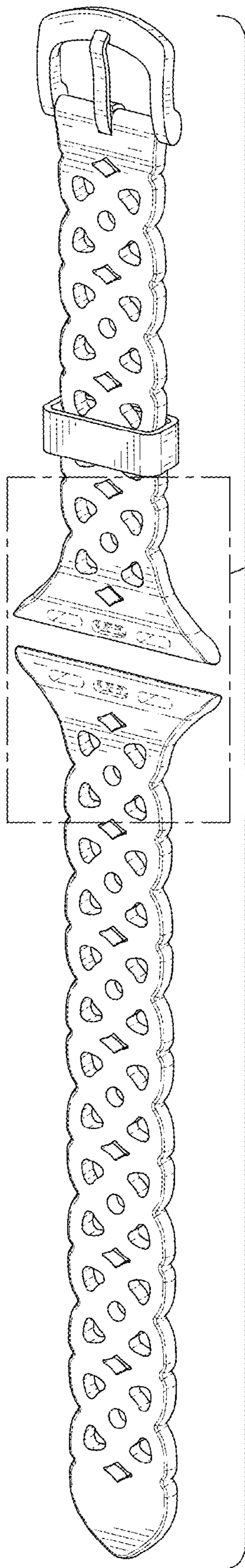


FIG. 9

FIG. 1

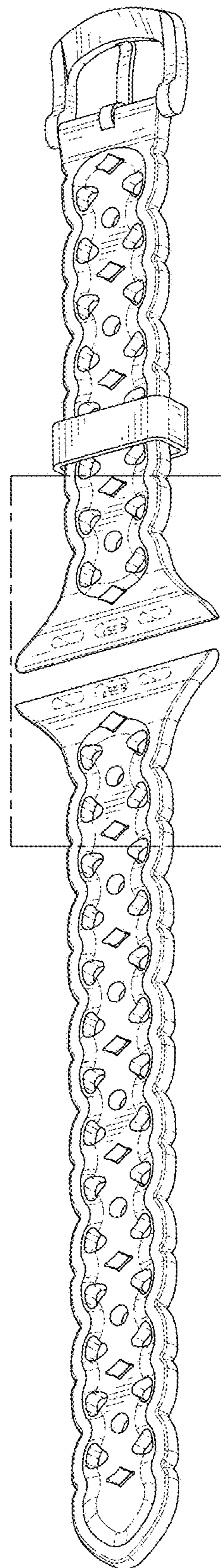


FIG. 2

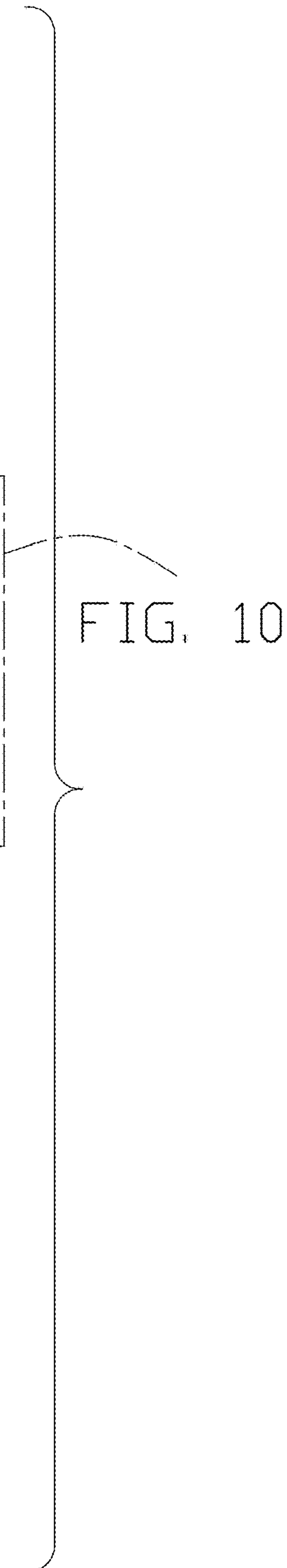


FIG. 10

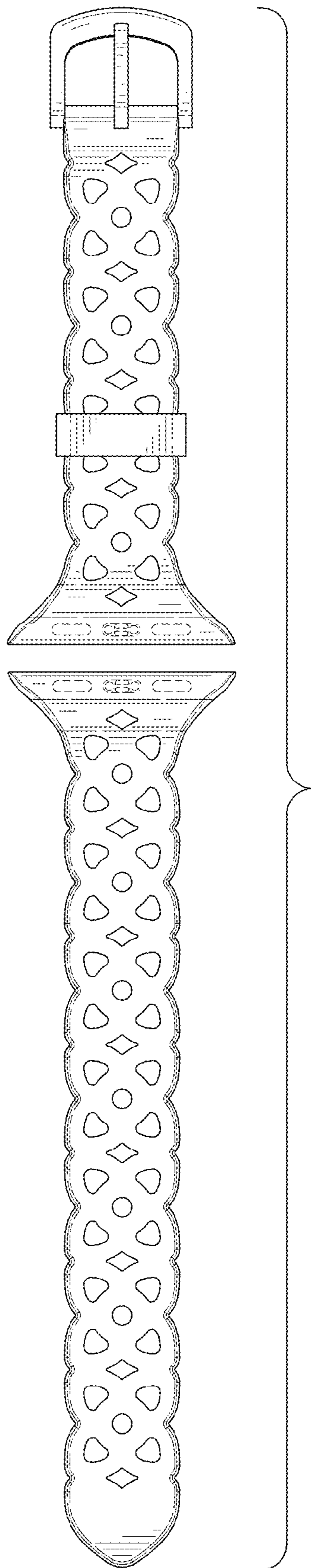


FIG. 3

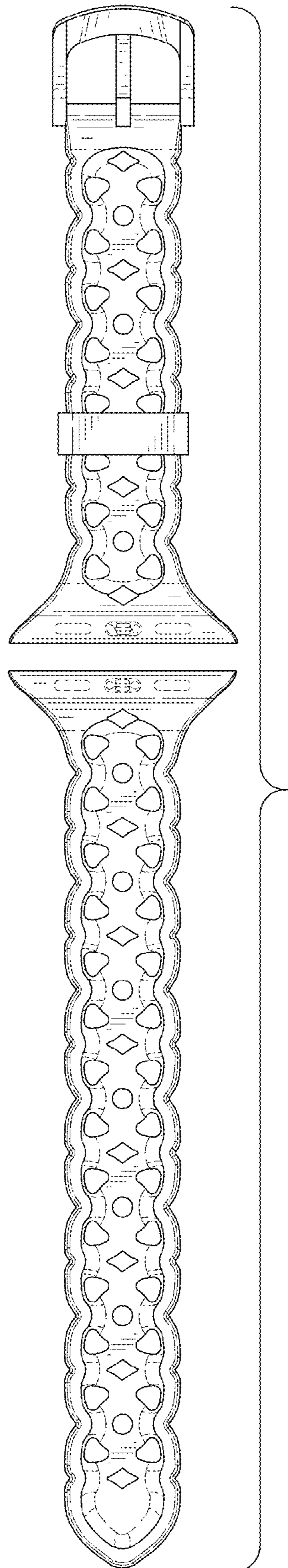


FIG. 4

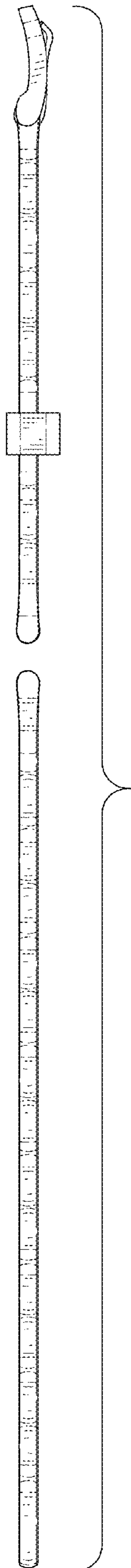


FIG. 5

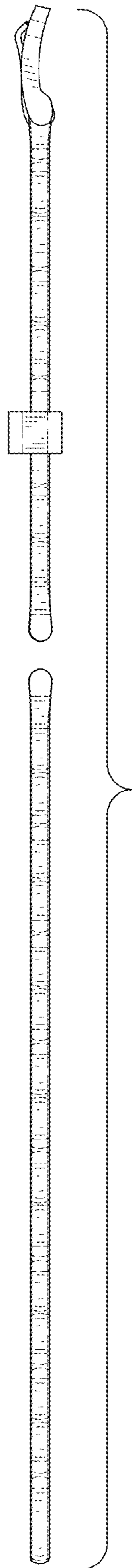


FIG. 6



FIG. 7

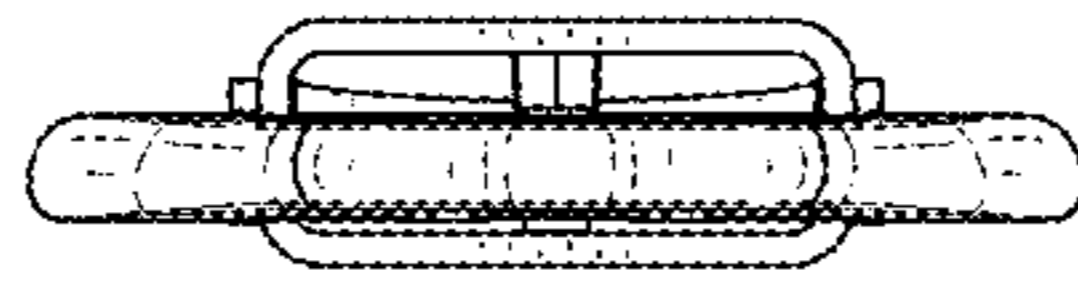


FIG. 8

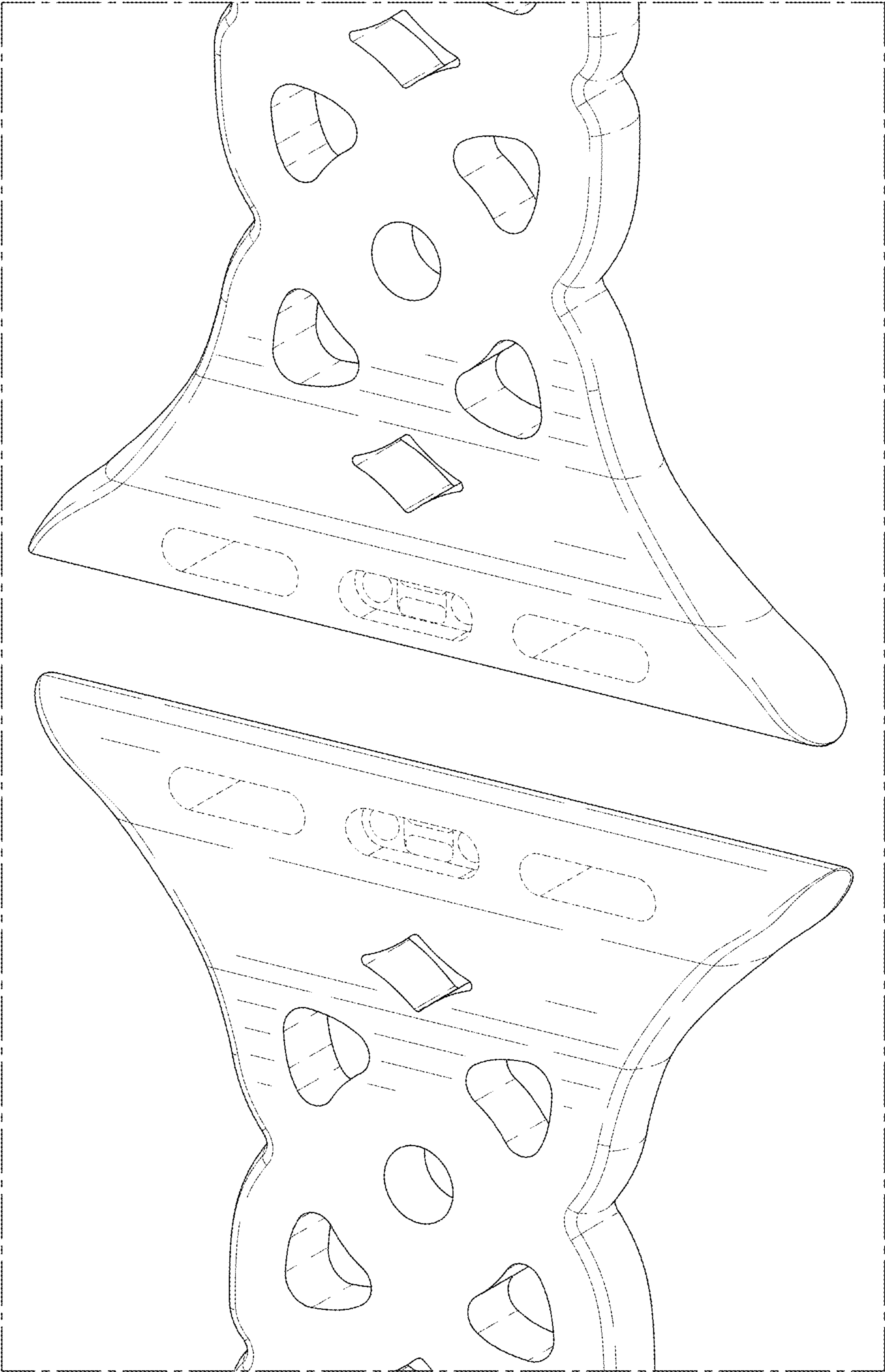


FIG. 9

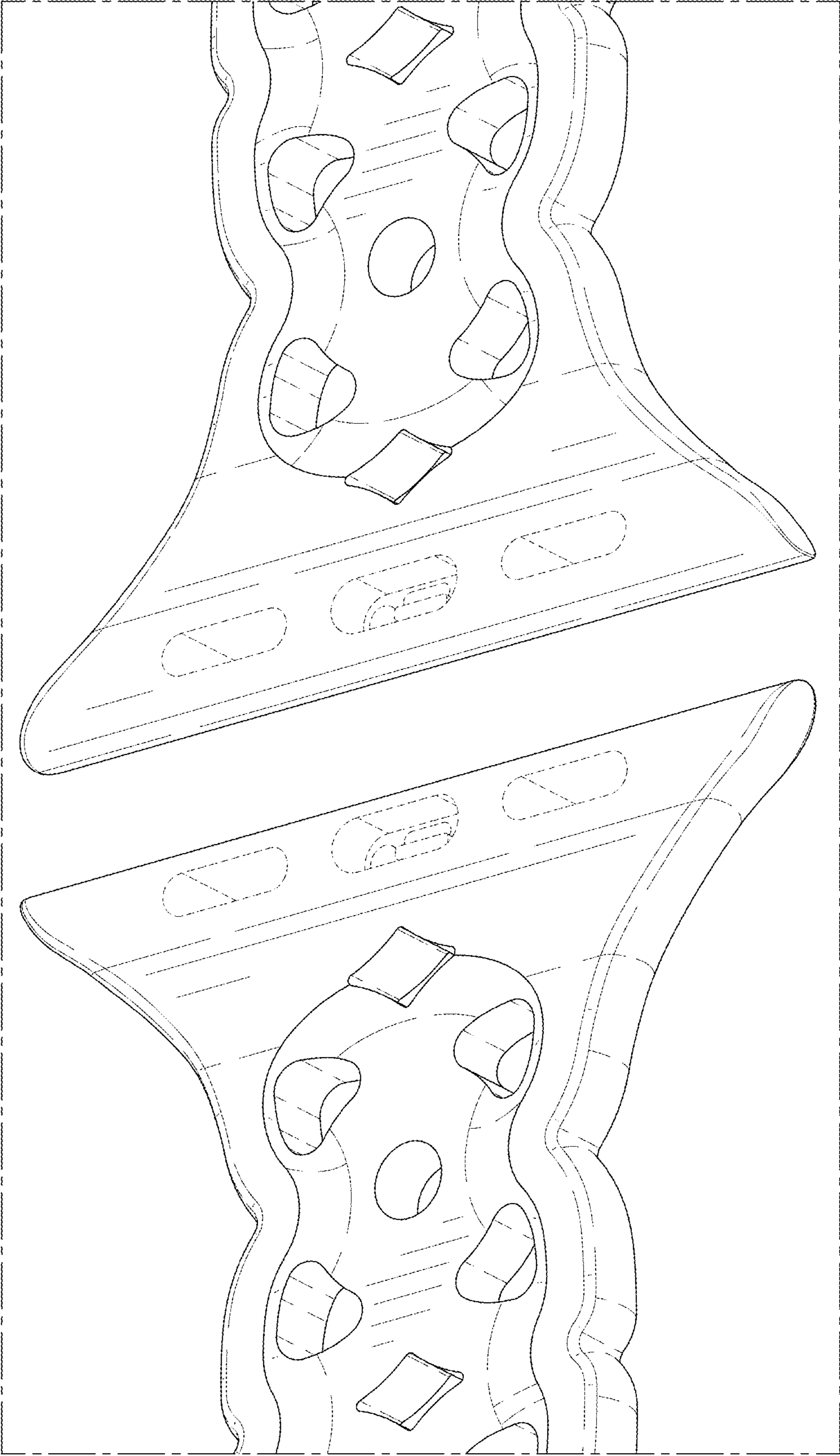


FIG. 10