



US00D970380S

(12) **United States Design Patent**  
**Wu**

(10) **Patent No.:** **US D970,380 S**

(45) **Date of Patent:** **\*\* Nov. 22, 2022**

(54) **WATCHBAND**

(71) Applicant: **Qi Wu**, Loudi (CN)

(72) Inventor: **Qi Wu**, Loudi (CN)

(\*\*) Term: **15 Years**

(21) Appl. No.: **29/787,783**

(22) Filed: **Jun. 8, 2021**

(51) **LOC (13) Cl.** ..... **11-01**

(52) **U.S. Cl.**  
USPC ..... **D11/3**

(58) **Field of Classification Search**  
USPC ..... D11/1-5, 94; D10/30, 31, 32, 70;  
D14/344; D30/152, 153; D2/627, 634,  
D2/635, 638  
CPC ..... A44C 5/0015; A44C 5/0023; A44C 5/003;  
A44C 5/0053; A44C 5/0061; A44C  
5/0069; A44C 5/0076; A44C 5/02; A44C  
5/025; A44C 5/027; A44C 5/16; A44C  
5/246

See application file for complete search history.

(56) **References Cited**

**U.S. PATENT DOCUMENTS**

2,434,383	A	*	1/1948	Benjamin	.....	A44C 5/0061
						D11/4
D248,547	S	*	7/1978	Fernando	.....	D10/32
D276,415	S	*	11/1984	Ecoffey	.....	D10/32
D287,403	S	*	12/1986	Kiiski	.....	D10/31
D303,503	S	*	9/1989	Kai	.....	D10/39
D333,275	S	*	2/1993	O'Hare	.....	D10/32
D340,664	S	*	10/1993	Butler	.....	D11/3
D356,956	S	*	4/1995	Hitter	.....	D10/32
D361,877	S	*	9/1995	Ruiz	.....	D2/637
D575,656	S	*	8/2008	Scholpp	.....	D11/3
D576,509	S	*	9/2008	Scholpp	.....	D11/3

D731,346	S	*	6/2015	Akana	.....	D11/3
D737,156	S	*	8/2015	Akana	.....	D10/70
D746,718	S	*	1/2016	Akana	.....	D11/3
D748,008	S	*	1/2016	Akana	.....	D11/94
D751,070	S	*	3/2016	Akana	.....	D14/344
D757,590	S	*	5/2016	Akana	.....	D11/3
D761,793	S	*	7/2016	Akana	.....	D10/70
D789,229	S	*	6/2017	Akana	.....	D11/3
D822,529	S	*	7/2018	Akana	.....	D11/13
D839,120	S	*	1/2019	Hou	.....	D11/3
D841,005	S	*	2/2019	Lin	.....	D14/344
D848,894	S	*	5/2019	Yu	.....	D11/3
D853,881	S	*	7/2019	Akana	.....	D11/3
D863,096	S	*	10/2019	Akana	.....	D11/3
D879,628	S	*	3/2020	Akana	.....	D10/70
D883,839	S	*	5/2020	Deng	.....	D11/3
10,750,831	B2	*	8/2020	Shaffer	.....	A44C 5/0053
D913,141	S		3/2021	Li		
D929,884	S	*	9/2021	Yi	.....	D11/3
D954,586	S	*	6/2022	Huang	.....	D10/32

\* cited by examiner

*Primary Examiner* — Llorelys Martinez

(74) *Attorney, Agent, or Firm* — Justin Lampel

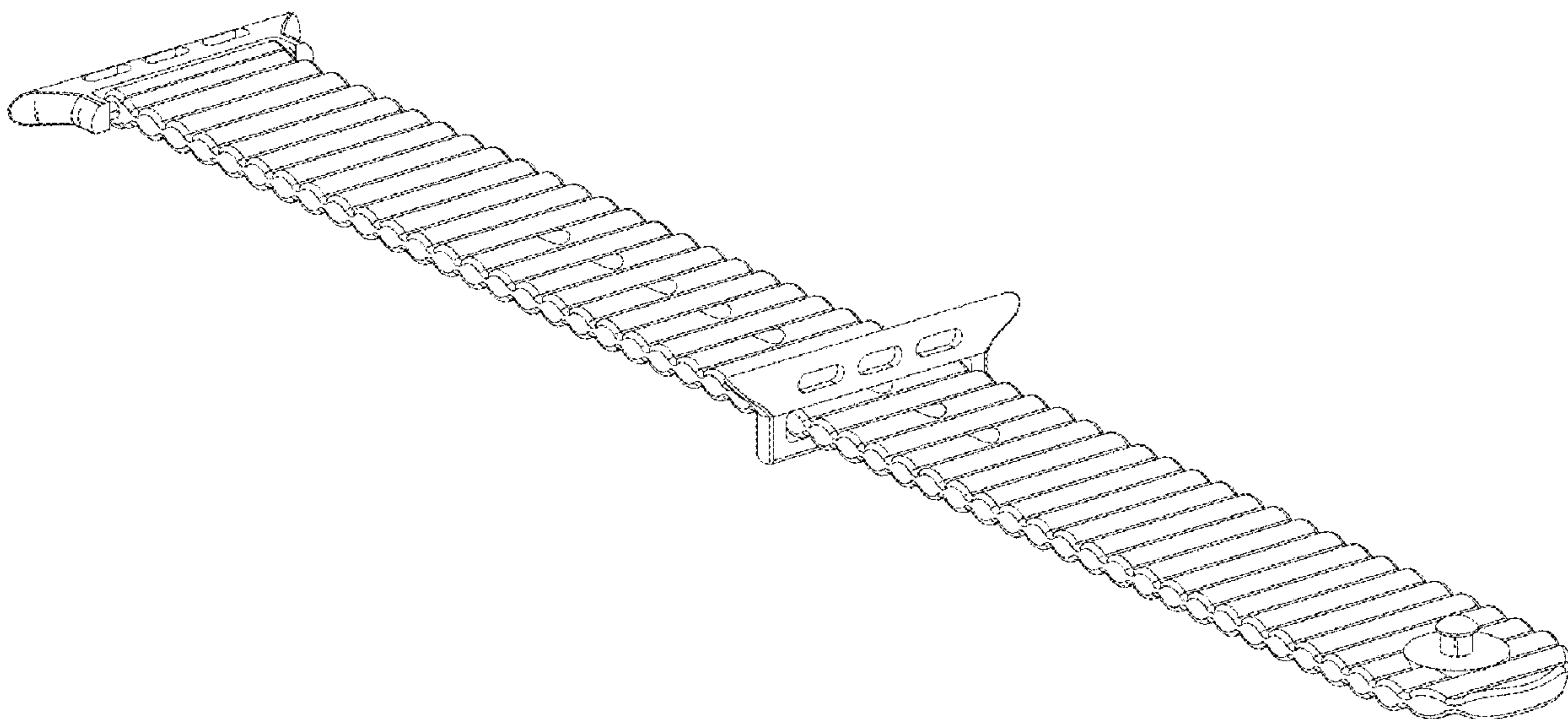
(57) **CLAIM**

The ornamental design for a watchband, as shown and described.

**DESCRIPTION**

FIG. 1 is a perspective view of a watchband showing the claimed design;  
FIG. 2 is a top plan view thereof;  
FIG. 3 is a left side view thereof;  
FIG. 4 is a front elevational view thereof;  
FIG. 5 is a right side view thereof;  
FIG. 6 is a rear elevational view thereof; and,  
FIG. 7 is a bottom plan view thereof.

**1 Claim, 7 Drawing Sheets**



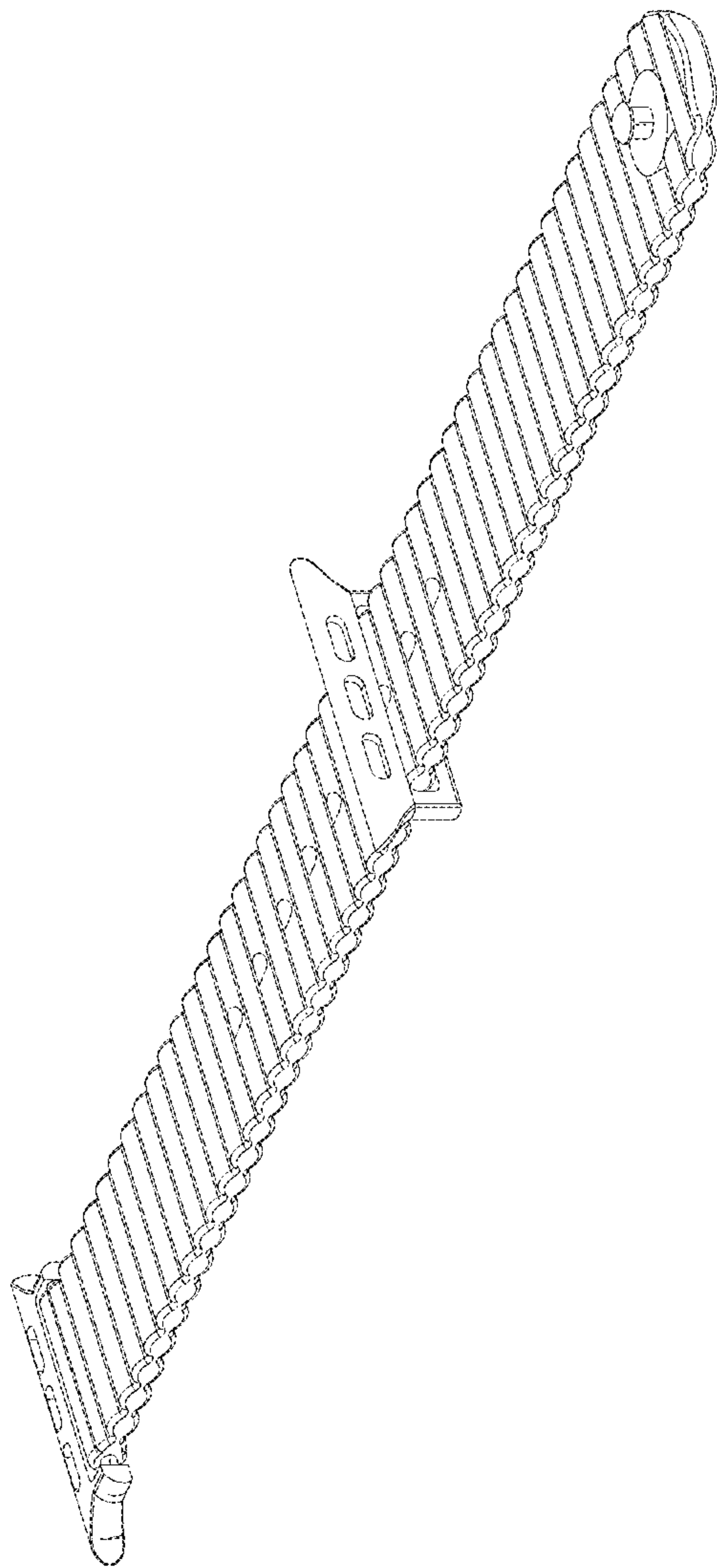


FIG. 1

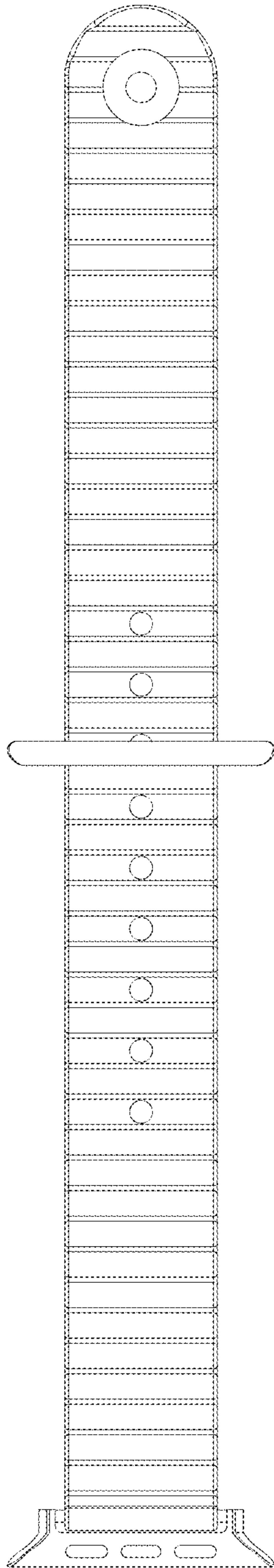


FIG. 2

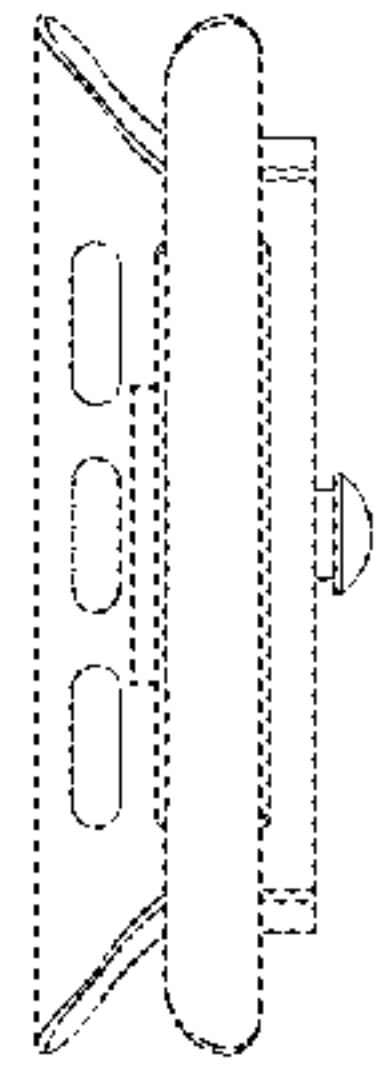


FIG. 3

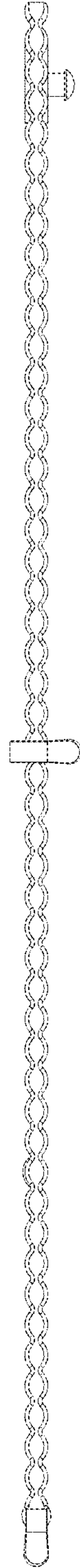


FIG. 4

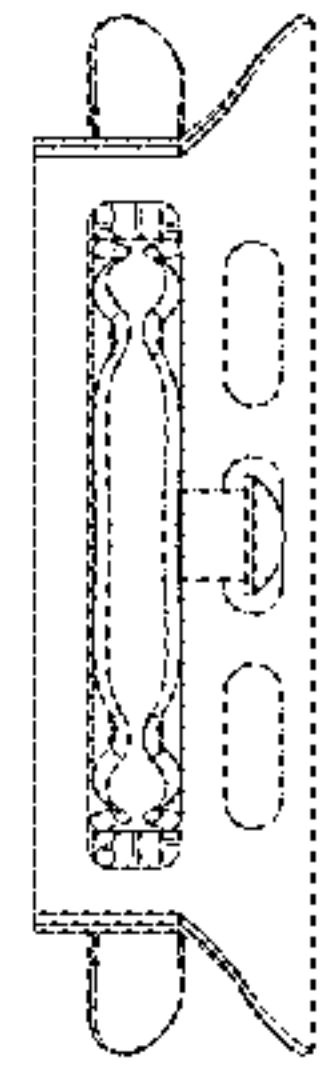


FIG. 5

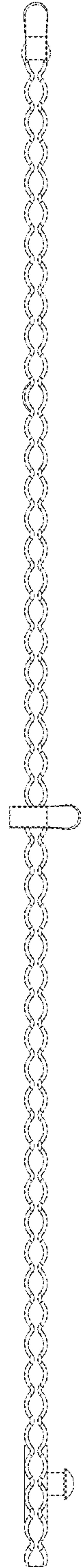


FIG. 6

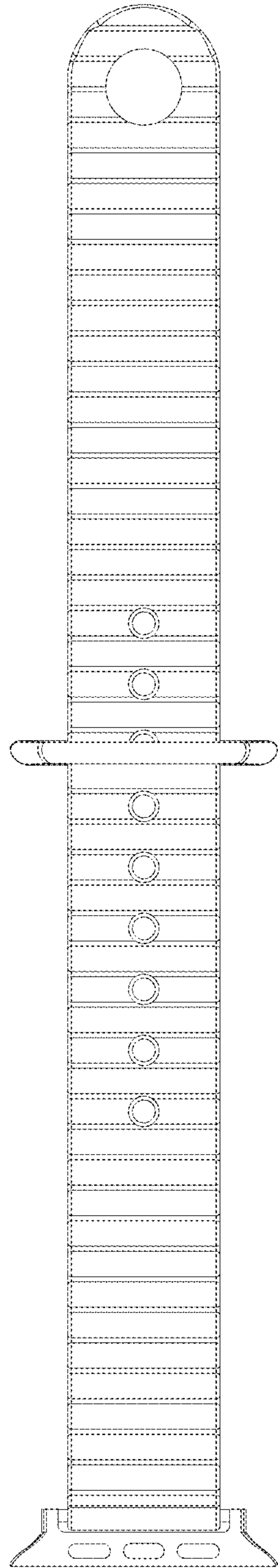


FIG. 7