



US00D970379S

(12) **United States Design Patent**
Liu

(10) **Patent No.:** **US D970,379 S**
(45) **Date of Patent:** **** Nov. 22, 2022**

(54) **BOW BUCKLE SMART WATCH BAND**

(71) Applicant: **SHENZHEN FUYUJIA TECHNOLOGY CO., LTD.**,
Guangdong (CN)

(72) Inventor: **Weihua Liu**, Jiangxi (CN)

(73) Assignee: **SHENZHEN FUYUJIA TECHNOLOGY CO., LTD.**, Shenzhen
(CN)

(**) Term: **15 Years**

(21) Appl. No.: **29/771,578**

(22) Filed: **Feb. 24, 2021**

(51) **LOC (13) Cl.** **11-01**

(52) **U.S. Cl.**
USPC **D11/3; D10/32**

(58) **Field of Classification Search**
USPC D11/1-25, 86, 87, 93, 94, 234, 235, 231;
224/164, 175; 600/301; D10/30-39, 70,
D10/46; 368/282, 285
CPC G04B 37/1486; G04B 37/16; G04B 37/18;
A44C 5/14; A44C 5/0053; A44C 5/0069;
A44C 5/0076; A44C 5/00; A44C 5/0007;
A44C 5/0015; A44C 5/0023; A44C
5/003; A44C 5/0061; A44C 5/12; A44C
5/147; A44C 5/18; A44C 5/185; A44C
5/2047; A44C 5/2052; A44B 11/006;
A44B 11/24

See application file for complete search history.

(56) **References Cited**

U.S. PATENT DOCUMENTS

1,055,428 A * 3/1913 Stone A41B 3/08
24/329
1,255,348 A * 2/1918 Stone A45D 8/006
132/275
1,480,009 A * 1/1924 Preston A45D 8/24
24/350
D77,188 S * 12/1928 Shuelke D11/10

2,170,778 A * 8/1939 Huppert A45D 8/24
D11/74
2,849,721 A * 9/1958 Grontkowski A41D 25/027
2/151
D313,373 S * 1/1991 Taylor D11/131
D371,891 S * 7/1996 Seaton D2/606
D390,808 S * 2/1998 Balde D11/121
D390,809 S * 2/1998 Etzion D11/133
D428,531 S * 7/2000 Falloon D28/41

(Continued)

FOREIGN PATENT DOCUMENTS

CA 46437 * 1/1980
CA 82455 * 11/1997

(Continued)

OTHER PUBLICATIONS

Doogle Designs [online] URL: <https://www.doogledesigns.com/product-page/elastic-apple-watch-bow-band-fitbit-versa-band-samsung-active-band-free-ship> (site visited: Jul. 28, 2022) (Year: 2021).*

(Continued)

Primary Examiner — Jae Liang
Assistant Examiner — Tia Ruth-Renee Polidori

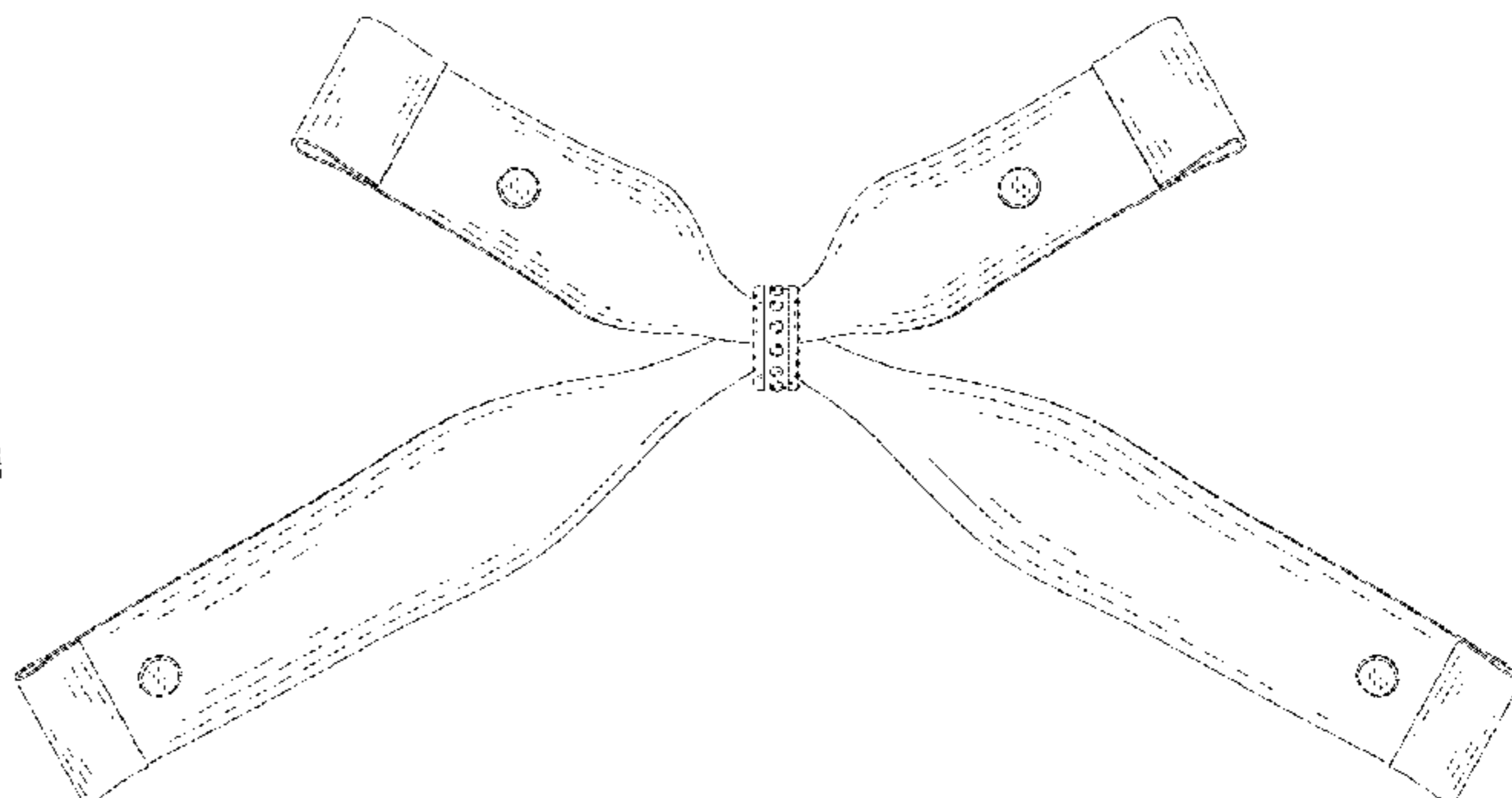
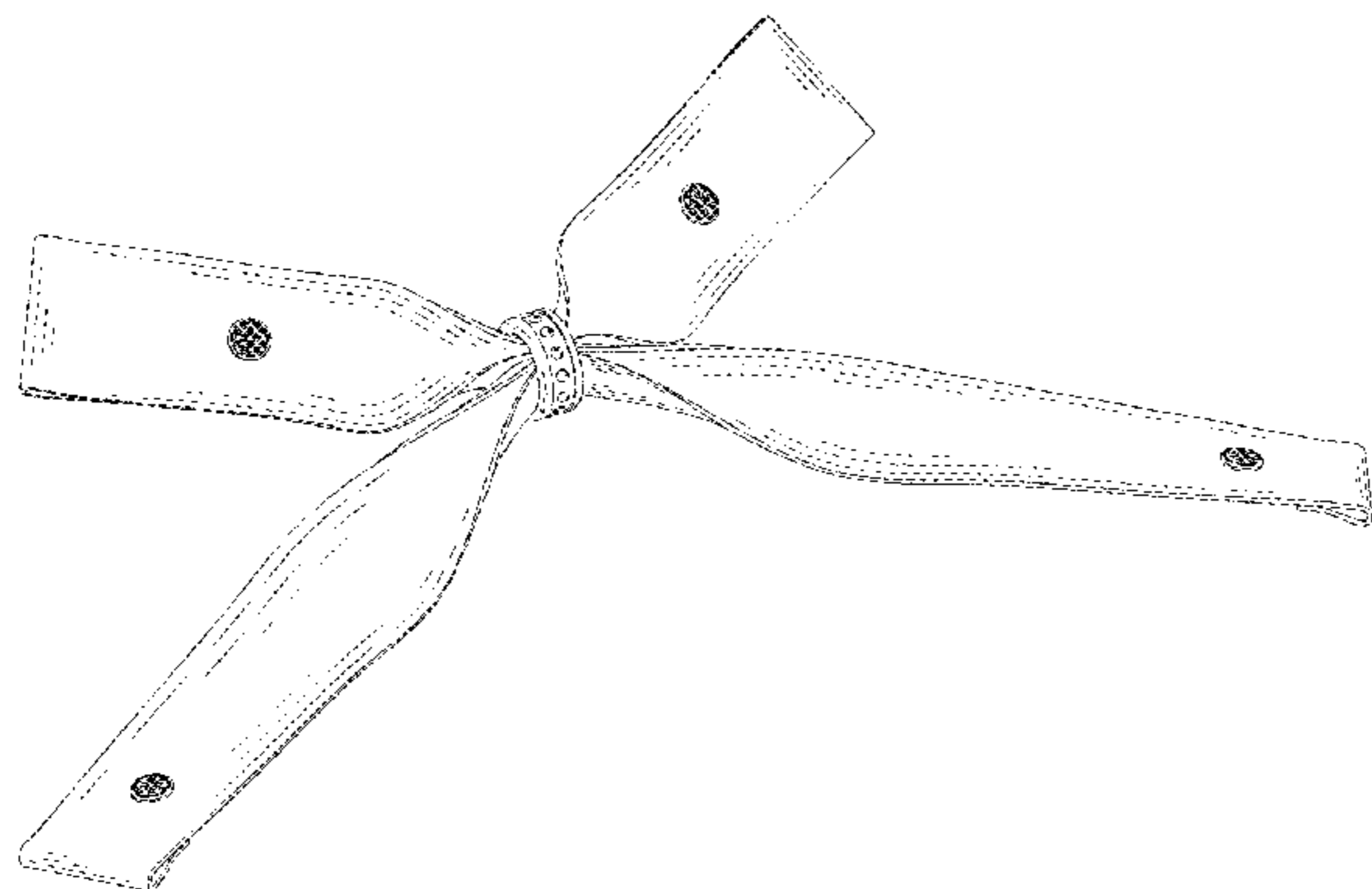
(57) **CLAIM**

The ornamental design for a bow buckle smart watch band, as shown and described.

DESCRIPTION

FIG. 1 is a front perspective view of my design for a bow buckle smart watch band,
FIG. 2 is a front view thereof;
FIG. 3 is a back view thereof;
FIG. 4 is a left side view thereof;
FIG. 5 is a right side view thereof;
FIG. 6 is a top view thereof; and,
FIG. 7 is a bottom view thereof.

1 Claim, 7 Drawing Sheets



(56)

References Cited

U.S. PATENT DOCUMENTS

D523,187 S * 6/2006 Bazar D30/152
 D612,551 S * 3/2010 Calenda D30/152
 D731,354 S * 6/2015 Pasco D11/184
 D777,997 S * 1/2017 Ruiz D30/145
 D807,321 S * 1/2018 Johnson D14/207
 D824,589 S * 7/2018 Anico D28/41
 D853,250 S * 7/2019 Ducas D10/32
 D862,459 S 10/2019 Choplin
 D896,677 S 9/2020 Wang
 2022/0039523 A1* 2/2022 Chambers A44C 5/0007

FOREIGN PATENT DOCUMENTS

CN 3088245 * 10/1998
 CN 3113553 * 6/1999
 GB 6053059 * 1/2019
 GB 6060339 * 5/2019
 JP D1590058 * 11/2017
 WO WOD101138-002 * 6/2018

OTHER PUBLICATIONS

Etsy [online] URL: <https://www.etsy.com/listing/688875317/apple-watch-elastic-bow-band> (site visited: Jul. 28, 2022) (Year: 2021).*

Shein [online] URL: <https://us.shein.com/1pc-Scarf-Strap-Compatible-With-Apple-Watch-p-10435953-cat-2781.html> (site visited: Jul. 28, 2022) (Year: 2022).*

SparkleBands [online] URL: <https://sparklbands.com/collections/bow-style-bands/products/limited-edition-bow-band-in-luxe-vanilla-camo> (site visited: Jul. 28, 2022) (Year: 2022).*

* cited by examiner

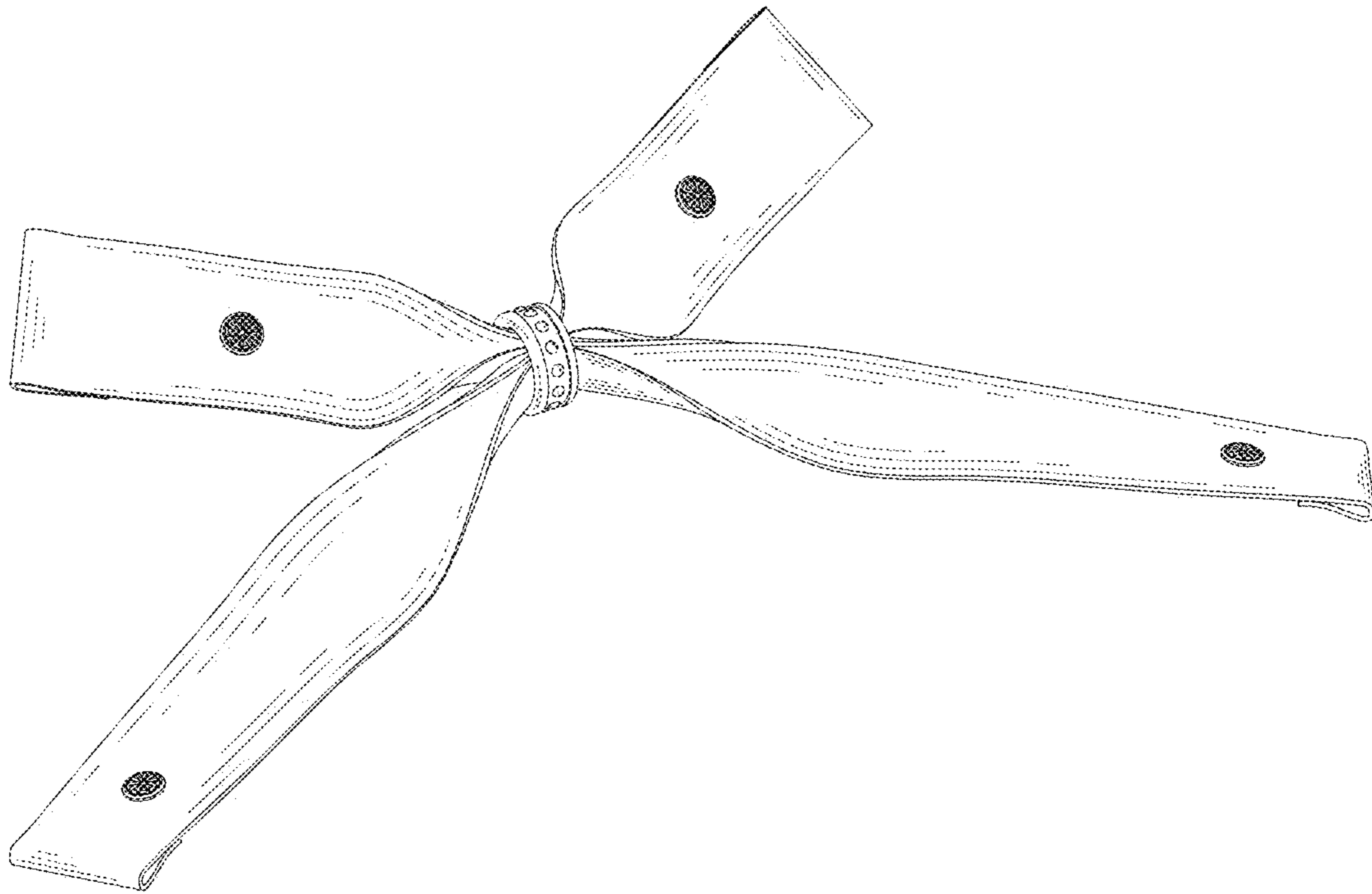


FIG.1

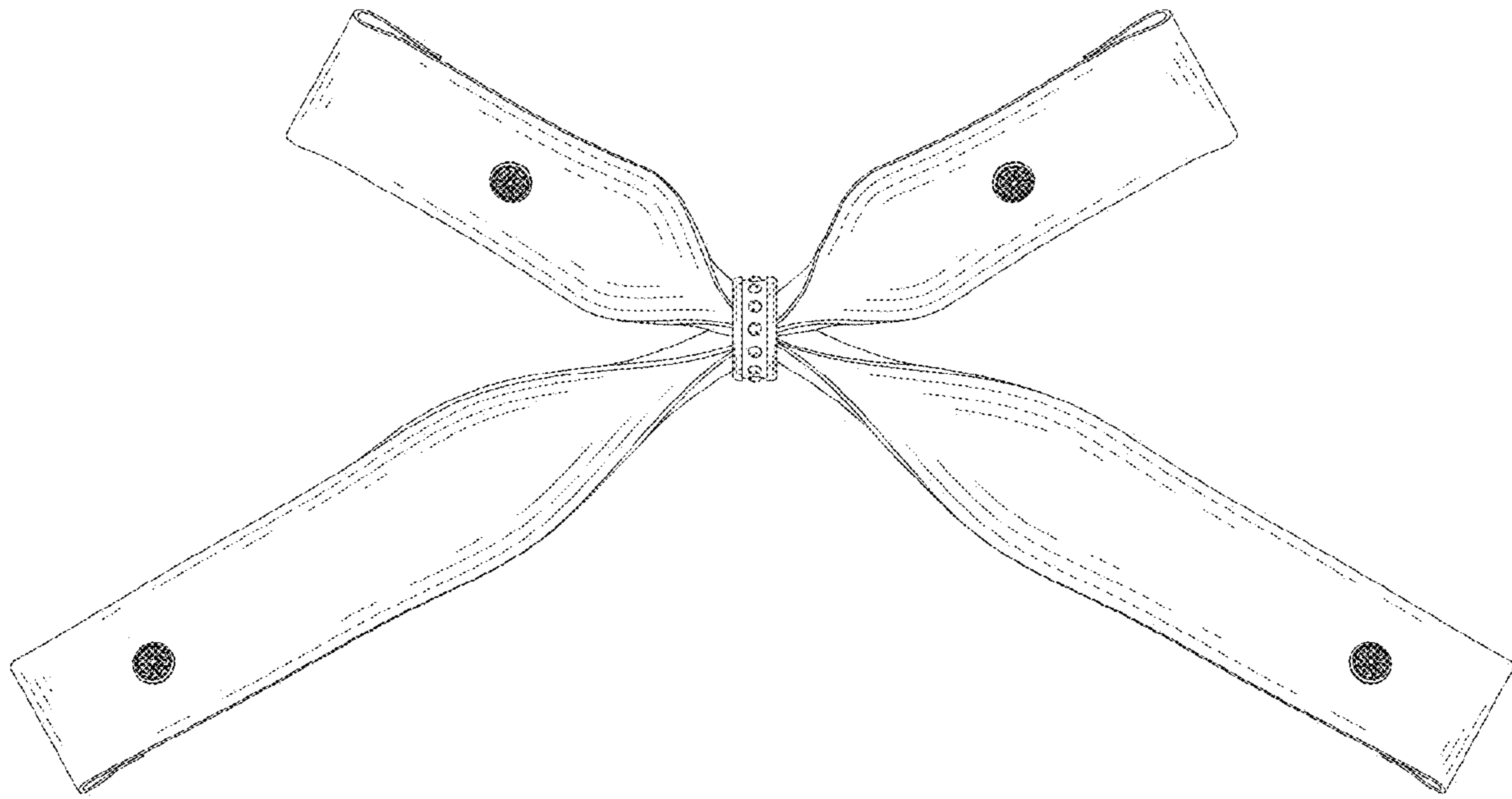


FIG.2

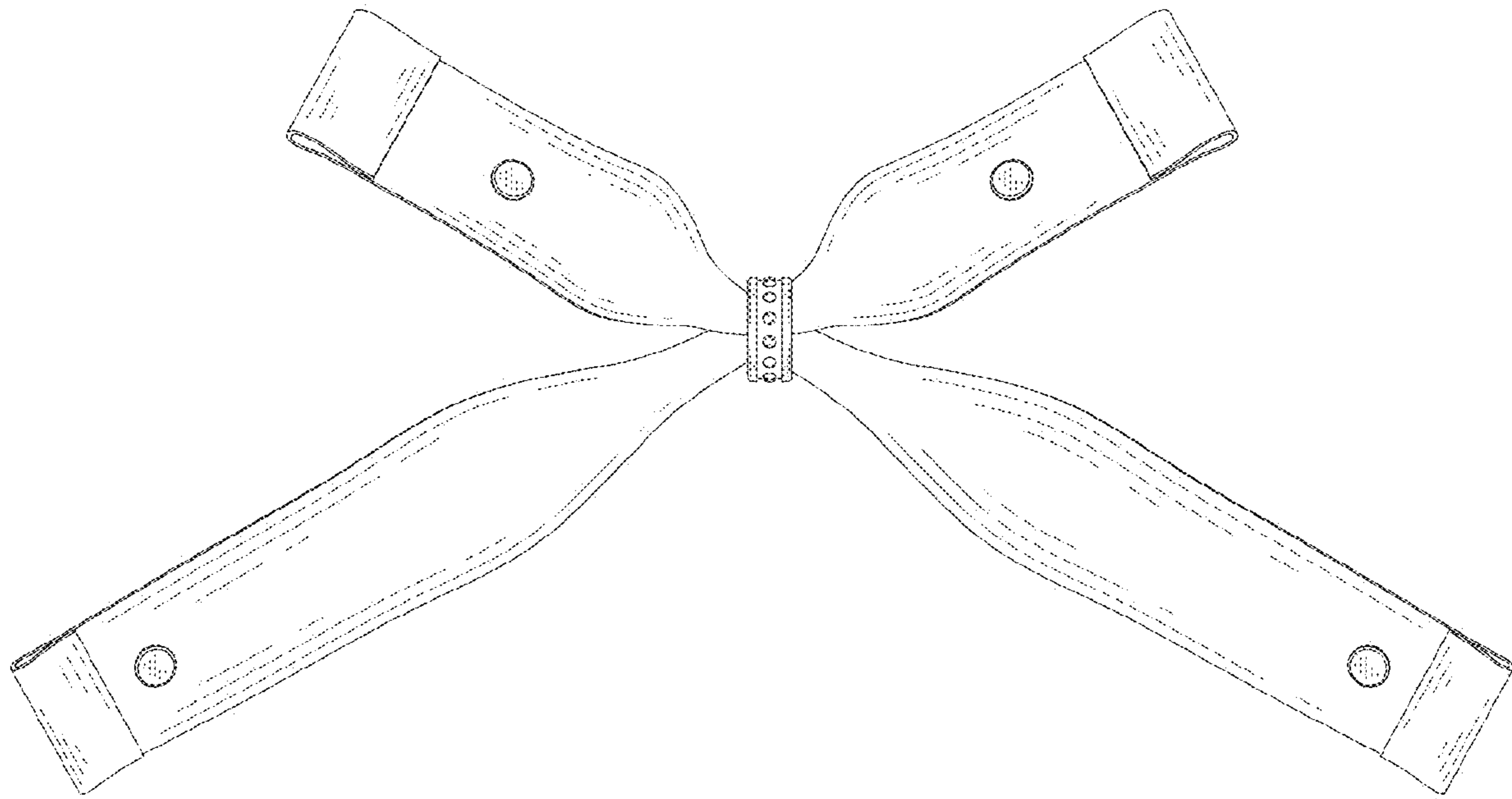


FIG. 3

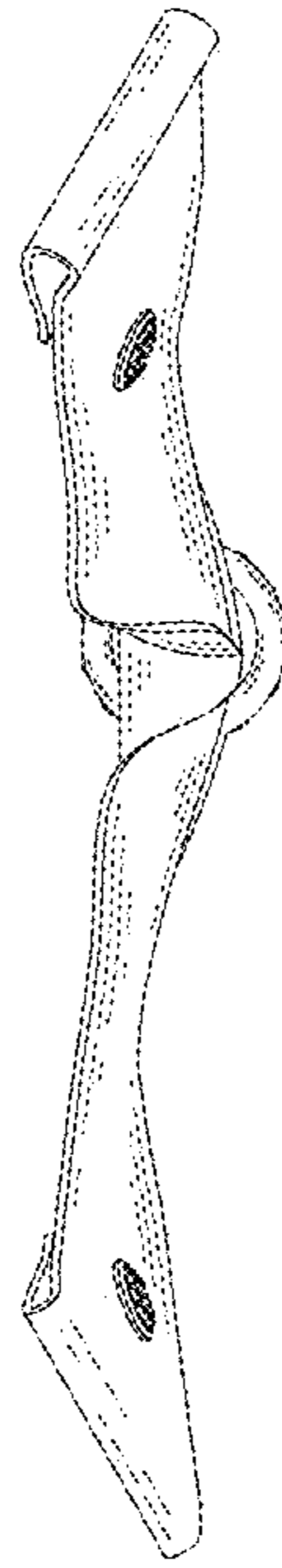


FIG. 4

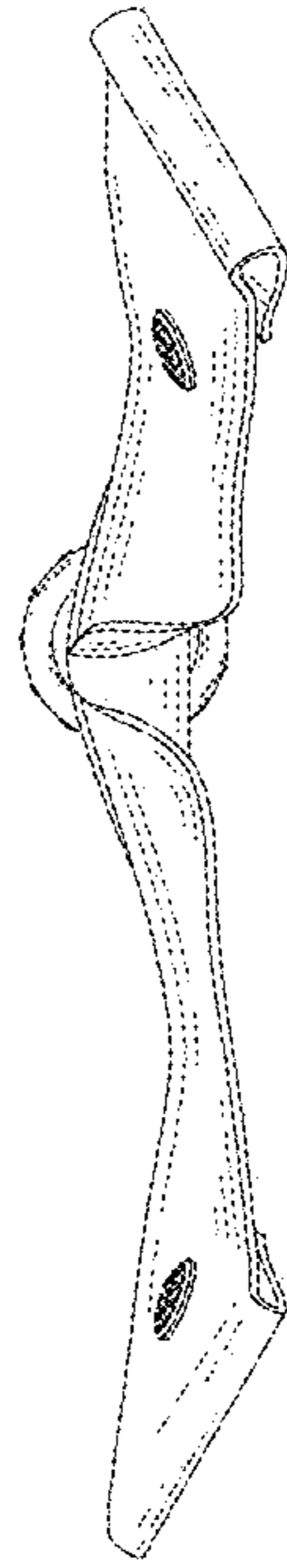


FIG. 5

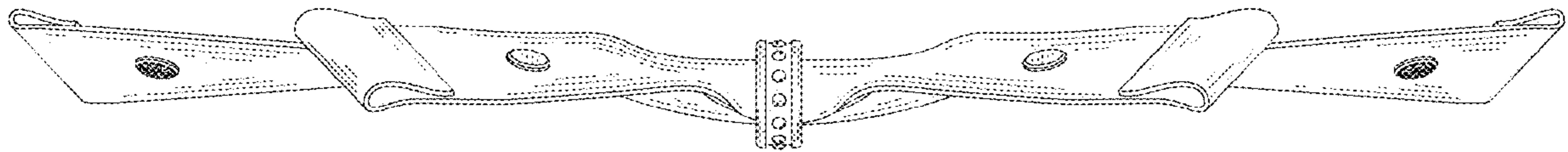


FIG.6

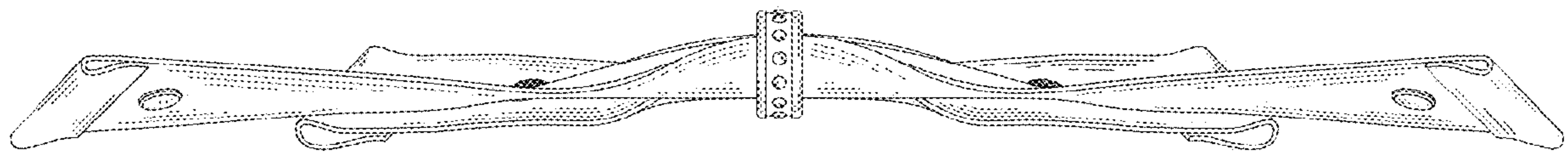


FIG. 7