



US00D970377S

(12) **United States Design Patent**
Liu

(10) **Patent No.:** **US D970,377 S**

(45) **Date of Patent:** **** Nov. 22, 2022**

(54) **WATCH CASE**

(71) Applicant: **Yulan Liu**, Xinyu (CN)

(72) Inventor: **Yulan Liu**, Xinyu (CN)

(**) Term: **15 Years**

(21) Appl. No.: **29/833,380**

(22) Filed: **Apr. 4, 2022**

(51) **LOC (13) Cl.** **10-07**

(52) **U.S. Cl.**
USPC **D10/132**

(58) **Field of Classification Search**
USPC D10/30-39, 122, 128, 129-132; D11/3;
D14/344, 440
CPC A44C 5/00; A44C 5/0007; A44C 5/147;
A44C 17/02; A45C 2011/001-003; A45C
15/08; A45C 11/10; A45C 11/12; G04B
37/005; G04B 37/0058; G04B 37/084;
G04B 37/087; G04G 17/08

See application file for complete search history.

(56) **References Cited**

U.S. PATENT DOCUMENTS

D767,573 S *	9/2016	Kim	D14/440
D780,740 S *	3/2017	Kim	D14/250
D877,153 S *	3/2020	Peng	D14/440
D885,229 S *	5/2020	Kim	D10/132
D885,230 S *	5/2020	Kim	D14/440
D888,710 S *	6/2020	Yun	D14/344
D897,350 S *	9/2020	Wang	D14/440
D897,867 S *	10/2020	Wright	D10/32
D902,768 S *	11/2020	Lin	D14/440
D903,508 S *	12/2020	Zhang	D10/30
D912,562 S *	3/2021	Zhou	D14/440
D920,147 S *	5/2021	Liu	D14/440
D920,810 S	6/2021	Engelbrecht		
D935,330 S	11/2021	Kieser		
D935,331 S	11/2021	Calamai		
D951,124 S *	5/2022	Deng	D10/32
D952,496 S *	5/2022	Yu	D10/30
D955,910 S *	6/2022	Deng	D10/32

D958,683 S *	7/2022	Liu	D14/440
2020/0363773 A1 *	11/2020	Wang	G04B 37/22
2022/0163925 A1 *	5/2022	You	G04B 37/005

FOREIGN PATENT DOCUMENTS

CN 3072277059 * 4/2022

OTHER PUBLICATIONS

Goton 2 in 1 Waterproof Case for Apple Watch Series 7 | amazon.com; date first avialable Apr. 13, 2022 [online]. © 1996-2022, Amazon.com, Inc [retrieved Aug. 12, 2022] from Internet: <https://www.amazon.com/Goton-Waterproof-Protector-Protective-Accessories/dp/B09XV3RNVP?th=1 > (Year: 2022).*

* cited by examiner

Primary Examiner — Katherine Glennon

(74) *Attorney, Agent, or Firm* — Rumit Ranjit Kanakia

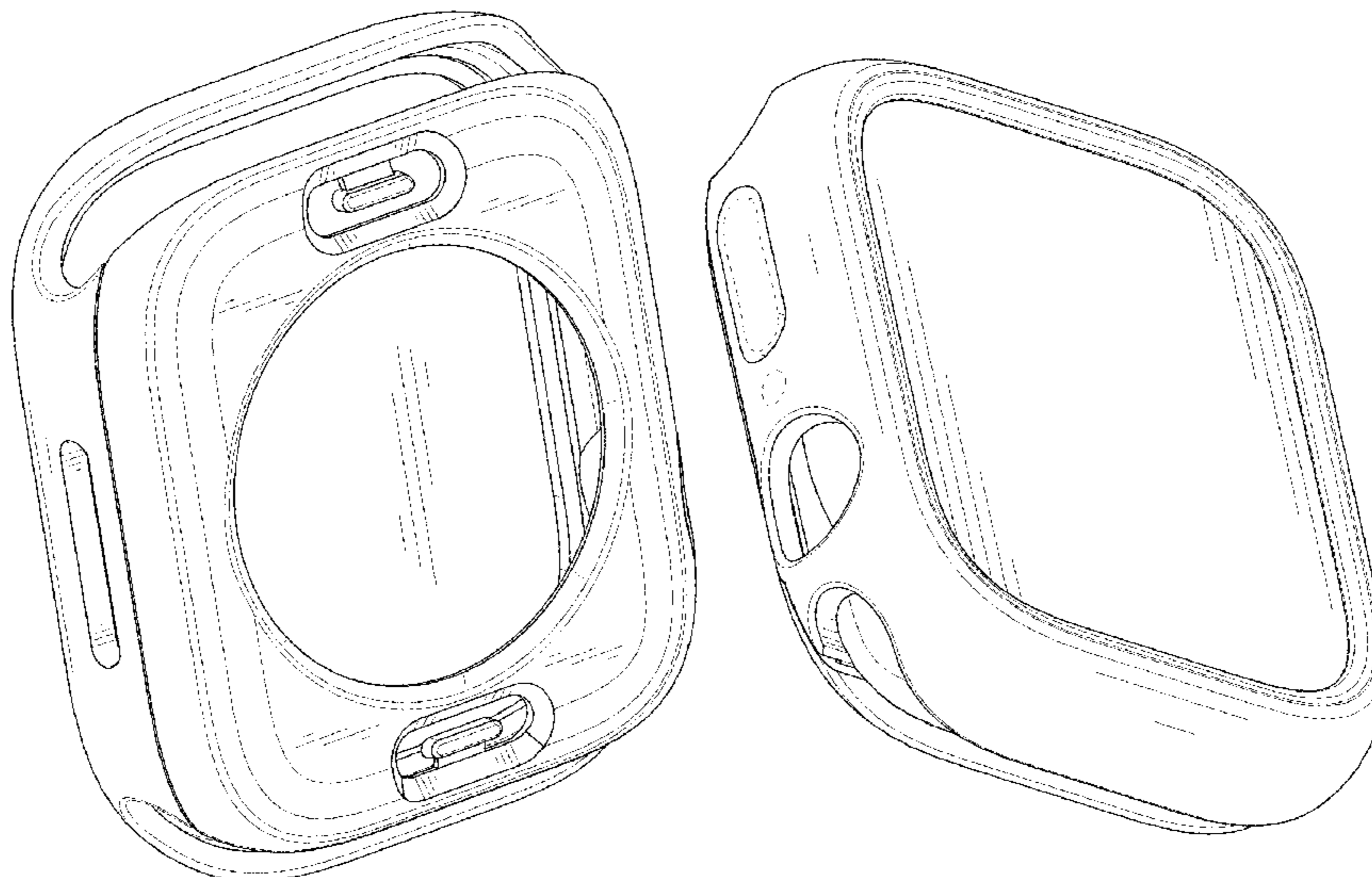
(57) **CLAIM**

The ornamental design for a watch case, as shown and described.

DESCRIPTION

FIG. 1 is a first perspective view of a watch case showing my new design;
FIG. 2 is a second perspective view thereof;
FIG. 3 is a front view thereof;
FIG. 4 is a back view thereof;
FIG. 5 is a left side view thereof;
FIG. 6 is a right side view thereof;
FIG. 7 is a top view thereof;
FIG. 8 is a bottom view thereof; and,
FIG. 9 is an exploded view of the watch case thereof.
The broken lines shown in the drawings depict portions of the watch case that form no part of the claimed design.

1 Claim, 9 Drawing Sheets



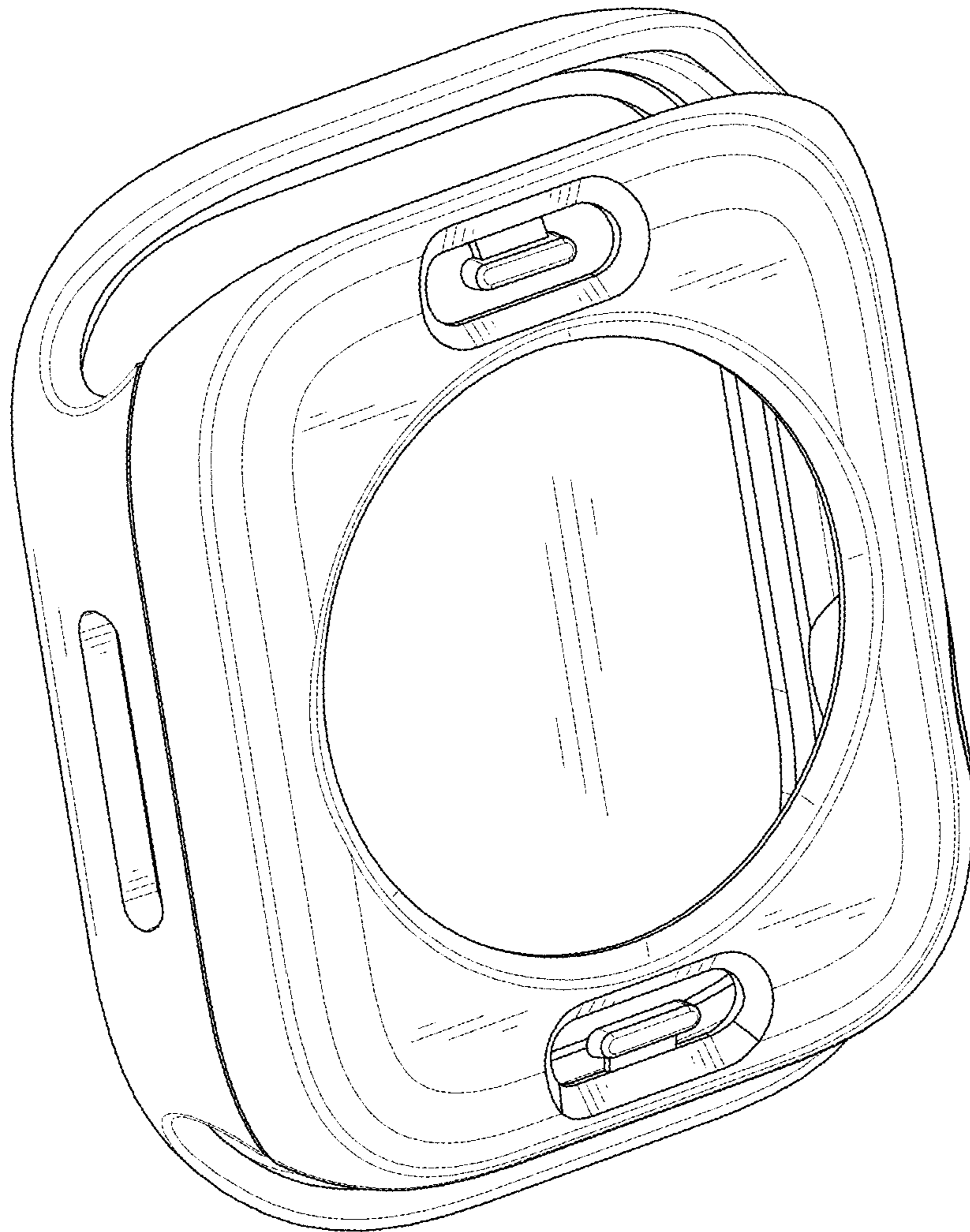


FIG. 1

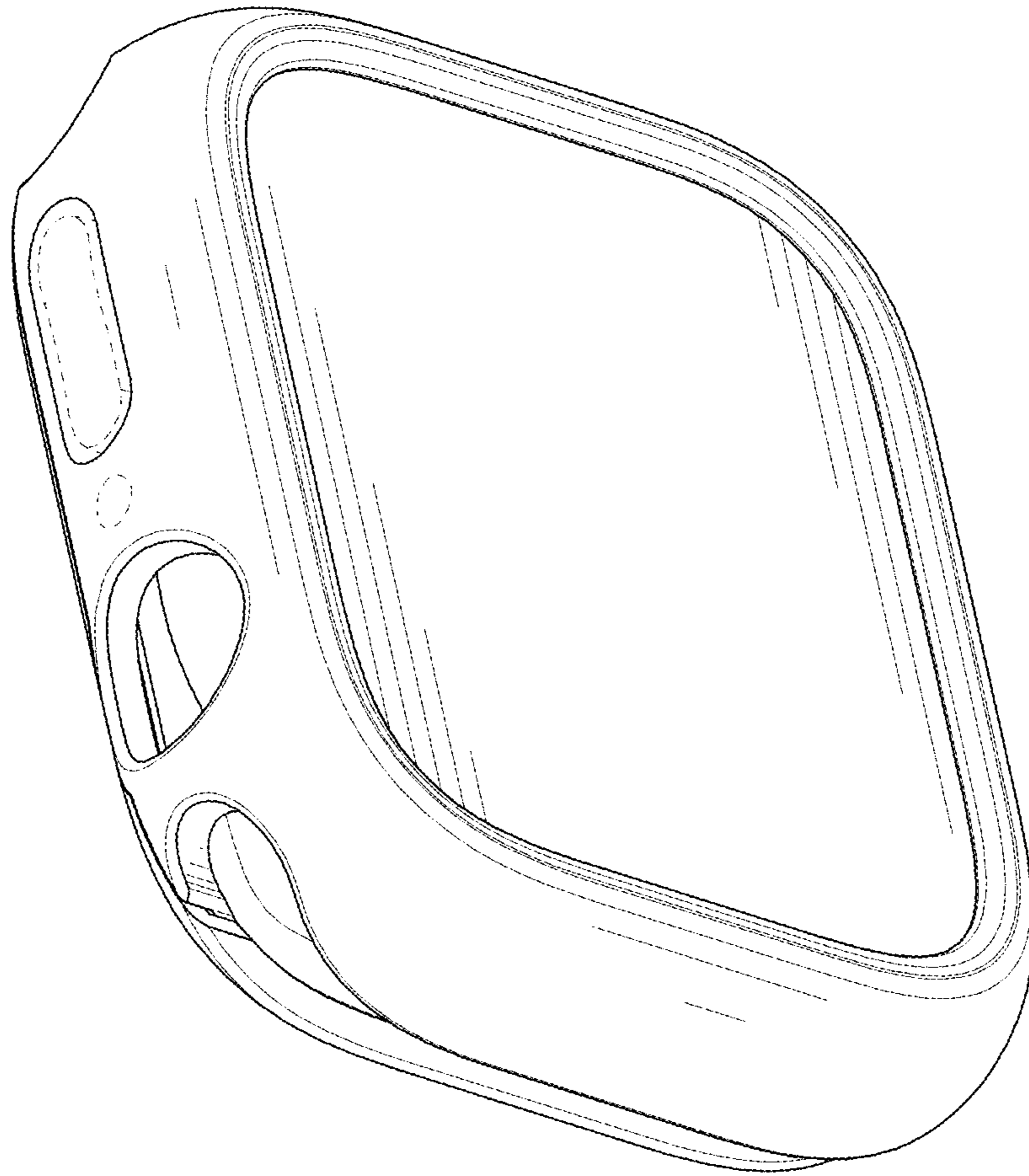


FIG. 2

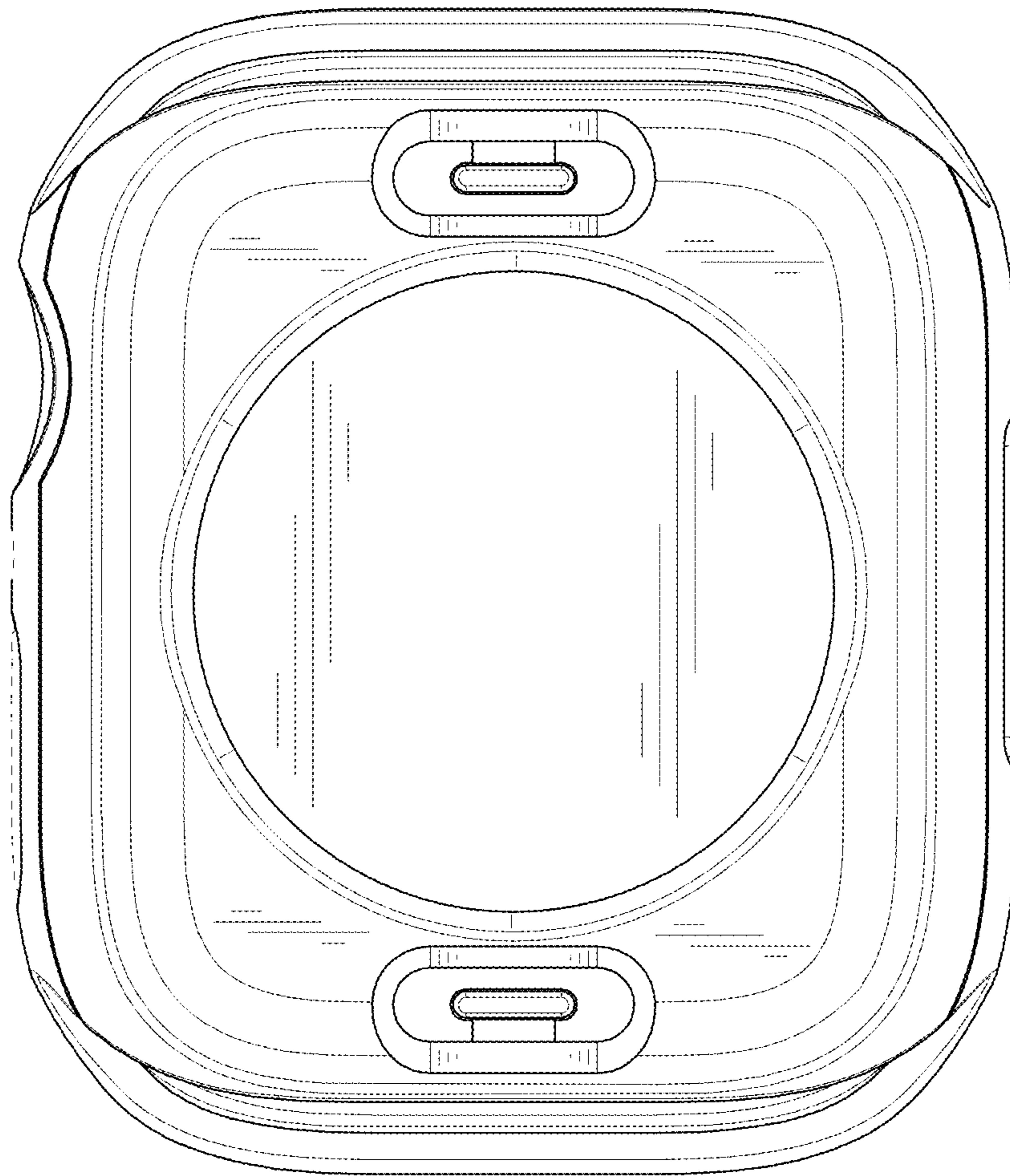


FIG. 3

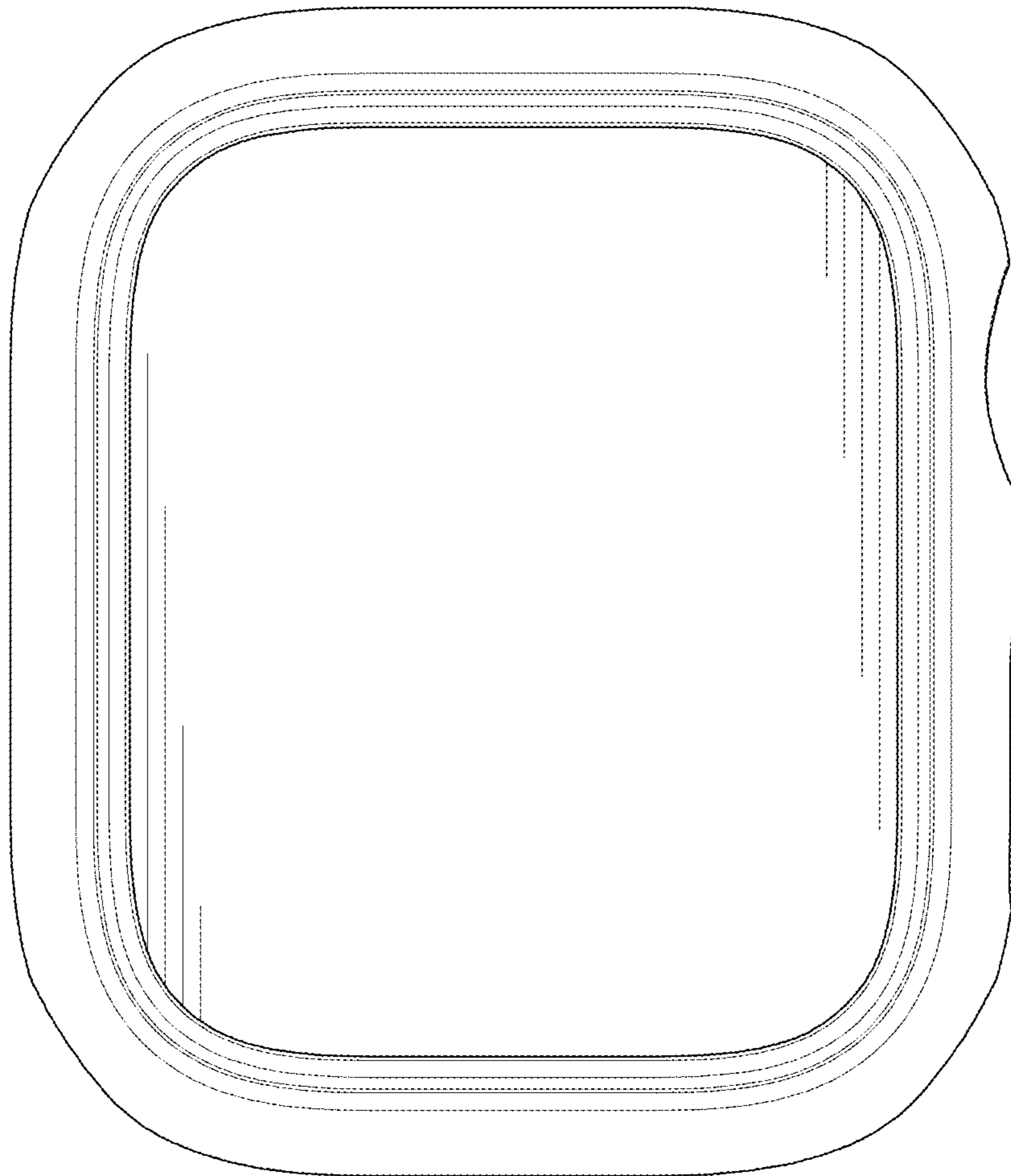


FIG. 4

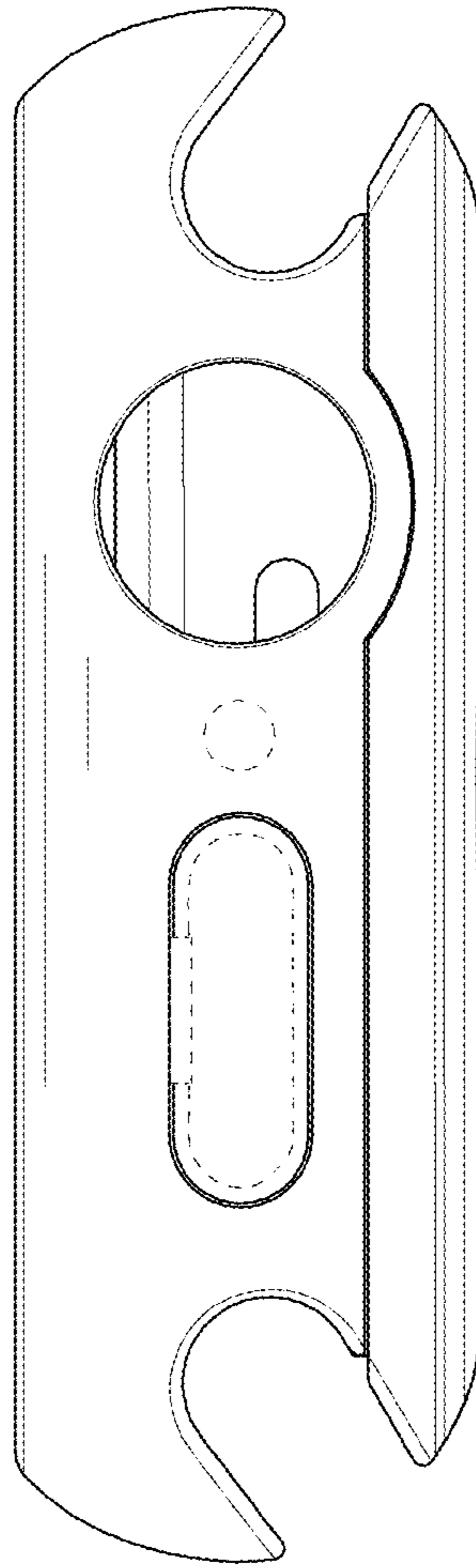


FIG. 5

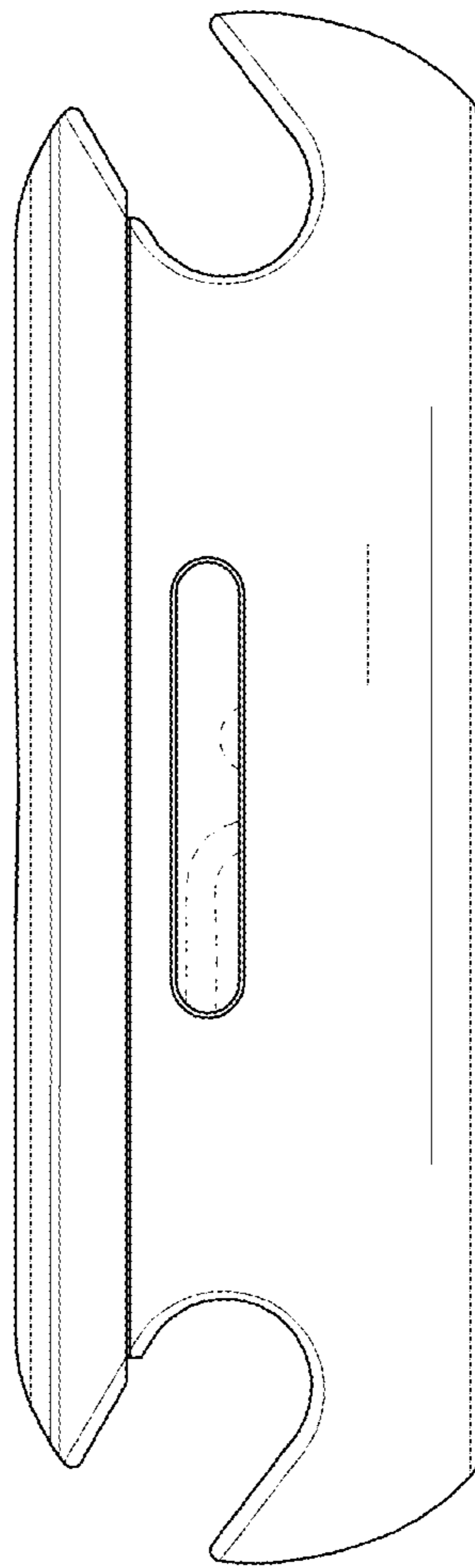


FIG. 6

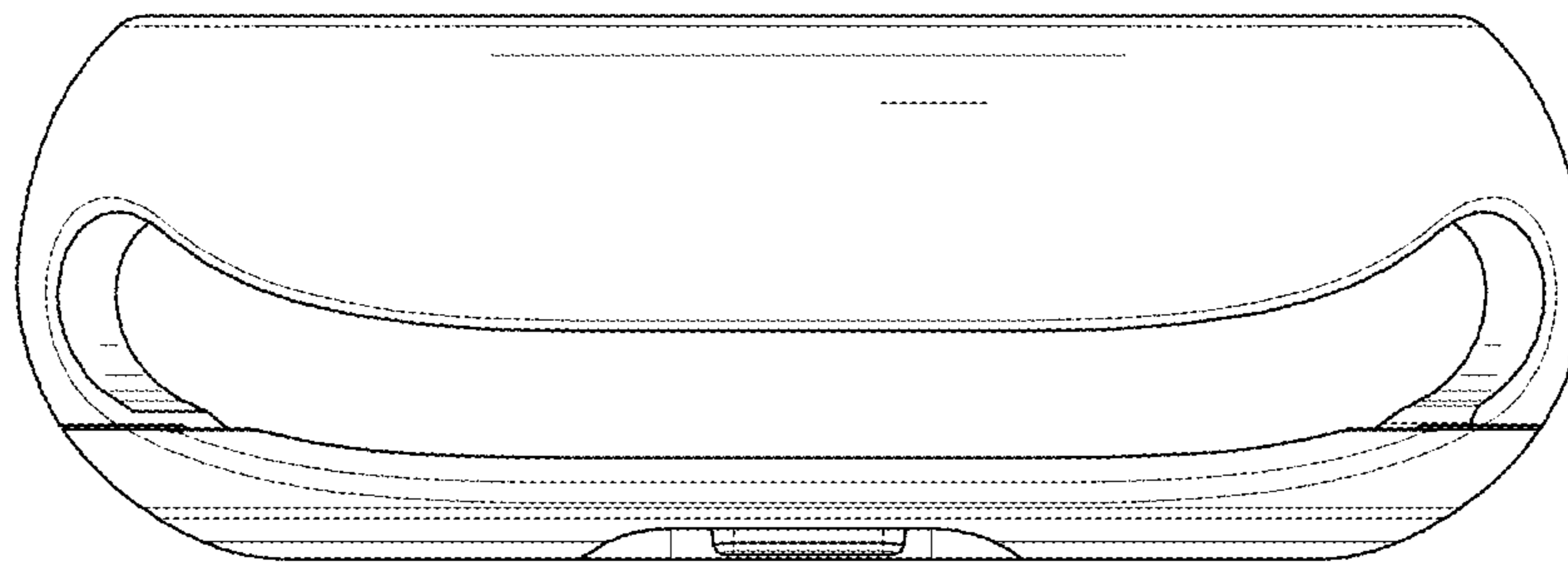


FIG. 7

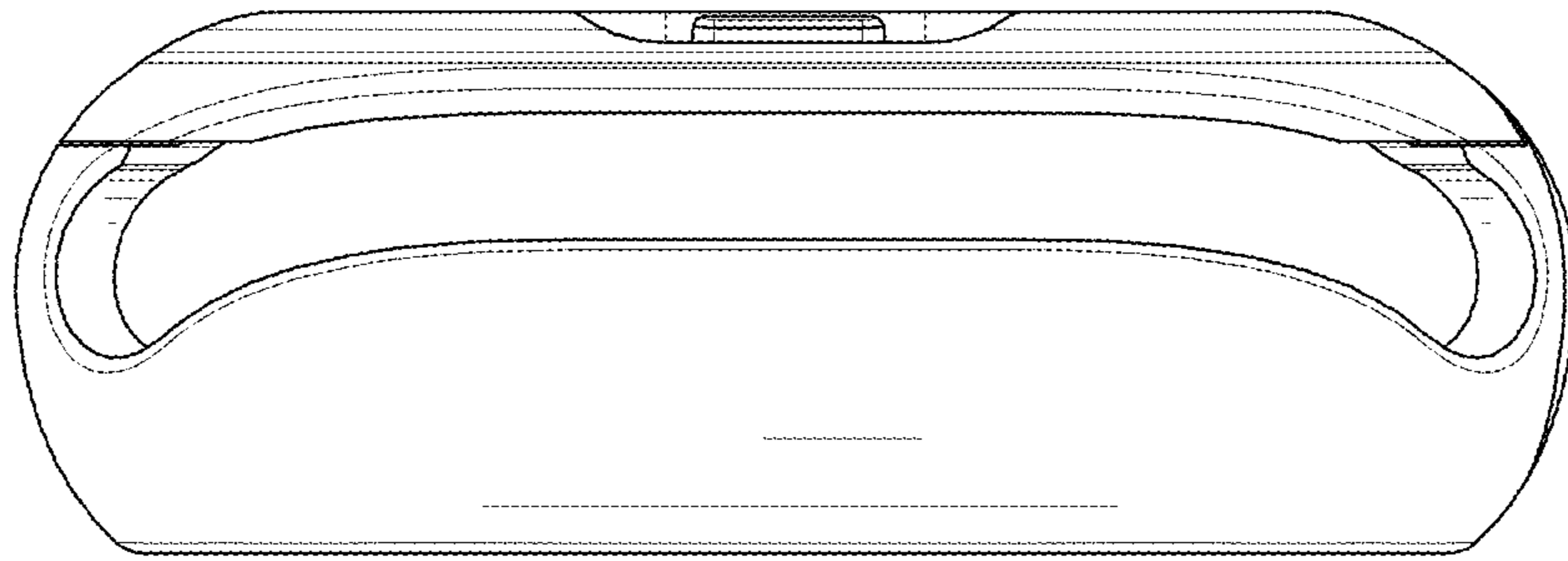


FIG. 8

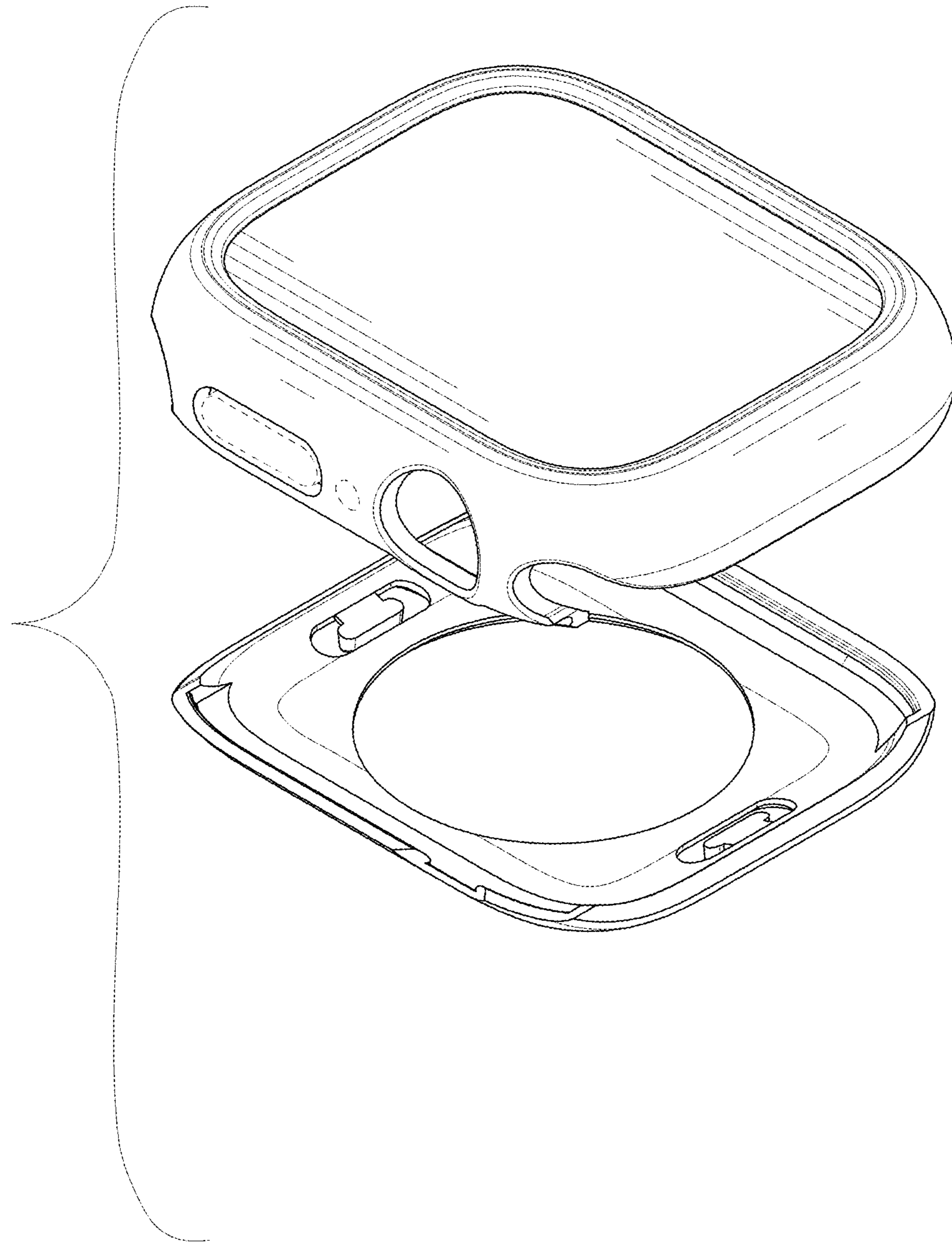


FIG. 9