



US00D970372S

(12) **United States Design Patent**
Aneja

(10) **Patent No.:** **US D970,372 S**

(45) **Date of Patent:** **** Nov. 22, 2022**

(54) **HOUSING FOR A LOCATION TRACKER**

(71) Applicant: **Neil Aneja**, Roanoke, VA (US)

(72) Inventor: **Neil Aneja**, Roanoke, VA (US)

(73) Assignee: **Neil Aneja**, Roanoke, VA (US)

(**) Term: **15 Years**

(21) Appl. No.: **29/822,172**

(22) Filed: **Jan. 6, 2022**

(51) **LOC (13) Cl.** **10-04**

(52) **U.S. Cl.**
USPC **D10/104.1**; D10/74

(58) **Field of Classification Search**

USPC D10/74, 65, 103, 104.1; D3/294, 428,
D3/425, 205, 293, 207; D14/493, 253;
D8/347, 315, 37, 349, 350, 399, 353,
D8/380; D12/114

CPC .. Y10T 70/8757; Y10T 70/8676; A45F 5/021;
A45F 2200/0558; A44B 15/00; A44B
15/002; A44B 15/007; A44B 17/0011;
A44B 17/0029; A44B 15/005; F16B 2/10;
F16B 2/22; F16B 5/0052; F16B

(Continued)

(56) **References Cited**

U.S. PATENT DOCUMENTS

4,457,425 A 7/1984 Cooper et al.
5,720,381 A 2/1998 Betancourt

(Continued)

FOREIGN PATENT DOCUMENTS

CN 207675950 U 7/2018
DE 102016202474 A1 8/2017

(Continued)

OTHER PUBLICATIONS

Nicedack Store, Airtag Bike Mount Hidden, Date first available Nov. 25, 2021, [online]retrieved Aug. 3, 2022, available from <https://www.>

amazon.com/NICEDACK-Mountain-Anti-Theft-Protection-Waterproof/dp/B09M8FFDH8/ref=psdc_219536011_t2_B09J4SRN8M?th=1 (Year: 2021).*

(Continued)

Primary Examiner — Keli L Hill

Assistant Examiner — Sara S Sahneh

(74) *Attorney, Agent, or Firm* — Dickinson Wright PLLC

(57) **CLAIM**

The ornamental design for a housing for a location tracker, as shown and described.

DESCRIPTION

FIG. 1 is a top perspective view of a housing for a location tracker, showing our new design;

FIG. 2 is a bottom perspective view of the housing for a location tracker;

FIG. 3 is a front view of the housing for a location tracker;

FIG. 4 is a top view of the housing for a location tracker;

FIG. 5 is a bottom side view of the housing for a location tracker;

FIG. 6 is a perspective disassembled view of the housing for a location tracker;

FIG. 7 is a perspective, exploded disassembled view of the housing for a location tracker, illustrating an example location tracker shown in broken lines;

FIG. 8 is a bottom view a top component of the housing for a location tracker; and,

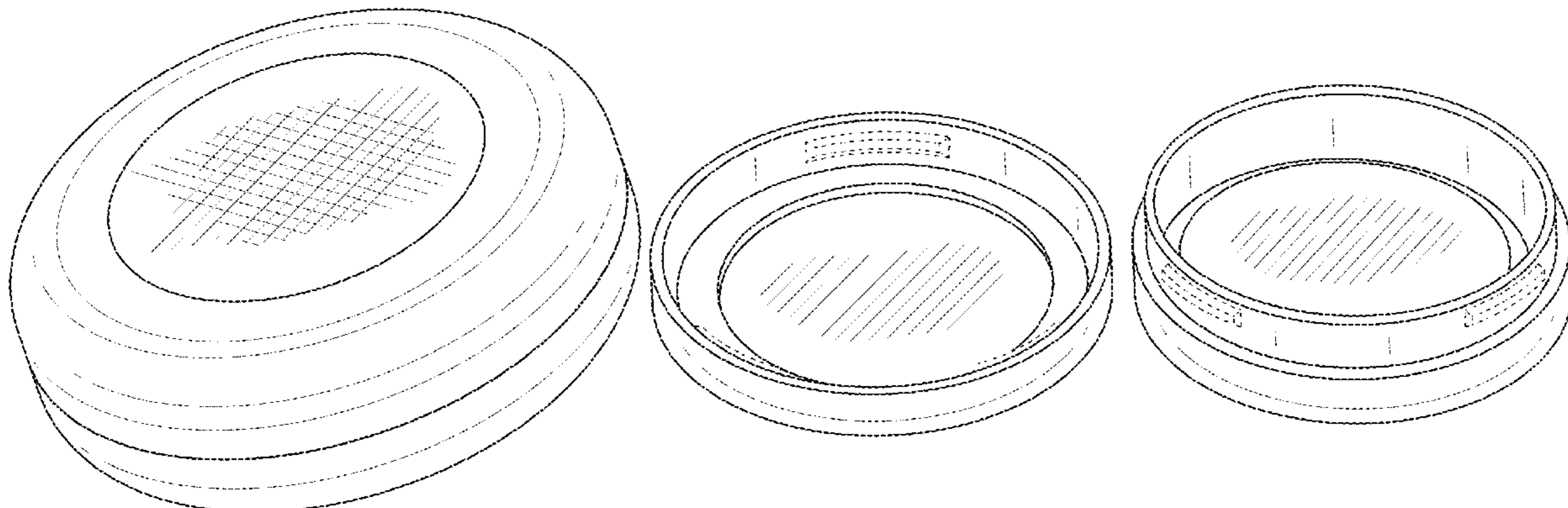
FIG. 9 is a top view of a bottom component of the housing for a location tracker.

The rear, right side, and left side view of the housing for a location tracker are mirrors images of FIG. 3.

The broken lines depict portions of the housing for a location tracker that form no part of the claimed design, and environment that forms no part of the claimed design.

The shaded region of FIGS. 2 and 5 is a magnetic material.

1 Claim, 8 Drawing Sheets



(58) **Field of Classification Search**

CPC 2/08; F16B 1/00; F16B 5/12; B60R 11/0241; B60R 11/02; B60R 11/0252; B60R 2011/0064; B60R 2011/007; B60R 2011/008; B62J 11/00; B62J 50/225; B62J 45/00; H02J 50/10; H02J 7/0044; H02J 50/005; H02J 2310/46; F16M 13/02; F16M 11/2035; F16M 11/14; F16M 13/022; F16M 11/041; G06F 1/1632; G06F 2200/1633; H04M 1/185; H04M 1/21; H05K 5/0221; H05K 5/03; E05B 19/04; E05B 49/00; G07C 9/00944

See application file for complete search history.

(56) **References Cited**

U.S. PATENT DOCUMENTS

7,064,662	B2	6/2006	Goggin	
7,397,815	B2	7/2008	Gupta et al.	
8,446,279	B2	5/2013	Jennings, III	
8,736,445	B2	5/2014	Bourdeau et al.	
D709,397	S *	7/2014	Ennabli	D10/106.9
D790,372	S *	6/2017	Daoura	D10/104.1
D836,474	S *	12/2018	Cannell	D10/104.1
10,201,292	B2	2/2019	Sharpe et al.	
D852,150	S	6/2019	Turksu et al.	
D862,265	S *	10/2019	Cannell	D10/104.1
D864,961	S *	10/2019	Sakaguchi	D14/218
10,896,363	B2 *	1/2021	Haimer	G06K 19/04
D911,860	S *	3/2021	Schoenherr	D10/104.2
D920,143	S *	5/2021	Painter	D10/70
11,044,974	B2	6/2021	Whitten et al.	
D941,687	S *	1/2022	Painter	D10/70
2003/0144193	A1	7/2003	Rottman et al.	
2005/0168338	A1	8/2005	Parker et al.	
2006/0165122	A1	7/2006	Gupta et al.	
2012/0098659	A1	4/2012	Gomez	
2018/0063976	A1 *	3/2018	Kajiura	H05K 5/0221
2020/0086513	A1 *	3/2020	Ambielli	B25F 1/006

2020/0378546	A1 *	12/2020	Painter	F16M 13/02
2021/0063108	A1 *	3/2021	Parsons	B60R 7/14
2021/0286402	A1	9/2021	Dimeglio	

FOREIGN PATENT DOCUMENTS

GB	8203313000-5000	*	8/2009
GB	6149398	*	7/2021
KR	101571561 B1		12/2015
KR	300964118.0000	*	12/2016
KR	301118190.0000	*	6/2021
NZ	413068-0001	*	12/2009

OTHER PUBLICATIONS

Josef Prusa,Printables,Round pill-box,Date first available Mar. 25, 2022 , [online]retrieved Aug. 16, 2022,available from <https://www.printables.com/model/154658-round-pill-box/files> (Year: 2022).*

LandAirSea Store, 54 GPS Tracker, Date first available Mar. 27, 2017, [online]retrieved Aug. 22, 2022,available from

Evolution Lab TagVault: Keychain, retrieved from the internet on Dec. 30, 2021 at <https://www.elevationlab.com/products/tagvault>.

Apple AirTag Magnetic Case, retrieved from the internet on Dec. 30, 2021 at <https://www.etsy.com/listing/1108834335/apple-airtag-magnetic-case>.

Miniature creme jar or pill box with bayonet connector lid, retrieved from the internet on Dec. 30, 2021 at <https://www.thingiverse.com/thing:4211949>.

Satechi, retrieved from the internet on Jan. 6, 2022 at <https://satechi.net/products/satechi-aluminum-magnet-mount>.

* cited by examiner

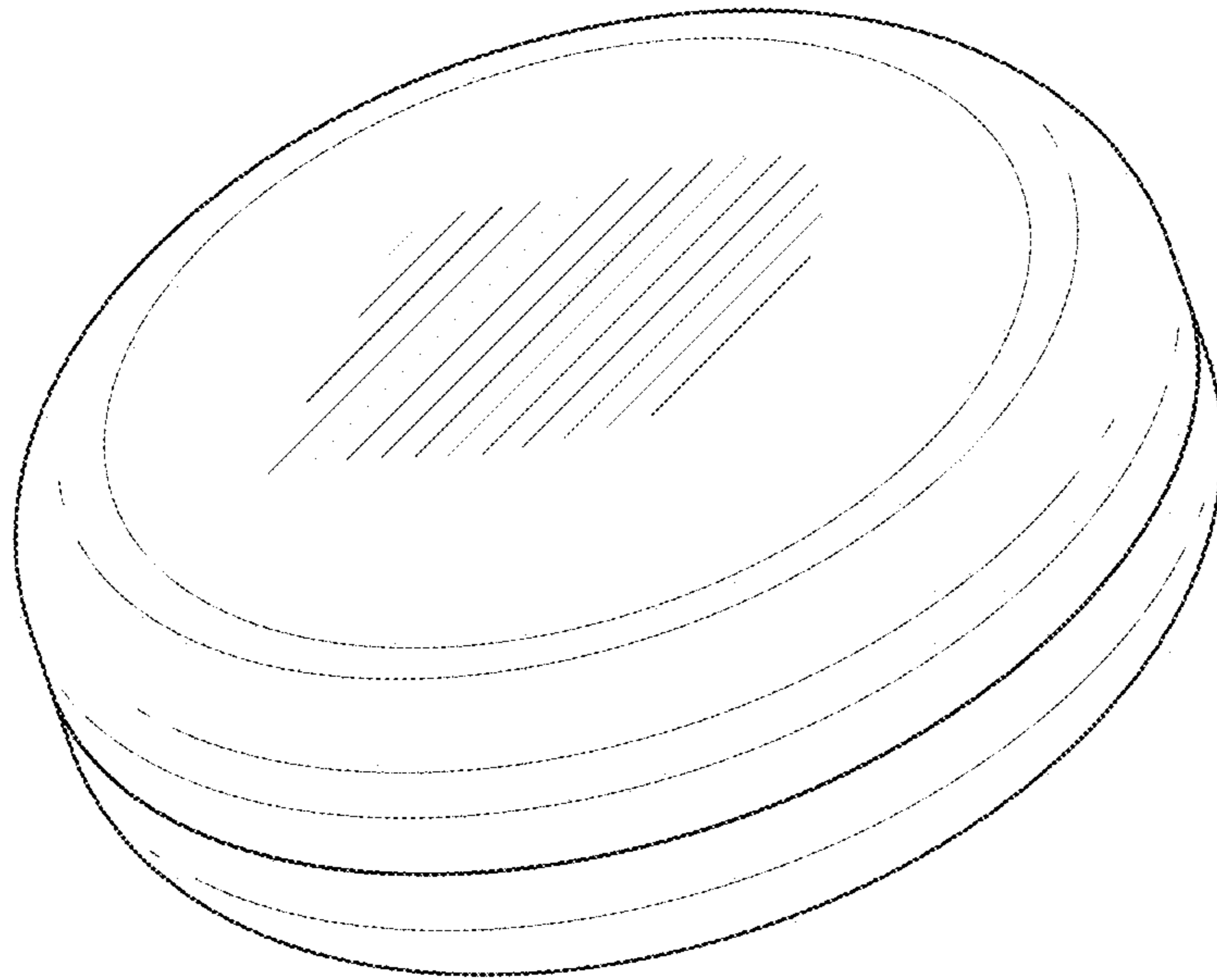


FIG. 1

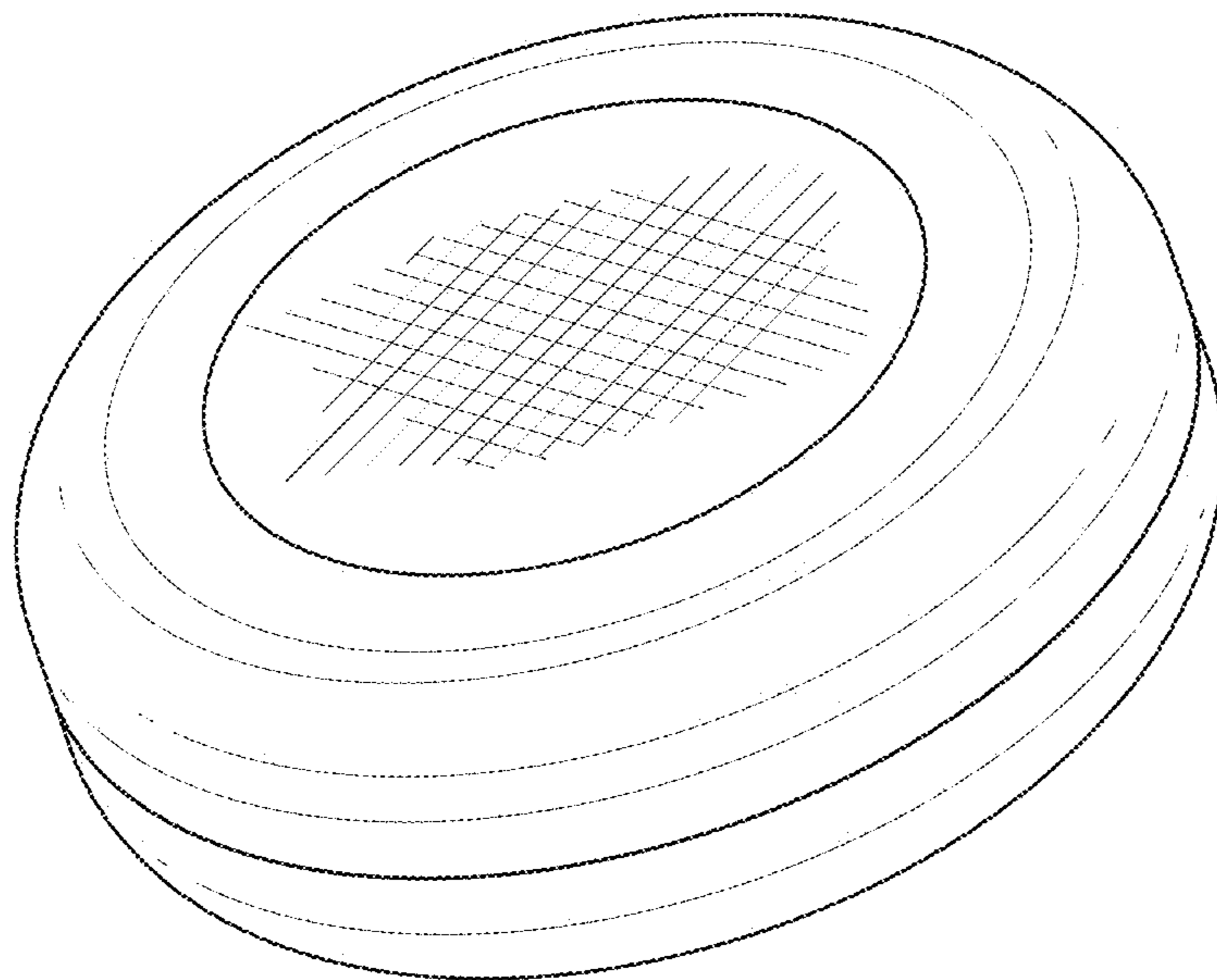


FIG. 2

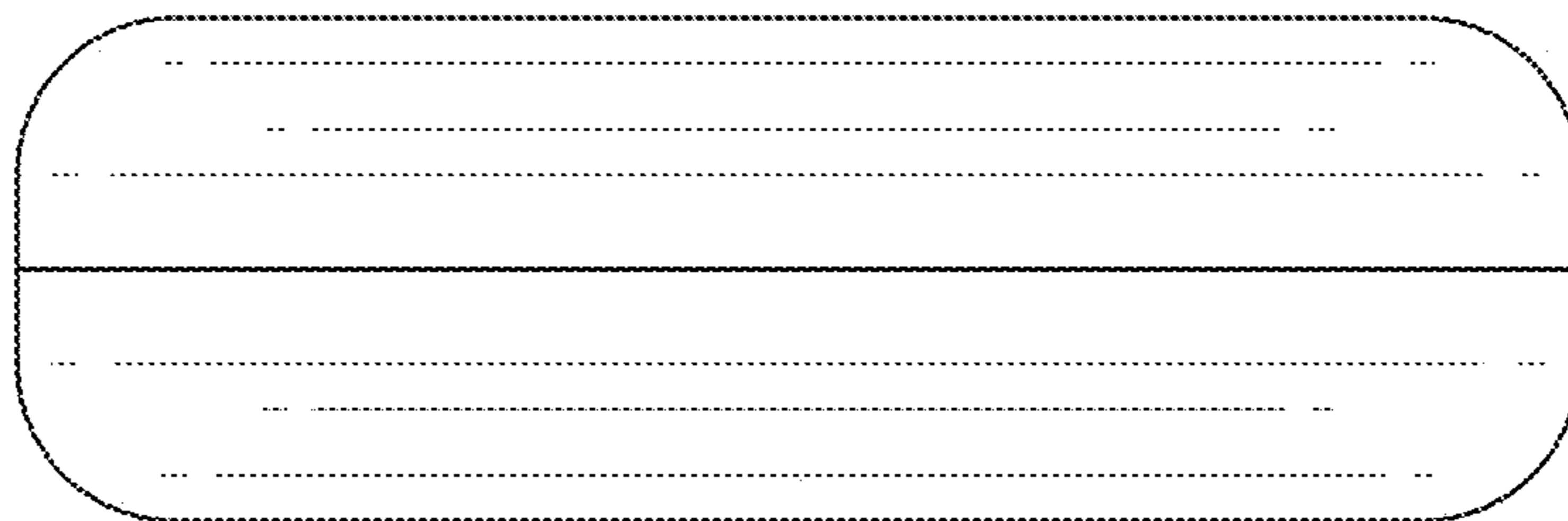


FIG. 3

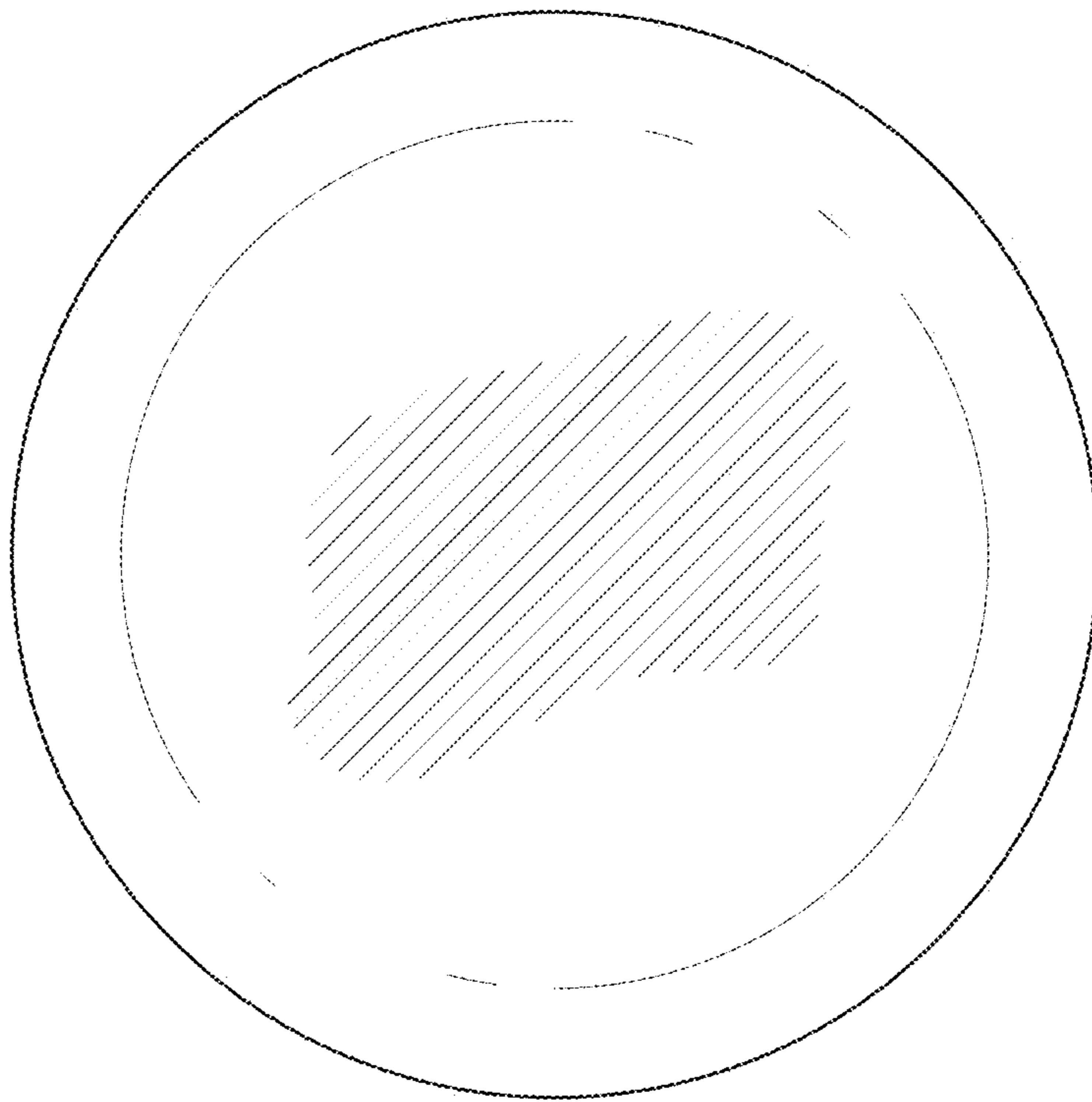


FIG. 4

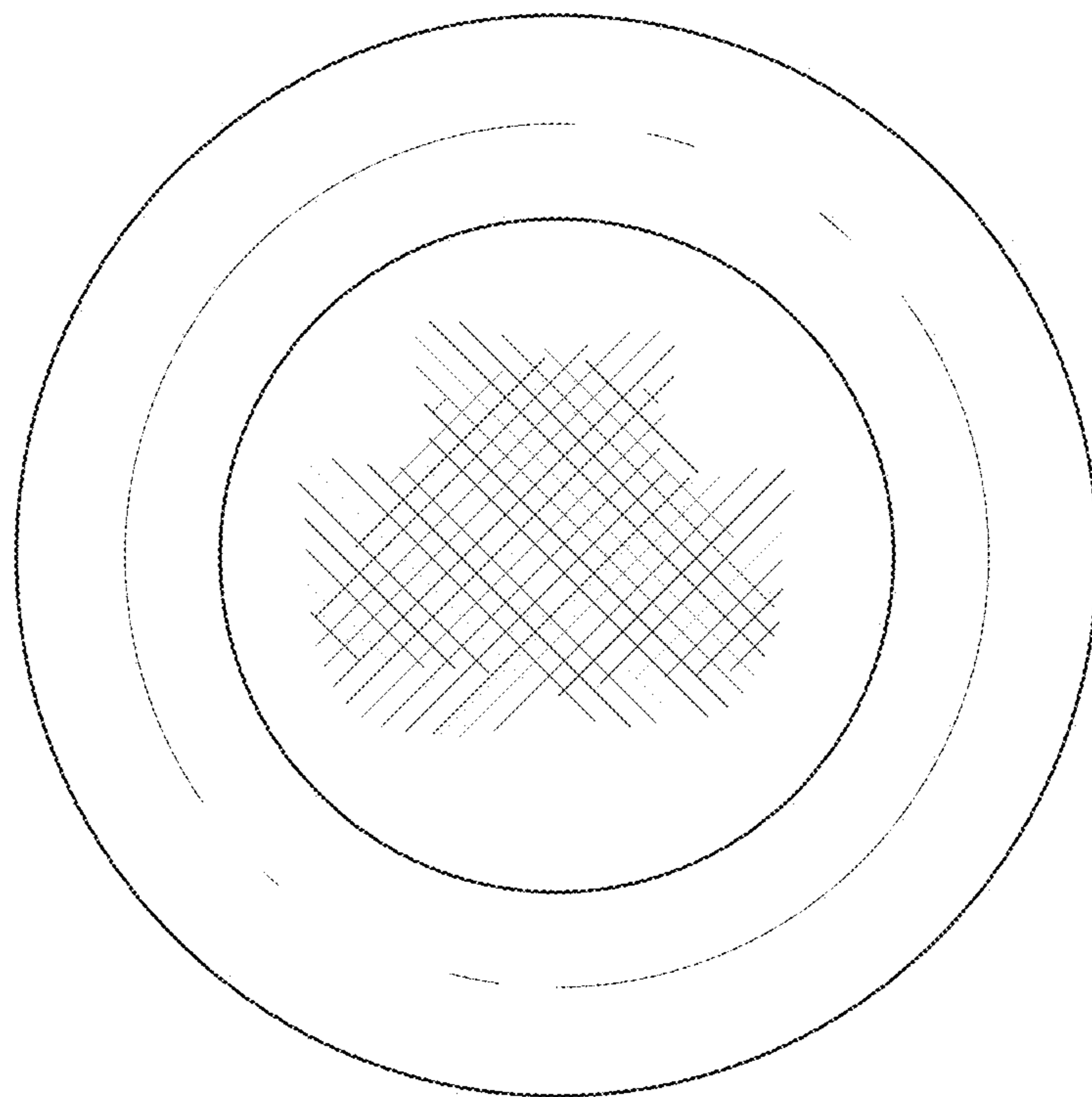


FIG. 5

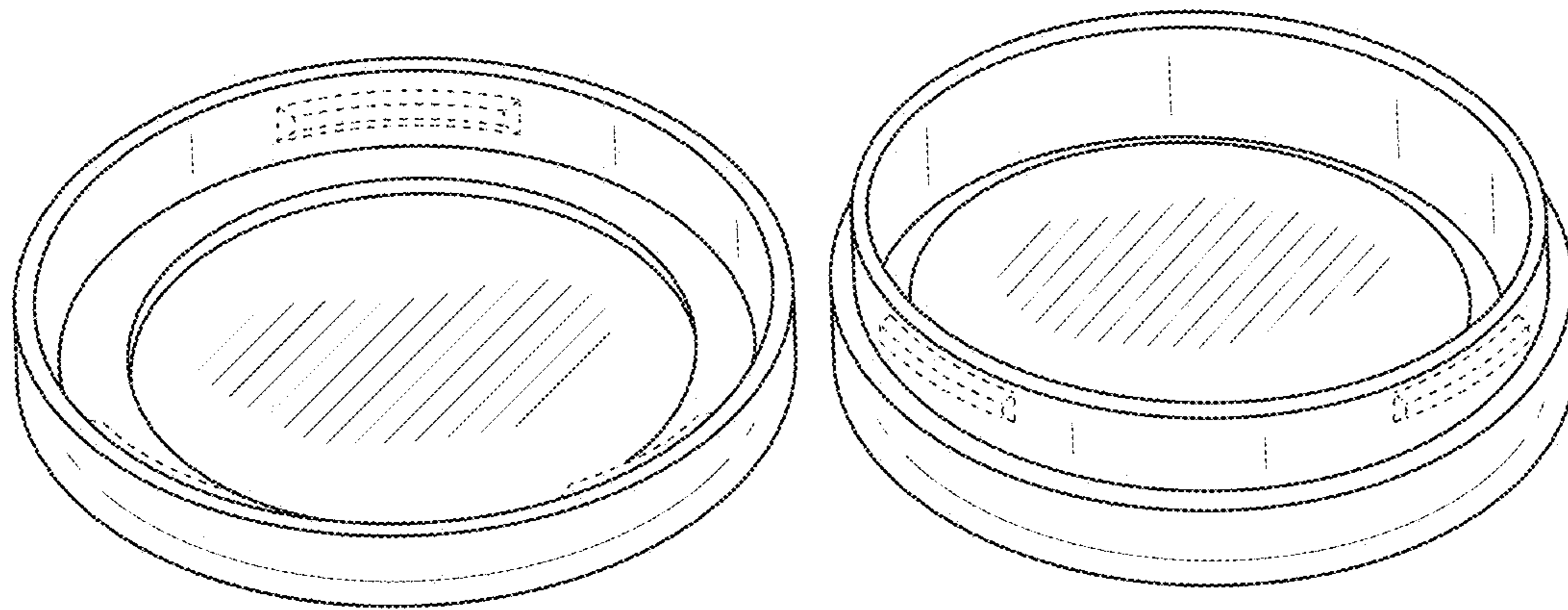


FIG. 6

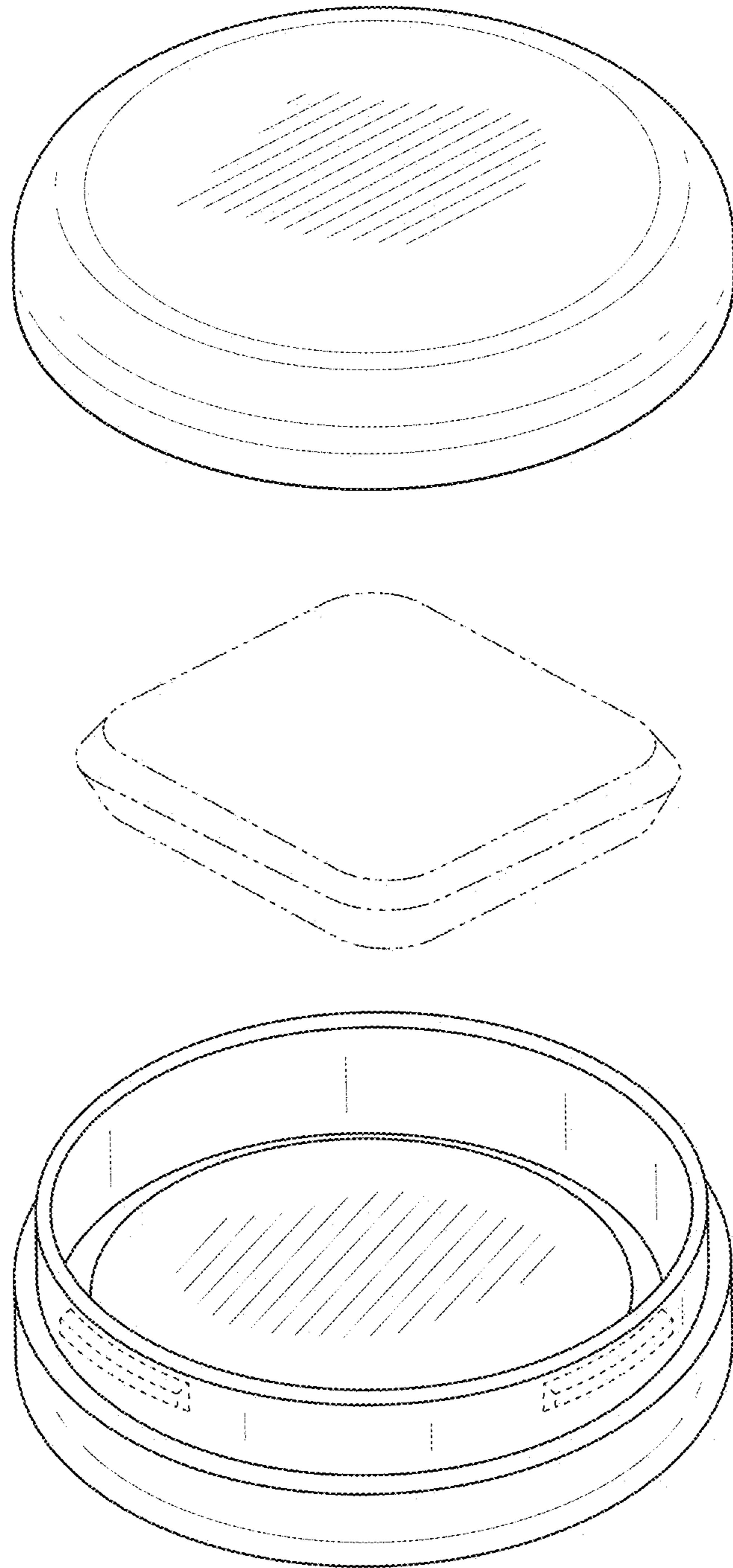


FIG. 7

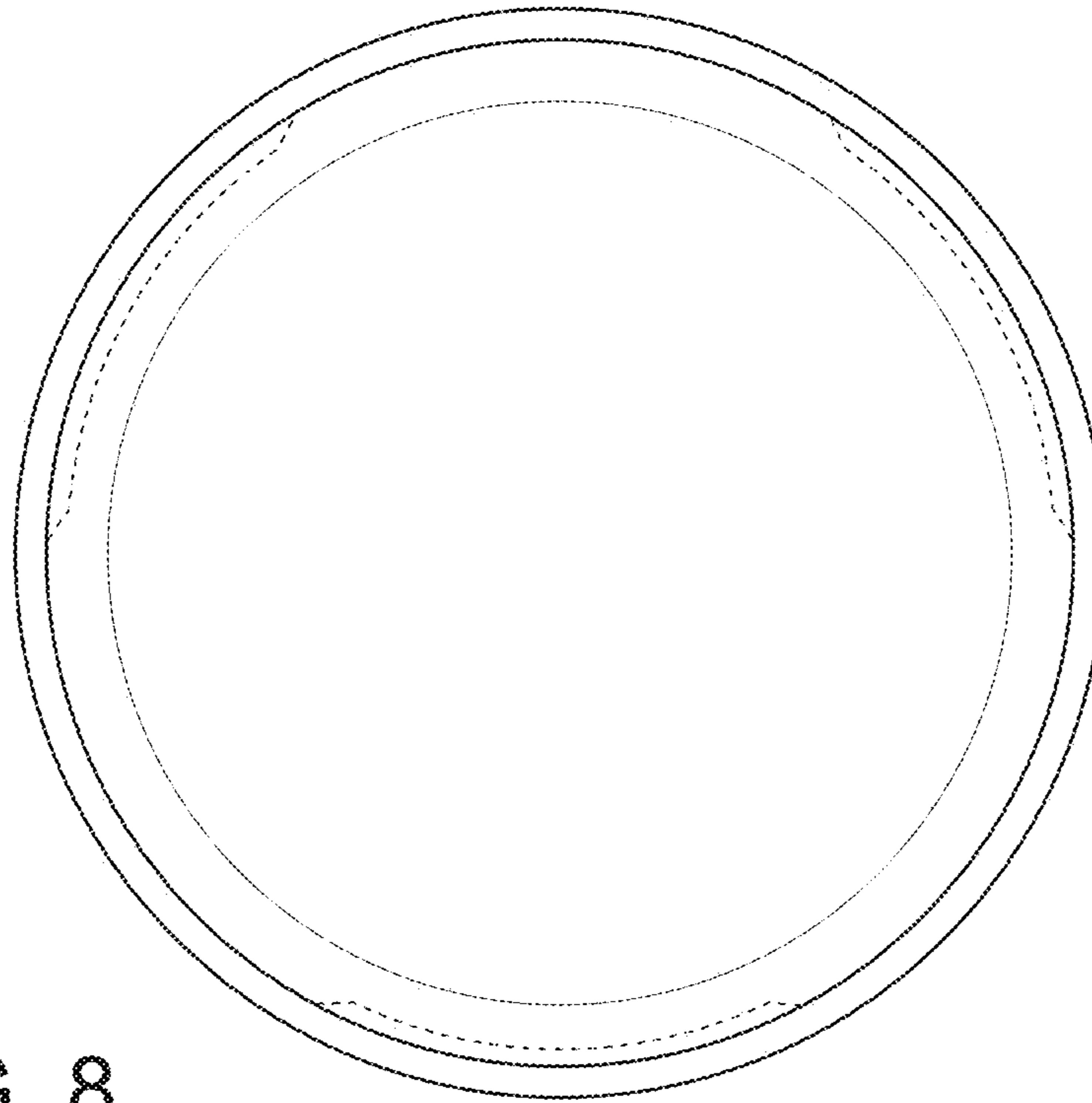


FIG. 8

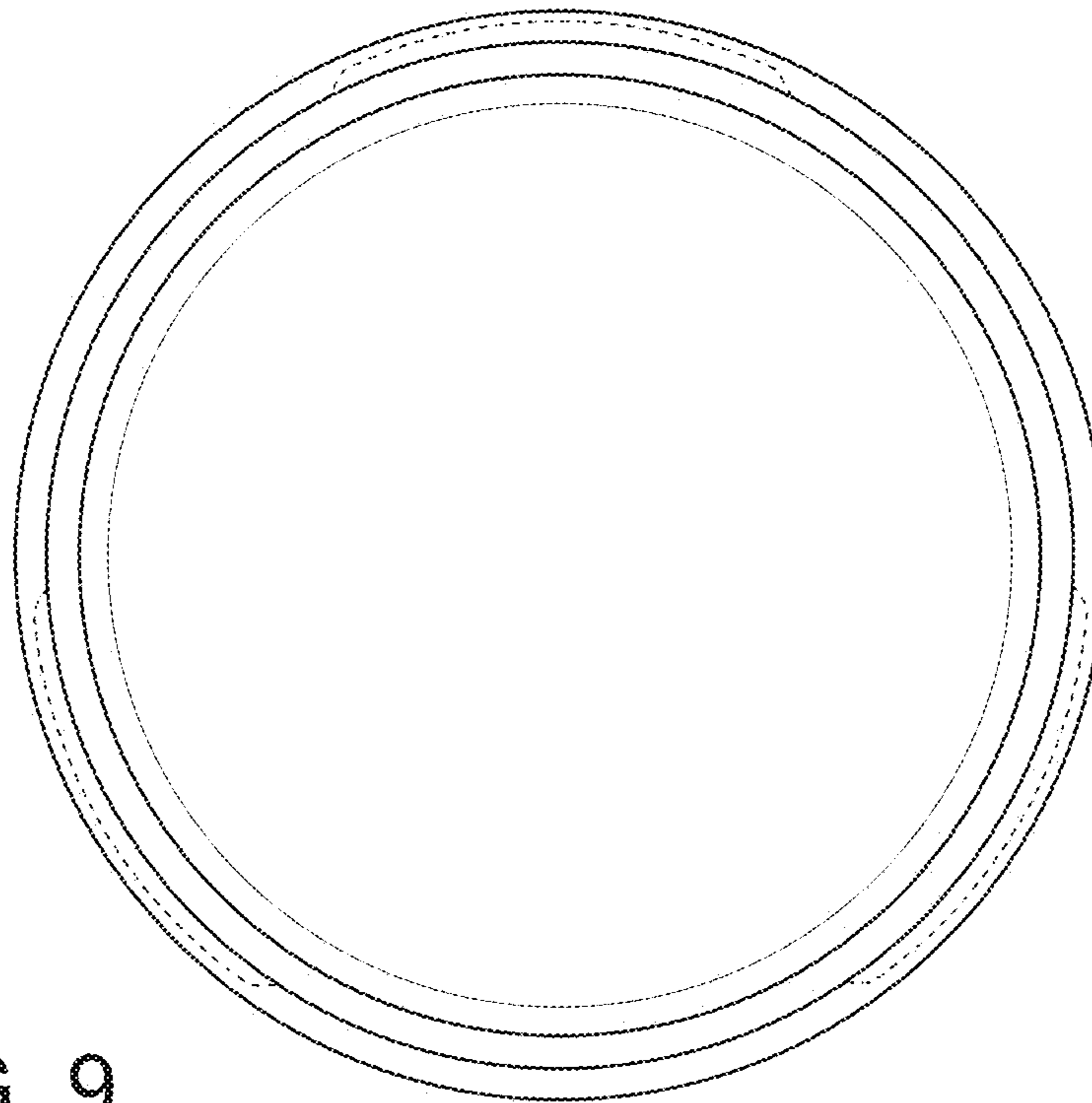


FIG. 9