



US00D970371S

(12) **United States Design Patent** (10) **Patent No.:** **US D970,371 S**
Morris et al. (45) **Date of Patent:** **** Nov. 22, 2022**

(54) **HANDHELD VIDEO BOROSCOPE**

D727,756 S * 4/2015 Stancato A61B 1/00167
D10/46

(71) Applicant: **Baker Hughes, a GE Company, LLC**,
Houston, TX (US)

9,186,048 B2 * 11/2015 Bueno A61B 1/00096
D886,652 S * 6/2020 Morris D10/78
2019/0331613 A1 * 10/2019 Morris G01N 21/954

(72) Inventors: **Bryan Christopher Morris**,
Baldwinsville, NY (US); **Gerard
Frederick Beckhusen**, Skaneateles, NY
(US); **Jason Pennell**, Skaneateles, NY
(US)

* cited by examiner

Primary Examiner — Antoine Duval Davis
(74) *Attorney, Agent, or Firm* — Mintz Levin Cohn Ferris
Glovsky and Popeo, PC; Lisa Adams

(73) Assignee: **Baker Hughes, a GE Company, LLC**,
Houston, TX (US)

(**) Term: **15 Years**

(21) Appl. No.: **29/736,574**

(22) Filed: **Jun. 1, 2020**

(57) **CLAIM**

The ornamental design for a handheld video borescope, has
shown and described.

Related U.S. Application Data

DESCRIPTION

(62) Division of application No. 29/673,486, filed on Dec.
14, 2018, now Pat. No. Des. 886,652.

(51) **LOC (13) Cl.** **10-04**

(52) **U.S. Cl.**
USPC **D10/80**

(58) **Field of Classification Search**
USPC D10/46, 78, 104.1, 80
CPC G02B 23/16; G02B 23/24; G02B 23/2476;
G02B 23/26

See application file for complete search history.

FIG. 1 is an isometric view of a handheld video borescope
having a housing with side door;
FIG. 2 is a front view of the handheld video borescope of
FIG. 1;
FIG. 3 is a back view of the handheld video borescope of
FIG. 1;
FIG. 4 is a left view of the handheld video borescope of FIG.
1;
FIG. 5 is a right view of the handheld video borescope of
FIG. 1;
FIG. 6 is a top view of the handheld video borescope r of
FIG. 1; and,
FIG. 7 is a bottom view of the handheld video borescope of
FIG. 1.

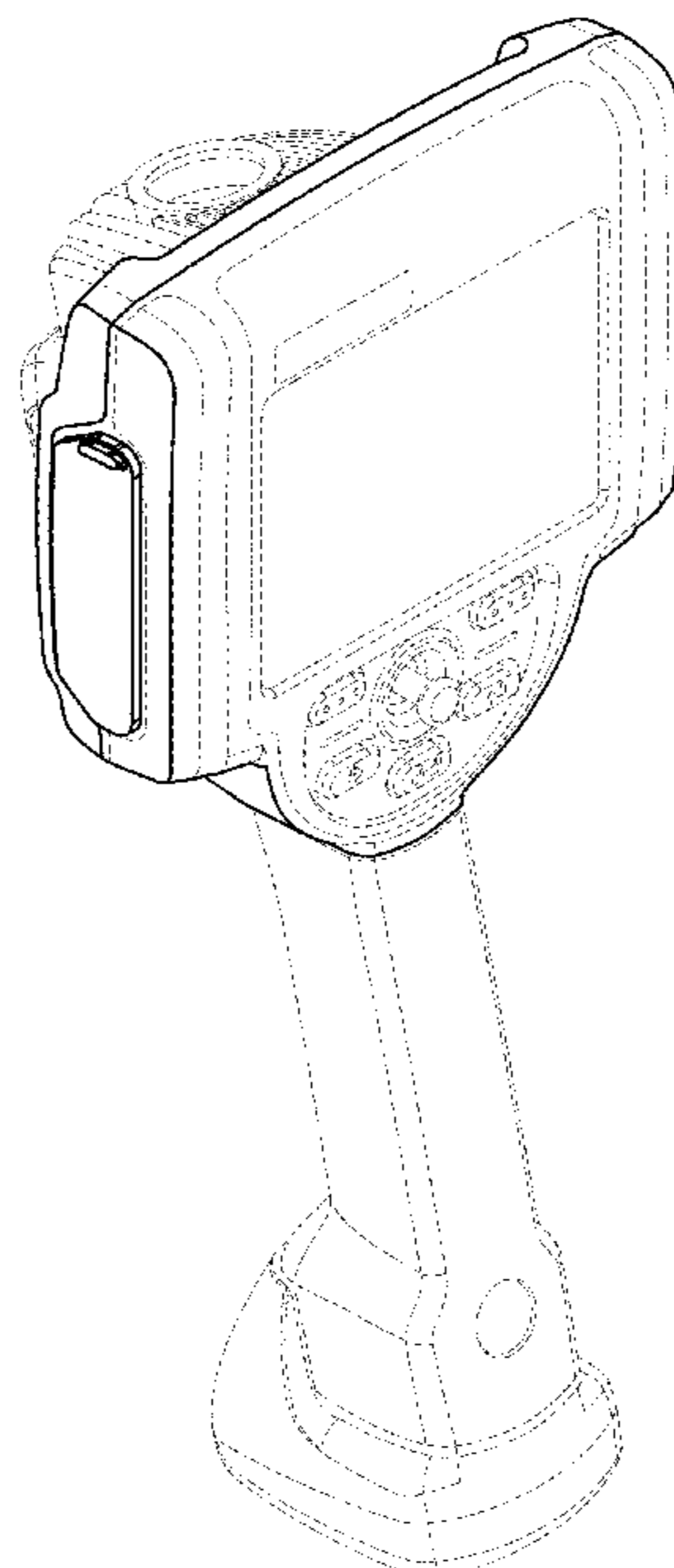
Where applicable, elements are shown in broken lines herein
for illustrative purposes only, and form no part of the
claimed design.

(56) **References Cited**

U.S. PATENT DOCUMENTS

7,902,990 B2 * 3/2011 Delmonico H02J 7/0048
340/636.1
8,970,934 B2 * 3/2015 Yang G02F 1/29
359/240

1 Claim, 6 Drawing Sheets



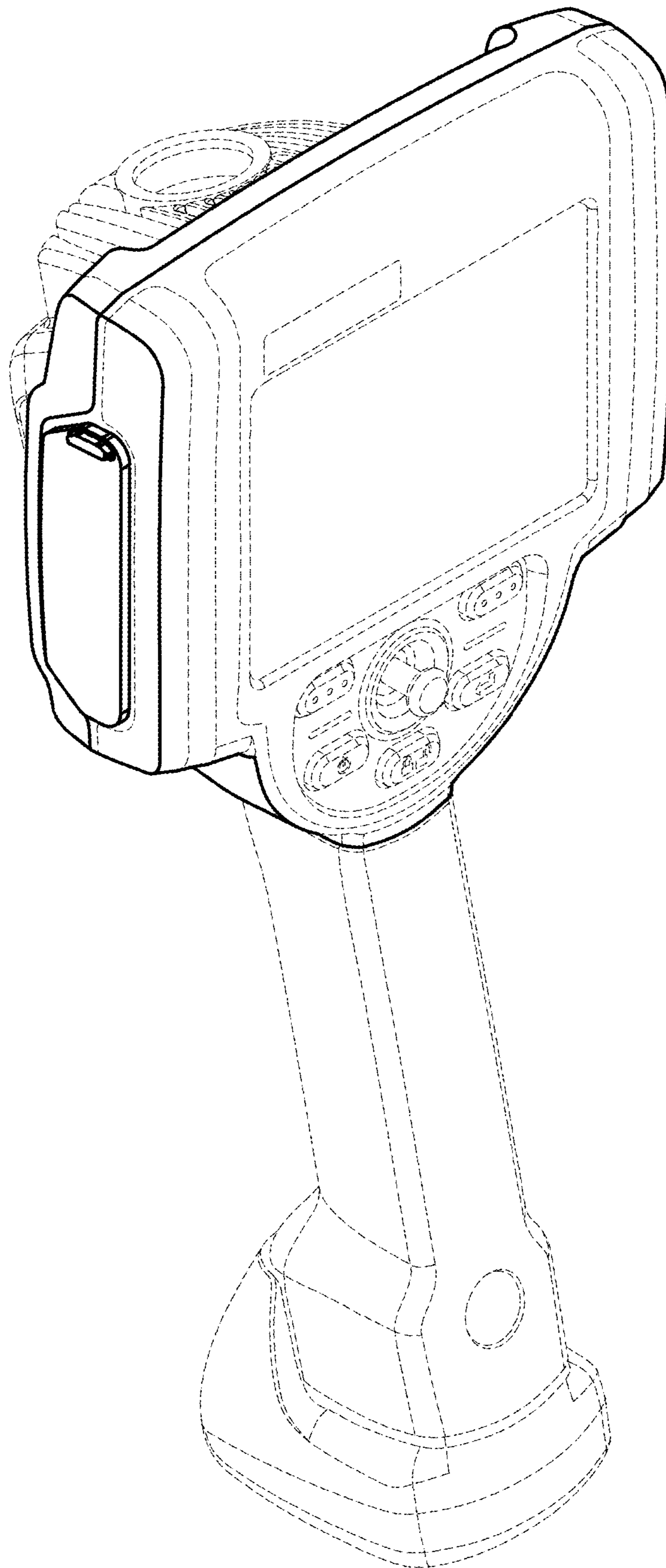


FIG. 1

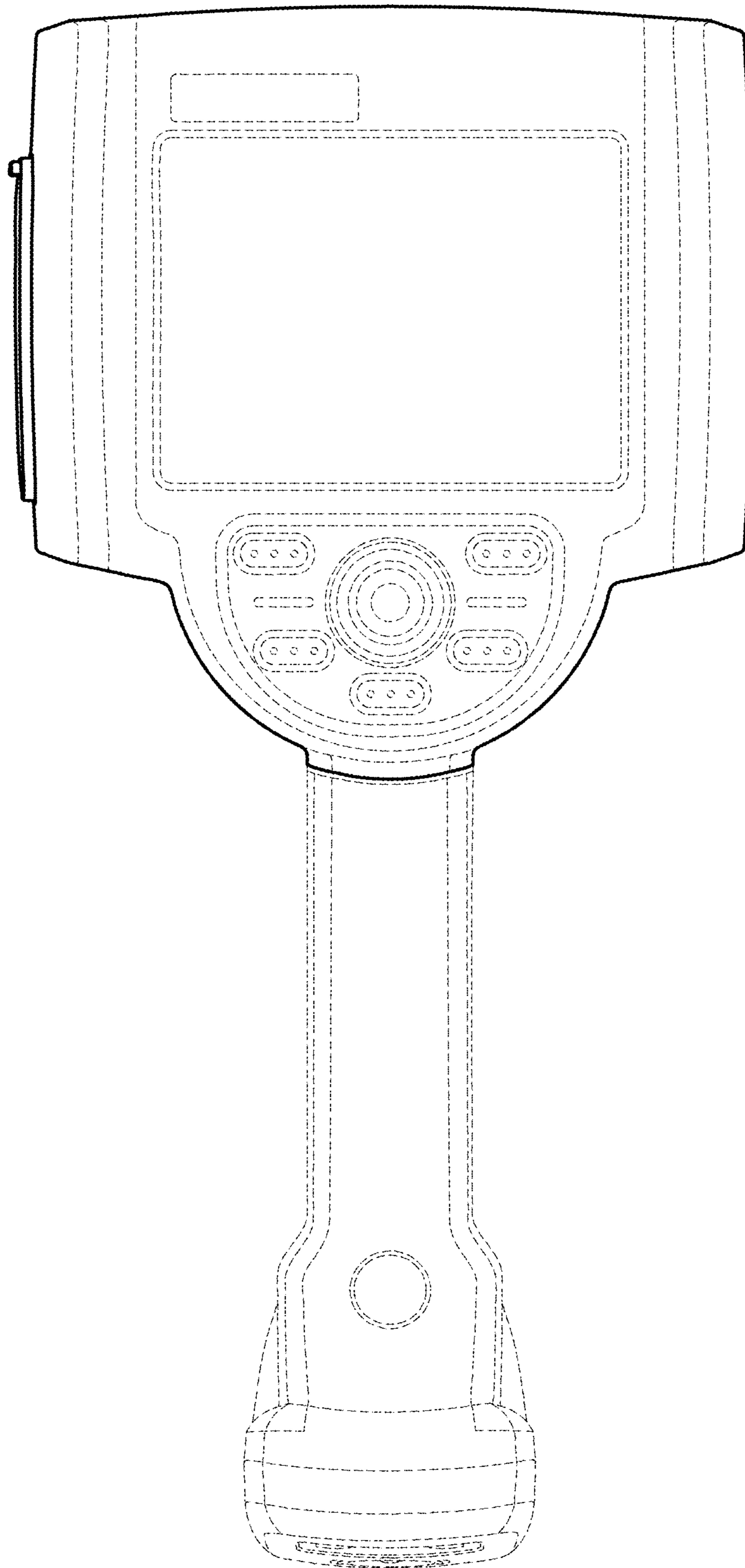


FIG. 2

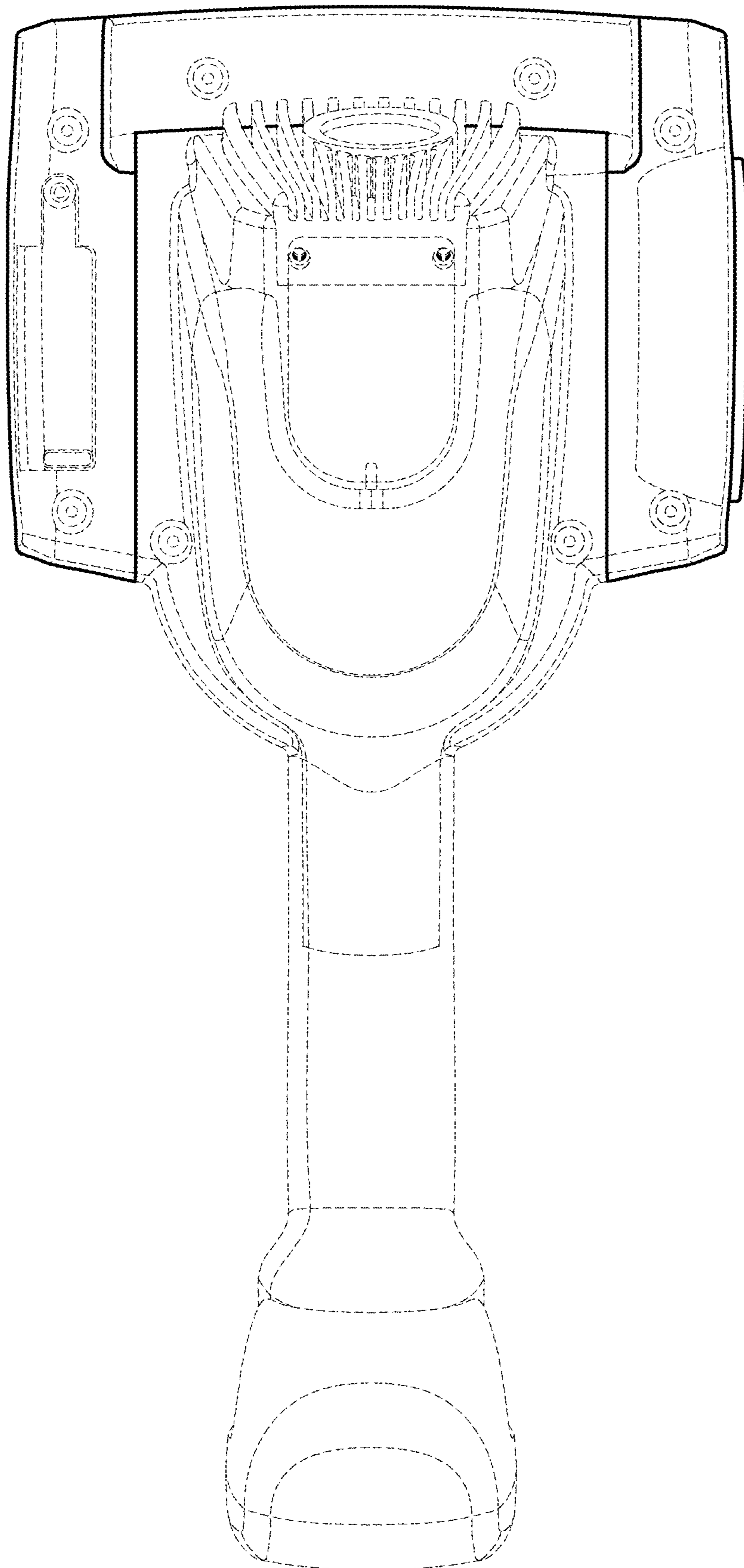


FIG. 3

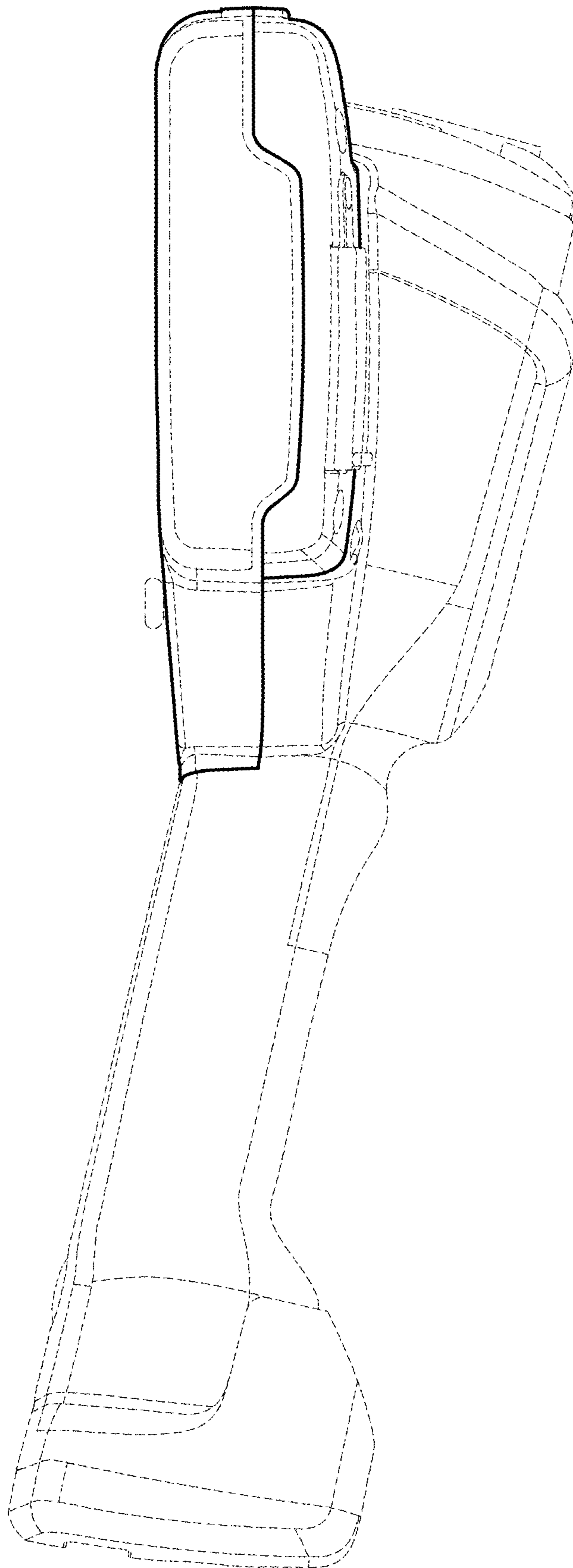


FIG. 4

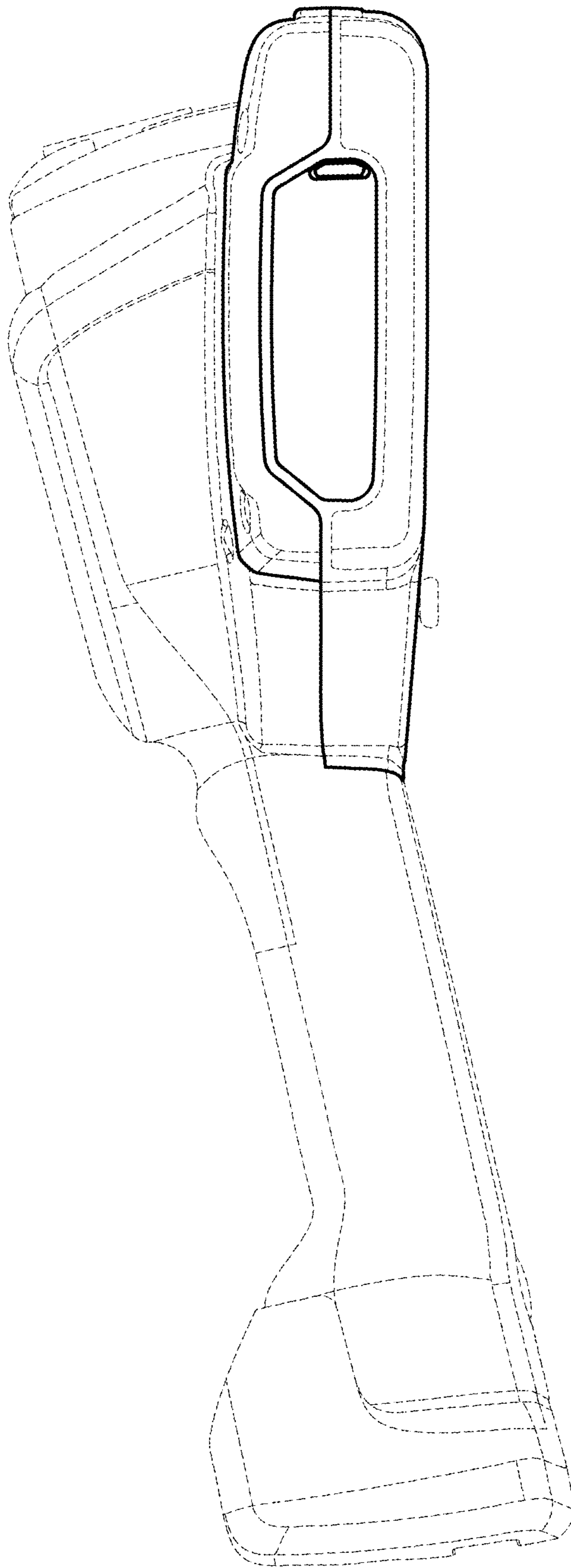


FIG. 5

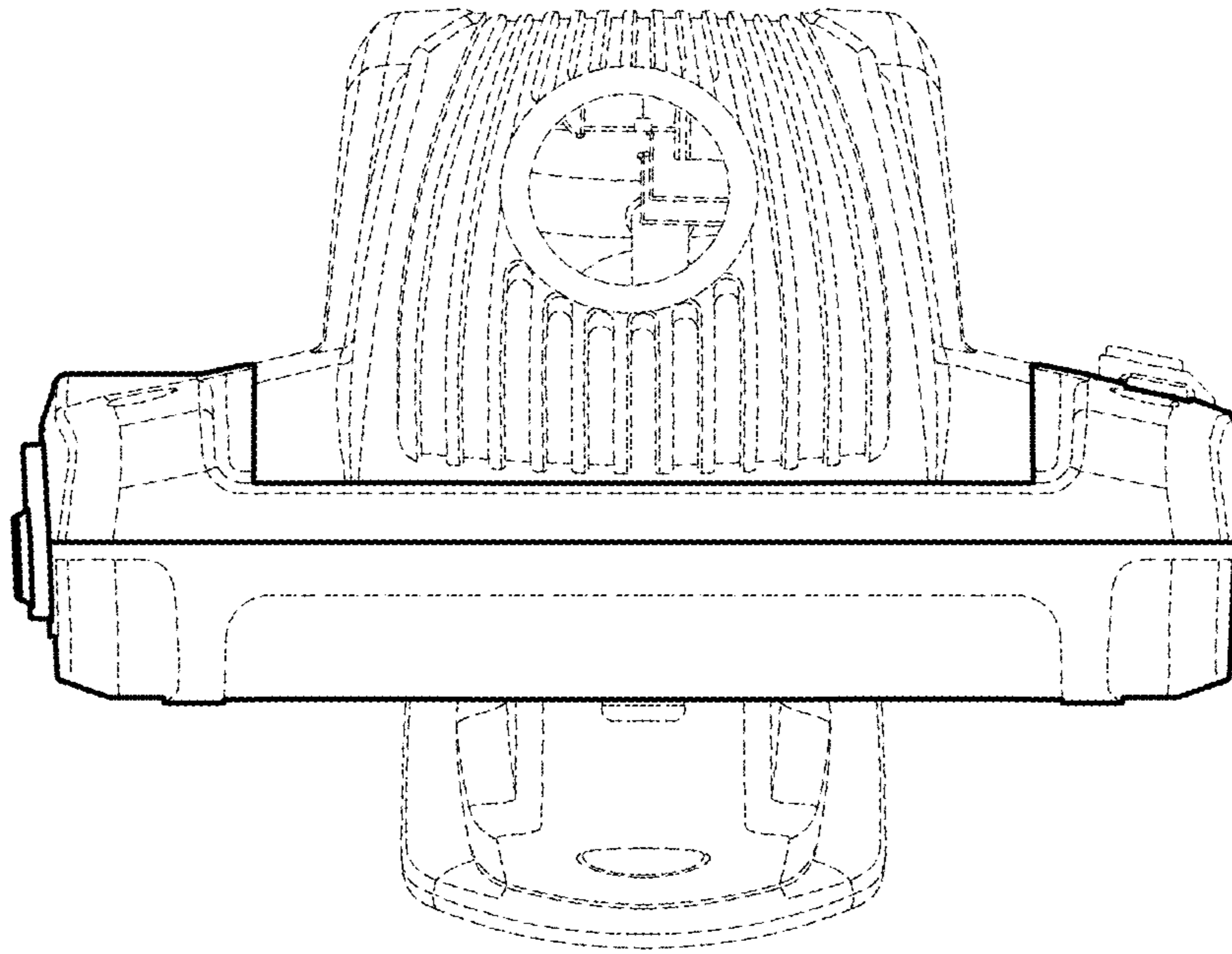


FIG. 6

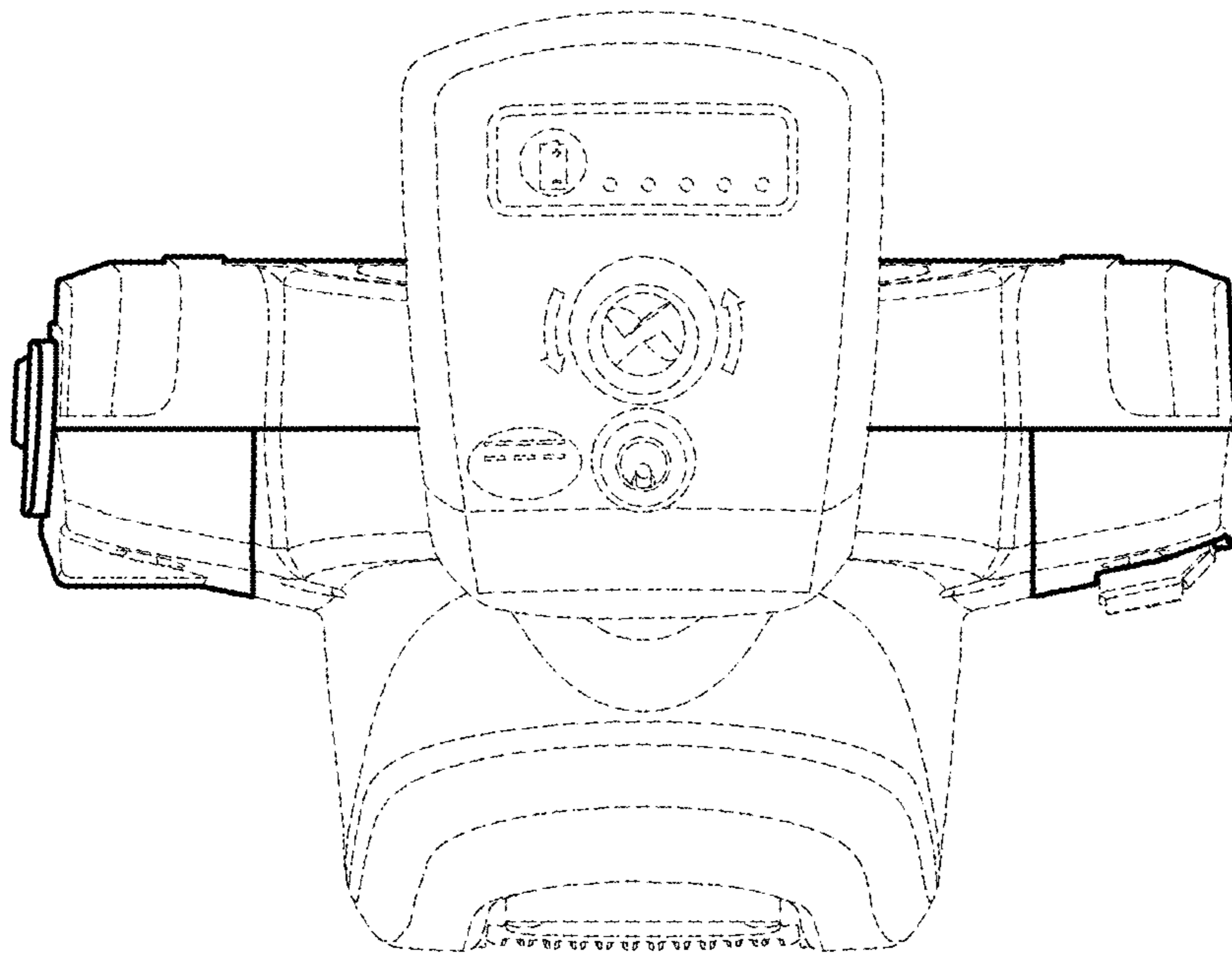


FIG. 7