



US00D970365S

(12) **United States Design Patent** (10) **Patent No.:** **US D970,365 S**  
**Deng** (45) **Date of Patent:** **\*\* Nov. 22, 2022**

(54) **METAL DETECTOR**

FOREIGN PATENT DOCUMENTS

(71) Applicant: **Shanghai Tianxun Electronic Equipment Co., Ltd**, Shanghai (CN)

CN 214674483 U \* 11/2021  
CN 215219195 U \* 12/2021

(72) Inventor: **Junhong Deng**, Shanghai (CN)

\* cited by examiner

(\*\*) Term: **15 Years**

*Primary Examiner* — Katherine Glennon

(21) Appl. No.: **29/845,661**

(57) **CLAIM**

(22) Filed: **Jul. 8, 2022**

The ornamental design for a metal detector, as shown and described.

(51) **LOC (13) Cl.** ..... **10-04**

(52) **U.S. Cl.**  
USPC ..... **D10/47**

**DESCRIPTION**

(58) **Field of Classification Search**  
USPC ..... D10/46, 47, 75, 78, 80  
CPC ... G01V 3/00; G01V 3/02; G01V 3/17; G01V 3/108; G01V 11/00; G01V 3/10; G01V 3/104; G01V 3/107; G01V 3/15; G01V 3/105; G01V 3/08; G01V 3/165; G01V 9/00; G01V 3/12; G01V 3/081  
See application file for complete search history.

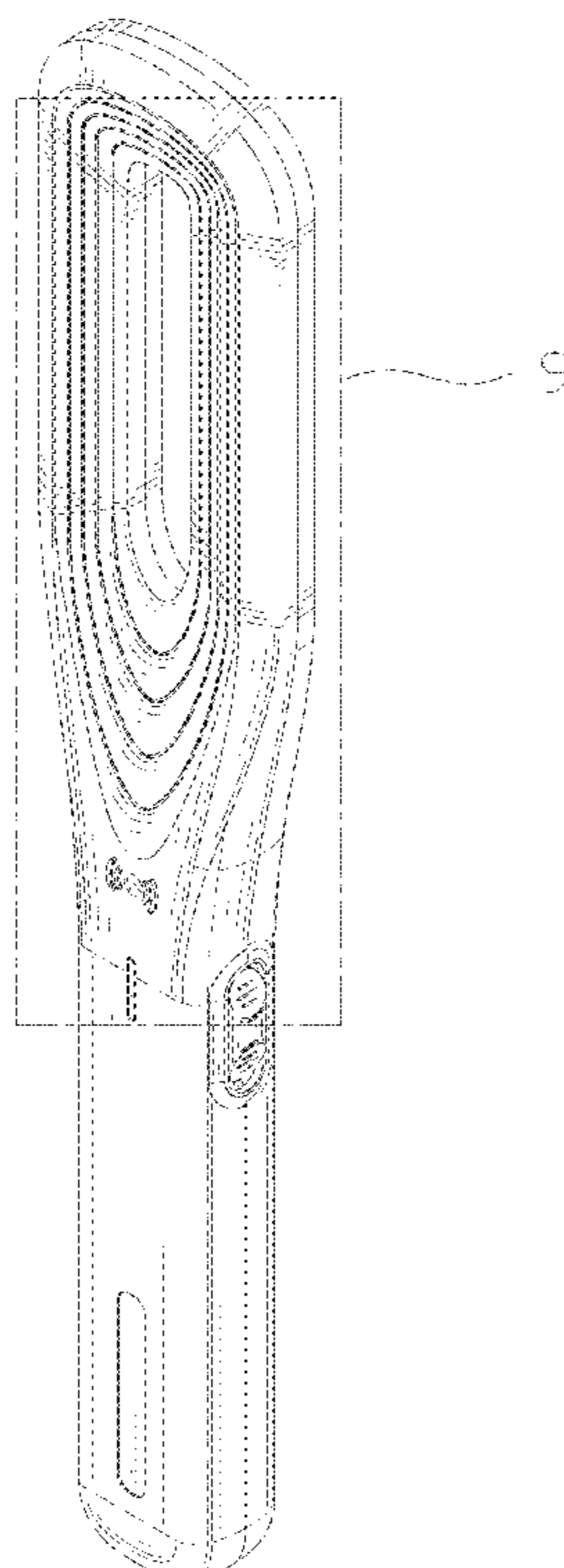
FIG. 1 is a front and top perspective view of a metal detector, showing my new design;  
FIG. 2 is a rear and bottom perspective view thereof;  
FIG. 3 is a front elevation view thereof;  
FIG. 4 is a rear elevation view thereof;  
FIG. 5 is a left side elevation view thereof;  
FIG. 6 is a right side elevation view thereof;  
FIG. 7 is a top plan view thereof;  
FIG. 8 is a bottom plan view thereof;  
FIG. 9 is an enlarged view of a portion indicated with numeric 9 in FIG. 1; and,  
FIG. 10 is an enlarged view of a portion indicated with numeric 10 in FIG. 2.  
The dashed lines in the figures illustrate portions of the metal detector that form no part of the claimed design. The dash dot dash lines in FIGS. 1, 2, 9 and 10 are for the purpose of depicting the boundary lines of the enlarged views and form no part of the claimed design.

(56) **References Cited**

U.S. PATENT DOCUMENTS

D459,245 S *	6/2002	Power	.....	D10/47
D459,246 S *	6/2002	Power	.....	D10/47
D614,981 S *	5/2010	Junes	.....	D10/70
D673,258 S *	12/2012	Jowett	.....	D24/108
D694,130 S *	11/2013	Manneschi	.....	D10/47
D719,853 S *	12/2014	Manneschi	.....	D10/103
D842,710 S *	3/2019	Deng	.....	D10/47
D918,064 S	5/2021	Deng		
2015/0035521 A1 *	2/2015	Manneschi	.....	G01V 3/081 324/228

**1 Claim, 10 Drawing Sheets**



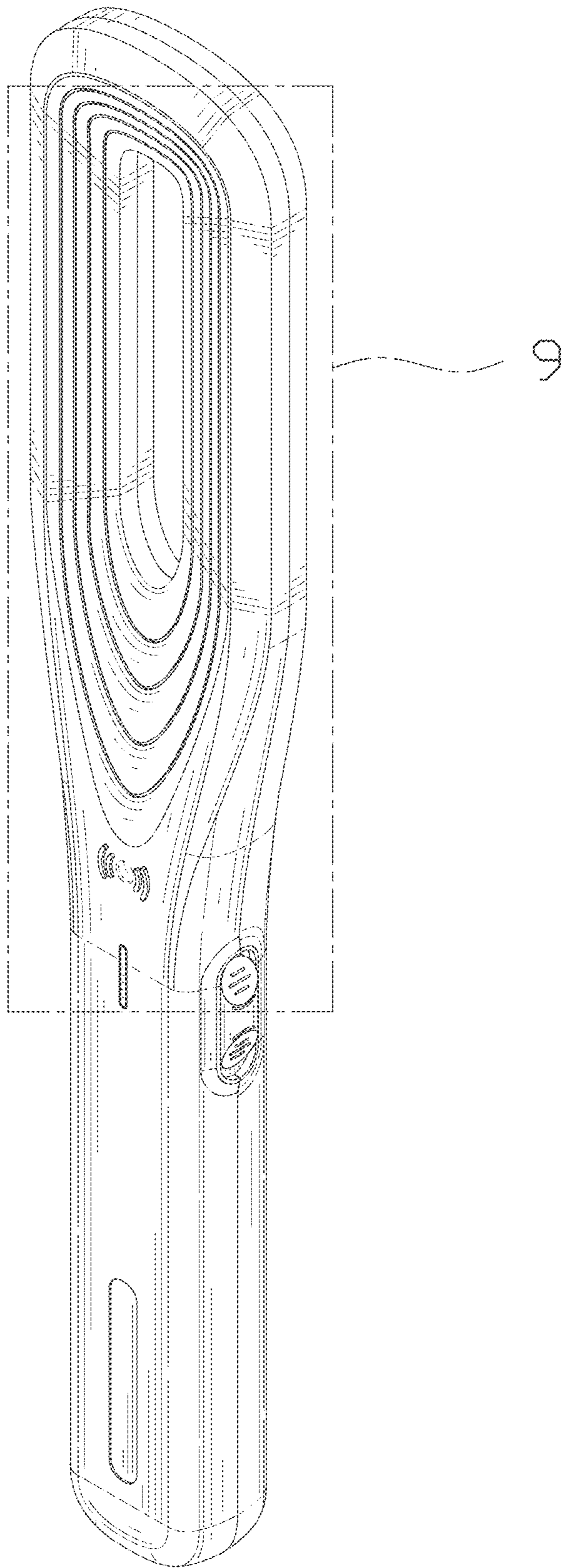


FIG. 1

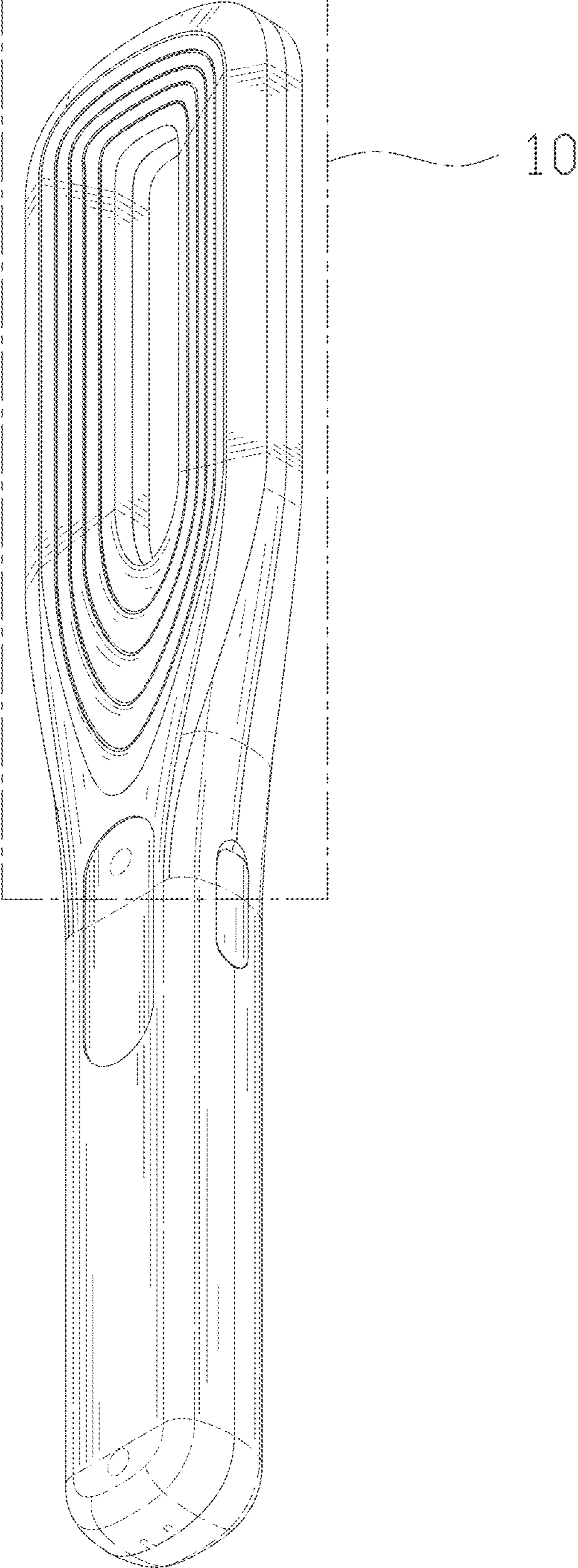


FIG. 2

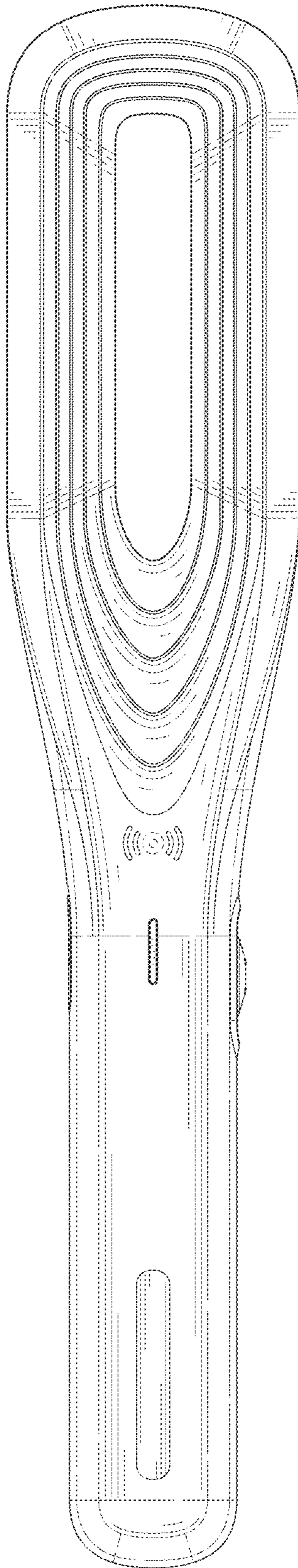


FIG. 3

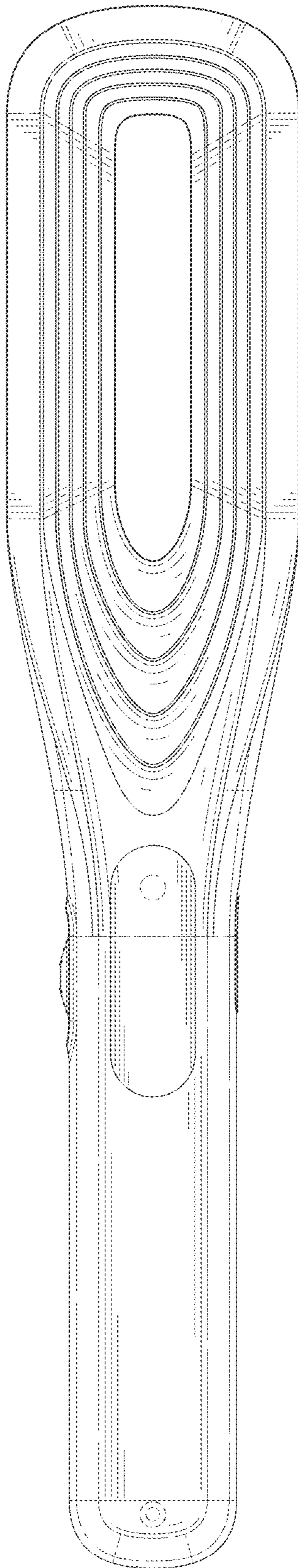


FIG. 4

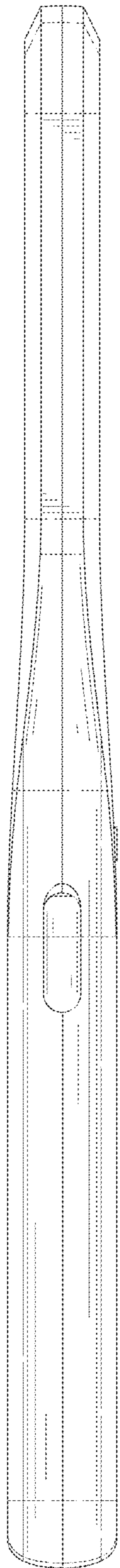


FIG. 5



FIG. 6

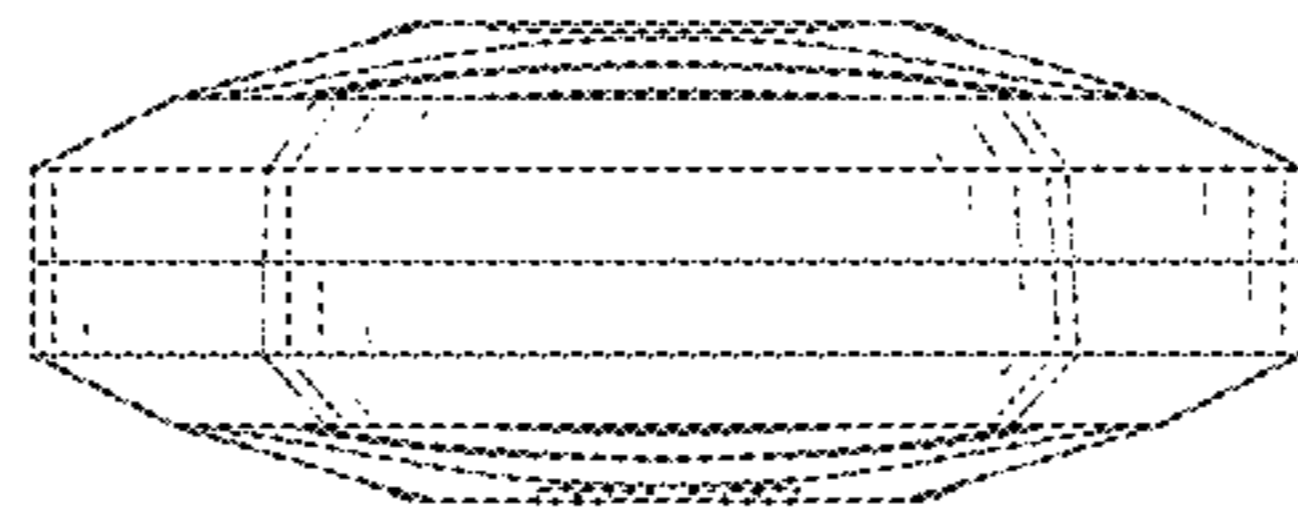


FIG. 7



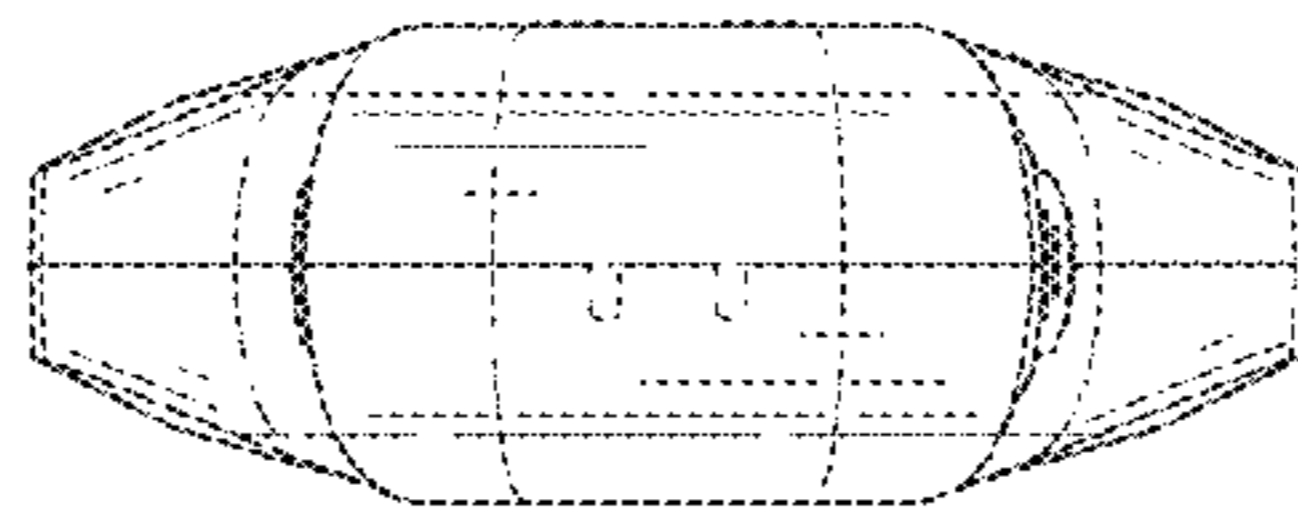


FIG. 8



FIG. 9

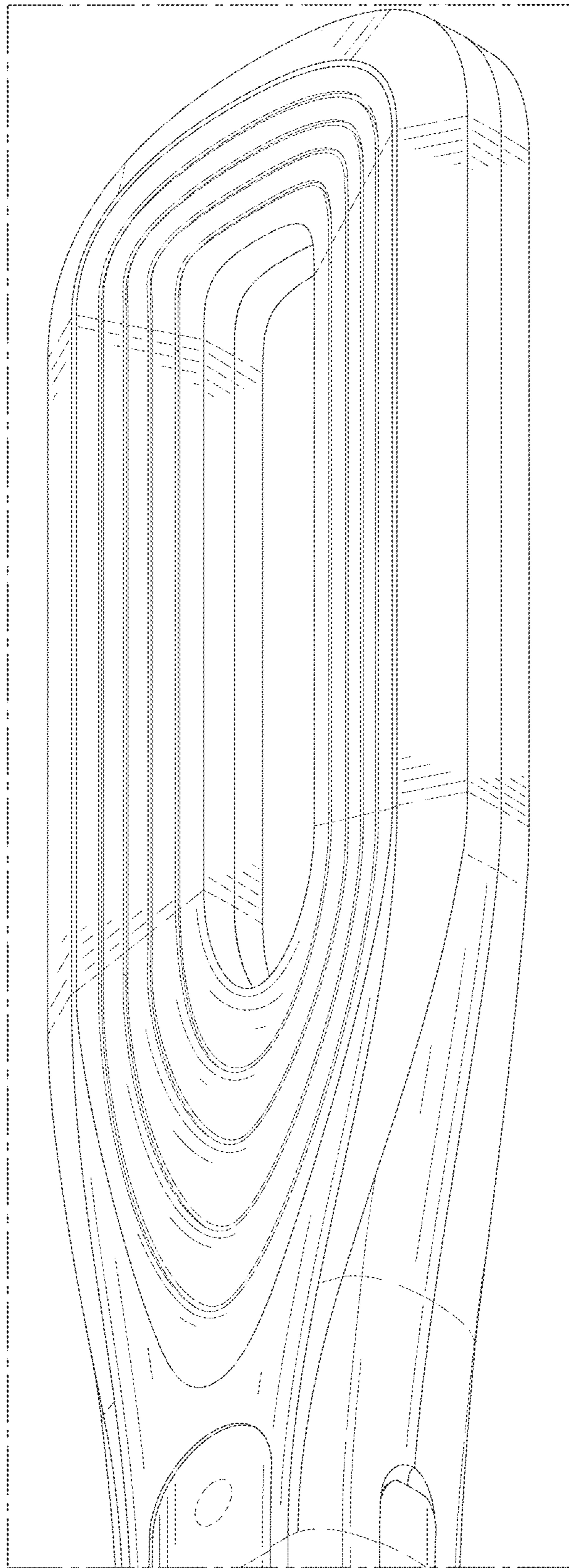


FIG. 10