



US00D970364S

(12) **United States Design Patent** (10) **Patent No.:** **US D970,364 S**  
**Ye** (45) **Date of Patent:** **\*\* Nov. 22, 2022**

(54) **METAL DETECTOR**

(71) Applicant: **SHANGHAI TYLER ELECTRONIC TECHNOLOGY CO., LTD.**, Shanghai (CN)

(72) Inventor: **Yu Ye**, Shanghai (CN)

(73) Assignee: **SHANGHAI TYLER ELECTRONIC TECHNOLOGY CO., LTD.**, Shanghai (CN)

(\*\*) Term: **15 Years**

(21) Appl. No.: **29/839,894**

(22) Filed: **May 24, 2022**

(51) **LOC (13) Cl.** ..... **10-04**

(52) **U.S. Cl.**  
USPC ..... **D10/47**

(58) **Field of Classification Search**  
USPC ..... D10/47

CPC ..... G01B 21/08; G01B 11/002; G01B 7/26;  
G01B 5/24; G01B 11/00; G01B 21/16;  
G01V 3/10; G01V 3/087; G01V 3/081;  
G01V 3/165; G01V 3/088; G01V 3/40;

(Continued)

(56) **References Cited**

**U.S. PATENT DOCUMENTS**

D844,462 S \* 4/2019 Griffin ..... D10/47  
D881,035 S \* 4/2020 Zhang ..... D10/47

(Continued)

**FOREIGN PATENT DOCUMENTS**

CN 305365945 \* 3/2019  
CN 305686480 \* 6/2019

(Continued)

**OTHER PUBLICATIONS**

Vannect Power, Metal Detector, Date first available Aug. 6, 2022, [online]retrieved Sep. 13, 2022, available from [https://www.amazon.com/dp/B09Q5M4BZ5/ref=sspa\\_dk\\_detail\\_0?pf\\_rd\\_p=bff6e147-54ad-4be3-b4ea-ec19ea6167f7&pf\\_rd\\_r=WA1XA1MMMT67DANNQMFY&pd\\_rd\\_wg=XRkOj&pd\\_rd\\_w=EnM8K&content-id=amzn1.sym.bff6e147-](https://www.amazon.com/dp/B09Q5M4BZ5/ref=sspa_dk_detail_0?pf_rd_p=bff6e147-54ad-4be3-b4ea-ec19ea6167f7&pf_rd_r=WA1XA1MMMT67DANNQMFY&pd_rd_wg=XRkOj&pd_rd_w=EnM8K&content-id=amzn1.sym.bff6e147-) (Year: 2022).\*

(Continued)

*Primary Examiner* — Keli L Hill

*Assistant Examiner* — Sara S Sahneh

(57) **CLAIM**

The ornamental design for a metal detector, as shown and described.

**DESCRIPTION**

FIG. 1 is a perspective view of a metal detector showing my new design;

FIG. 2 is another perspective view thereof;

FIG. 3 is a front elevational view thereof;

FIG. 4 is a rear elevational view thereof;

FIG. 5 is a left side elevational view thereof;

FIG. 6 is a right side elevational view thereof;

FIG. 7 is a top plan view thereof;

FIG. 8 is a bottom plan view thereof;

FIG. 9 is a perspective view of the metal detector where the metal detector is in a configuration of use;

FIG. 10 is an enlarged view of portion 10 shown in FIG. 1;

FIG. 11 is an enlarged view of portion 11 shown in FIG. 1;

FIG. 12 is an enlarged view of portion 12 shown in FIG. 1;

FIG. 13 is an enlarged view of portion 13 shown in FIG. 2;

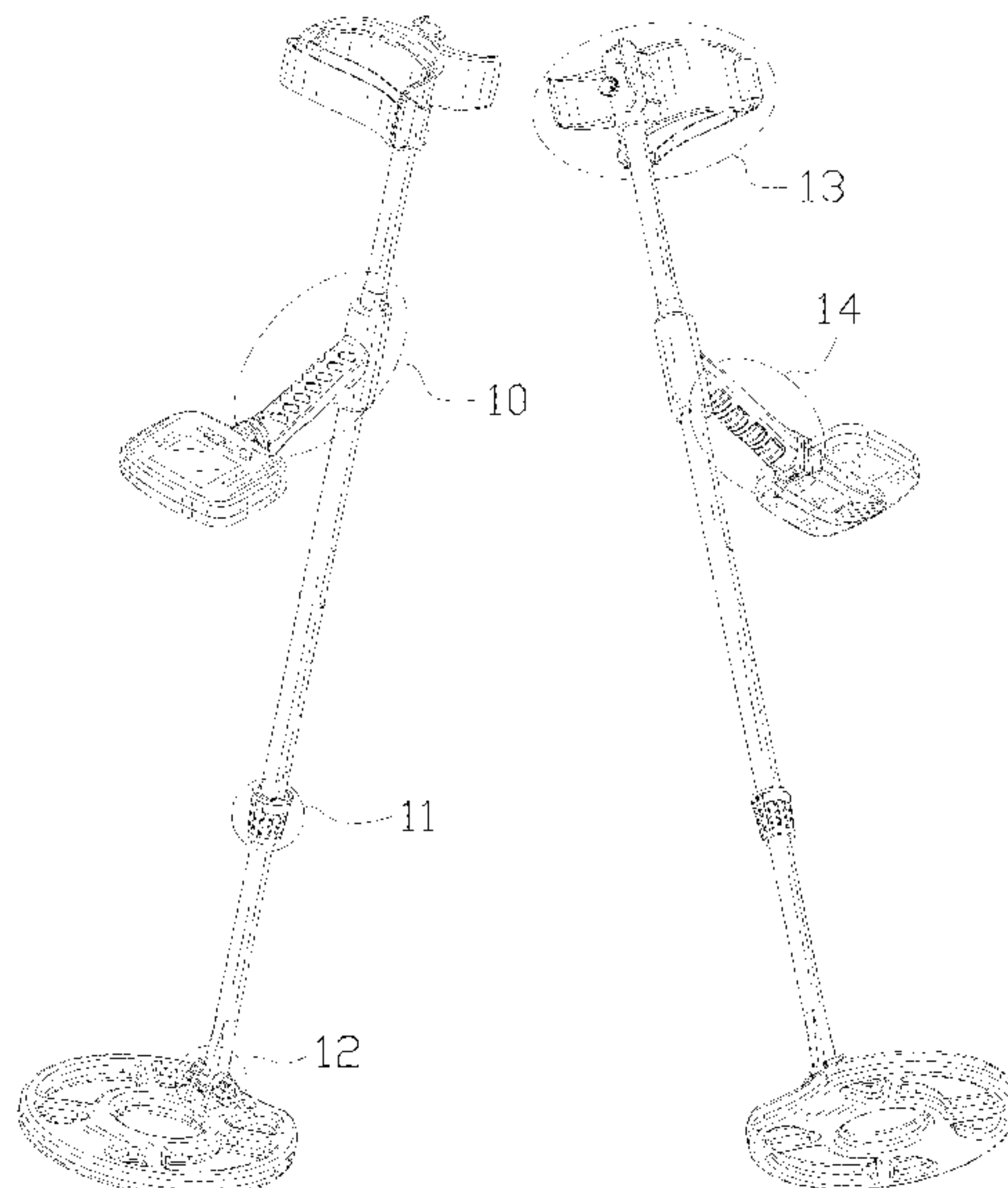
and,

FIG. 14 is an enlarged view of portion 14 shown in FIG. 2.

The dash-dash broken lines in the drawings depict portions of the metal detector that form no part of the claimed design.

The dot-dash broken lines represent boundaries of the enlarged portions and form no part of the claimed design.

**1 Claim, 14 Drawing Sheets**



(58) **Field of Classification Search**

CPC . G01V 3/08; G01V 3/15; G01V 3/104; G01V 3/105; G01V 3/17; G06K 9/6215; G01C 19/00; G01P 15/08; G06V 10/143; H04W 4/029; H04W 4/02; G08B 21/24  
See application file for complete search history.

FOREIGN PATENT DOCUMENTS

CN	305686494	*	7/2019
CN	6094764	*	7/2020
EM	007983176-0001	*	6/2020
GB	9008188908-0007	*	9/2020
GB	6122528	*	3/2021

(56) **References Cited**

U.S. PATENT DOCUMENTS

D881,037	S *	4/2020	Zhang	.....	D10/47
D885,205	S *	5/2020	Deng	.....	D10/47
D885,206	S *	5/2020	Deng	.....	D10/47
D889,998	S *	7/2020	Qin	.....	D10/47
D889,999	S *	7/2020	Qin	.....	D10/47
D907,513	S *	1/2021	Qin	.....	D10/47
D929,875	S *	9/2021	Deng	.....	D10/47
D942,279	S	2/2022	Zhang		
D942,870	S	2/2022	Ebinger		
D959,300	S *	8/2022	Zhang	.....	D10/47
2009/0009173	A1 *	1/2009	Loubet	.....	G01V 3/15 324/327
2014/0139210	A1 *	5/2014	Walsh	.....	G01V 3/10 324/239
2020/0348436	A1 *	11/2020	Onlek	.....	G06K 9/6289

OTHER PUBLICATIONS

Dr.Ötek Store,Metal Detector,Date first available Sep. 12, 2022,[online]retrieved Sep. 13, 2022,available from [https://www.amazon.com/DR-ÖTEK-Metal-Detector-Adults-Waterproof/dp/B0B3D4J6LP/ref=sr\\_1\\_38?c=ts&keywords=Metal%2BDetectors&qid=1663098934&s=lawn-garden&sr=1-38&ts\\_id=554036&th=1](https://www.amazon.com/DR-ÖTEK-Metal-Detector-Adults-Waterproof/dp/B0B3D4J6LP/ref=sr_1_38?c=ts&keywords=Metal%2BDetectors&qid=1663098934&s=lawn-garden&sr=1-38&ts_id=554036&th=1) (Year: 2022).\*

Ulhund,Metal Detectors, Date first available Jun. 4, 2022, [online]retrieved Sep. 20, 2022,available from [https://www.amazon.com/Upgraded-Metal-Detectors-Adults-Waterproof/dp/B09ZYHFPNW/ref=sr\\_1\\_17\\_sspa?c=ts&keywords=Metal%2BDetectors&qid=1663098673&s=lawn-garden&sr=1-17-spons&ts\\_id=554036&th=1](https://www.amazon.com/Upgraded-Metal-Detectors-Adults-Waterproof/dp/B09ZYHFPNW/ref=sr_1_17_sspa?c=ts&keywords=Metal%2BDetectors&qid=1663098673&s=lawn-garden&sr=1-17-spons&ts_id=554036&th=1) (Year: 2022).\*

\* cited by examiner

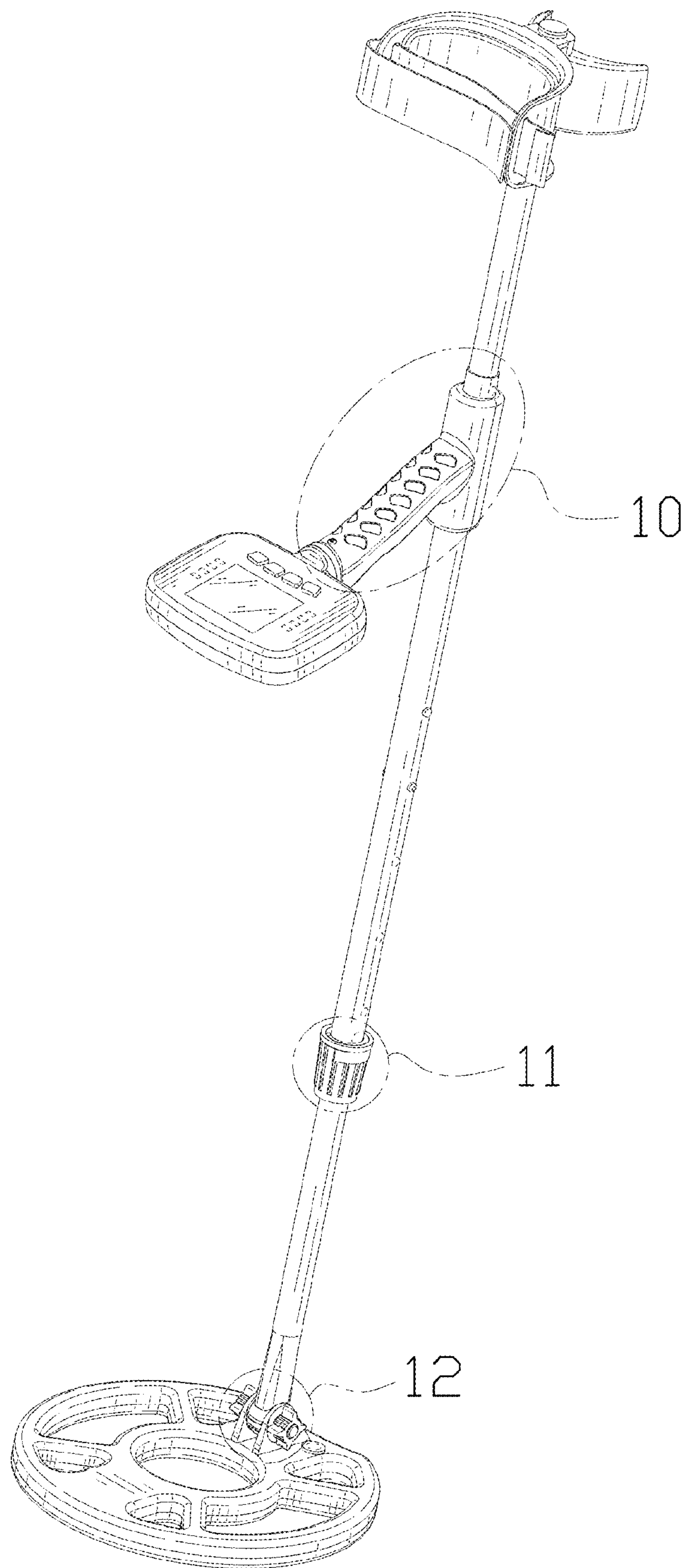


FIG. 1

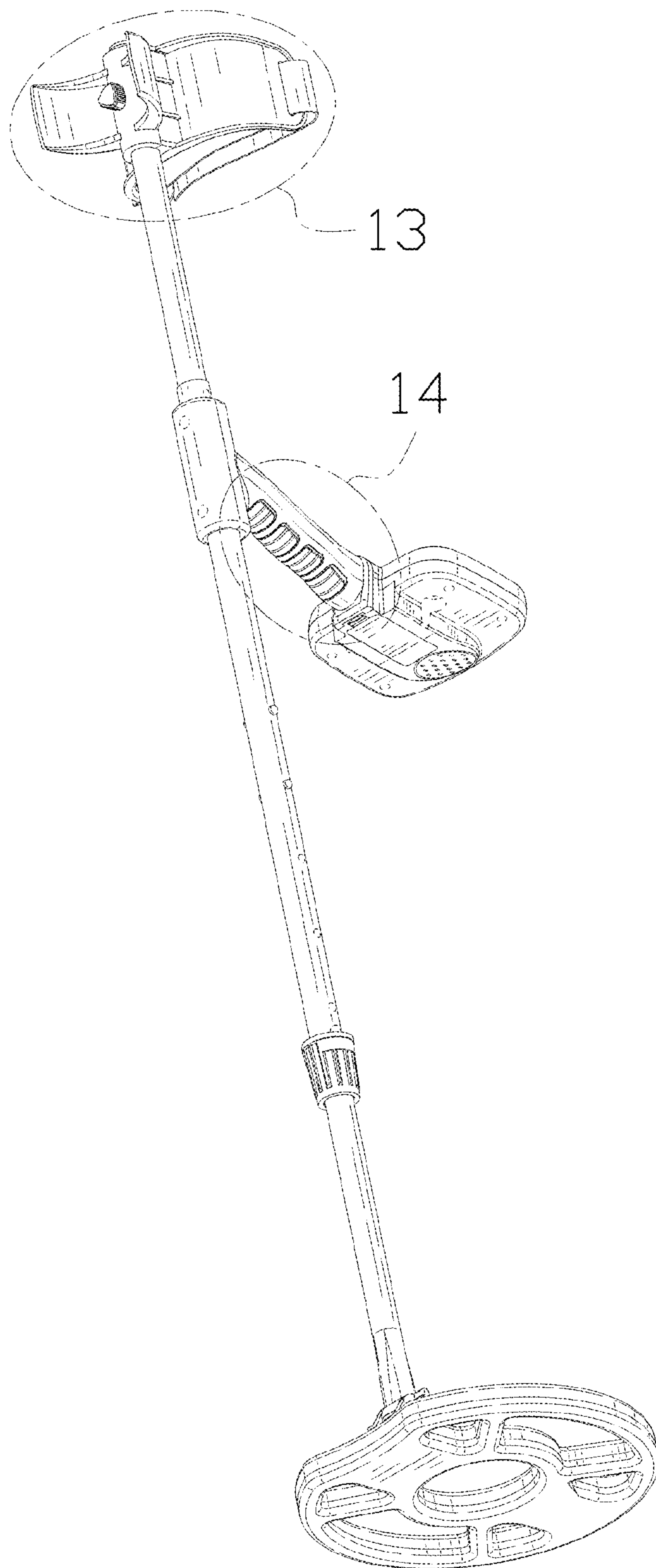


FIG. 2



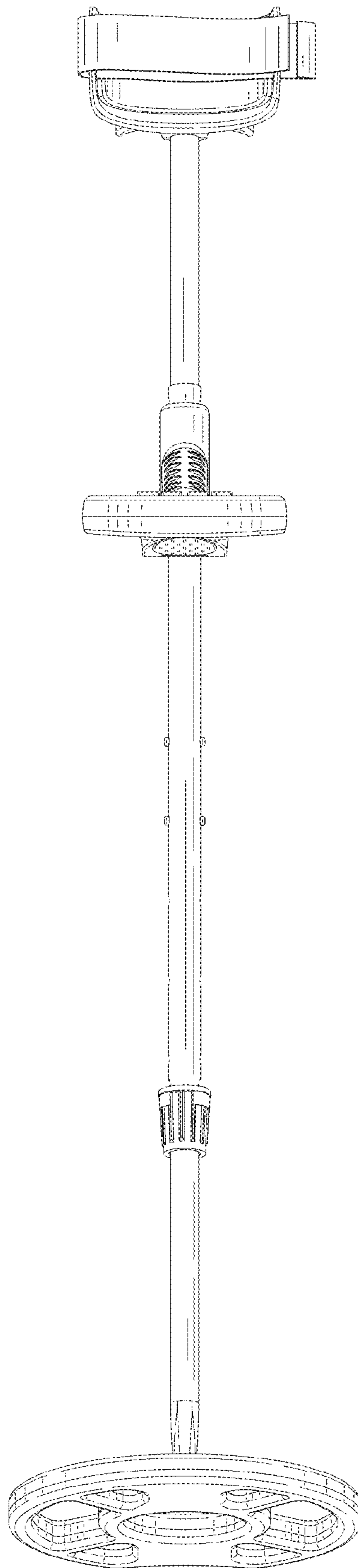


FIG. 3

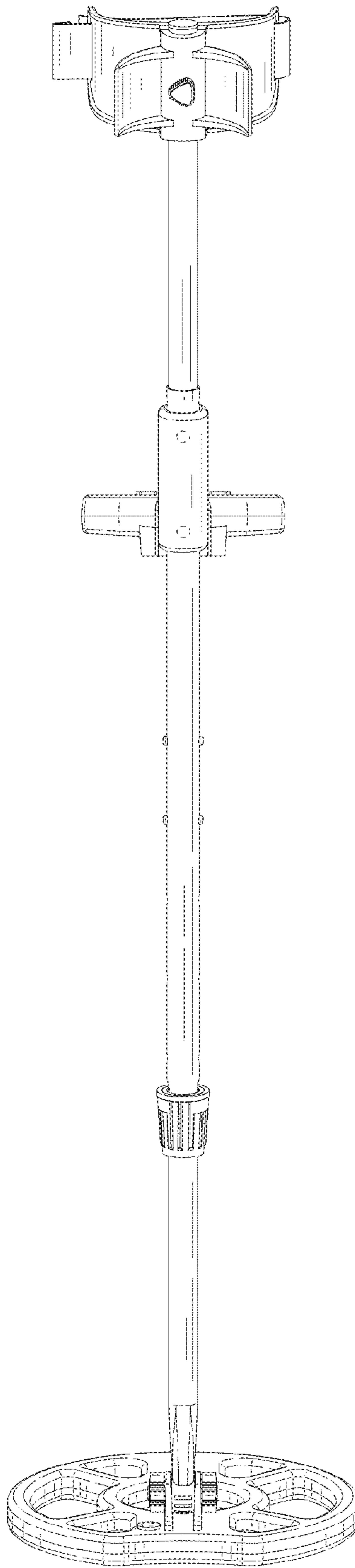


FIG. 4

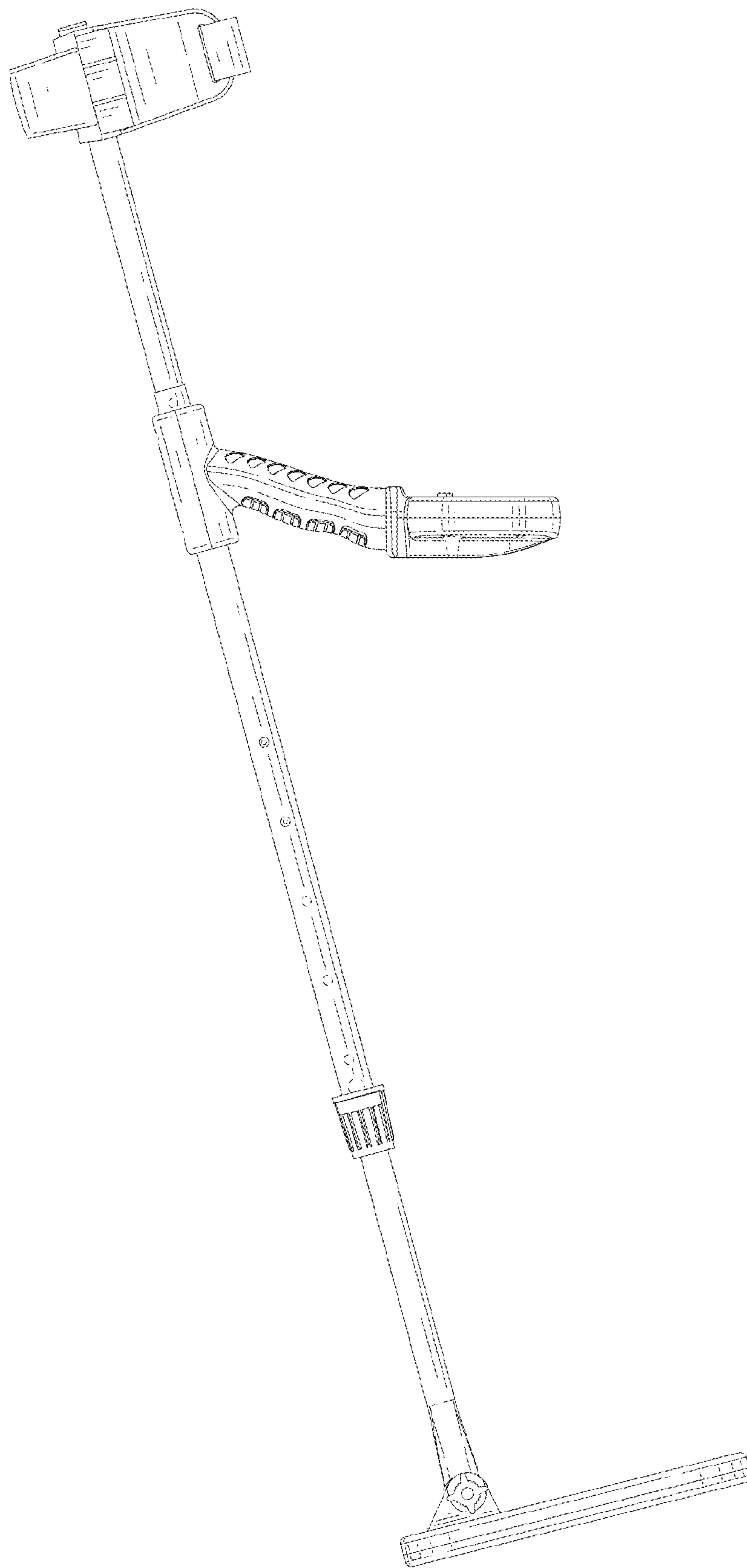


FIG. 5

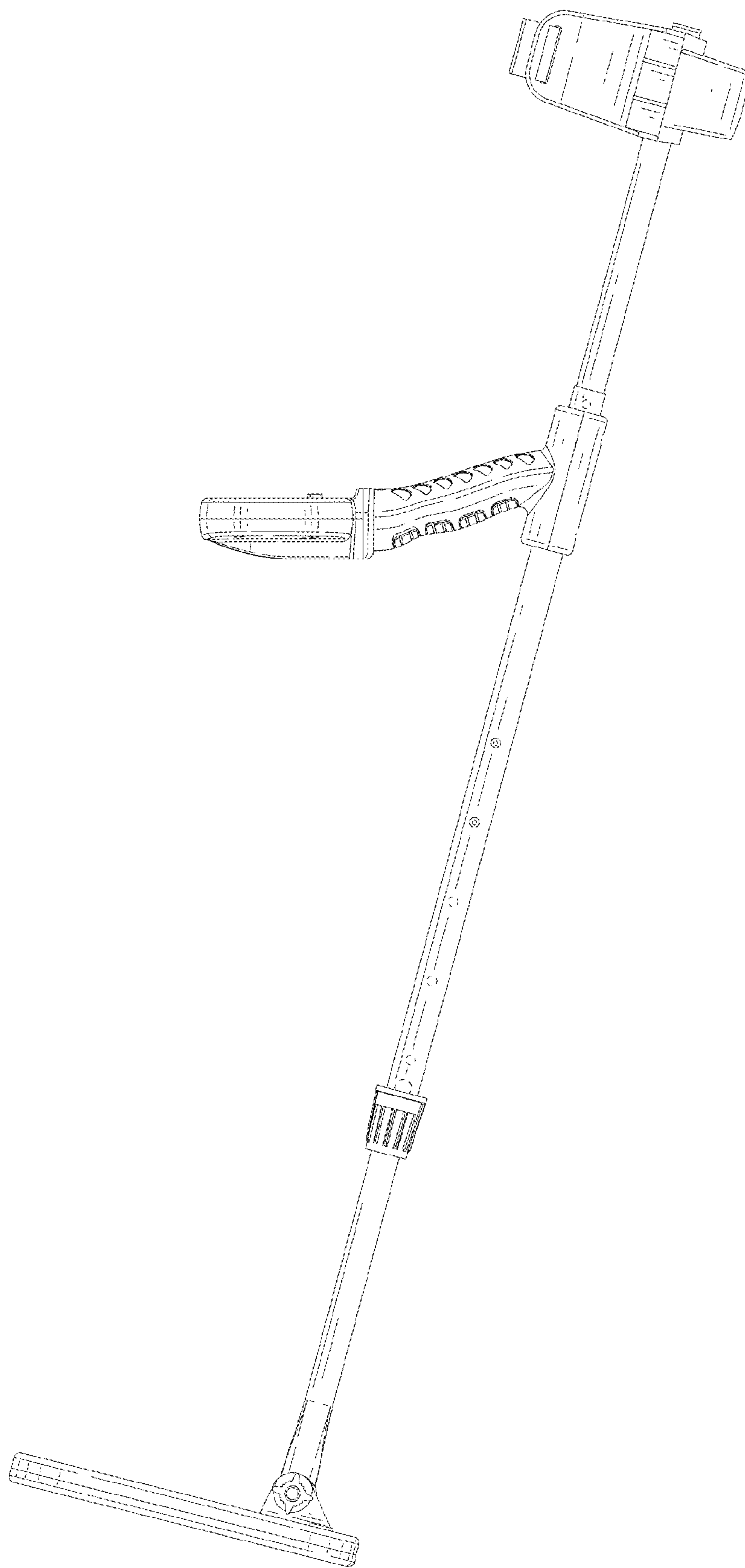


FIG. 6



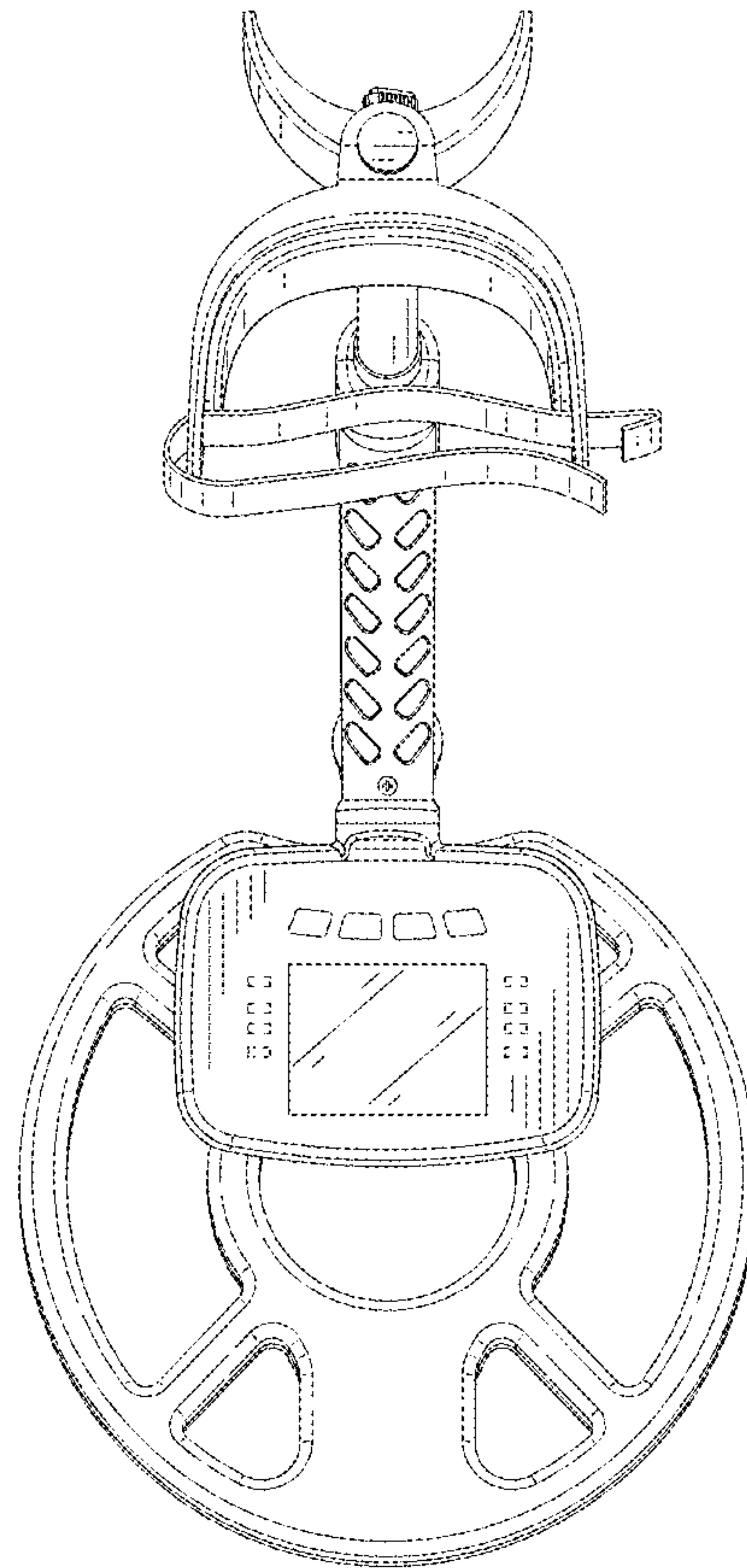


FIG. 7

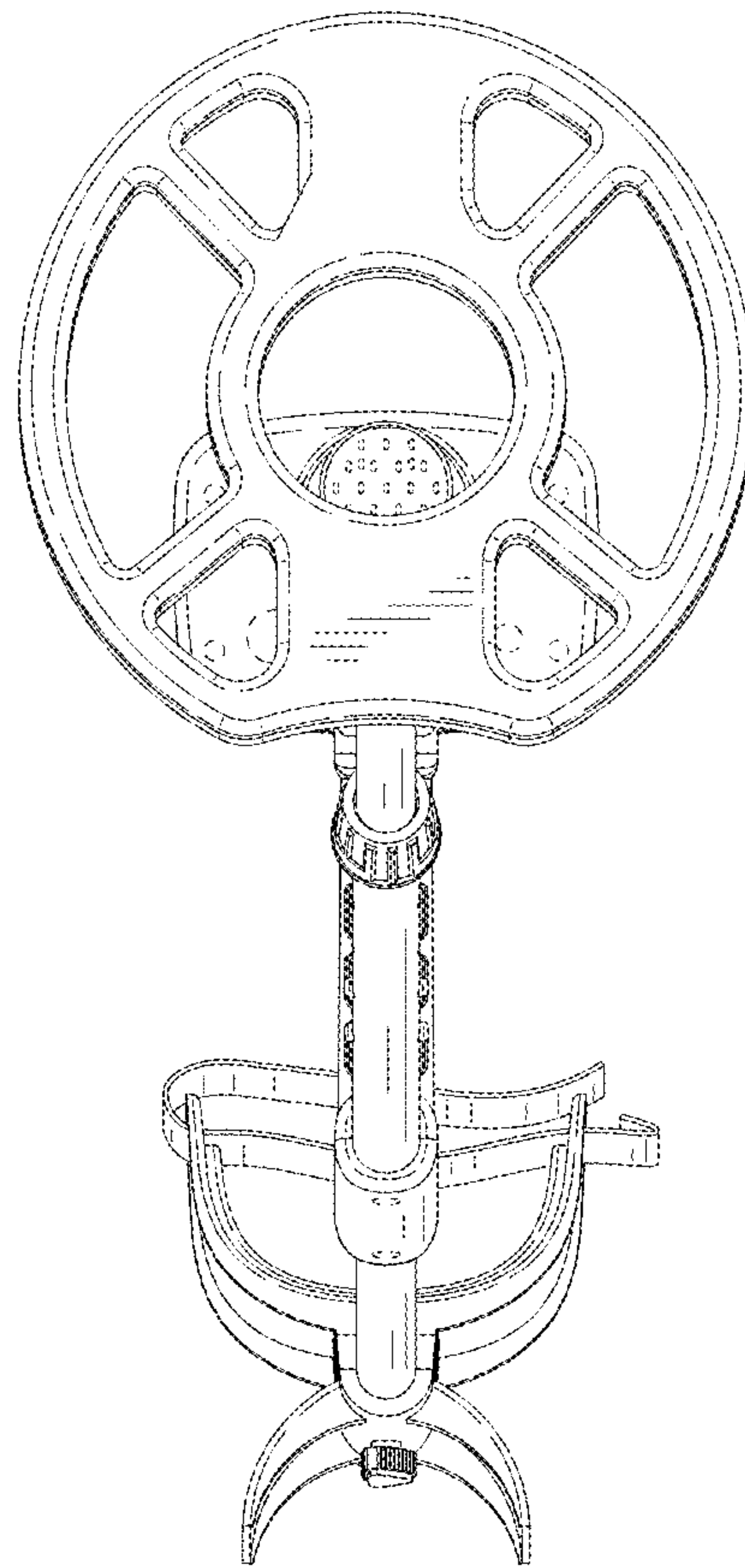


FIG. 8

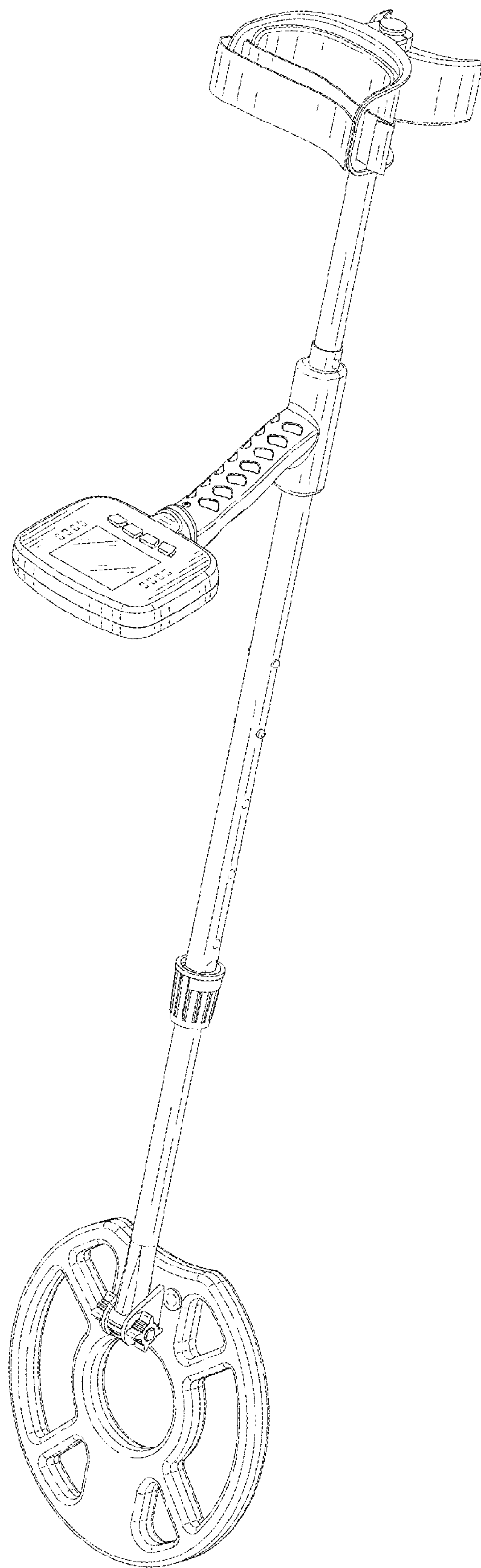


FIG. 9

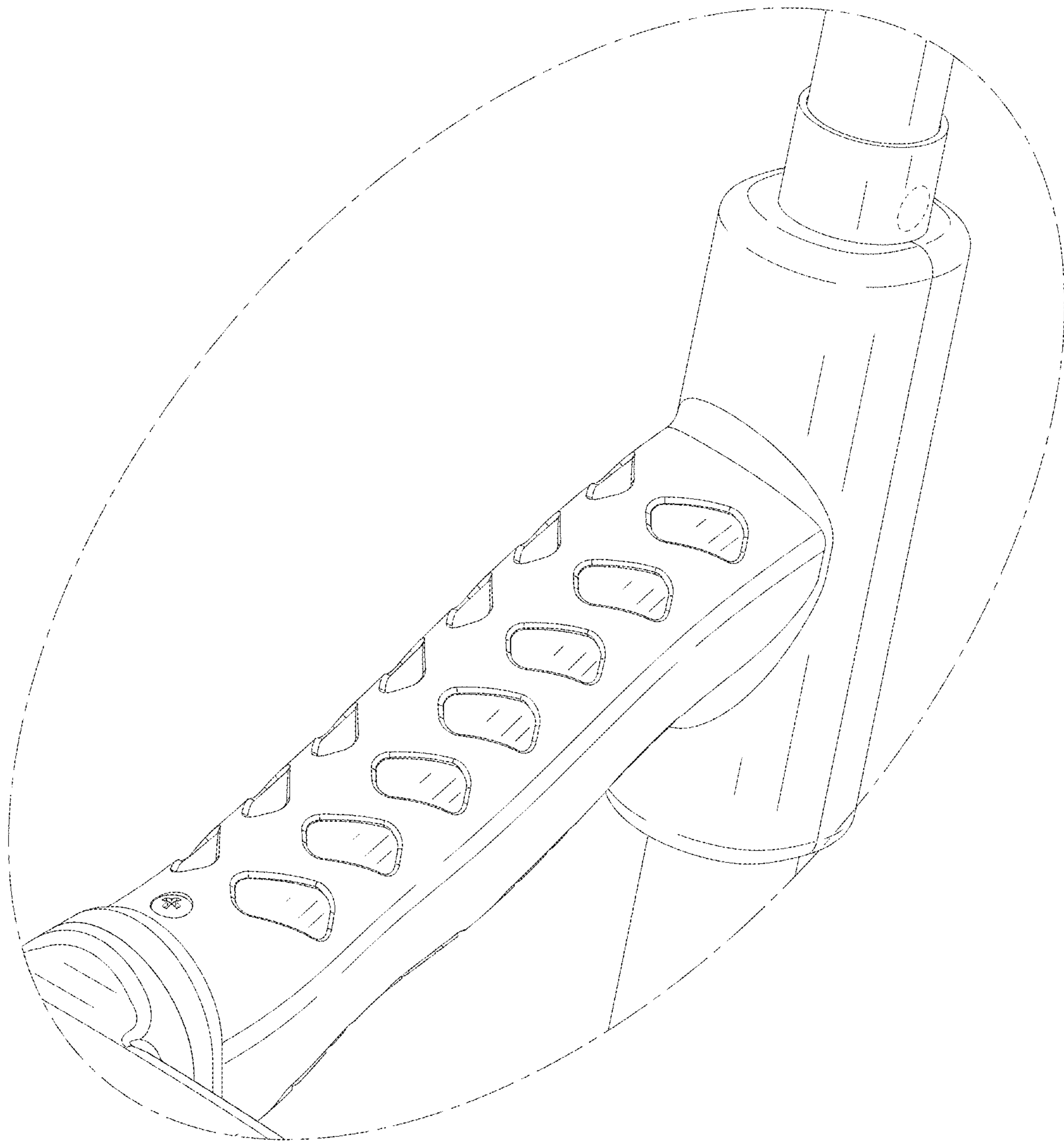


FIG. 10

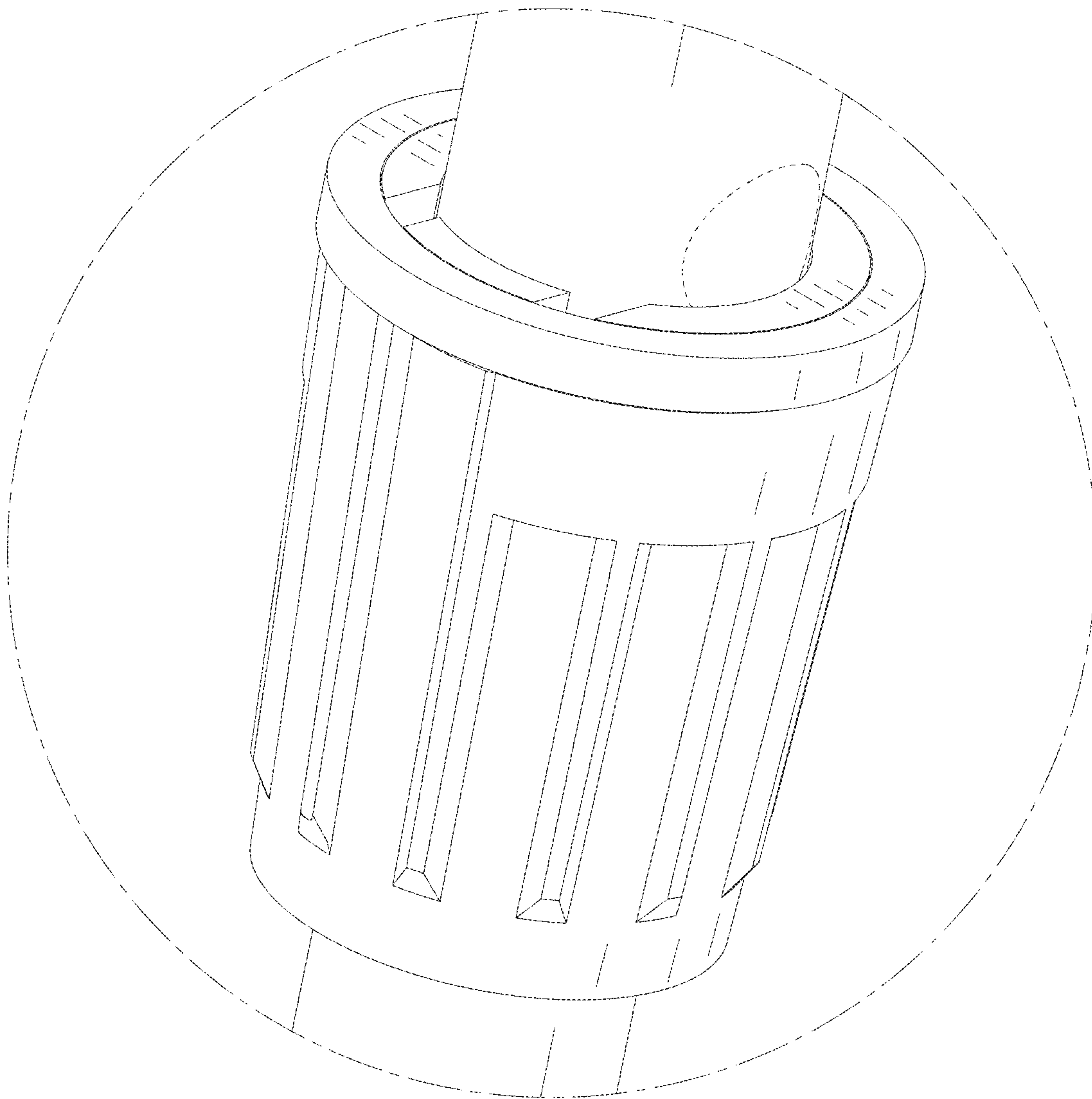


FIG. 11



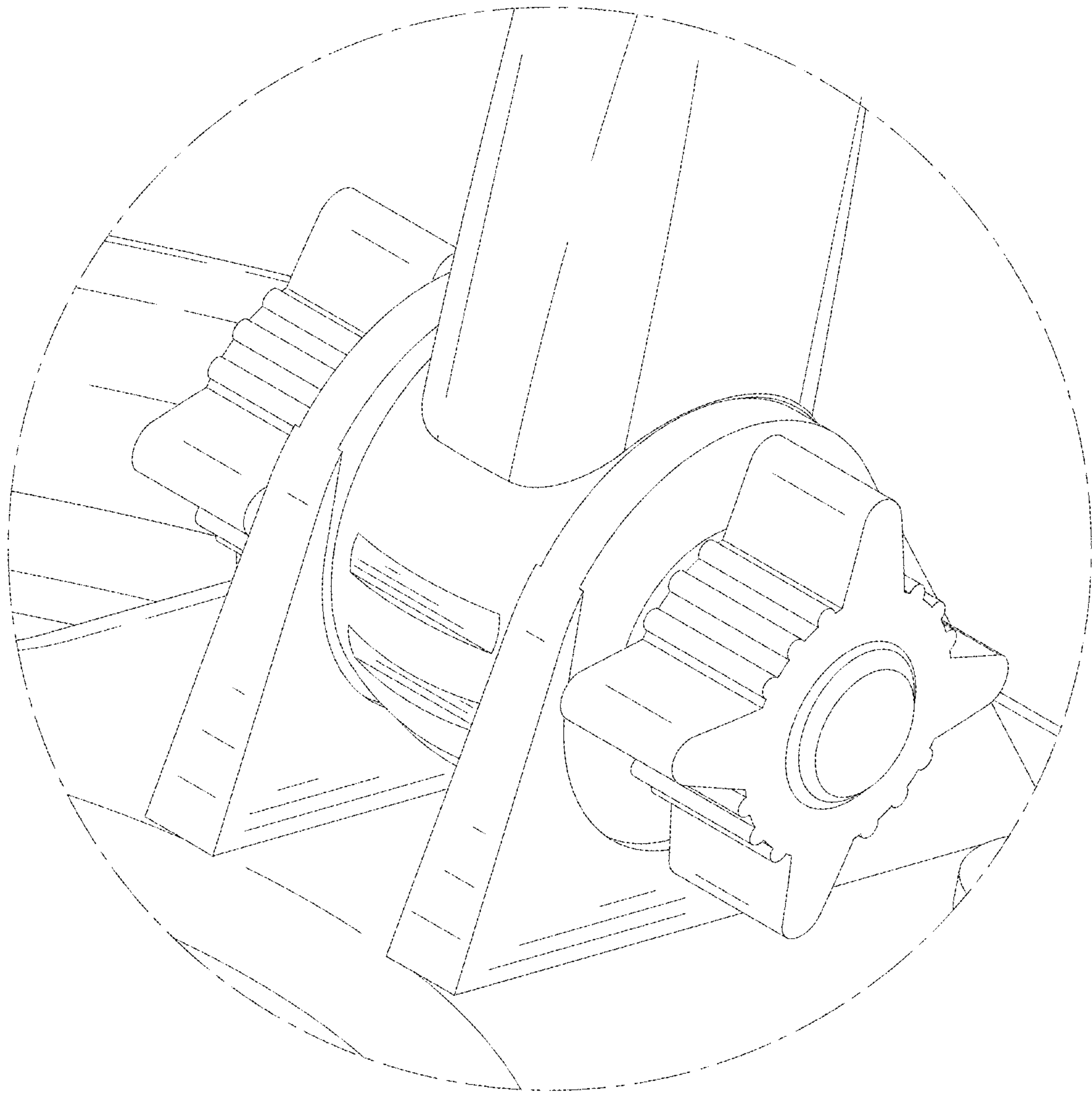


FIG. 12

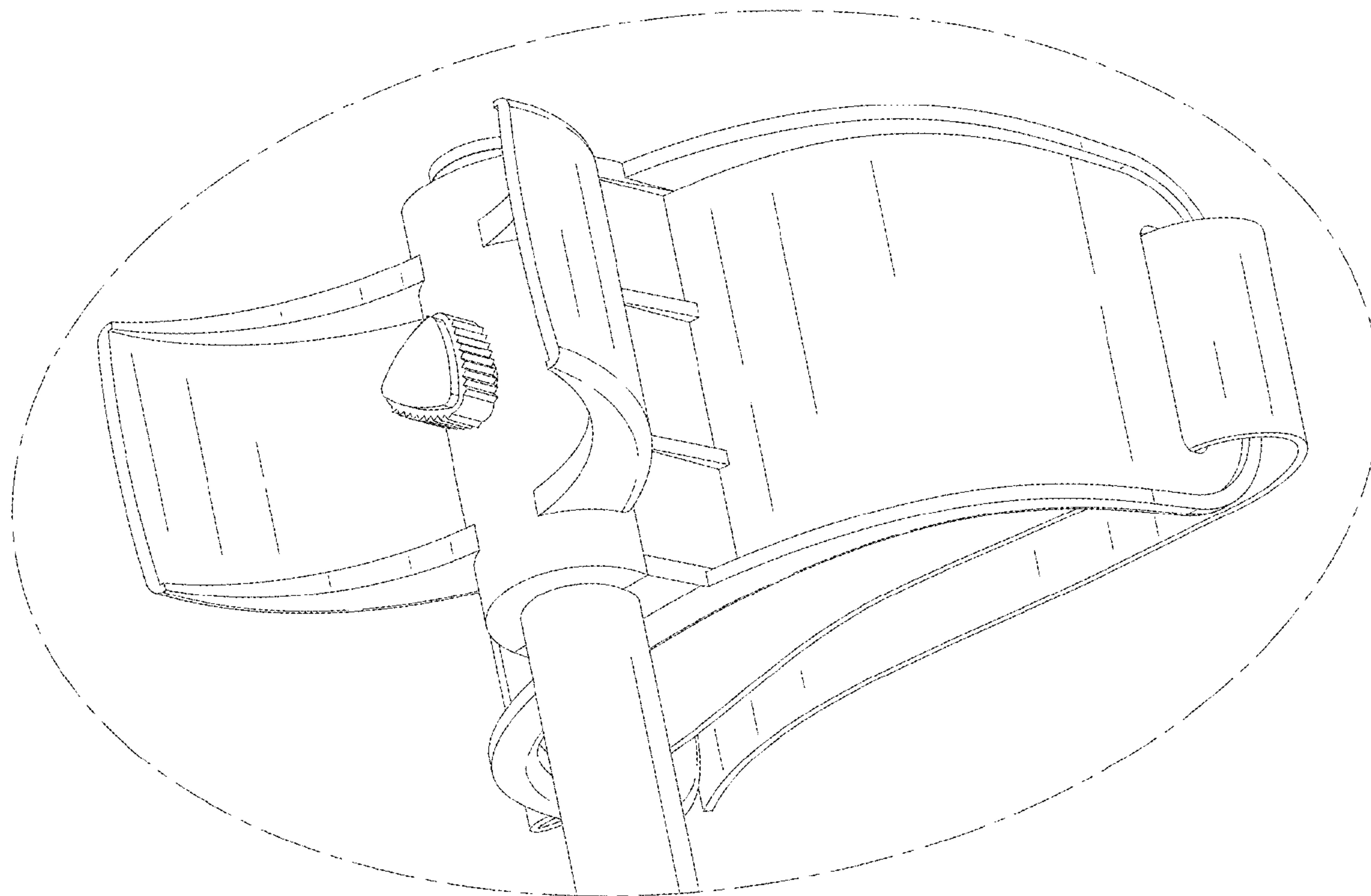


FIG. 13

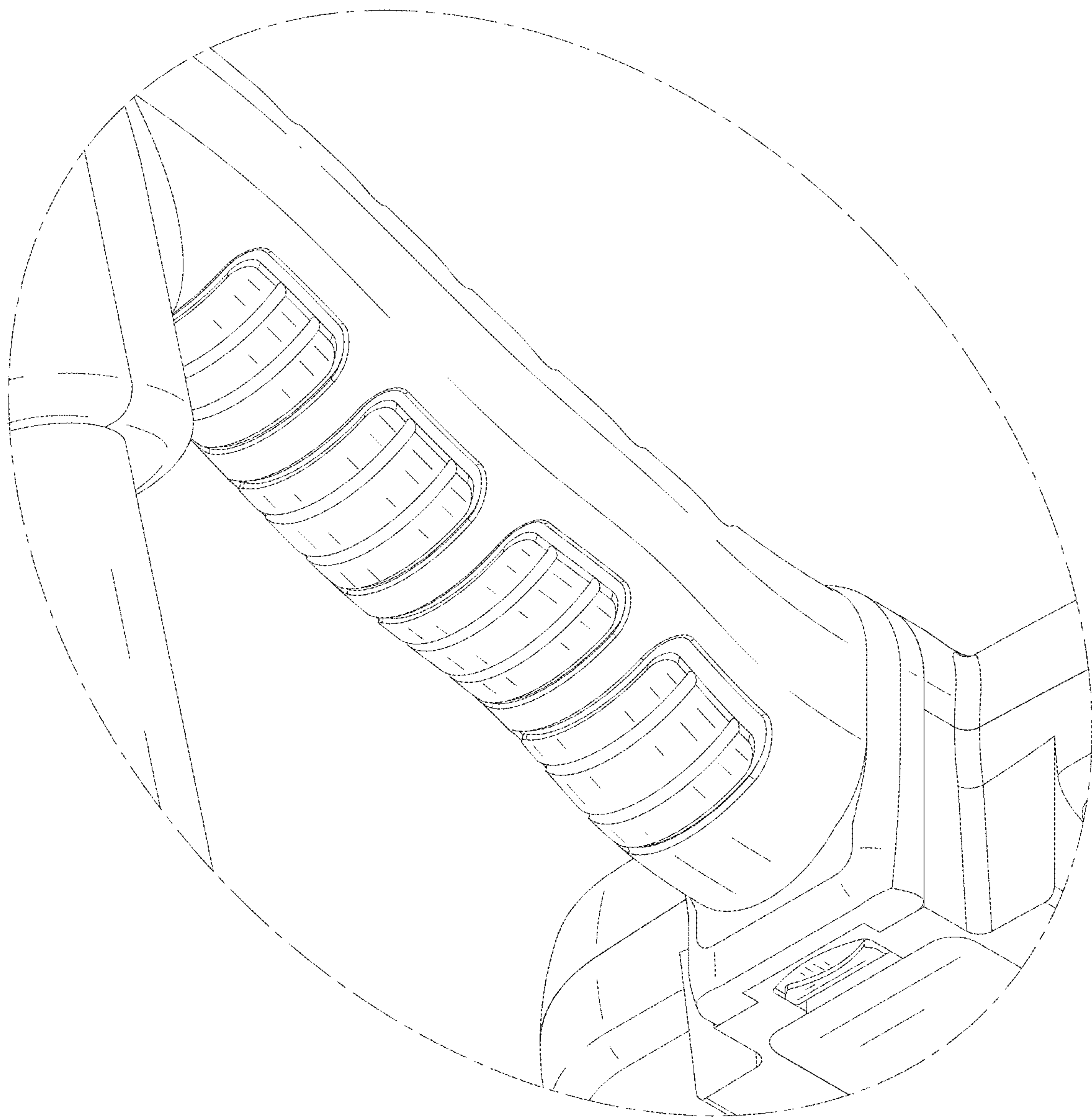


FIG. 14