



US00D970362S

(12) **United States Design Patent**  
**Deng**

(10) **Patent No.:** **US D970,362 S**

(45) **Date of Patent:** **\*\* Nov. 22, 2022**

(54) **METAL DETECTOR CONTROL BOX**

FOREIGN PATENT DOCUMENTS

(71) Applicant: **Shanghai Tianxun Electronic Equipment Co., Ltd**, Shanghai (CN)

CN 301994031 \* 3/2012  
CN 008982524-0001 \* 4/2022  
CN 307422826 \* 4/2022

(72) Inventor: **Junhong Deng**, Shanghai (CN)

(Continued)

(\*\*) Term: **15 Years**

OTHER PUBLICATIONS

(21) Appl. No.: **29/836,207**

Homedex, Professional Metal Detector, Date first available 2022, [online]retrieved Sep. 13, 2022, available from [https://www.amazon.com/dp/B08D96PSG8/ref=sspa\\_dk\\_detail\\_5?psc=1&pf\\_rd\\_p=3481f441-61ac-4028-9c1a-7f9ce8ec50c5&pf\\_rd\\_r=AQ7NBTJG6AQ3PACPQM9&pd\\_rd\\_wg=f4Epw&pd\\_rd\\_w=gYuA3&content-id=amzn1.sym.3481f441](https://www.amazon.com/dp/B08D96PSG8/ref=sspa_dk_detail_5?psc=1&pf_rd_p=3481f441-61ac-4028-9c1a-7f9ce8ec50c5&pf_rd_r=AQ7NBTJG6AQ3PACPQM9&pd_rd_wg=f4Epw&pd_rd_w=gYuA3&content-id=amzn1.sym.3481f441) (Year: 2022).\*

(22) Filed: **Apr. 25, 2022**

(Continued)

(51) **LOC (13) Cl.** ..... **10-04**

(52) **U.S. Cl.**  
USPC ..... **D10/47**

(58) **Field of Classification Search**

USPC ..... D10/47; D14/489-494, 383, 357, 341  
CPC ..... G01B 21/08; G01B 11/002; G01B 7/26;  
G01B 5/24; G01B 11/00; G01B 21/16;  
G01V 3/10; G01V 3/087; G01V 3/081;  
G01V 3/165; G01V 3/088; G01V 3/40;  
G01V 3/08; G01V 3/15; G01V 3/104;  
G01V 3/105; G01V 3/17; G06K 9/6215;  
G01C 19/00; G01P 15/08; G06V 10/143;  
H04W 4/029; H04W 4/02; G08B 21/24

See application file for complete search history.

*Primary Examiner* — Keli L Hill

*Assistant Examiner* — Sara S Sahnneh

(56) **References Cited**

U.S. PATENT DOCUMENTS

5,969,528 A \* 10/1999 Weaver ..... G01V 3/108  
324/243  
D867,170 S \* 11/2019 Deng ..... D10/47  
D885,205 S \* 5/2020 Deng ..... D10/47  
D885,939 S \* 6/2020 Deng ..... D10/47  
D899,275 S \* 10/2020 Ye ..... D10/47  
D907,513 S \* 1/2021 Qin ..... D10/47  
D918,065 S 5/2021 Qin  
D920,139 S \* 5/2021 Newport-Peace ..... D10/47  
D927,995 S \* 8/2021 Deng ..... D10/47  
D929,244 S \* 8/2021 Deng ..... D10/47  
D959,300 S \* 8/2022 Zhang ..... D10/47  
2014/0139210 A1 \* 5/2014 Walsh ..... G01V 3/10  
324/239  
2014/0218036 A1 \* 8/2014 Fry ..... G01V 3/165  
324/329

(Continued)

(57)

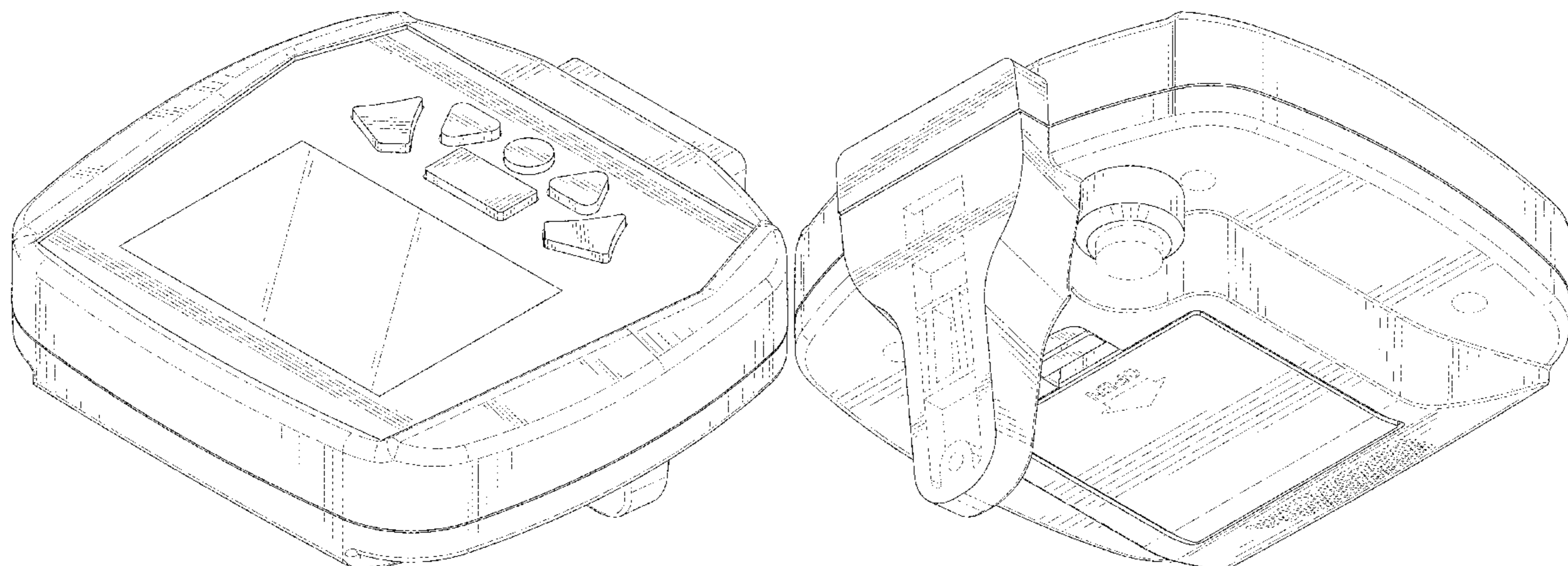
**CLAIM**

The ornamental design for a metal detector control box, as shown and described.

**DESCRIPTION**

FIG. 1 is a front and top perspective view of a metal detector control box, showing my new design;  
FIG. 2 is a rear and bottom perspective view thereof;  
FIG. 3 is a front elevation view thereof;  
FIG. 4 is a rear elevation view thereof;  
FIG. 5 is a left side elevation view thereof;  
FIG. 6 is a right side elevation view thereof;  
FIG. 7 is a top plan view thereof; and,  
FIG. 8 is a bottom plan view thereof.  
The broken lines in the figures illustrate portions of the metal detector control box that form no part of the claimed design.

**1 Claim, 8 Drawing Sheets**



(56)

**References Cited**

U.S. PATENT DOCUMENTS

2022/0206179 A1\* 6/2022 Gall ..... F16B 7/14

FOREIGN PATENT DOCUMENTS

CN	307520806	*	4/2022
CN	008734446-0001	*	10/2022
EM	008798466-0001	*	12/2021
EM	009097488-0002	*	7/2022

OTHER PUBLICATIONS

Garrett, AT Max Waterproof Metal Detector, Date first available Dec. 15, 2018, [online]retrieved Sep. 13, 2022, available from [https://www.amazon.com/Garrett-Waterproof-Headphones-Pro-Pointer-Pinpointer/dp/B07GT9GH14/ref=psdc\\_554036\\_t2\\_B08HFKYVZR](https://www.amazon.com/Garrett-Waterproof-Headphones-Pro-Pointer-Pinpointer/dp/B07GT9GH14/ref=psdc_554036_t2_B08HFKYVZR) (Year: 2018).\*

Garrett, ACE 300 Metal Detector, Date first available Apr. 17, 2021, [online]retrieved Sep. 13, 2022, available from [https://www.amazon.com/Garrett-Ace-300-Metal-Detector/dp/B07BR1L7SR/ref=sr\\_1\\_6?c=ts&keywords=Metal+Detectors&qid=16630986738s=lawn-garden&sr=1-6&ts\\_id=554036](https://www.amazon.com/Garrett-Ace-300-Metal-Detector/dp/B07BR1L7SR/ref=sr_1_6?c=ts&keywords=Metal+Detectors&qid=16630986738s=lawn-garden&sr=1-6&ts_id=554036) (Year: 2021).\*

\* cited by examiner

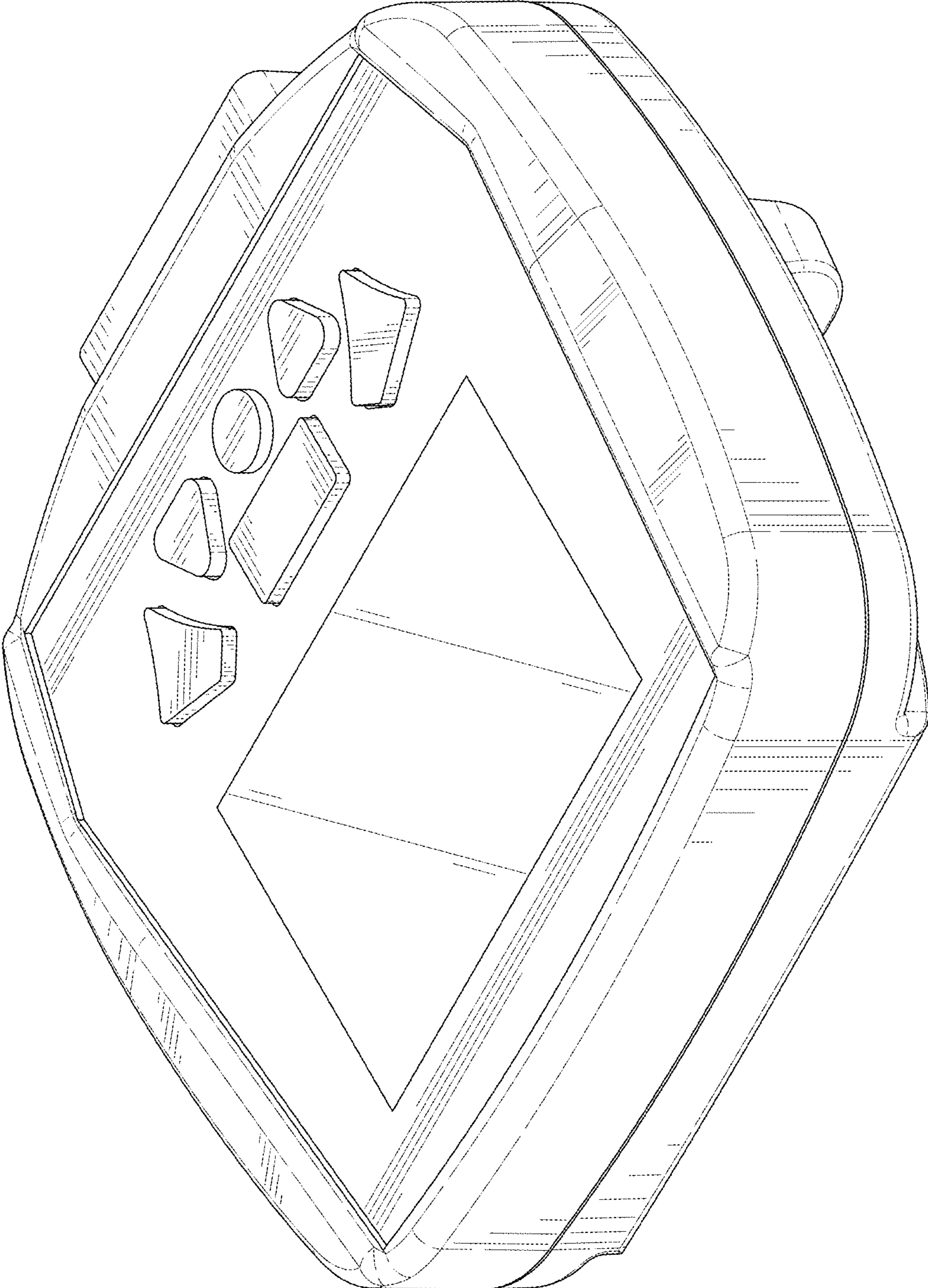


FIG. 1

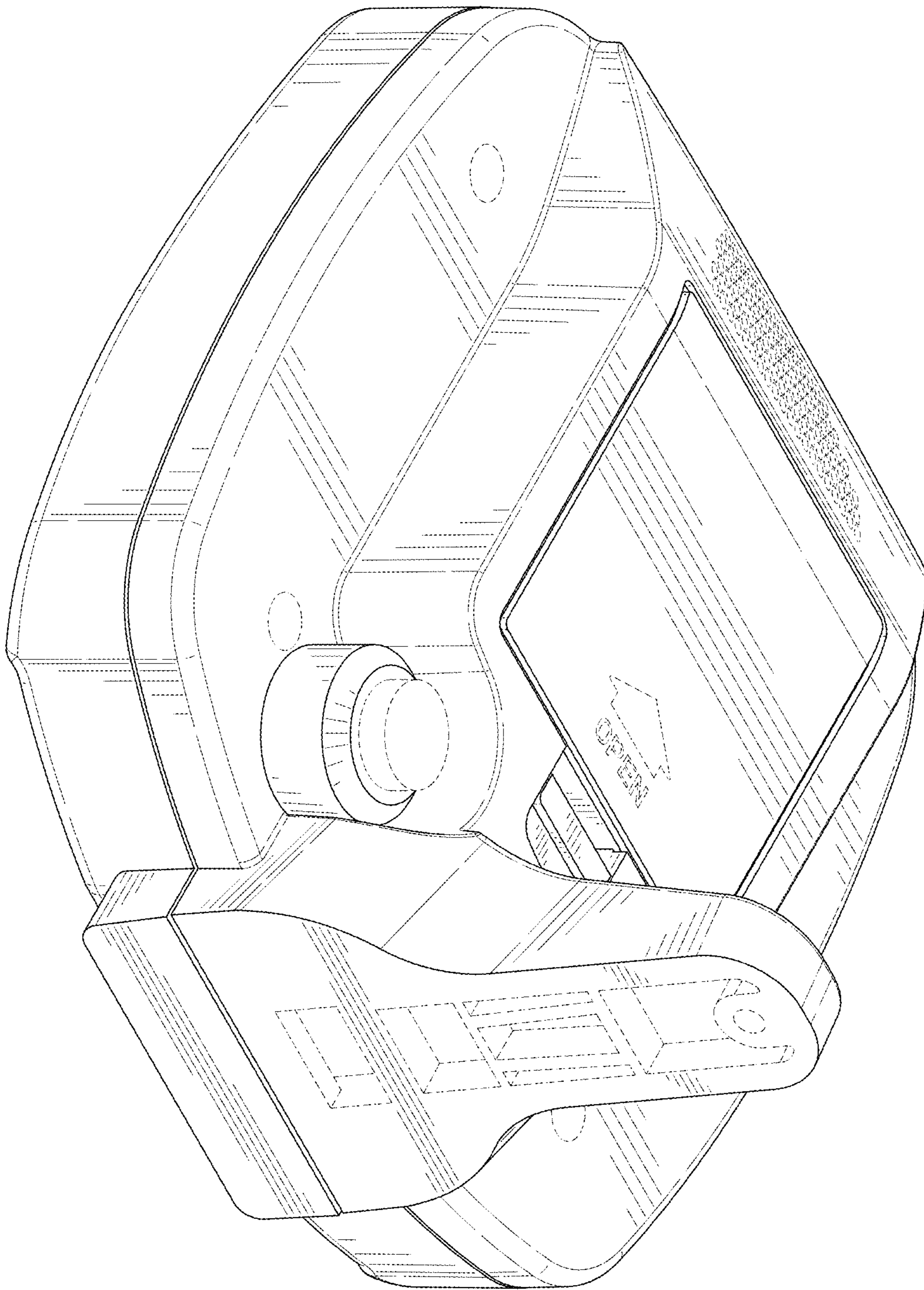


FIG. 2

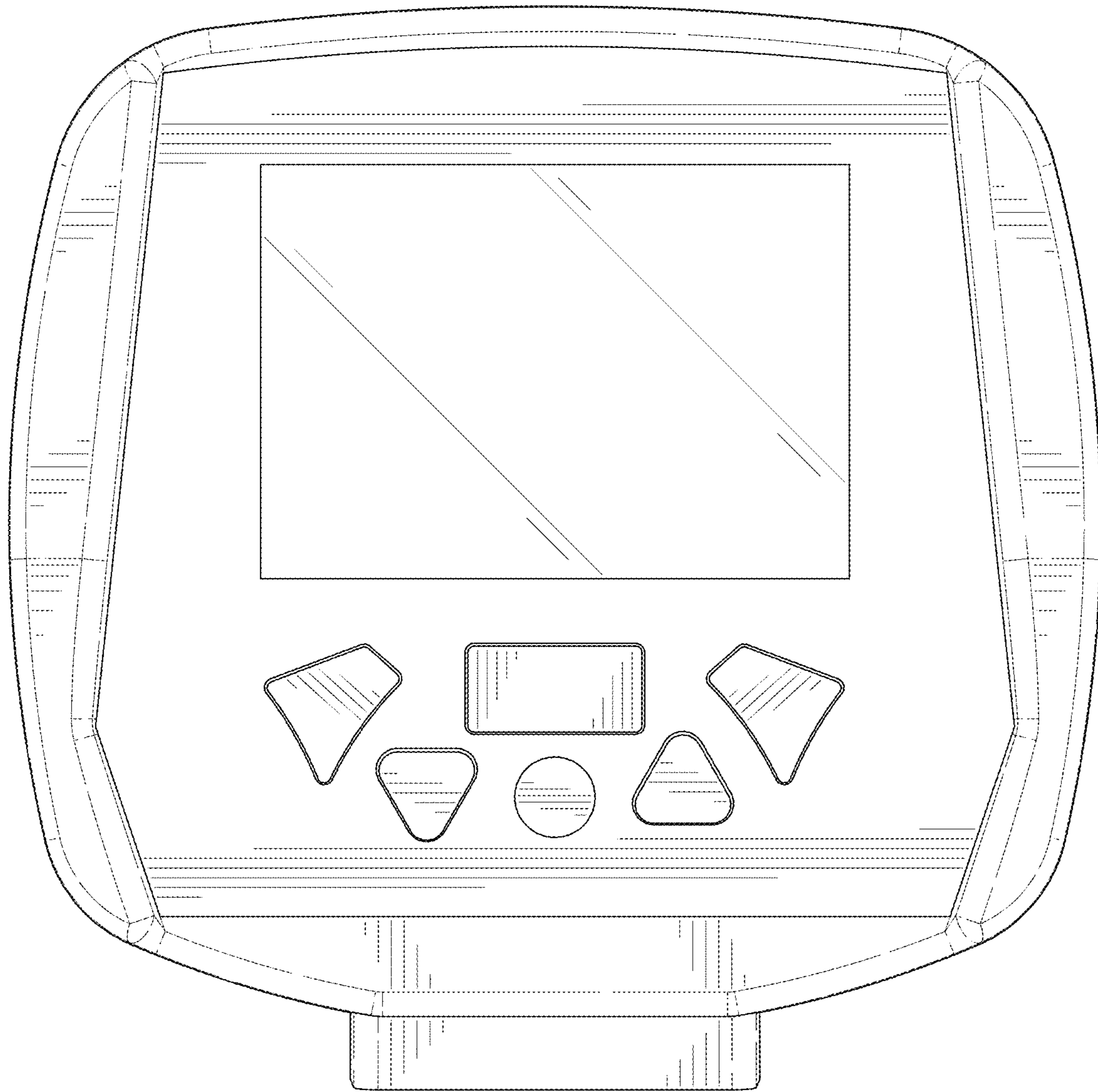


FIG. 3

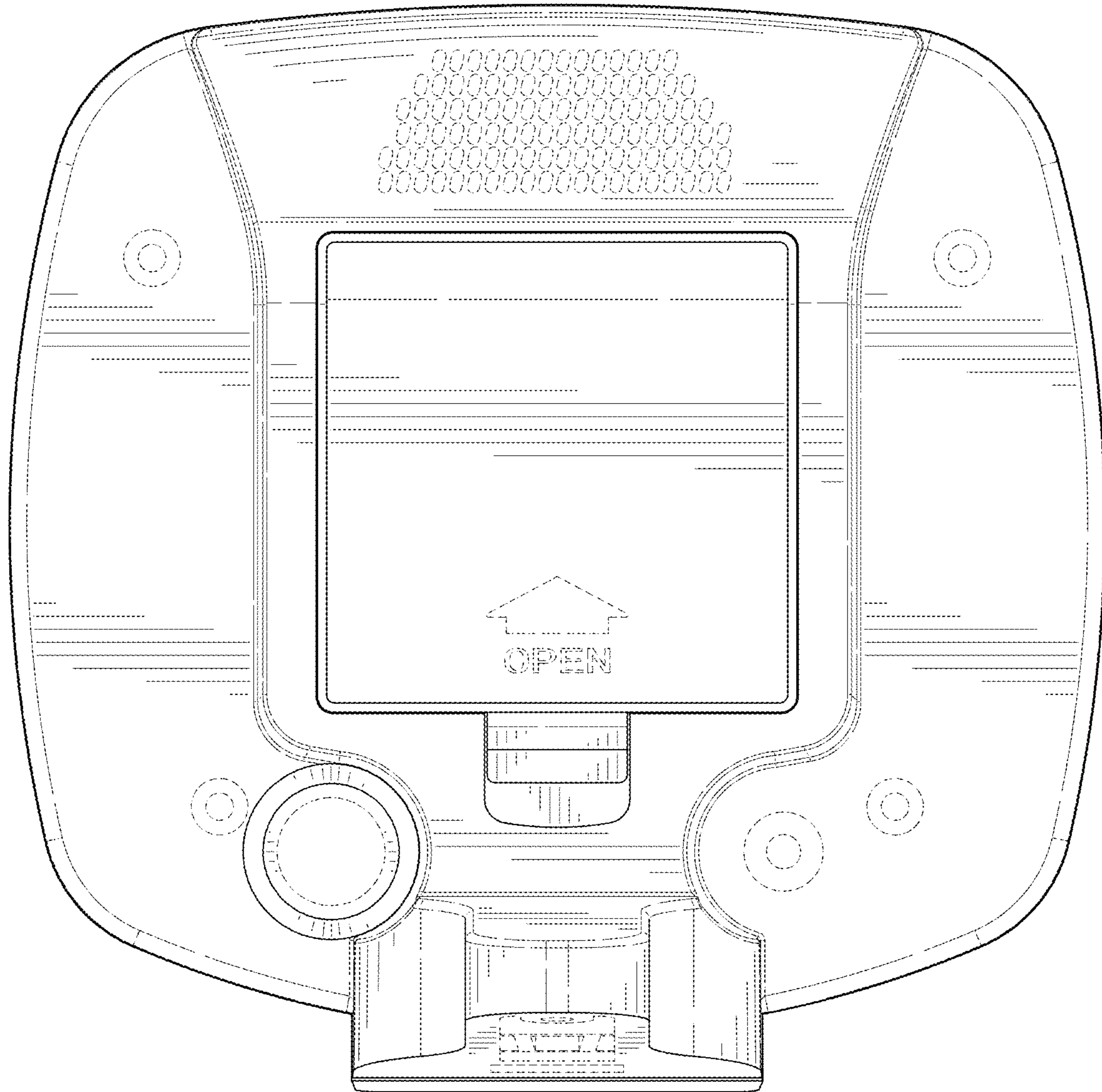


FIG. 4

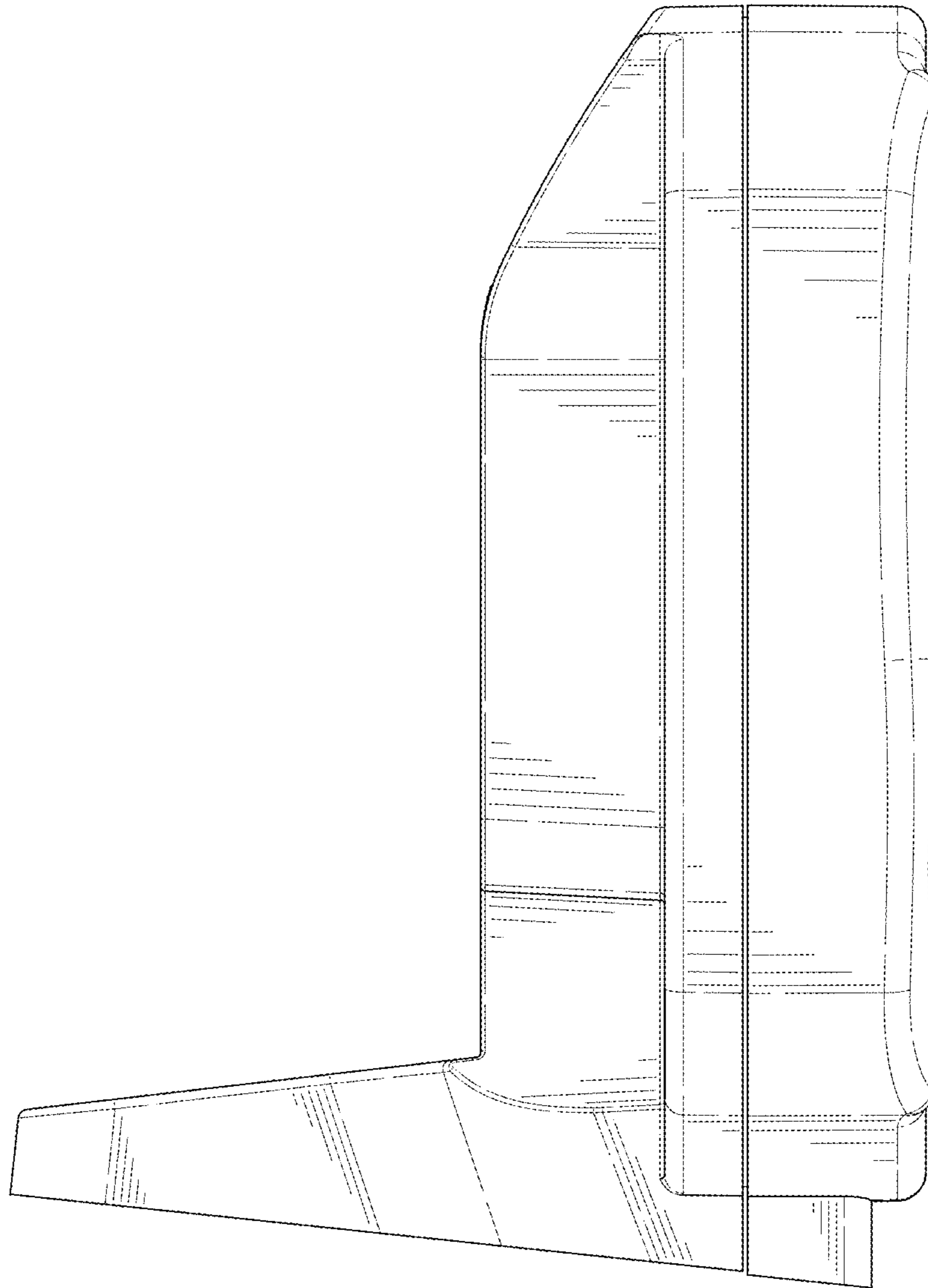


FIG. 5

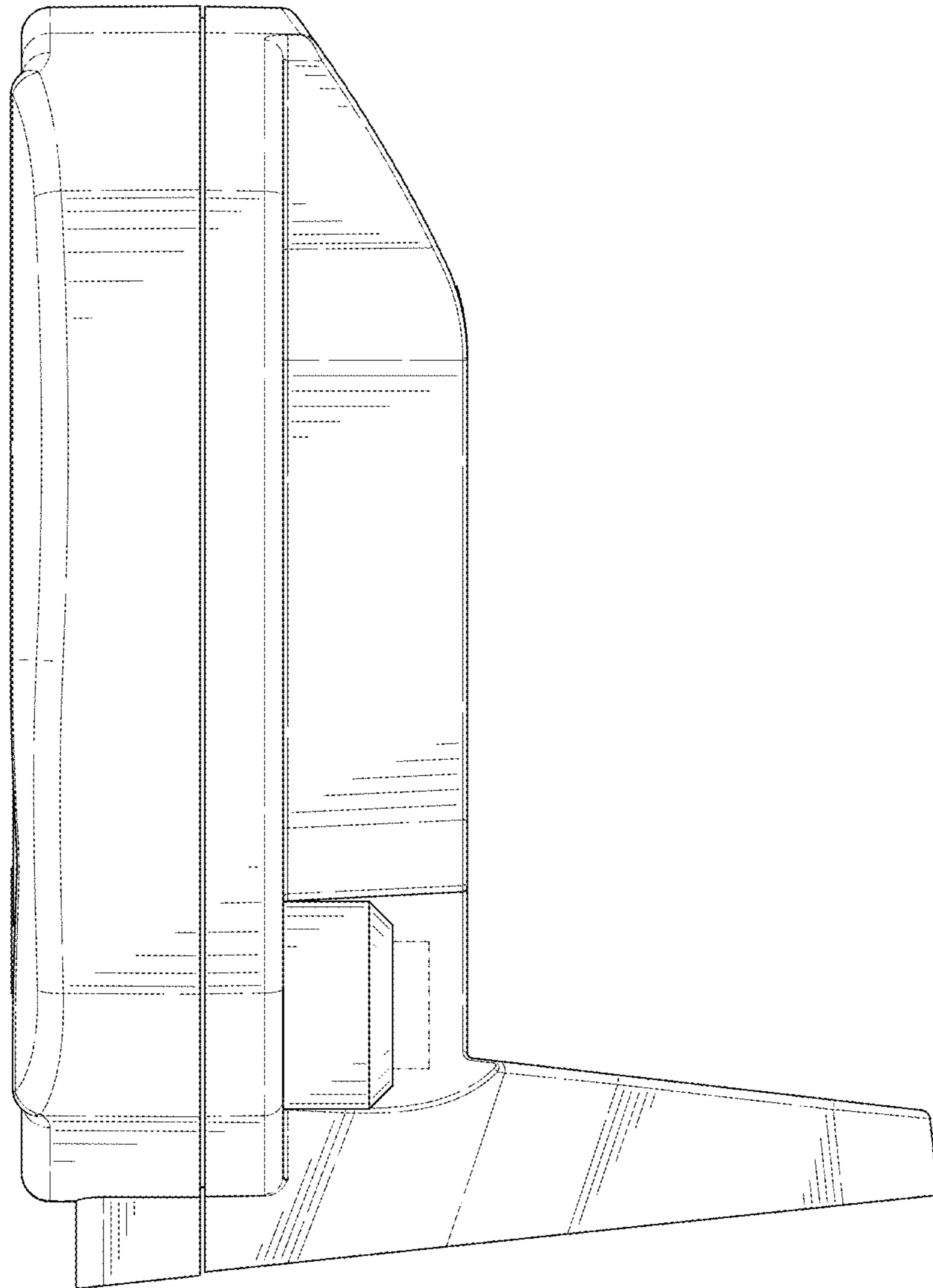


FIG. 6



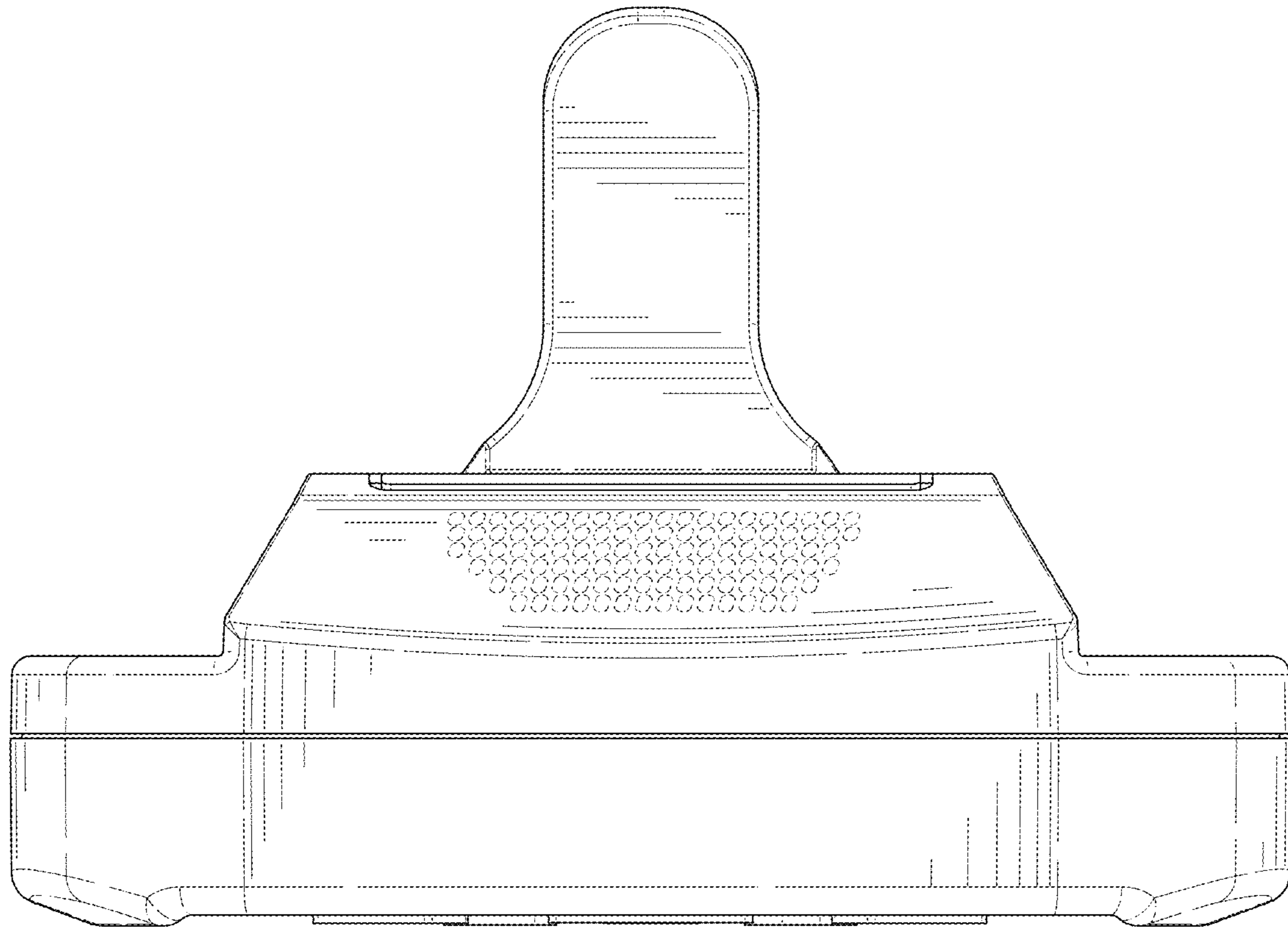


FIG. 7

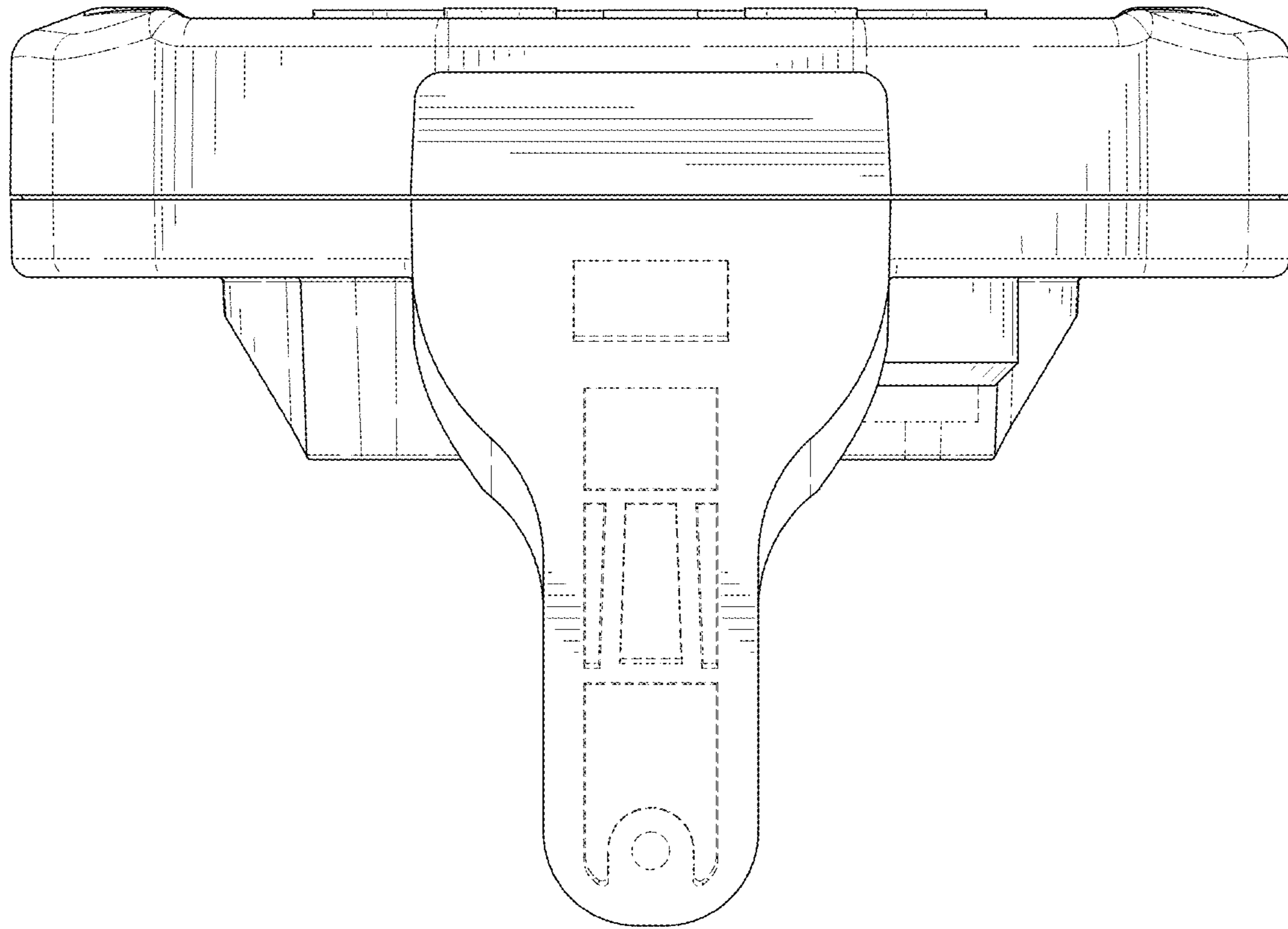


FIG. 8