



US00D970361S

(12) **United States Design Patent**  
**Deng**

(10) **Patent No.:** **US D970,361 S**  
(45) **Date of Patent:** **\*\* Nov. 22, 2022**

(54) **METAL DETECTOR**

(71) Applicant: **Shanghai Tianxun Electronic Equipment Co., Ltd**, Shanghai (CN)

(72) Inventor: **Junhong Deng**, Shanghai (CN)

(\*\*) Term: **15 Years**

(21) Appl. No.: **29/836,202**

(22) Filed: **Apr. 25, 2022**

(51) **LOC (13) Cl.** ..... **10-04**

(52) **U.S. Cl.**  
USPC ..... **D10/47**

(58) **Field of Classification Search**

USPC ..... D10/47

CPC ..... G01B 21/08; G01B 11/002; G01B 7/26;  
G01B 5/24; G01B 11/00; G01B 21/16;  
G01V 3/10; G01V 3/087; G01V 3/081;  
G01V 3/165; G01V 3/088; G01V 3/40;  
G01V 3/08; G01V 3/15; G01V 3/104;  
G01V 3/105; G01V 3/17; G06K 9/6215;  
G01C 19/00; G01P 15/08; G06V 10/143;  
H04W 4/029; H04W 4/02; G08B 21/24

See application file for complete search history.

(56) **References Cited**

**U.S. PATENT DOCUMENTS**

D867,170 S \* 11/2019 Deng ..... D10/47  
D885,205 S \* 5/2020 Deng ..... D10/47  
D885,206 S \* 5/2020 Deng ..... D10/47  
D889,998 S \* 7/2020 Qin ..... D10/47

(Continued)

**FOREIGN PATENT DOCUMENTS**

CN 305365945 \* 3/2019  
CN 305686480 \* 6/2019

(Continued)

**OTHER PUBLICATIONS**

Vannect Power,Metal Detector,Date first available Aug. 6, 2022,  
[online]retrieved Sep. 13, 2022,available from <https://www.amazon.com>.

com/dp/B09Q5M4BZ5/ref=sspa\_dk\_detail\_0?pf\_rd\_p=bff6e147-54ad-4be3-b4ea-ec19ea6167f7&pf\_rd\_r=WA1XA1MMMT67DANNQMFY&pd\_rd\_wg=XRkOj&pd\_rd\_w=EnM8K&content-id=amzn1.sym.bff6e147-54 (Year: 2022).\*

(Continued)

*Primary Examiner* — Keli L Hill

*Assistant Examiner* — Sara S Sahneh

(57) **CLAIM**

The ornamental design for a metal detector, as shown and described.

**DESCRIPTION**

FIG. 1 is a front and top perspective view of a metal detector, showing my new design;

FIG. 2 is a rear and bottom perspective view thereof;

FIG. 3 is a front elevation view thereof;

FIG. 4 is a rear elevation view thereof;

FIG. 5 is a left side elevation view thereof;

FIG. 6 is a right side elevation view thereof;

FIG. 7 is a top plan view thereof;

FIG. 8 is a bottom plan view thereof;

FIG. 9 is an enlarged view of a portion indicated with numeric 9 in FIG. 1;

FIG. 10 is an enlarged view of a portion indicated with numeric 10 in FIG. 1;

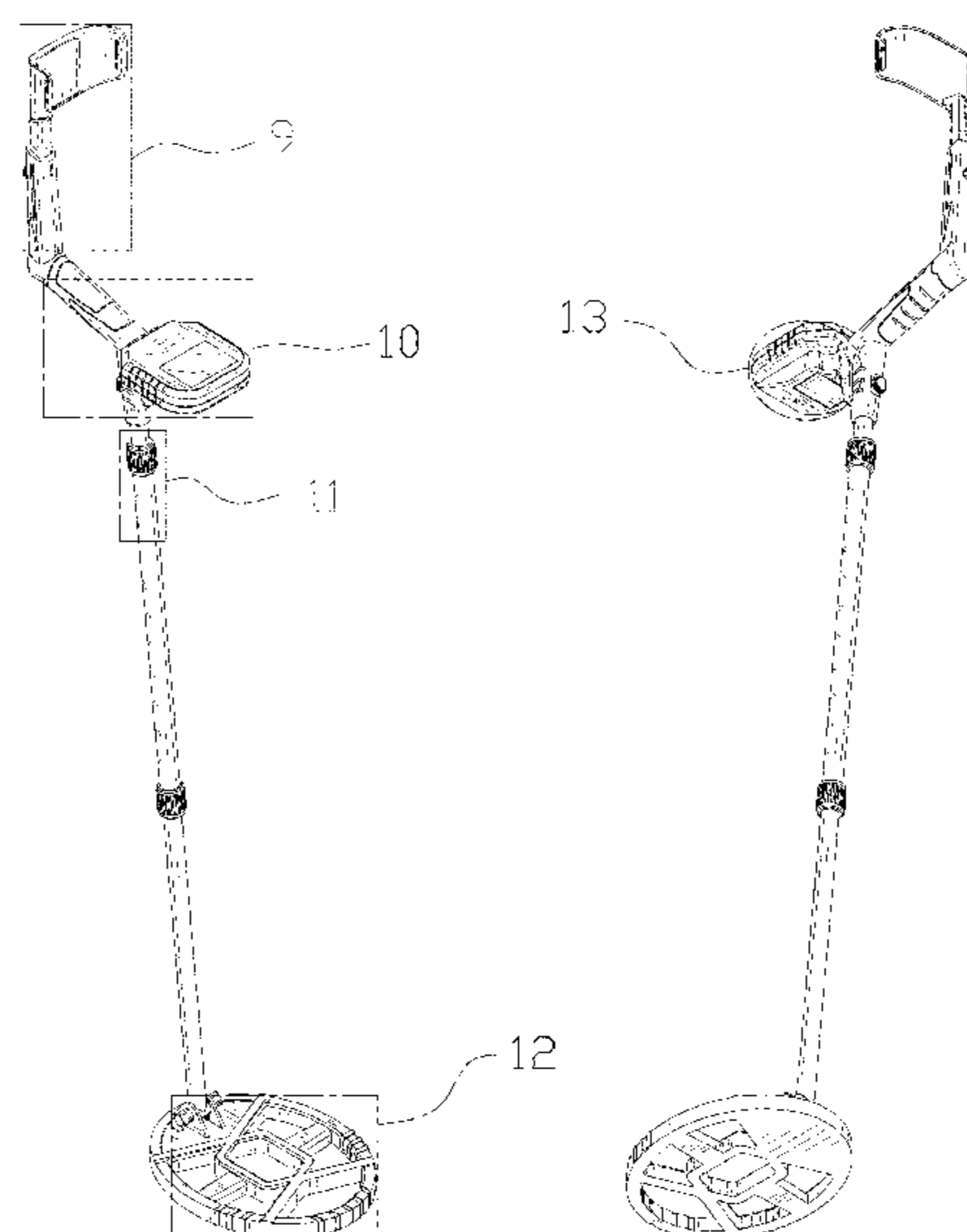
FIG. 11 is an enlarged view of a portion indicated with numeric 11 in FIG. 1;

FIG. 12 is an enlarged view of a portion indicated with numeric 12 in FIG. 1; and,

FIG. 13 is an enlarged view of a portion indicated with numeric 13 in FIG. 2.

The broken lines in the figures illustrate portions of the metal detector that form no part of the claimed design. The dash dot dash lines in FIGS. 1, 2, 9, 10, 11, 12 and 13 are for the purpose of depicting the boundary lines of the enlarged views and form no part of the claimed design.

**1 Claim, 13 Drawing Sheets**



(56)

References Cited

U.S. PATENT DOCUMENTS

D899,276 S \* 10/2020 Zhang ..... D10/47  
 D915,225 S \* 4/2021 Deng ..... D10/47  
 D918,064 S 5/2021 Deng  
 D929,875 S \* 9/2021 Deng ..... D10/47  
 D959,300 S \* 8/2022 Zhang ..... D10/47  
 2009/0009173 A1\* 1/2009 Loubet ..... G01V 3/15  
 324/327  
 2014/0139210 A1\* 5/2014 Walsh ..... G01V 3/10  
 324/239  
 2020/0213434 A1\* 7/2020 Samkov ..... H04M 1/04  
 2020/0341164 A1\* 10/2020 Blankenship ..... H04M 1/72415  
 2022/0206179 A1\* 6/2022 Gall ..... F16B 7/14

FOREIGN PATENT DOCUMENTS

CN 305686494 \* 7/2019  
 EM 008370654-0002 \* 12/2020

GB 6094764 \* 7/2020  
 GB 9008188908-0007 \* 9/2020  
 GB 6122528 \* 3/2021

OTHER PUBLICATIONS

DR.ÖTEK Store, Metal Detector, Date first available Sep. 12, 2022, [online]retrieved Sep. 13, 2022, available from [https://www.amazon.com/DR-ÖTEK-Metal-Detector-Adults-Waterproof/dp/B0B3D4J6LP/ref=sr\\_1\\_38?c=ts&keywords=Metal%2BDetectors&qid=1663098934&s=lawn-garden&sr=1-38&ts\\_id=554036&th=1](https://www.amazon.com/DR-ÖTEK-Metal-Detector-Adults-Waterproof/dp/B0B3D4J6LP/ref=sr_1_38?c=ts&keywords=Metal%2BDetectors&qid=1663098934&s=lawn-garden&sr=1-38&ts_id=554036&th=1) (Year: 2022).  
 Uihund, Metal Detectors, Date first available Jun. 4, 2022, [online]retrieved Sep. 20, 2022, available from [https://www.amazon.com/Upgraded-Metal-Detectors-Adults-Waterproof/dp/B09ZYHFPNW/ref=sr\\_1\\_17\\_sspa?c=ts&keywords=Metal%2BDetectors&qid=1663098673&s=lawn-garden&sr=1-17-spons&ts\\_id=554036&th=1](https://www.amazon.com/Upgraded-Metal-Detectors-Adults-Waterproof/dp/B09ZYHFPNW/ref=sr_1_17_sspa?c=ts&keywords=Metal%2BDetectors&qid=1663098673&s=lawn-garden&sr=1-17-spons&ts_id=554036&th=1) 3/ (Year: 2022).\*

\* cited by examiner

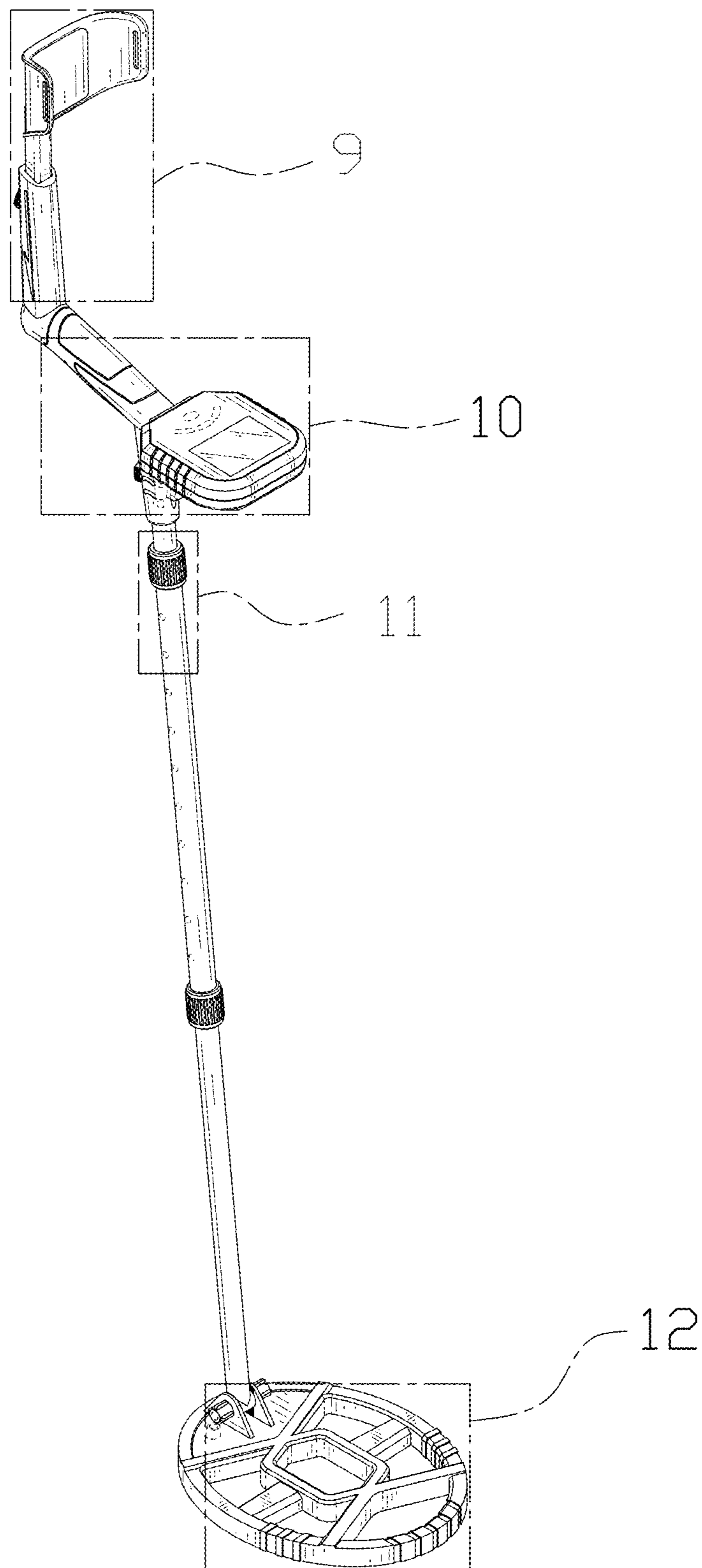


FIG. 1

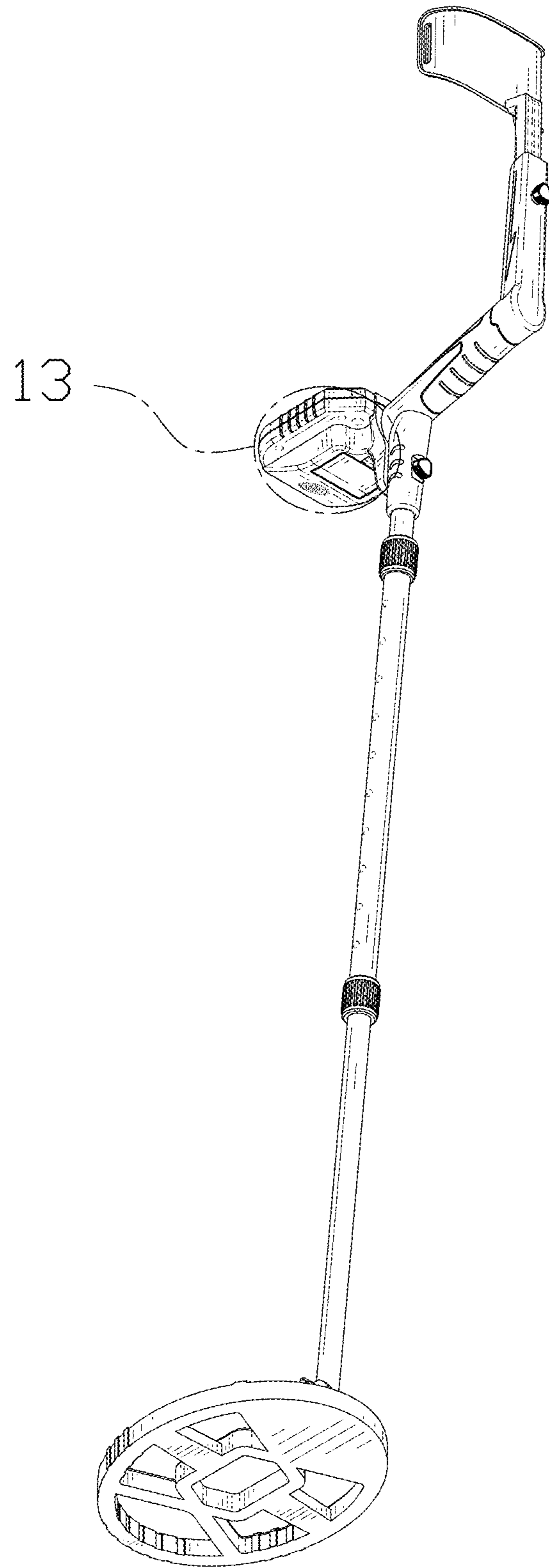


FIG. 2

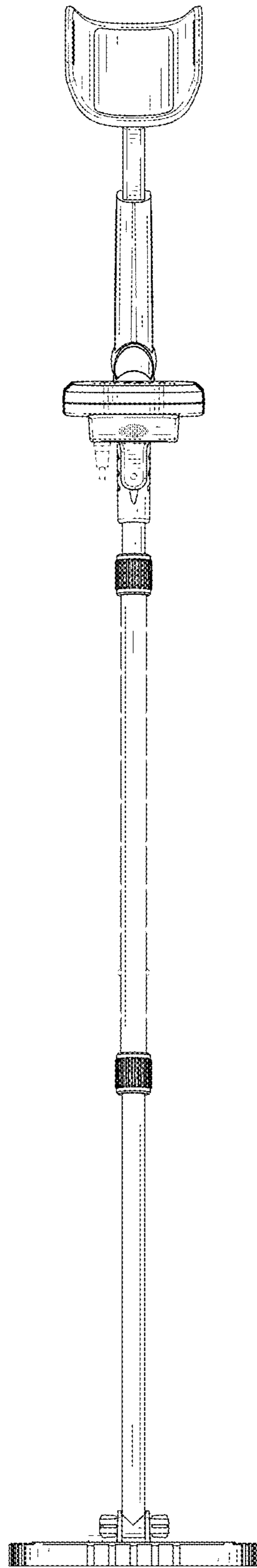


FIG. 3

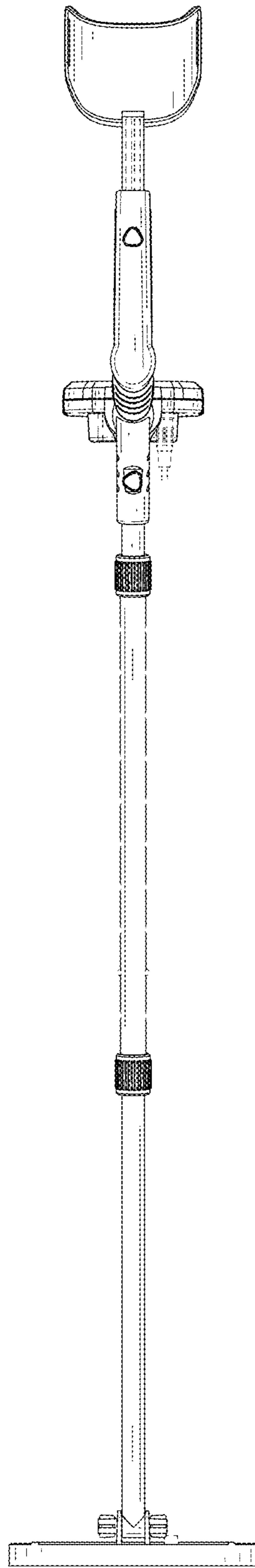


FIG. 4

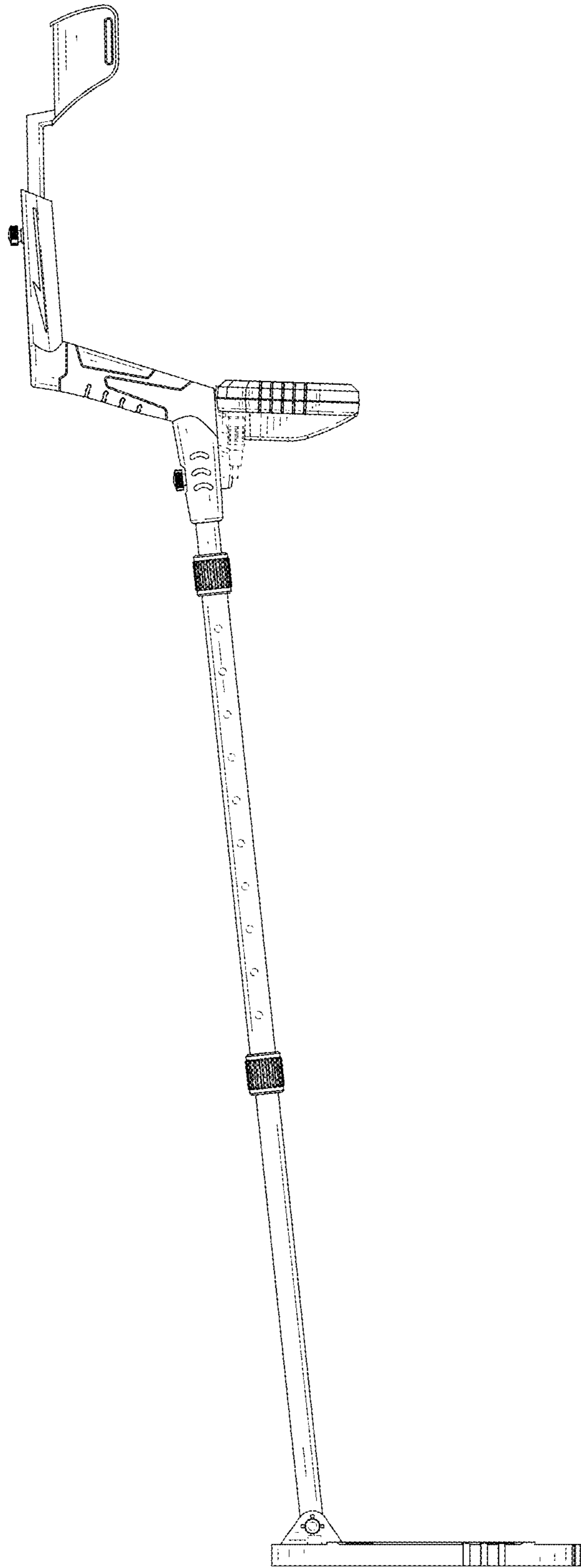


FIG. 5

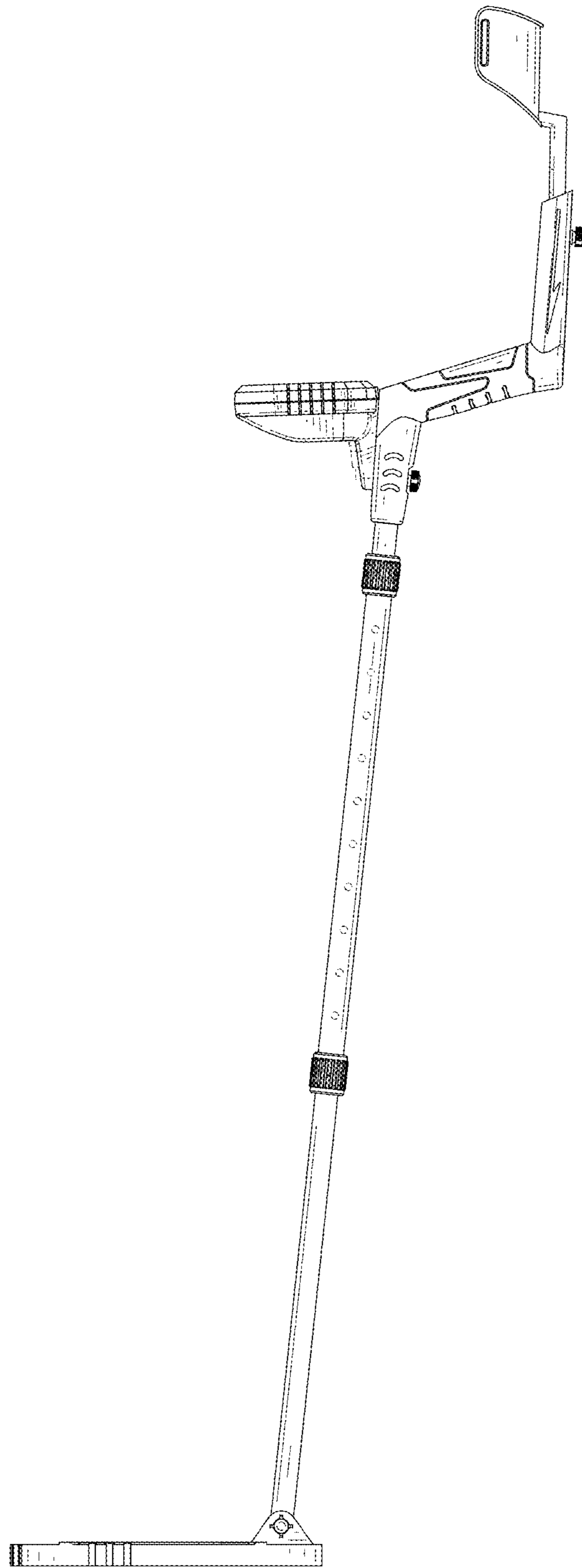


FIG. 6



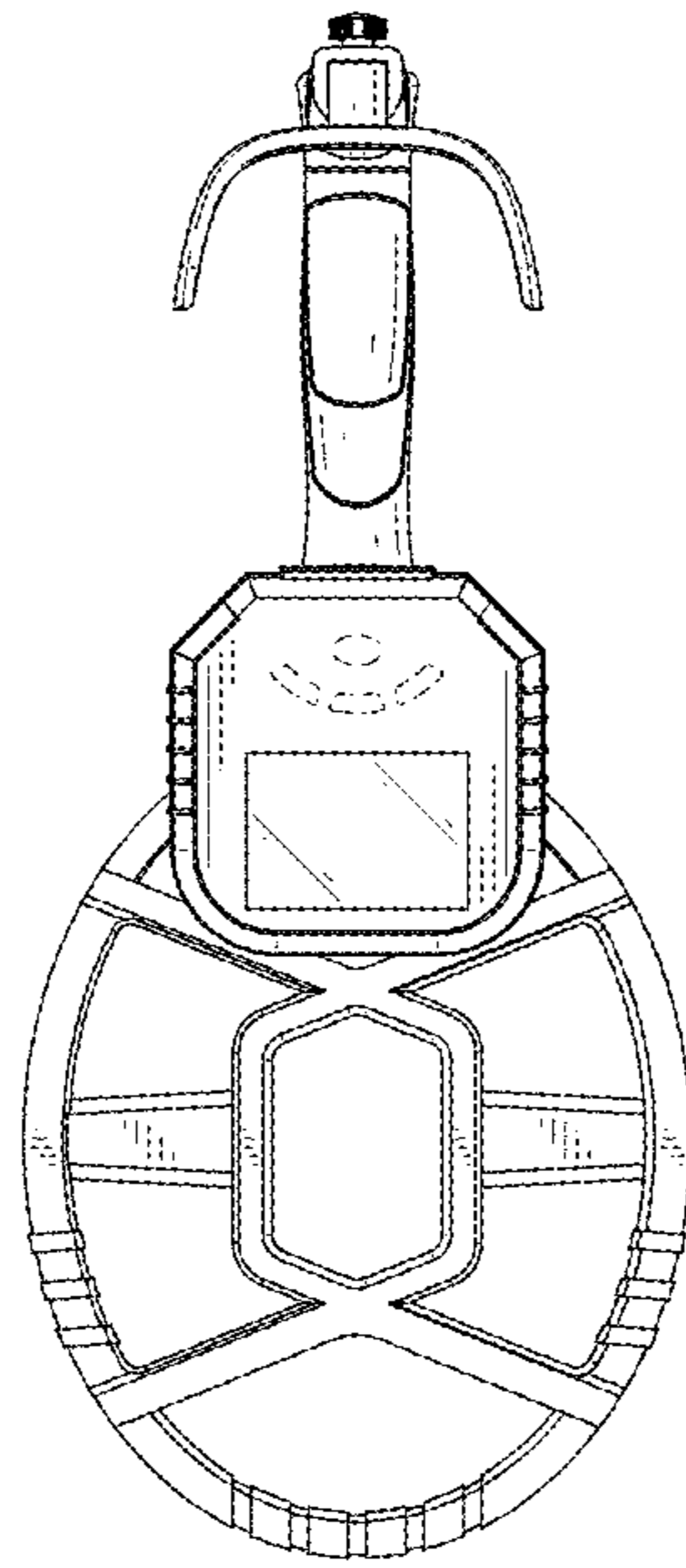


FIG. 7

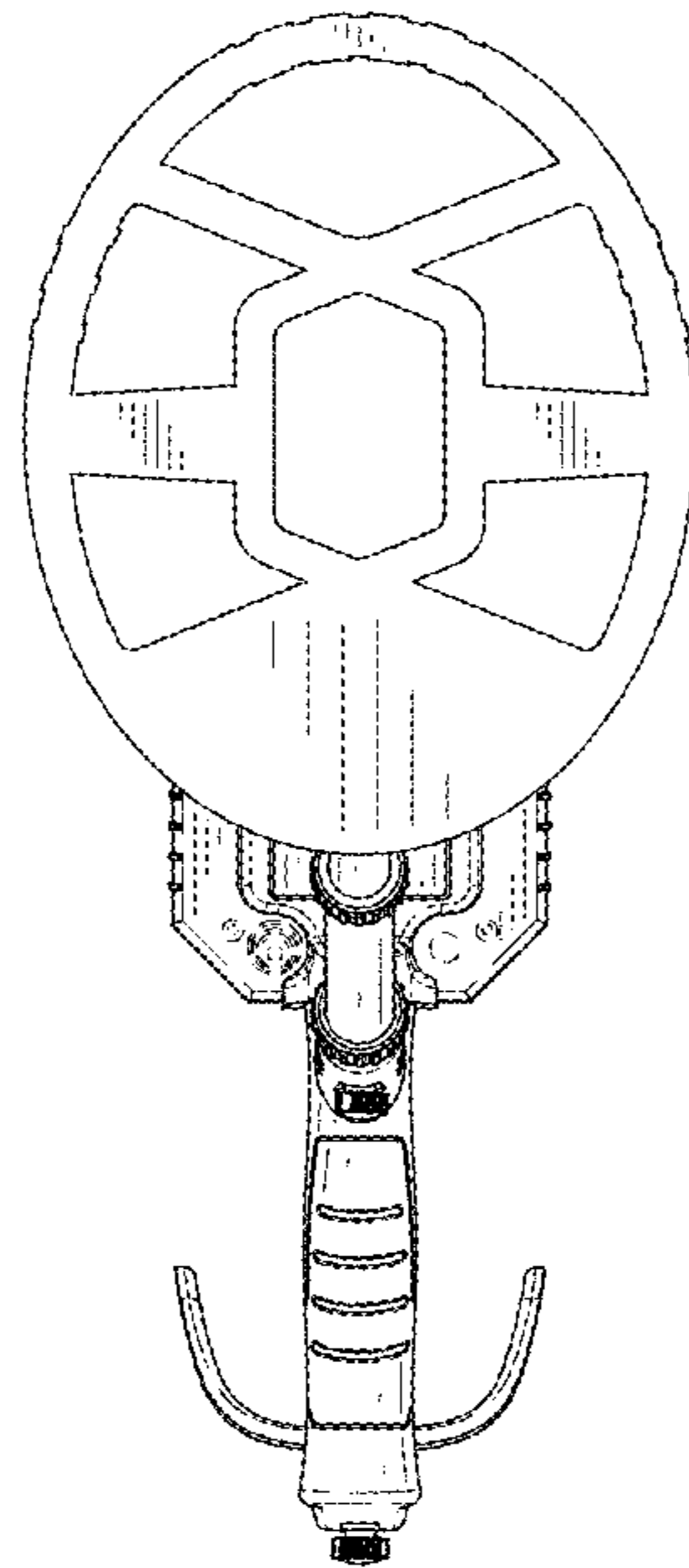


FIG. 8

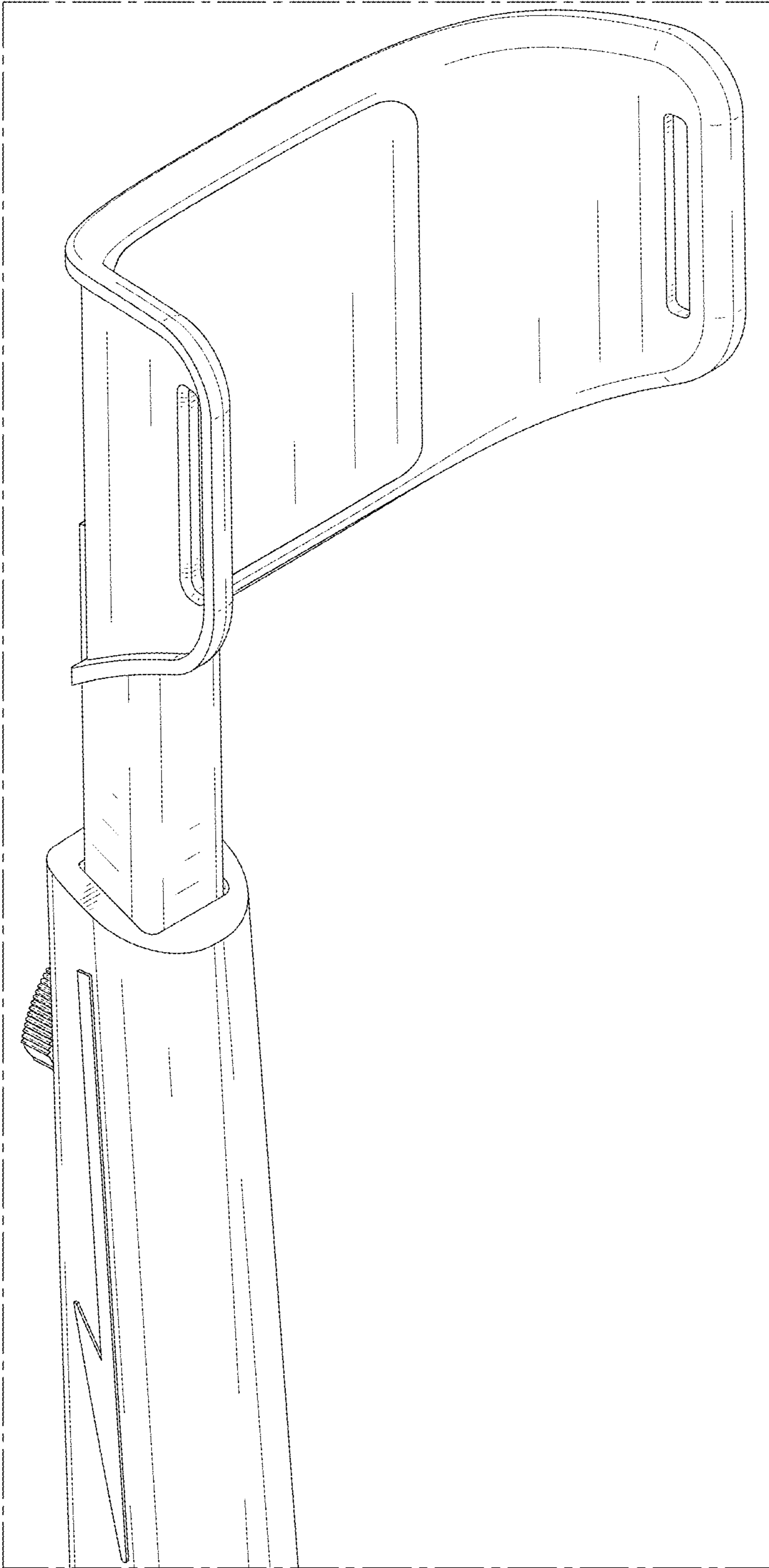


FIG. 9

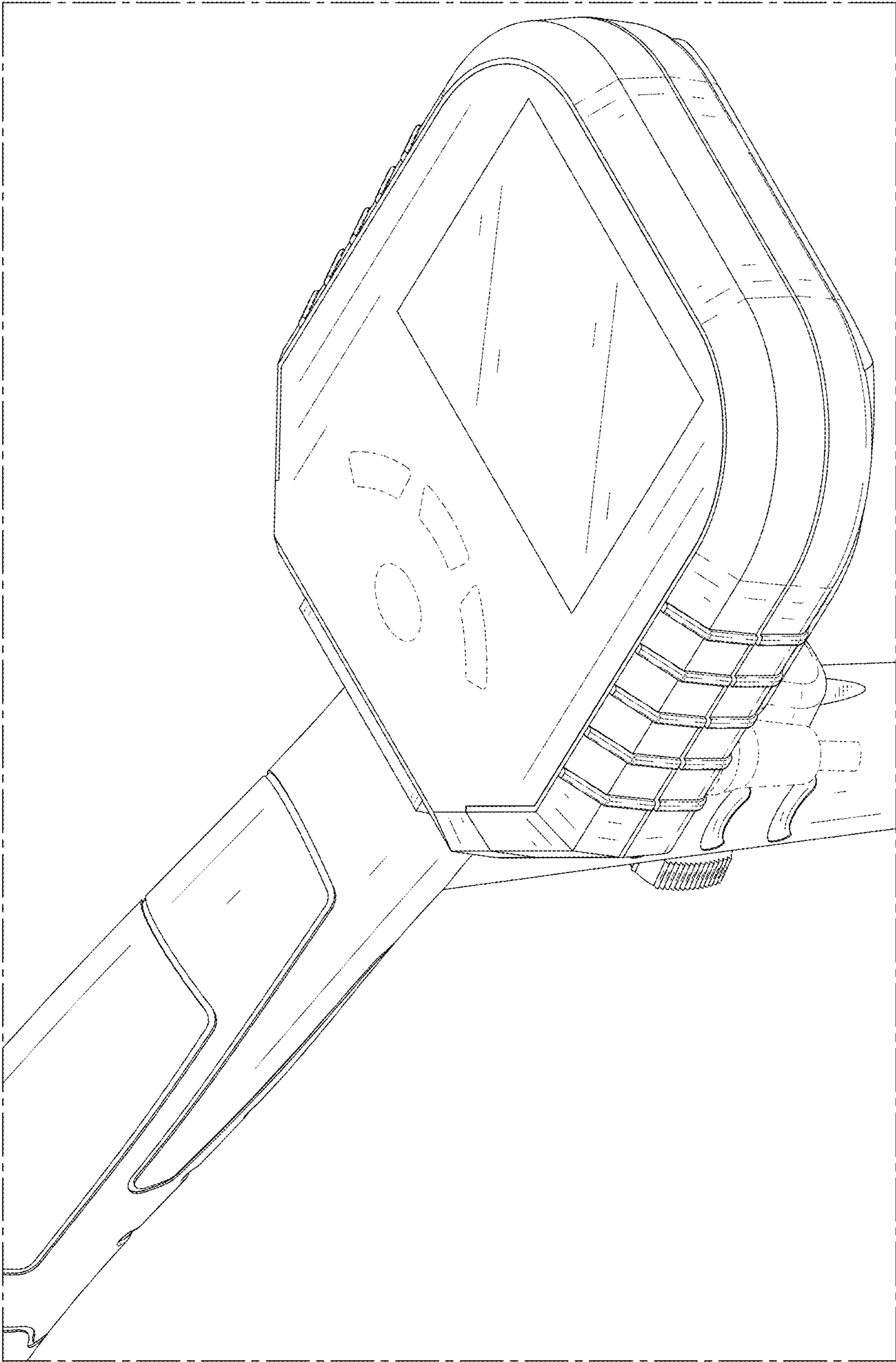


FIG. 10

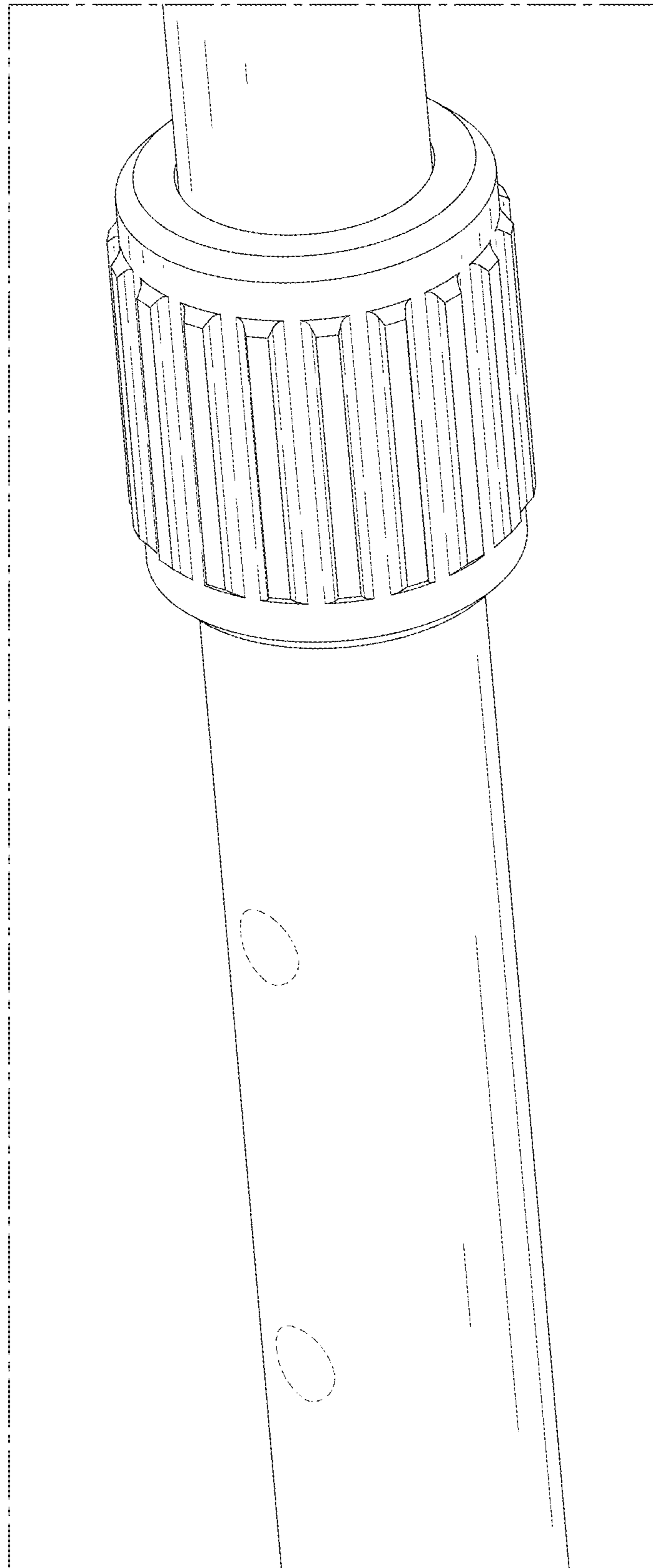


FIG. 11

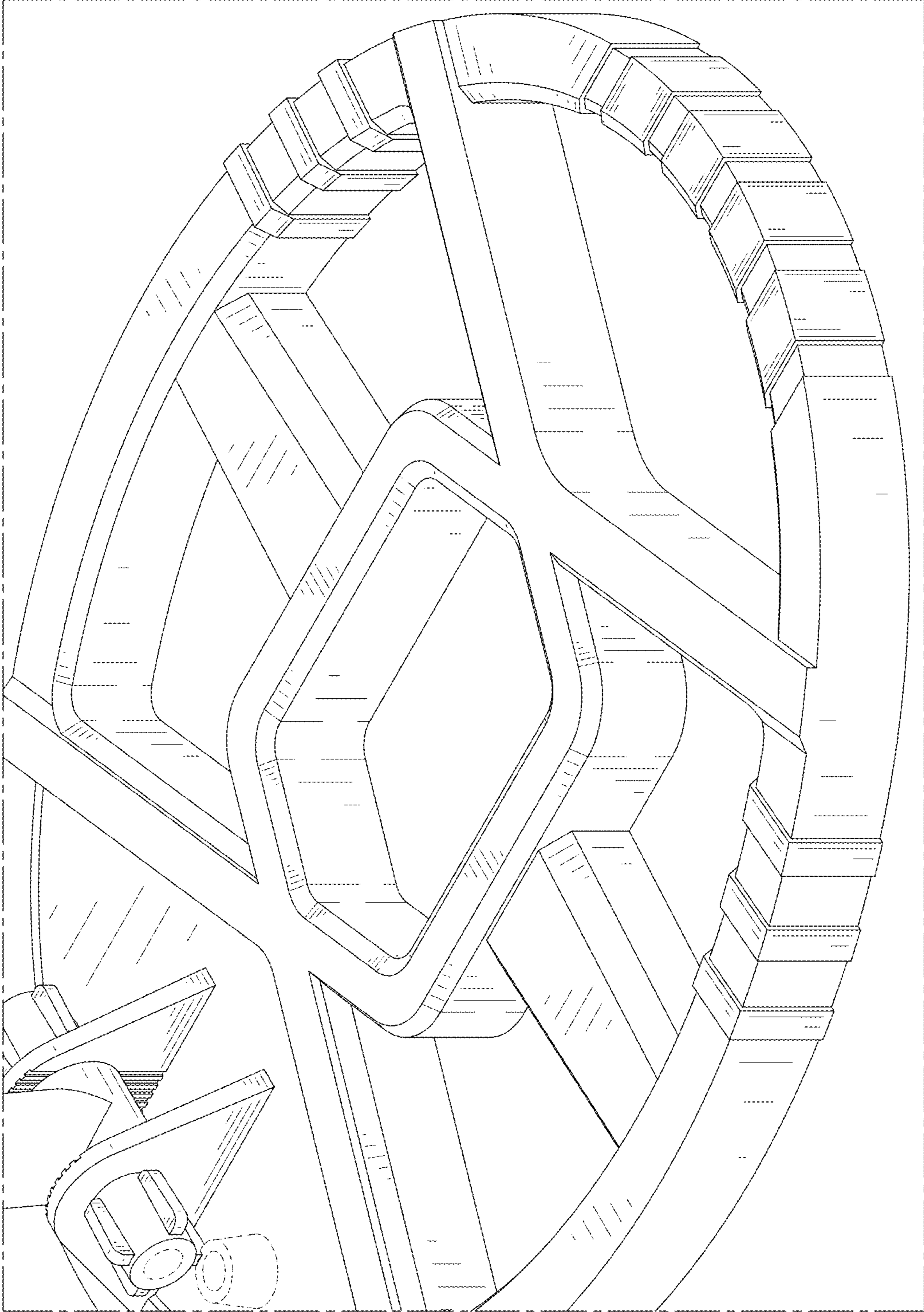


FIG. 12

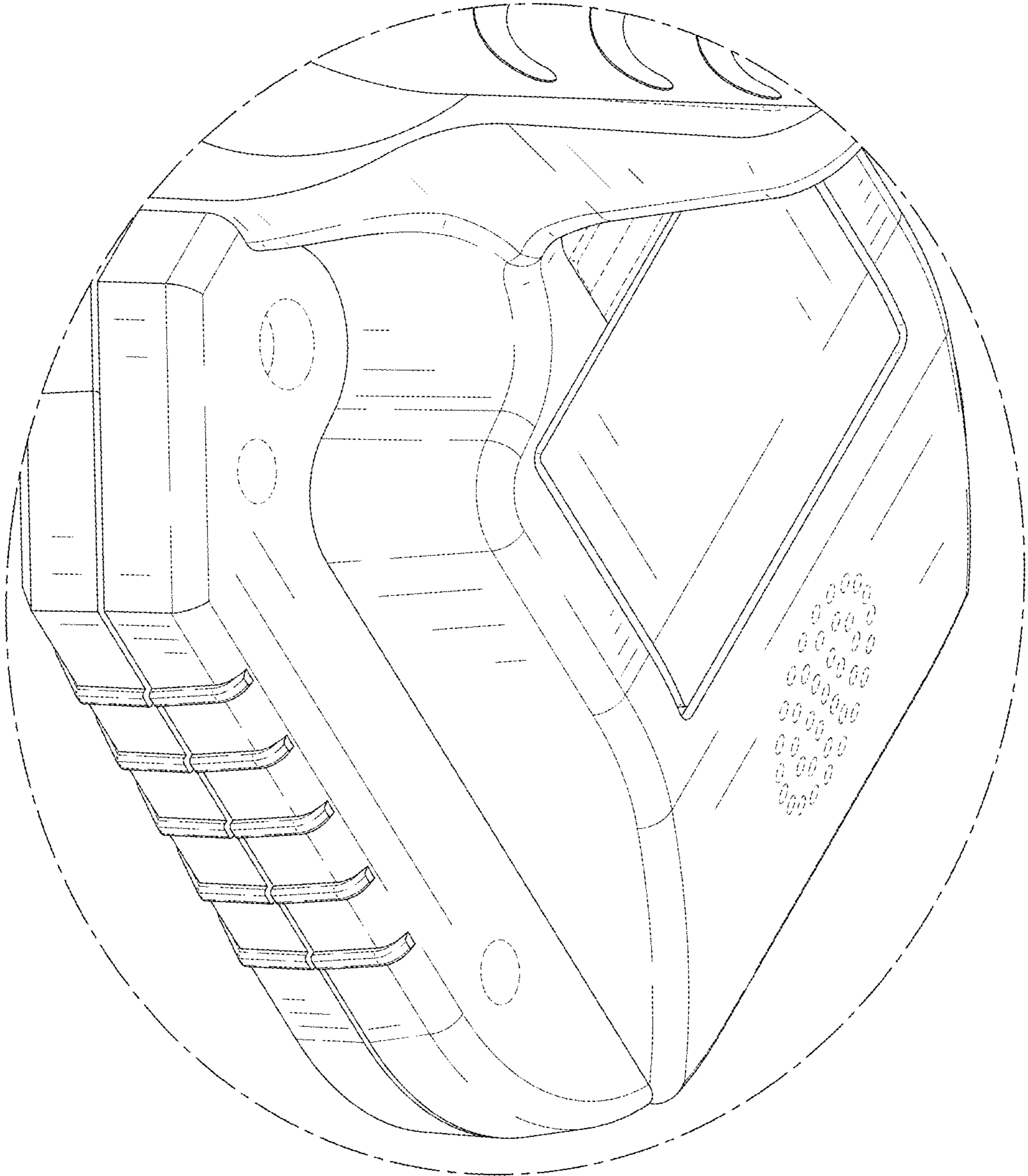


FIG. 13