



US00D970359S

(12) **United States Design Patent**
Deng

(10) **Patent No.:** **US D970,359 S**

(45) **Date of Patent:** **** Nov. 22, 2022**

(54) **METAL DETECTOR**

FOREIGN PATENT DOCUMENTS

(71) Applicant: **SHANGHAI TIANXUN ELECTRONIC EQUIPMENT CO., LTD**, Shanghai (CN)

CN 304918271 * 6/2018
CN 305365945 * 3/2019

(Continued)

(72) Inventor: **Junhong Deng**, Shanghai (CN)

OTHER PUBLICATIONS

(73) Assignee: **SHANGHAI TIANXUN ELECTRONIC EQUIPMENT CO., LTD**, Shanghai (CN)

Ulhund, Metal Detectors, Date first available Jun. 4, 2022, [online]retrieved Sep. 20, 2022, available from https://www.amazon.com/Upgraded-Metal-Detectors-Adults-Waterproof/dp/B09ZYHFPNW/ref=sr_1_17_sspa?c=ts&keywords=Metal%2BDetectors&qid=1663098673&s=lawn-garden&sr=1-17-spons&ts_id=554036&th=1 (Year: 2022).*

(**) Term: **15 Years**

(Continued)

(21) Appl. No.: **29/807,952**

(22) Filed: **Sep. 16, 2021**

Primary Examiner — Keli L Hill

(51) **LOC (13) Cl.** **10-04**

Assistant Examiner — Sara S Sahneh

(52) **U.S. Cl.**

USPC **D10/47**

(58) **Field of Classification Search**

USPC D10/47

CPC G01B 21/08; G01B 11/002; G01B 7/26; G01B 5/24; G01B 11/00; G01B 21/16; G01V 3/10; G01V 3/087; G01V 3/081; G01V 3/165; G01V 3/088; G01V 3/40; G01V 3/08; G01V 3/15; G01V 3/104; G01V 3/105; G01V 3/17; G06K 9/6215; G01C 19/00; G01P 15/08; G06V 10/143; H04W 4/029; H04W 4/02; G08B 21/24

See application file for complete search history.

(57) **CLAIM**

The ornamental design for a metal detector, as shown and described.

DESCRIPTION

FIG. 1 is a perspective view of a metal detector showing my new design;
FIG. 2 is another perspective view thereof;
FIG. 3 is a front elevational view thereof;
FIG. 4 is a rear elevational view thereof;
FIG. 5 is a left side elevational view thereof;
FIG. 6 is a right side elevational view thereof;
FIG. 7 is a top plan view thereof;
FIG. 8 is a bottom plan view thereof; and,
FIG. 9 is an enlarged view of portion 9 shown in FIG. 3.
The dash-dash broken lines in the drawings depict portions of the metal detector that form no part of the claimed design. The dot-dash broken lines represent boundaries of the enlarged portion and form no part of the claimed design.

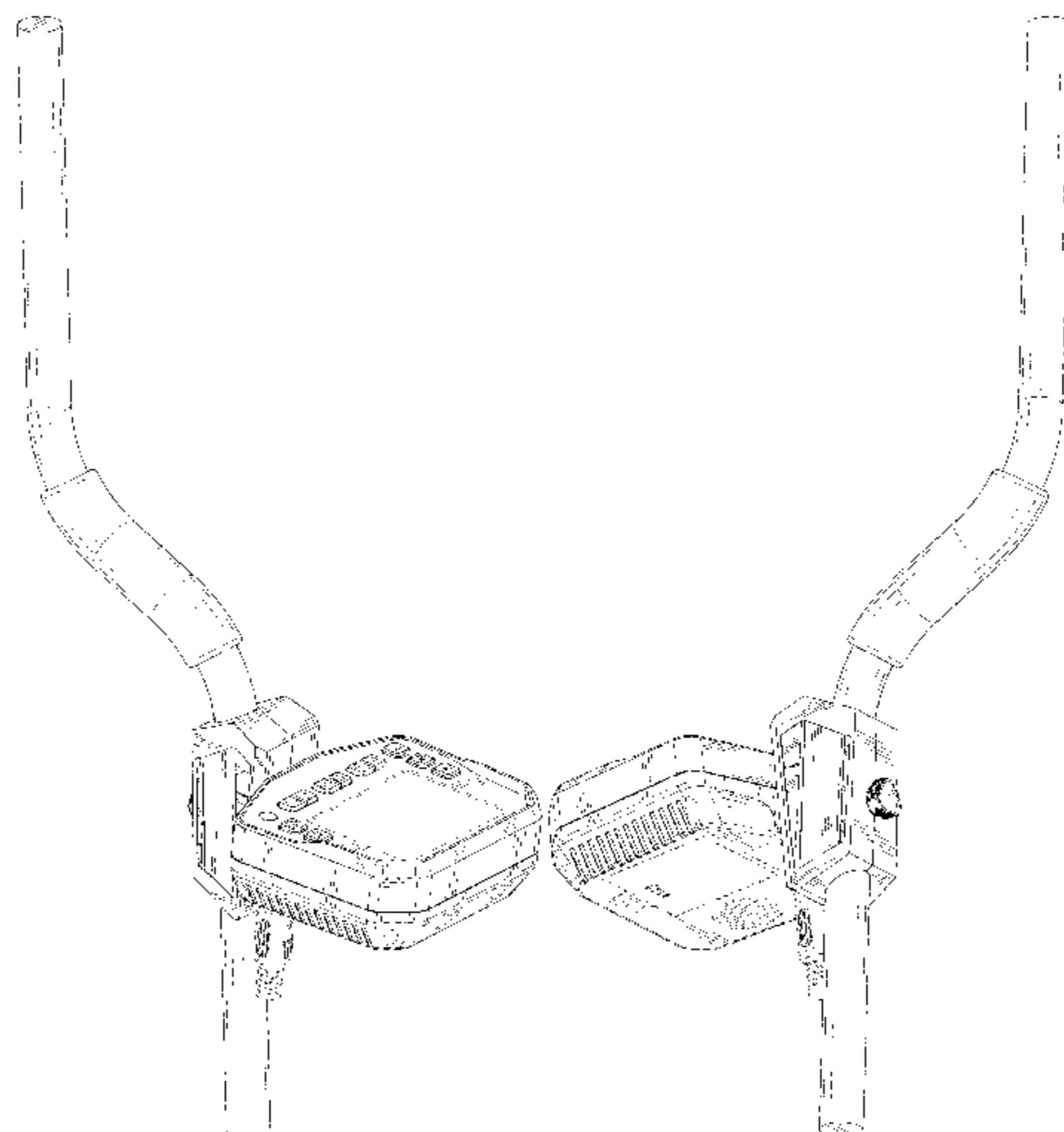
(56) **References Cited**

U.S. PATENT DOCUMENTS

D844,463 S * 4/2019 Zhang D10/47
D863,077 S 10/2019 Shao
D881,034 S * 4/2020 Zhang D10/47
D881,035 S * 4/2020 Zhang D10/47
D881,727 S * 4/2020 Deng D10/47
D885,206 S * 5/2020 Deng D10/47
D887,870 S * 6/2020 Qin D10/47
D889,999 S 7/2020 Qin
D899,275 S * 10/2020 Ye D10/47

(Continued)

1 Claim, 9 Drawing Sheets



(56)

References Cited

U.S. PATENT DOCUMENTS

D907,513 S * 1/2021 Qin D10/47
D918,062 S * 5/2021 Qin D10/47
D927,994 S * 8/2021 Deng D10/47
D927,995 S * 8/2021 Deng D10/47
2014/0139210 A1* 5/2014 Walsh G01V 3/10
324/239
2021/0255351 A1* 8/2021 Yavas G01B 21/08

FOREIGN PATENT DOCUMENTS

CN 305686480 * 6/2019
CN 305686494 * 7/2019
CN 307324125 * 1/2022
EM 007983176-0001 * 6/2020
GB 9008188908-0007 * 9/2020

OTHER PUBLICATIONS

Ulhund,Metal Detector, Date first available Nov. 12, 2021,
[online]retrieved Sep. 26, 2022,available from https://www.amazon.com/dp/B0B394W3BQ/ref=sspa_dk_detail_4?pd_rd_i=B0B394W3BQ&pd_rd_w=jbHWi&content-id=amzn1.sym.3258a74d-a59c... (Year: 2021).*

* cited by examiner

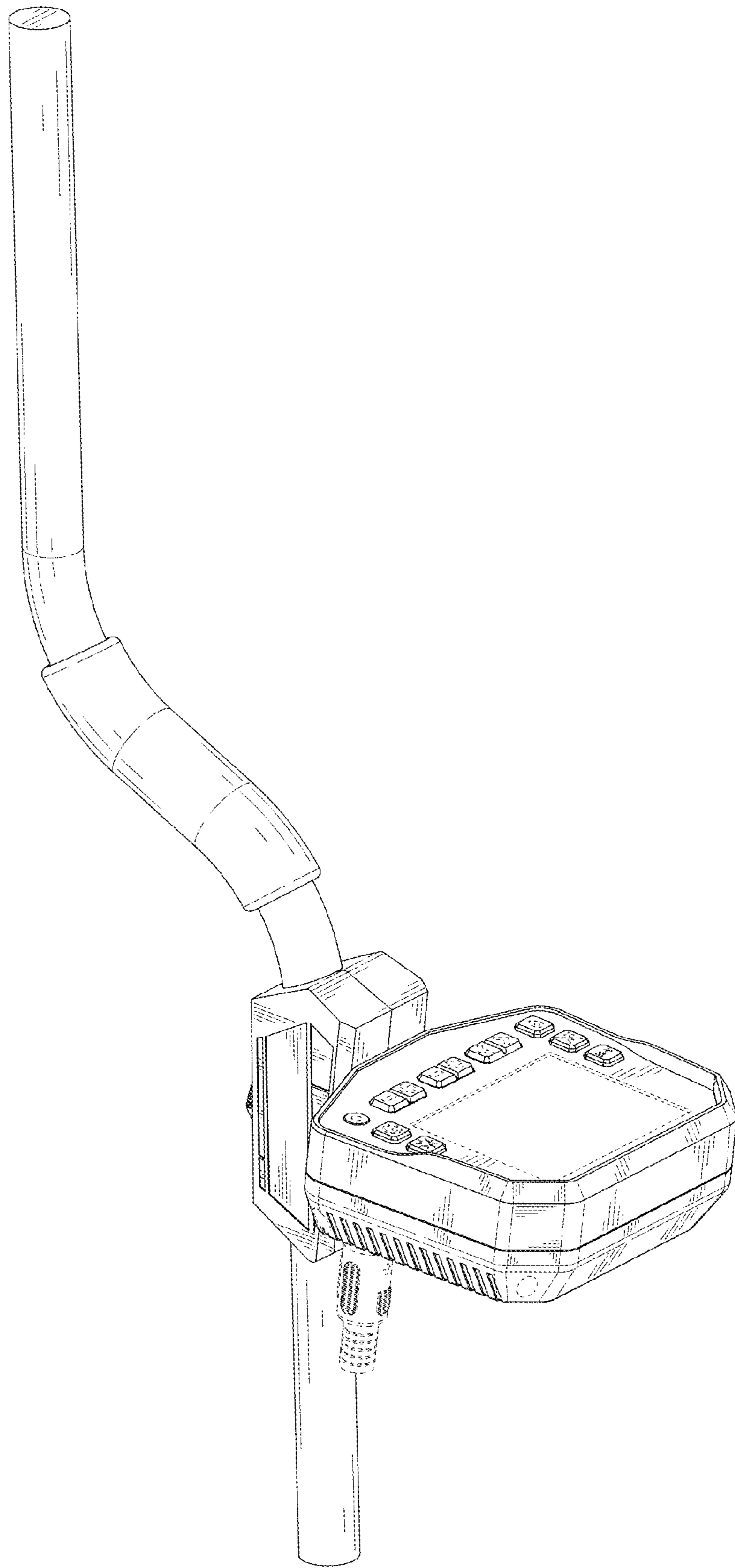


FIG. 1

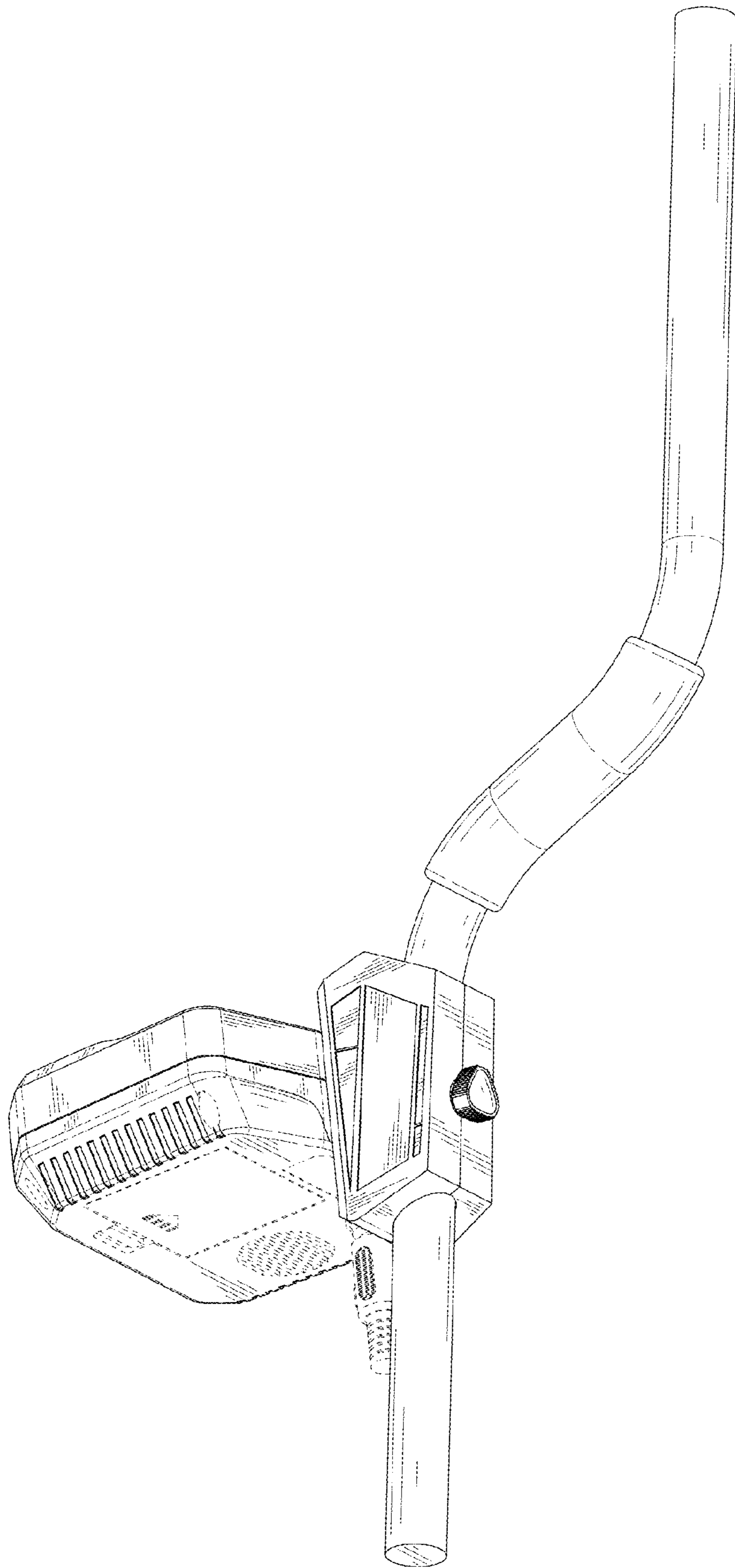


FIG. 2

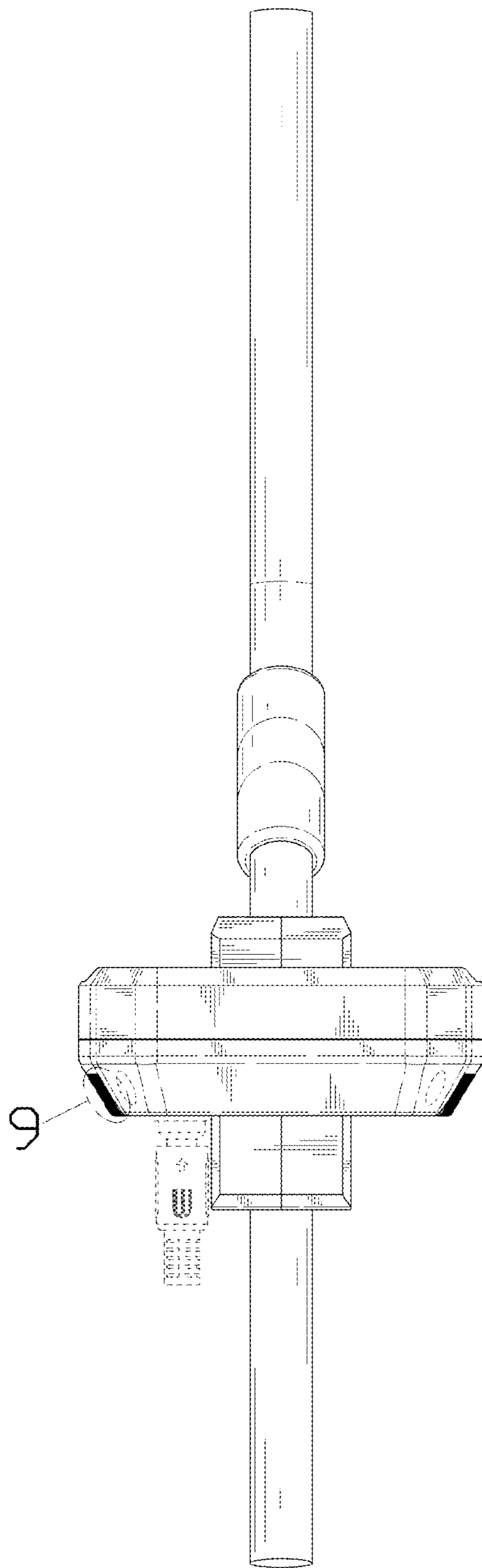


FIG. 3

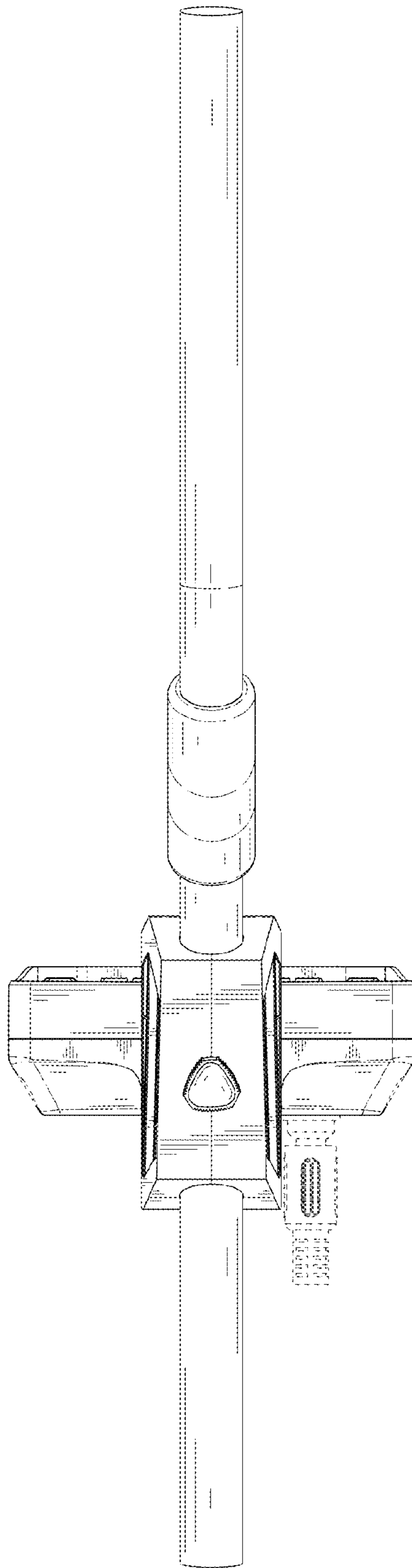


FIG. 4

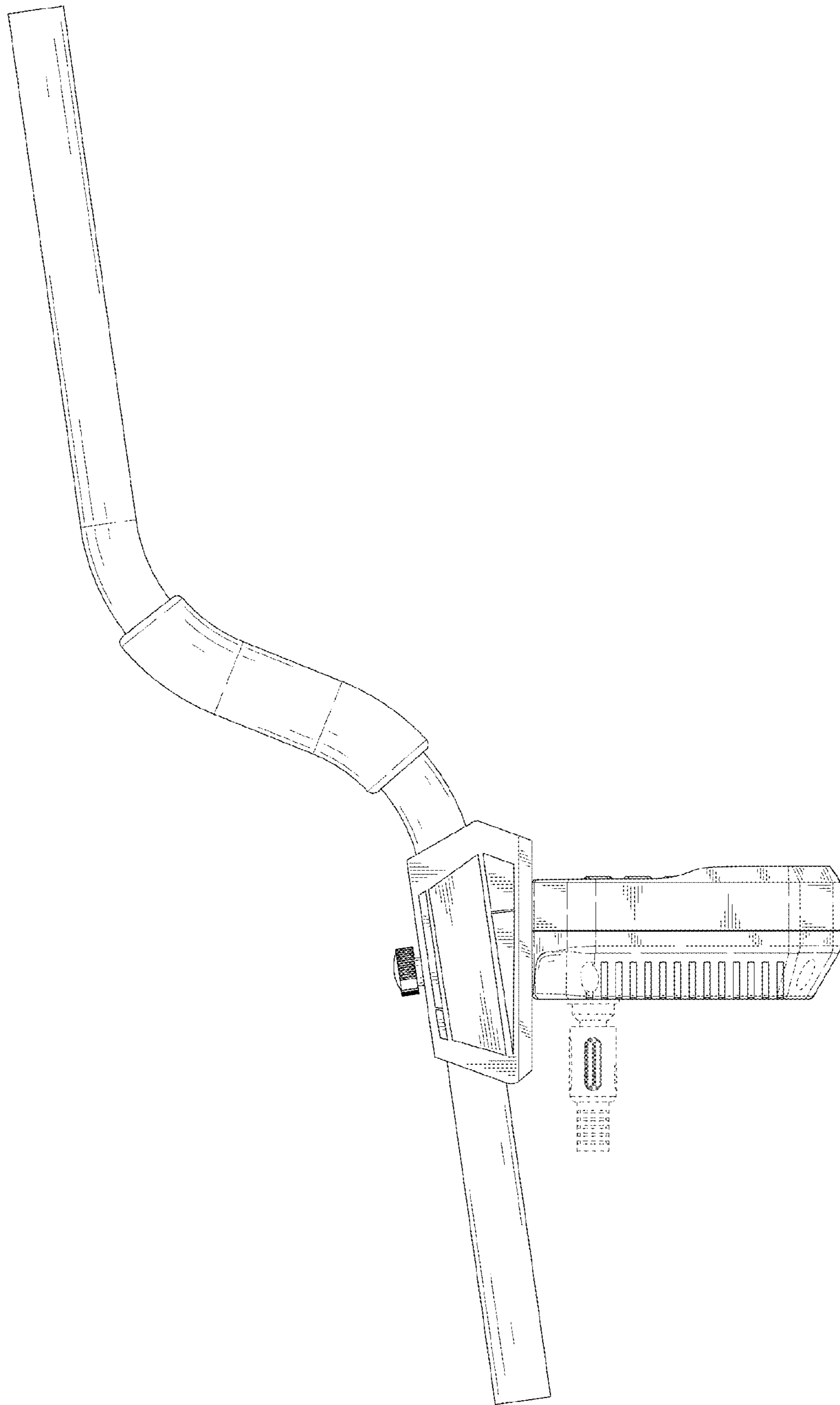


FIG. 5

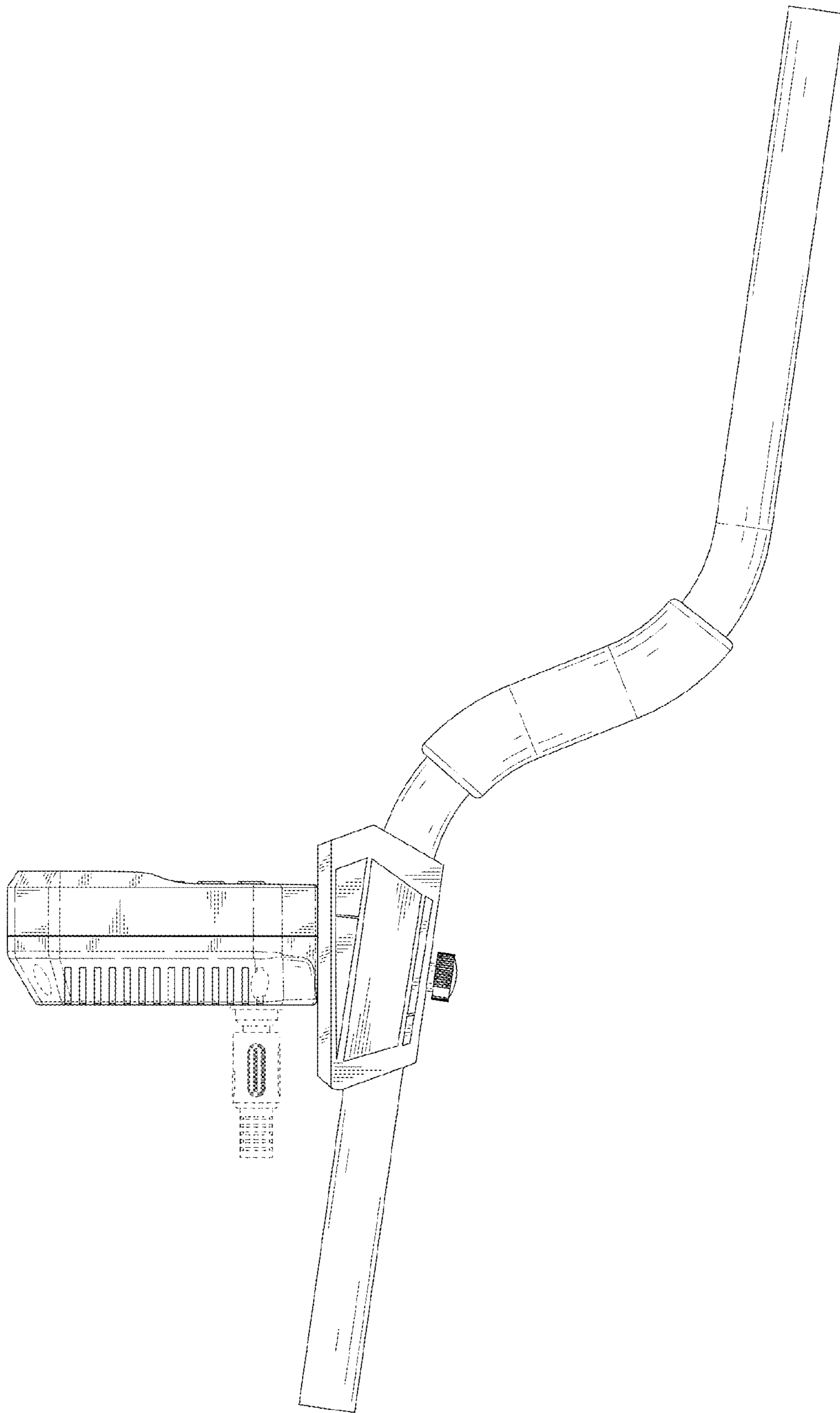


FIG. 6

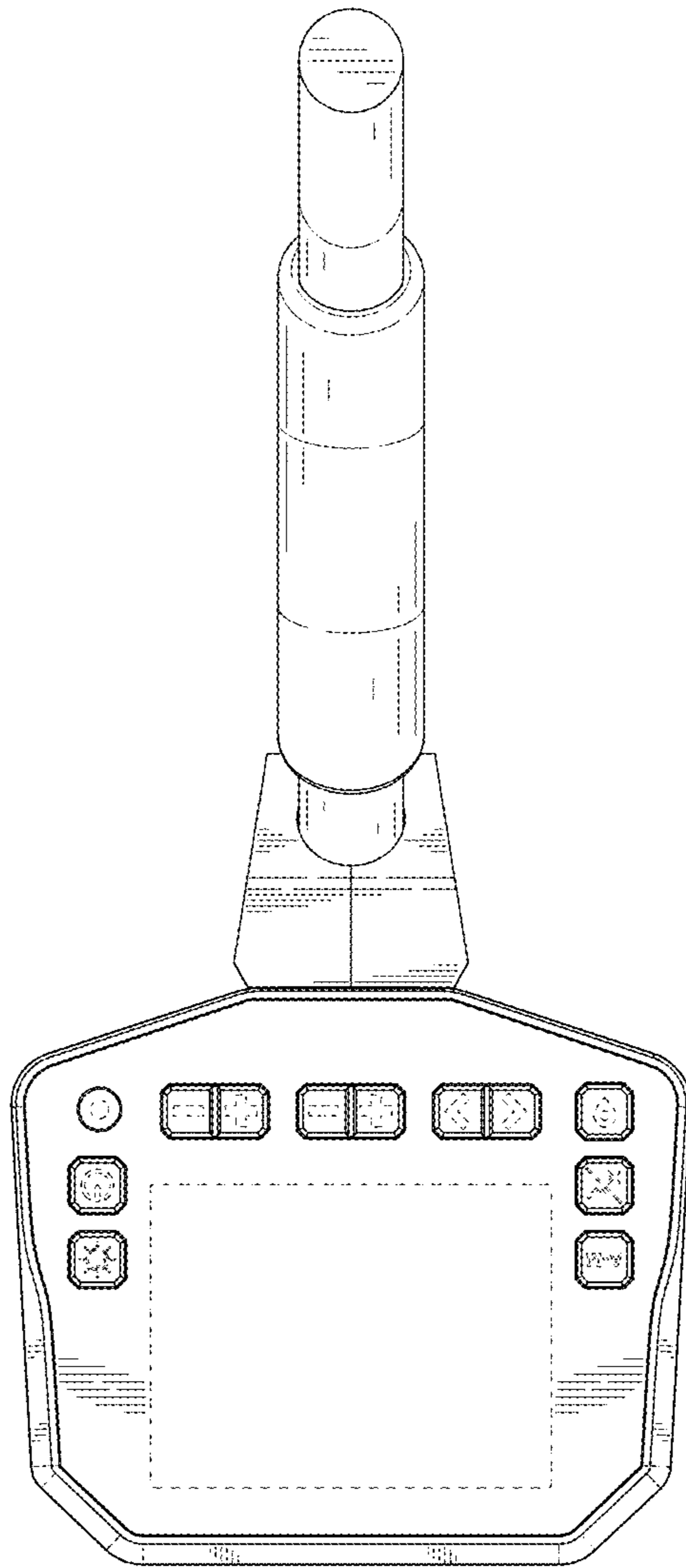


FIG. 7

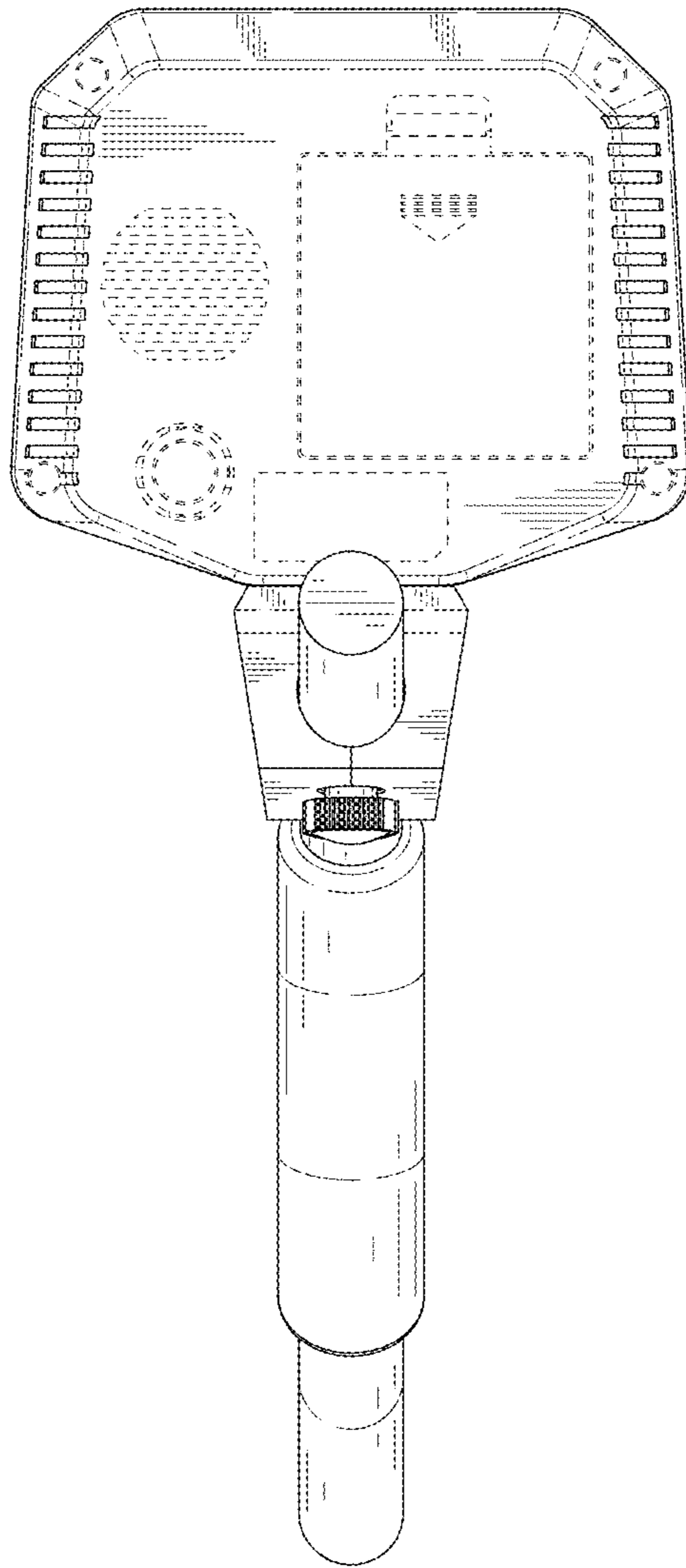


FIG. 8

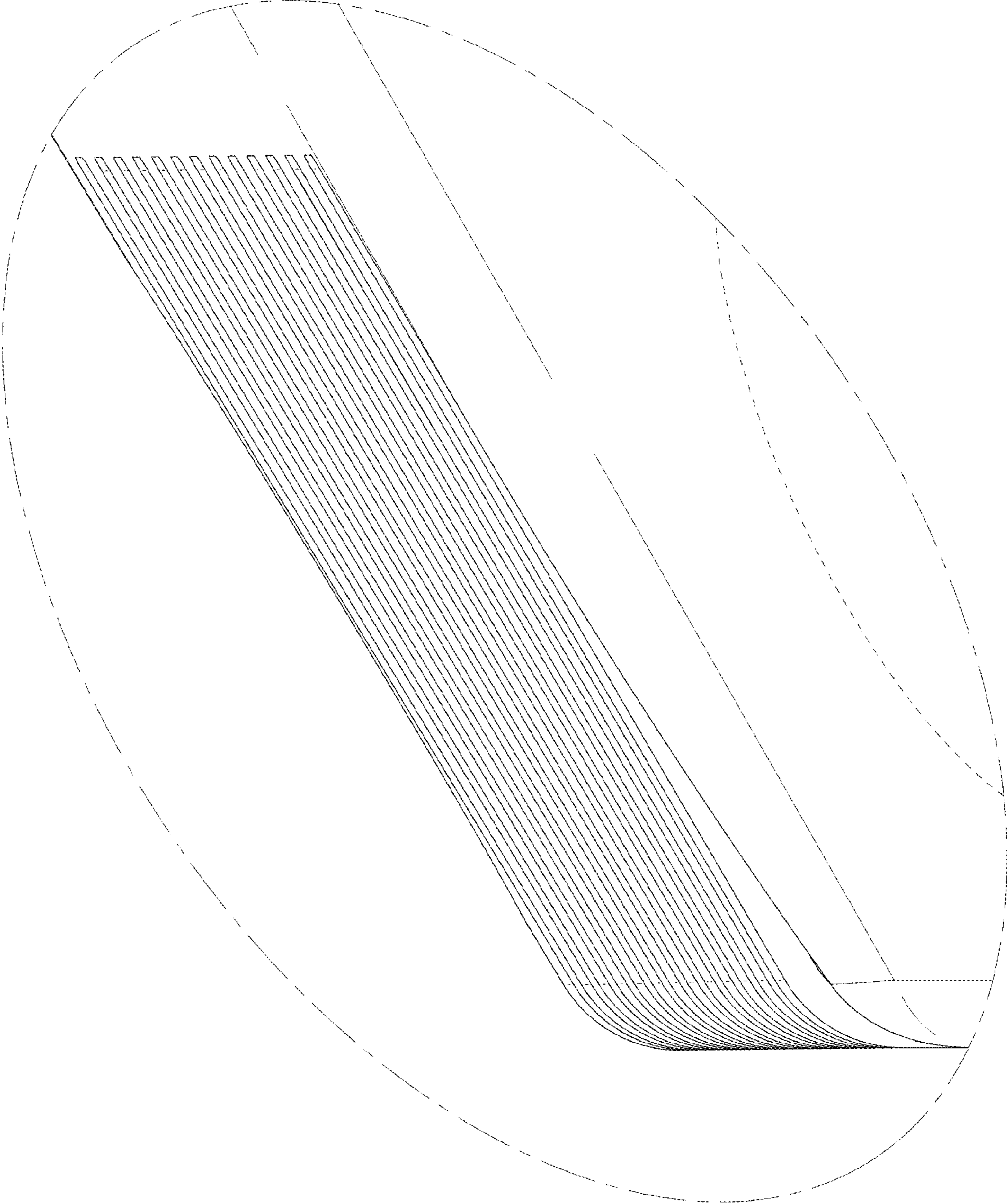


FIG. 9