



US00D970354S

(12) **United States Design Patent** (10) **Patent No.:** **US D970,354 S**  
**Dratch** (45) **Date of Patent:** **\*\* Nov. 22, 2022**

(54) **PACKAGED INFLATABLE BALL**  
(71) Applicant: **General Printing & Design, Inc.**,  
Marlborough, MA (US)  
(72) Inventor: **Douglas Dratch**, Southborough, MA  
(US)  
(73) Assignee: **GENERAL PRINTING & DESIGN,  
INC.**, Marlborough, MA (US)  
(\*\*) Term: **15 Years**  
(21) Appl. No.: **29/825,527**  
(22) Filed: **Feb. 2, 2022**  
(51) **LOC (13) Cl.** ..... **09-01**  
(52) **U.S. Cl.**  
USPC ..... **D9/721**  
(58) **Field of Classification Search**  
USPC ..... D9/414, 418, 432, 433, 715, 721  
CPC .. B65D 5/4204; B65D 5/5009; B65D 5/5007;  
B65D 5/029; B65D 5/5019; B65D 85/00;  
B65D 5/02; B65D 2585/00  
See application file for complete search history.

D352,453 S 11/1994 Bacchetti et al.  
D356,253 S 3/1995 Bacchetti et al.  
D357,181 S 4/1995 Baker  
D361,718 S 8/1995 Baker  
D386,533 S \* 11/1997 Kvoka ..... D9/418  
5,881,885 A \* 3/1999 Grimm ..... B65D 5/5009  
206/315.9  
6,199,692 B1 \* 3/2001 Van Ness ..... B65D 5/5019  
206/315.9  
D446,717 S 8/2001 Lancaster et al.  
D466,406 S 12/2002 Solland  
D525,878 S 8/2006 Wijerama  
D529,399 S 10/2006 Wijerama  
D530,196 S 10/2006 Wijerama  
D532,686 S 11/2006 Wijerama  
D535,193 S \* 1/2007 Rutledge ..... D9/721  
D551,969 S 10/2007 Aurilio et al.

(Continued)

*Primary Examiner* — Lauren R Calve  
(74) *Attorney, Agent, or Firm* — Morgan, Lewis &  
Bockius LLP

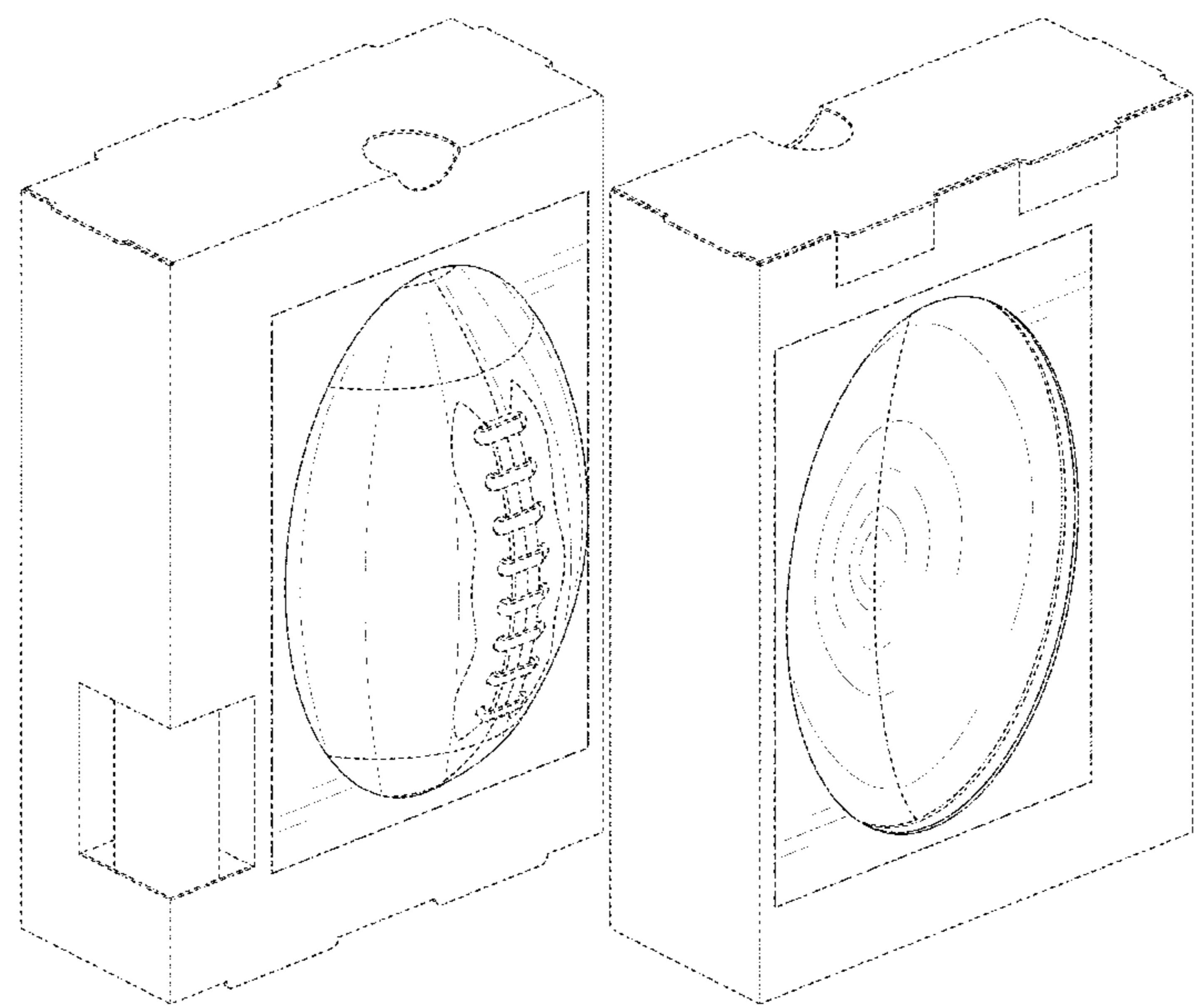
(57) **CLAIM**  
The ornamental design for a packaged inflatable ball, as  
shown and described.

**DESCRIPTION**

FIG. 1 is a front perspective view of a packaged inflatable  
ball showing my new design;  
FIG. 2 is a rear perspective view thereof;  
FIG. 3 is a front elevational view thereof;  
FIG. 4 is a rear elevational view thereof;  
FIG. 5 is a left-side elevational view thereof;  
FIG. 6 is a right-side elevational view thereof;  
FIG. 7 is a top plan view thereof; and,  
FIG. 8 is a bottom plan view thereof.  
The dash-dot-dash broken lines are boundary lines that form  
no part of the claimed design. The remaining evenly spaced  
broken lines depict portions of the packaged inflatable ball  
that form no part of the claimed design.

**1 Claim, 8 Drawing Sheets**

(56) **References Cited**  
U.S. PATENT DOCUMENTS  
D34,665 S 6/1901 Schullinger  
3,322,263 A \* 5/1967 Gulliver ..... B65D 5/58  
206/583  
3,369,660 A \* 2/1968 Hartman ..... B65D 5/4204  
206/294  
3,987,893 A \* 10/1976 Hanson ..... B65D 5/5009  
206/315.9  
D246,440 S 11/1977 Hanson  
D272,805 S 2/1984 Johnsen  
D304,907 S 12/1989 Tamsen et al.  
D309,262 S 7/1990 Coiner  
D329,377 S 9/1992 Cortelli et al.  
D346,960 S 5/1994 Bennett



(56)

**References Cited**

U.S. PATENT DOCUMENTS

D567,646	S	4/2008	Ballard	
D640,128	S	6/2011	Harshman	
D663,198	S	7/2012	White et al.	
D691,036	S	10/2013	Sill	
D701,455	S	3/2014	Shepherd et al.	
D702,546	S	4/2014	McAdam	
D710,713	S	8/2014	Fath	
D732,384	S	6/2015	Fath	
D734,145	S	7/2015	Fath et al.	
D735,572	S	8/2015	Fath et al.	
D743,248	S	11/2015	Fath et al.	
D746,699	S	1/2016	Fath	
D750,972	S	3/2016	Fan	
D751,417	S	3/2016	Fan	
D751,418	S	3/2016	Fan	
D752,994	S	4/2016	Fan	
D755,044	S	5/2016	Nettenstrom et al.	
D785,450	S	5/2017	Purciello	
D797,550	S	9/2017	Fath	
D806,531	S	1/2018	Fan	
D820,688	S	6/2018	Fath	
D827,425	S	9/2018	Bercaw et al.	
D845,121	S	4/2019	Webb et al.	
D846,982	S	4/2019	Horne	
D849,525	S	5/2019	Treat et al.	
D854,925	S	7/2019	Fath	
D870,551	S	12/2019	Klesmith	
D889,956	S	7/2020	Uyeda	
2005/0045526	A1 *	3/2005	Constant .....	B65D 5/5019 206/769
2007/0125897	A1 *	6/2007	Wijerama .....	B65D 5/4295 242/588.2
2008/0047858	A1 *	2/2008	Conklin .....	B65D 5/10 206/315.9

\* cited by examiner

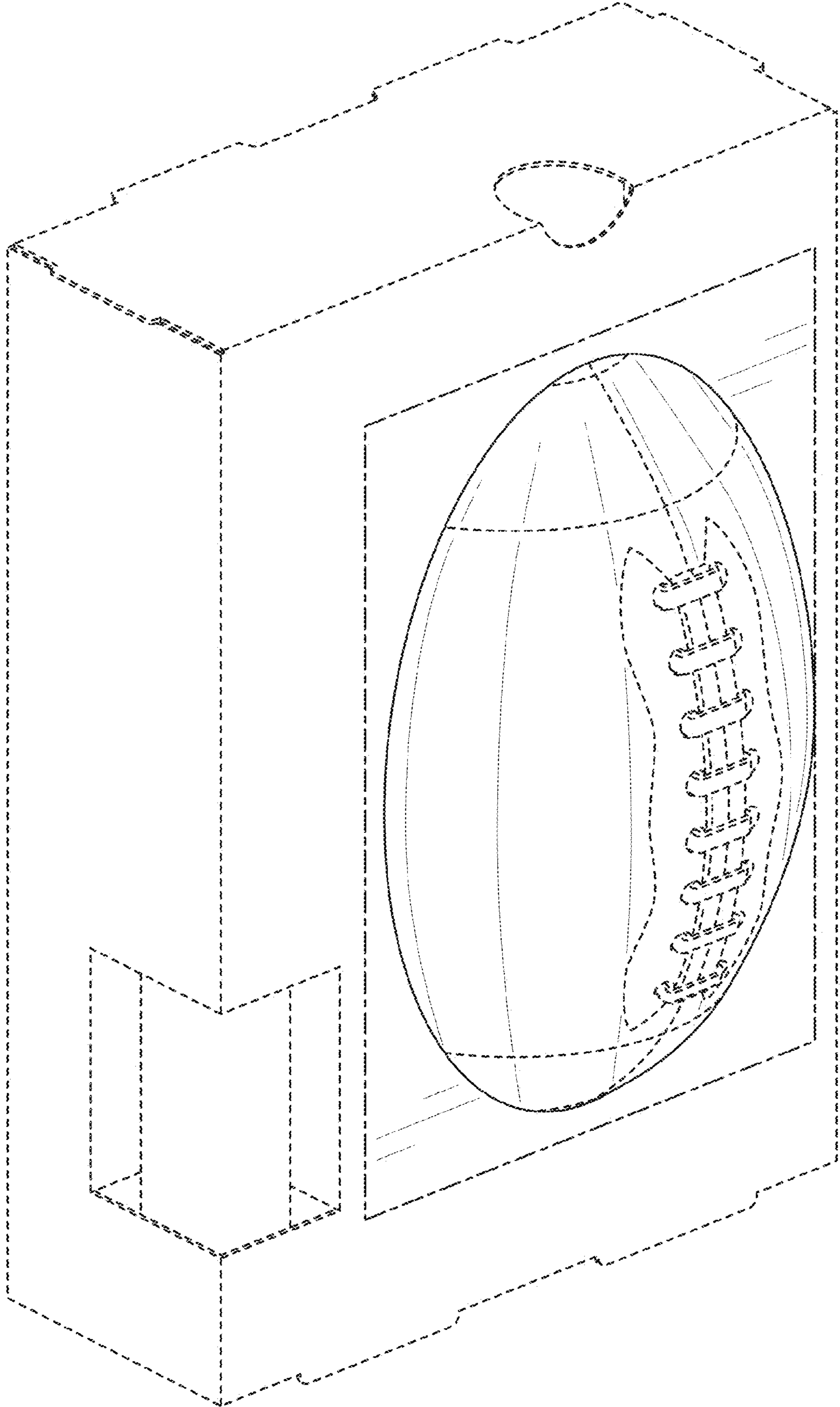


FIG. 1

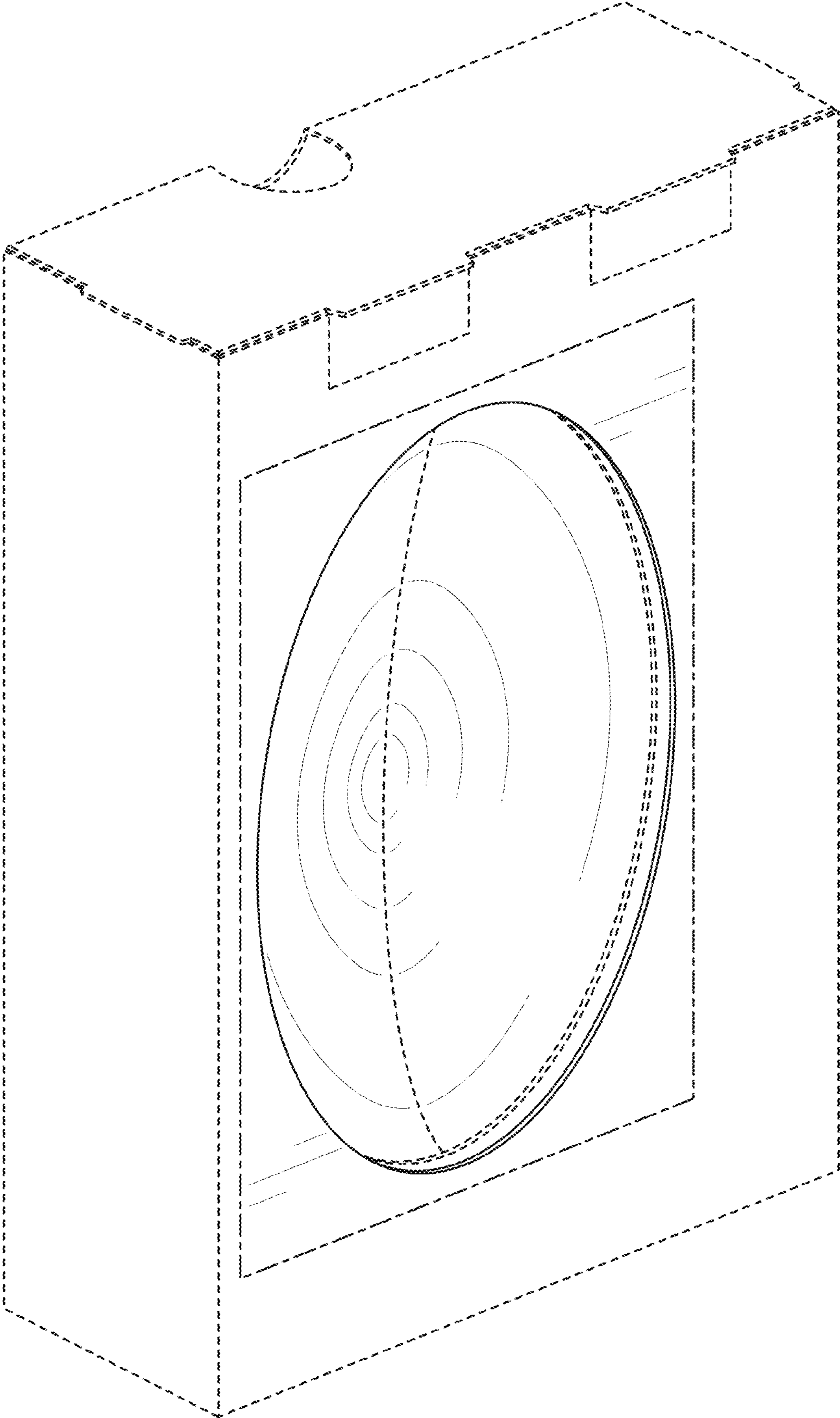


FIG. 2

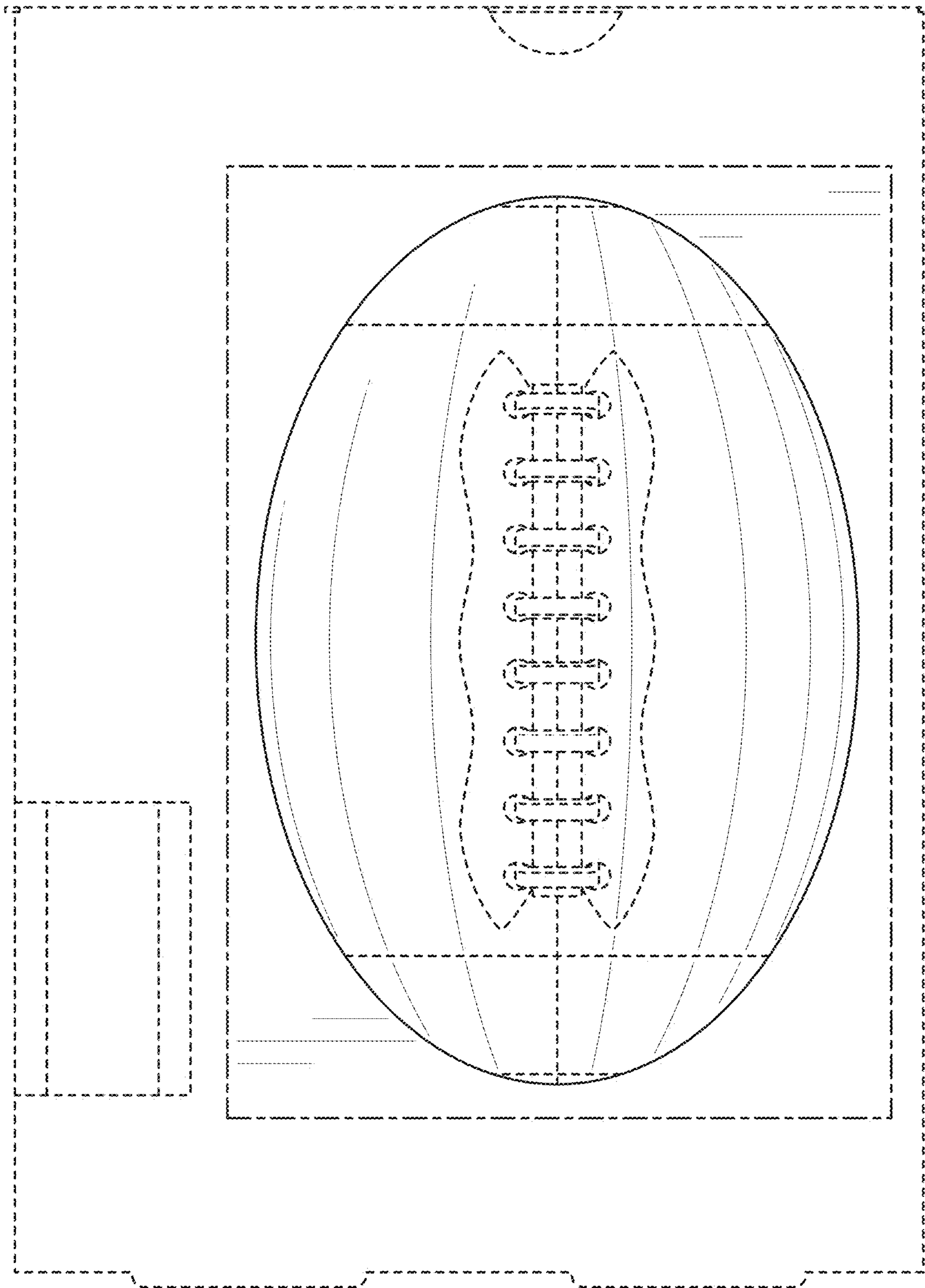


FIG. 3

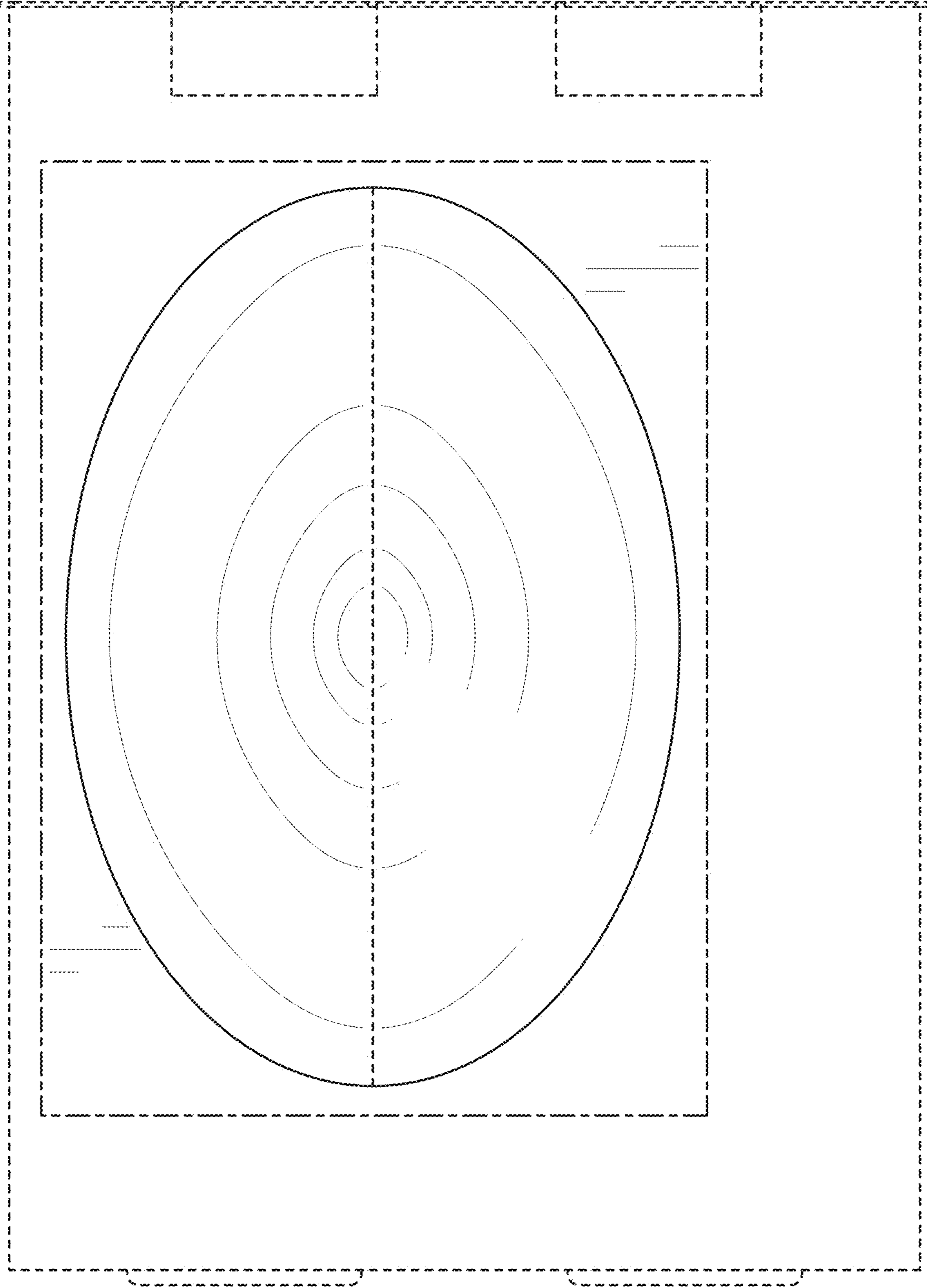


FIG. 4

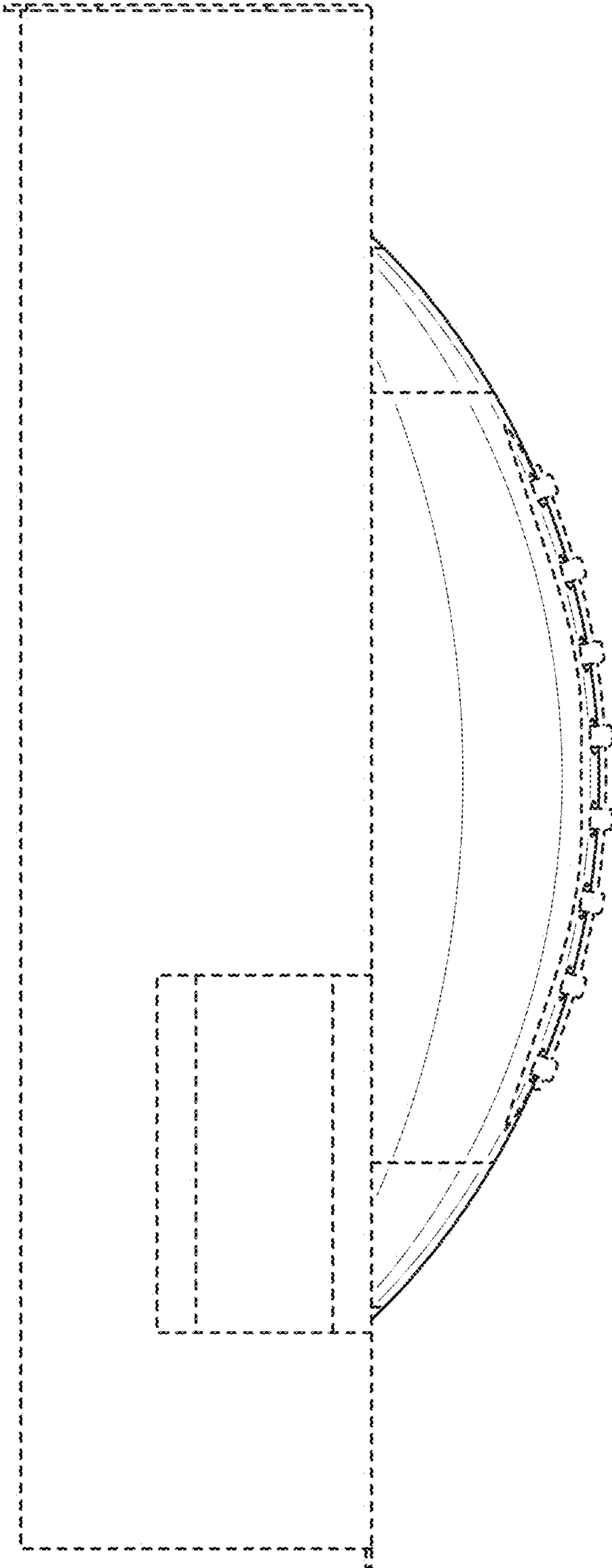


FIG. 5

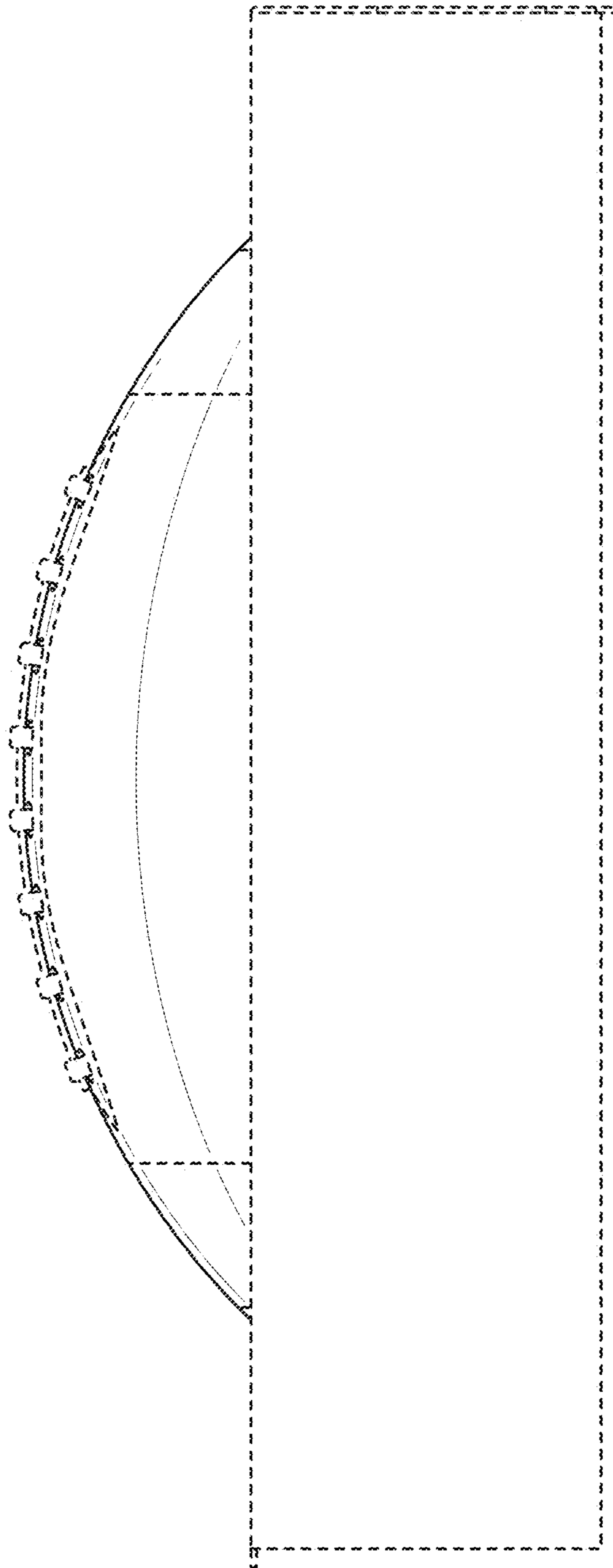


FIG. 6



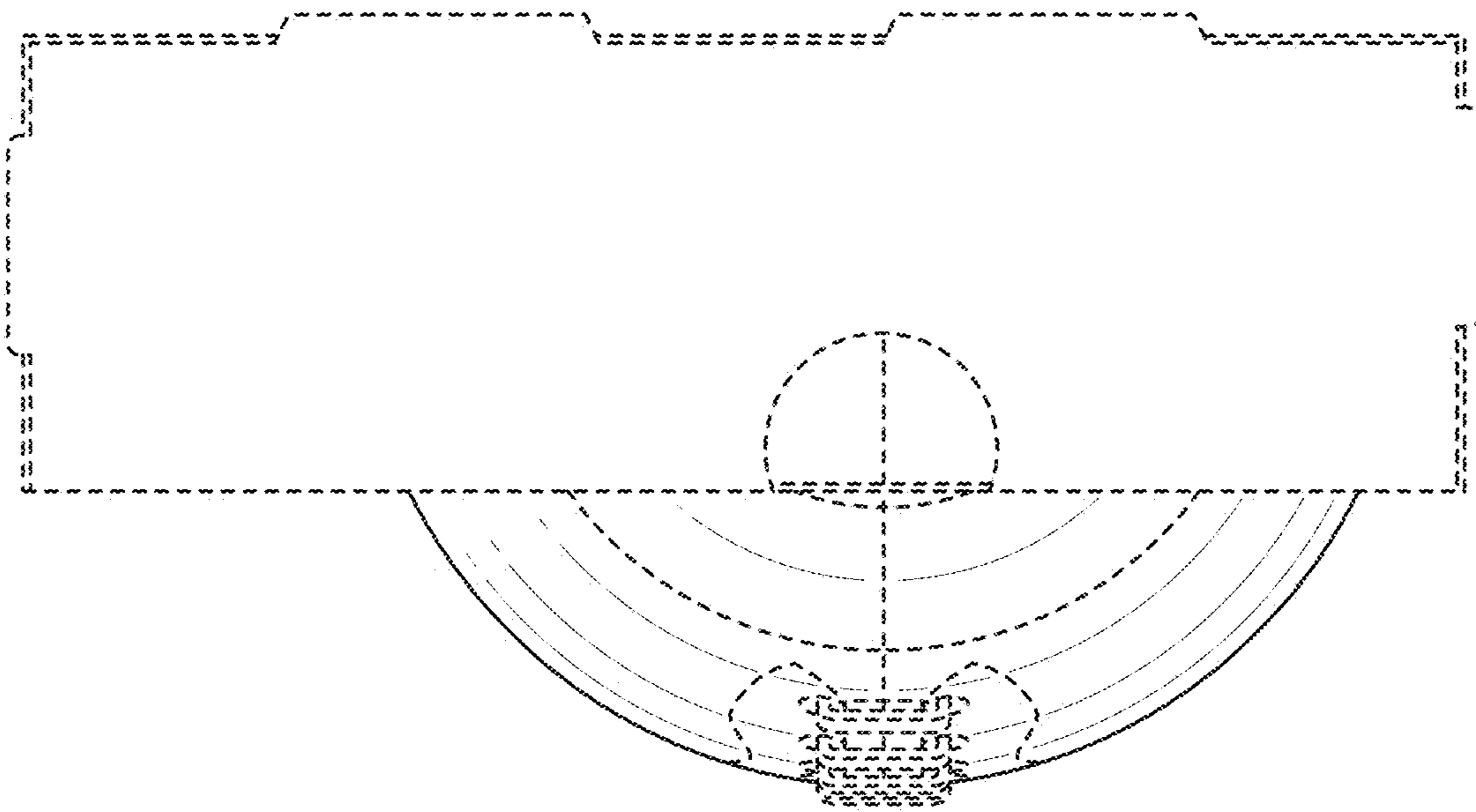


FIG. 7

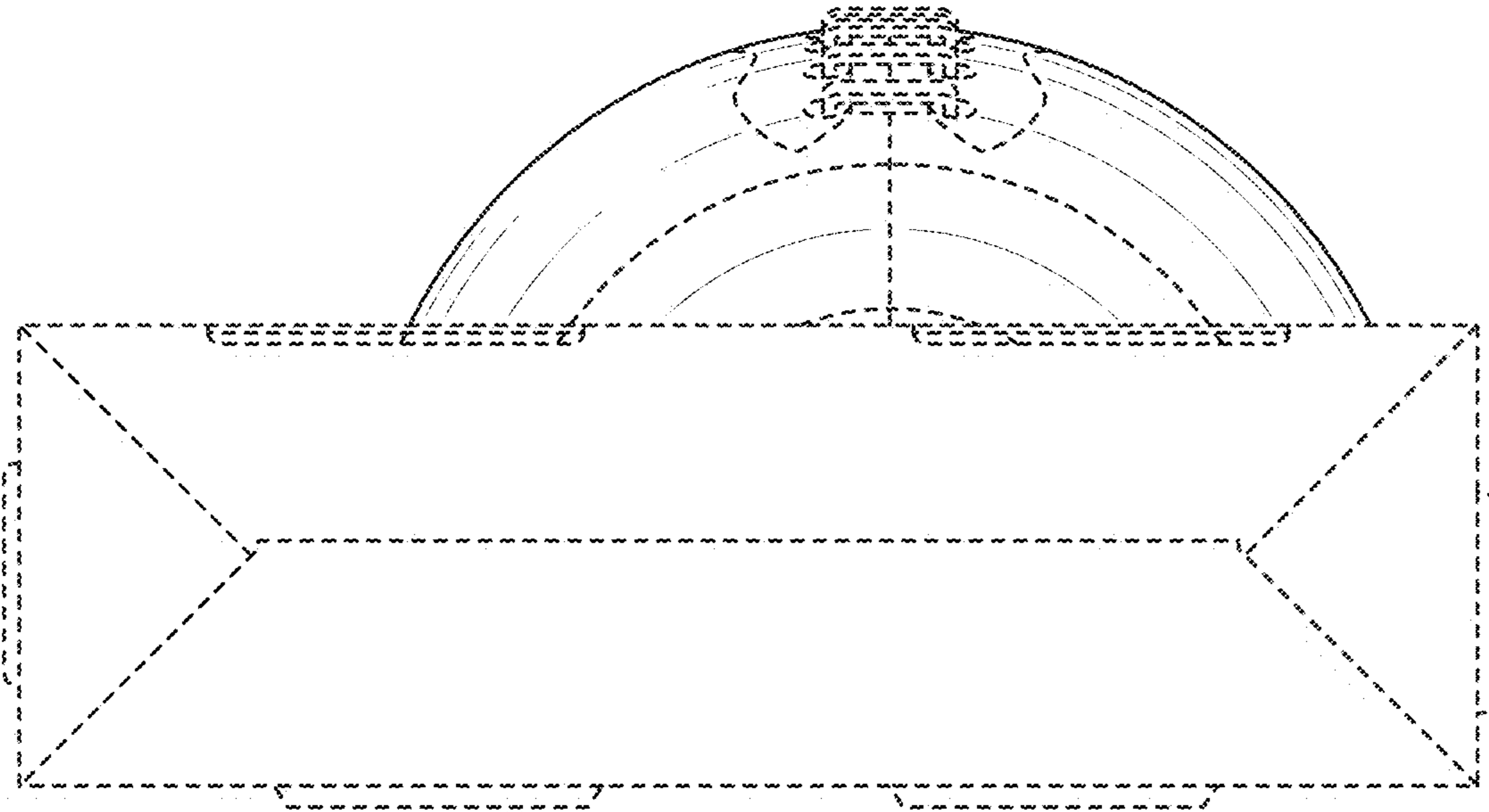


FIG. 8