

US00D970353S

(12) **United States Design Patent**
Huang

(10) **Patent No.:** **US D970,353 S**

(45) **Date of Patent:** **** Nov. 22, 2022**

- (54) **OIL BOTTLE WITH BRUSH**
- (71) Applicant: **Huang Huang**, Hubei (CN)
- (72) Inventor: **Huang Huang**, Hubei (CN)
- (**) Term: **15 Years**
- (21) Appl. No.: **29/824,942**
- (22) Filed: **Jan. 27, 2022**
- (51) **LOC (13) Cl.** **09-03**
- (52) **U.S. Cl.**
USPC **D9/719; D4/114**
- (58) **Field of Classification Search**
USPC D9/500–504, 505, 544–546, 715, 718,
D9/719, 723–725, 730; D7/305, 600,
D7/601, 630; D4/114, 116, 121
CPC A46B 15/0097; A46B 11/00; B65D 51/32;
B65D 47/18; B65D 83/285; B65D 47/20;
B65D 85/00
See application file for complete search history.

| | | | | |
|-------------------|---------|----------------|-------|--------------------------|
| D741,603 S * | 10/2015 | Mehta | | D4/116 |
| D833,151 S * | 11/2018 | Hwang | | D4/130 |
| D870,549 S | 12/2019 | Logue | | |
| D882,405 S | 4/2020 | Kasper | | |
| D886,632 S * | 6/2020 | Ahn | | D9/503 |
| D887,277 S | 6/2020 | Allison et al. | | |
| D926,586 S * | 8/2021 | Örtegren | | D9/503 |
| D956,564 S * | 7/2022 | Villeger | | D9/503 |
| 2003/0098321 A1 * | 5/2003 | Kaposi | | G01F 11/084 222/420 |
| 2010/0233024 A1 * | 9/2010 | Whiting | | A61K 47/02 128/207.18 |
| 2017/0275067 A1 * | 9/2017 | Massinello | | A45D 34/04 |

* cited by examiner

Primary Examiner — Lauren R Calve

(57) **CLAIM**

The ornamental design for an oil bottle with brush, as shown and described.

DESCRIPTION

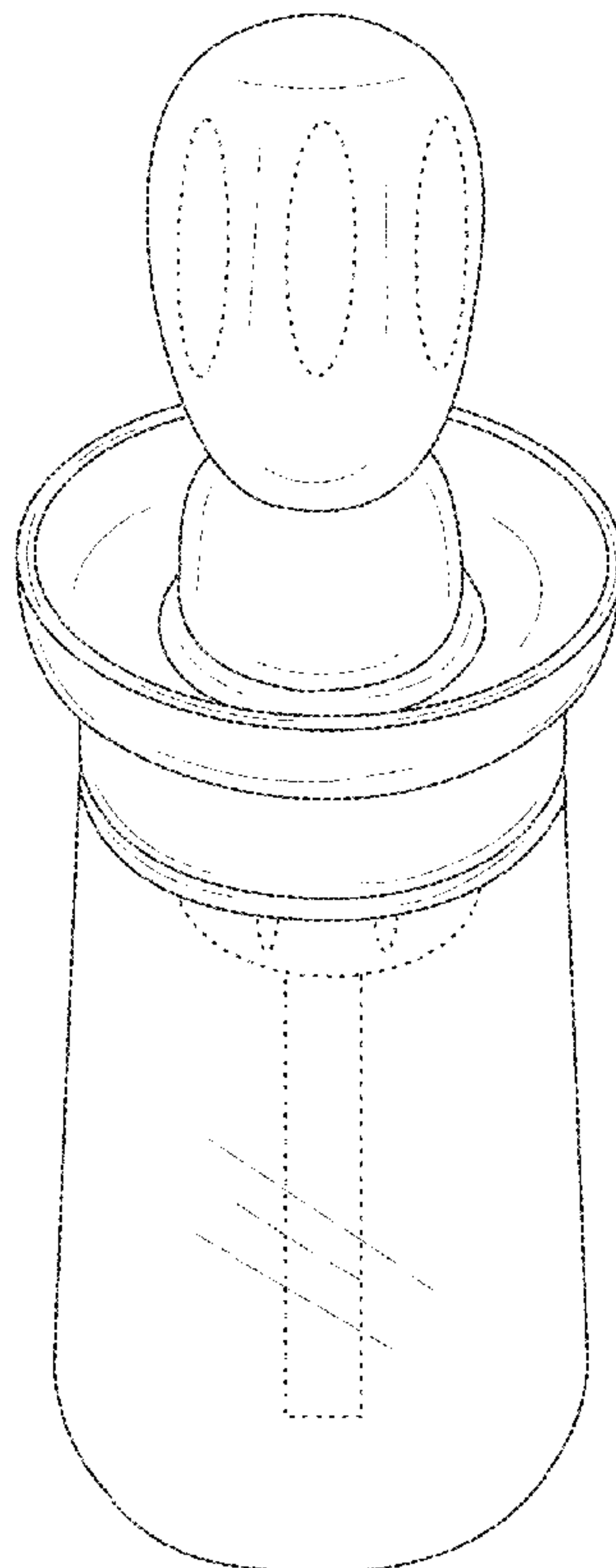
FIG. 1 is a perspective view of an oil bottle with brush showing my new design;
 FIG. 2 is a front elevational view thereof;
 FIG. 3 is a rear elevational view thereof;
 FIG. 4 is a left side elevational view thereof;
 FIG. 5 is a right side elevational view thereof;
 FIG. 6 is a bottom plan view thereof; and,
 FIG. 7 is a top plan view thereof.
 The broken lines shown represent portions of the oil bottle with brush that form no part of the claimed design.

1 Claim, 7 Drawing Sheets

(56) **References Cited**

U.S. PATENT DOCUMENTS

| | | | | |
|----------------|---------|------------|-------|----------------------|
| 2,320,323 A * | 5/1943 | Grunberg | | B65D 51/32 15/160 |
| D303,761 S * | 10/1989 | Desgrippes | | D9/719 |
| D307,646 S * | 5/1990 | Kingsford | | D28/76 |
| 7,243,859 B2 * | 7/2007 | Caserta | | A61P 9/12 239/57 |
| D555,360 S * | 11/2007 | Lee | | D4/114 |



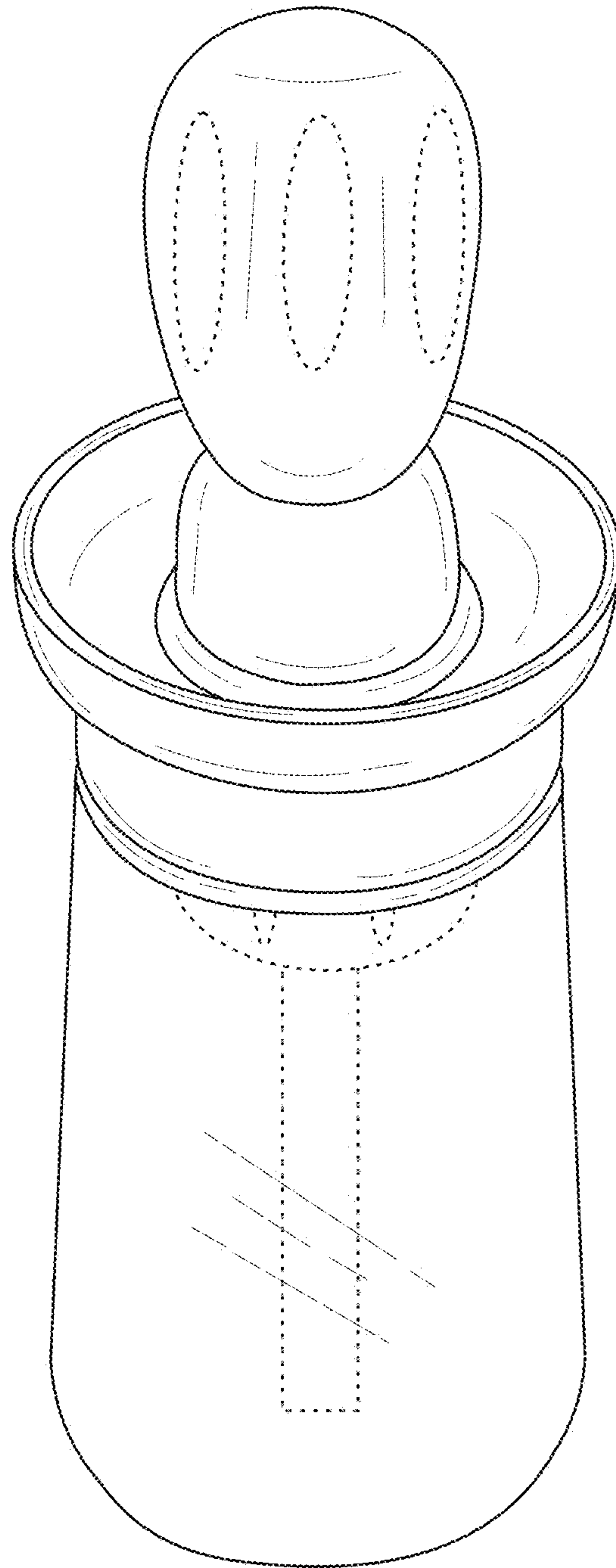


FIG. 1

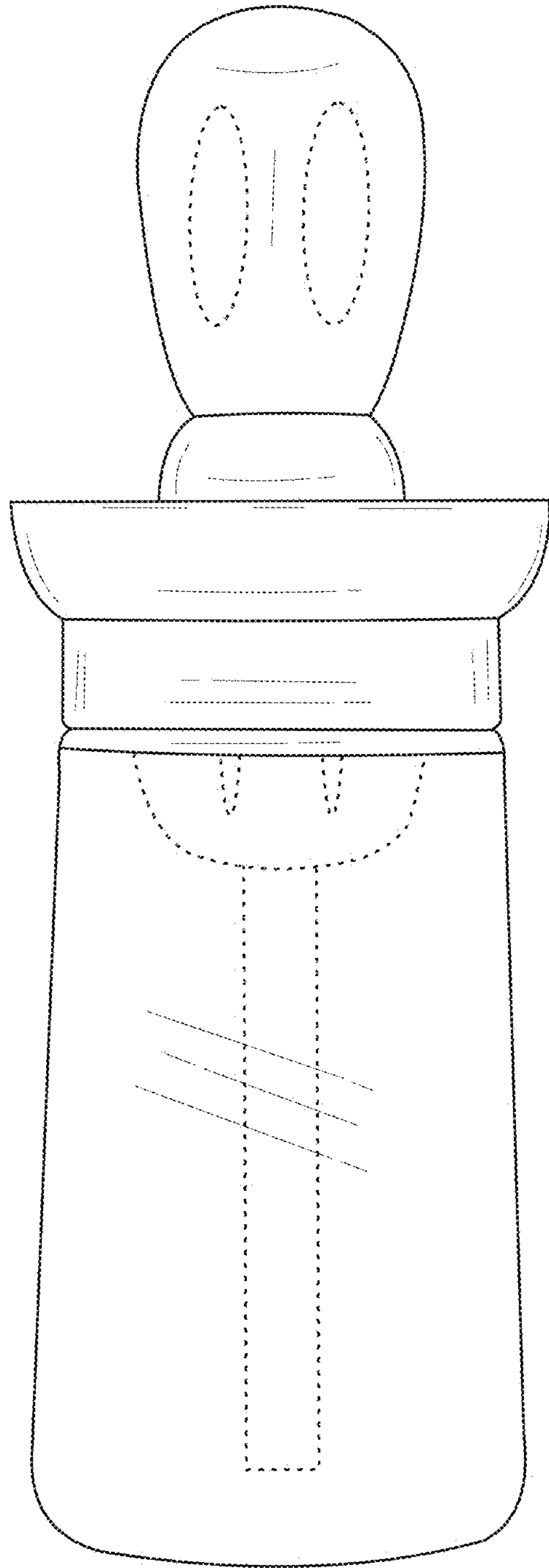


FIG. 2

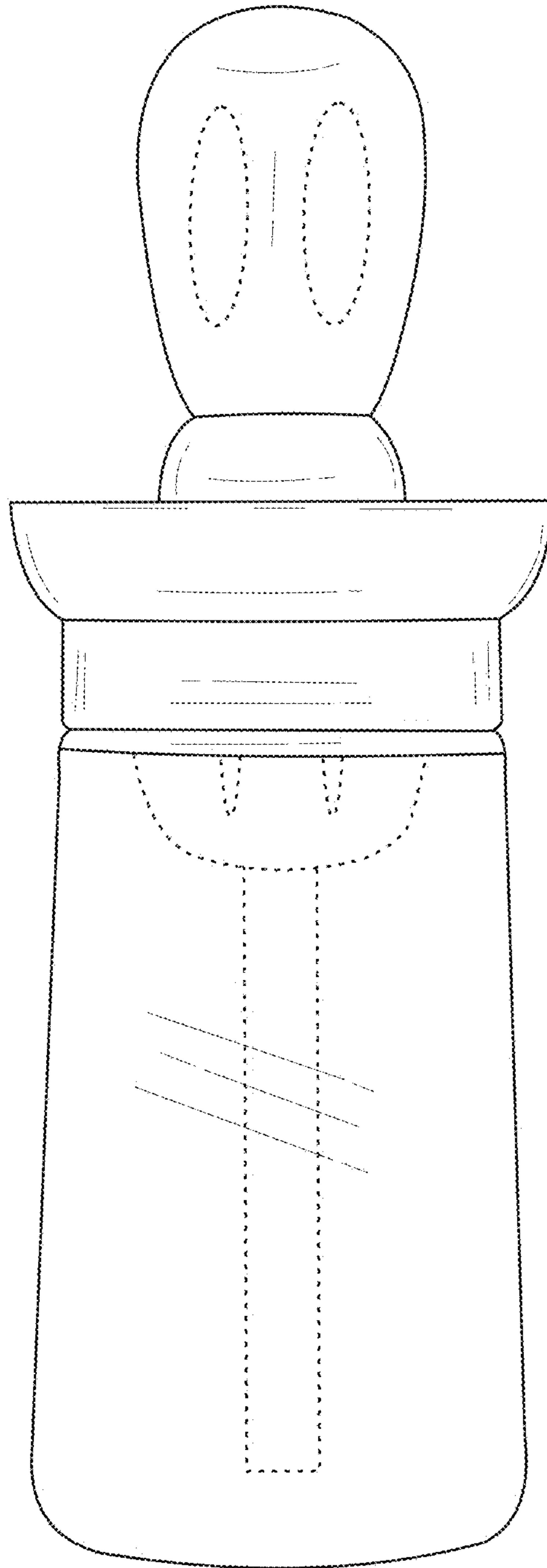


FIG. 3

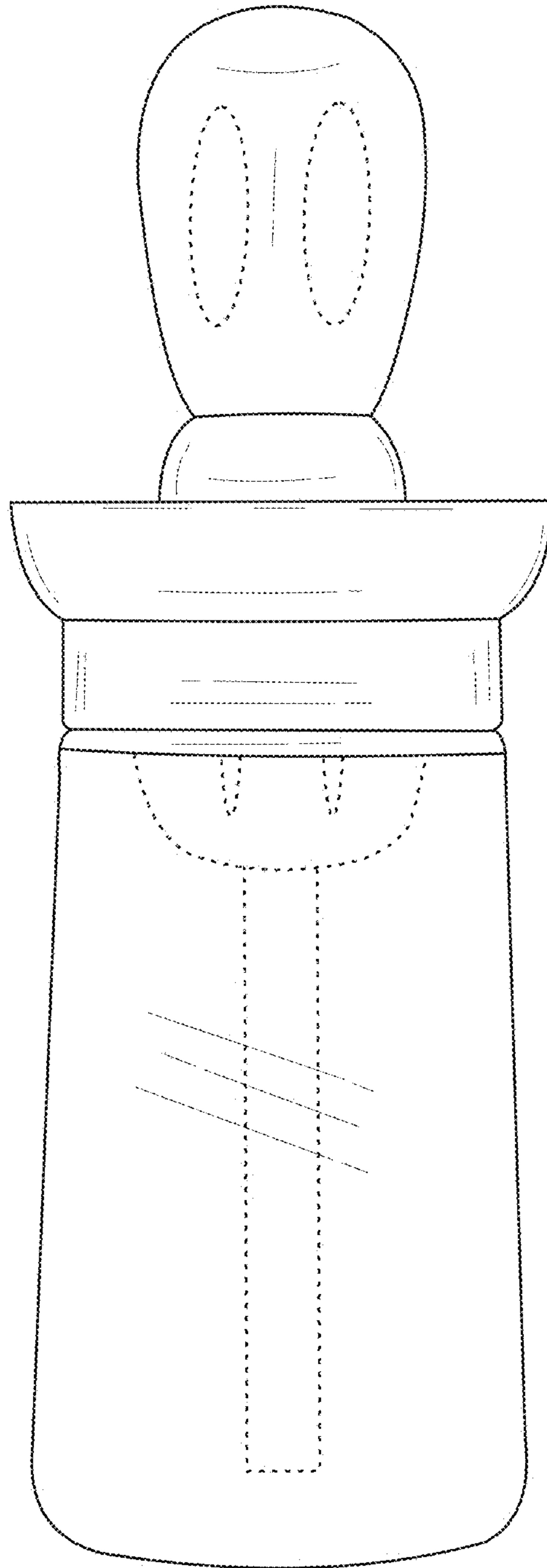


FIG. 4

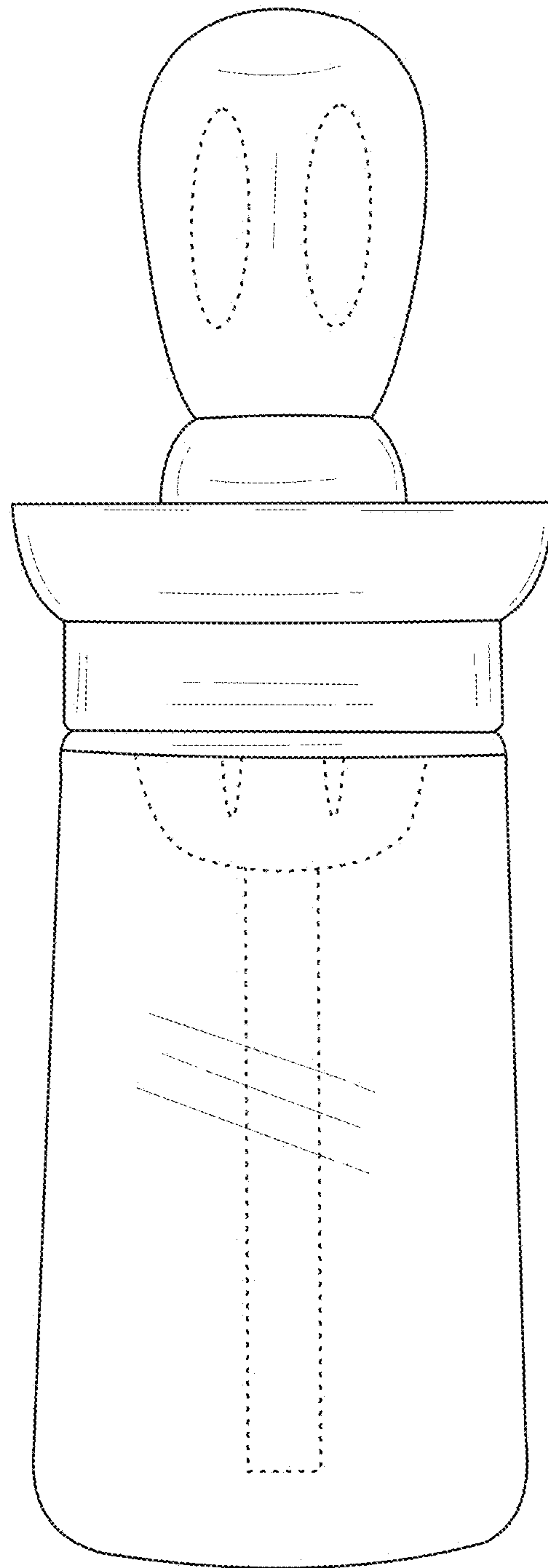


FIG. 5

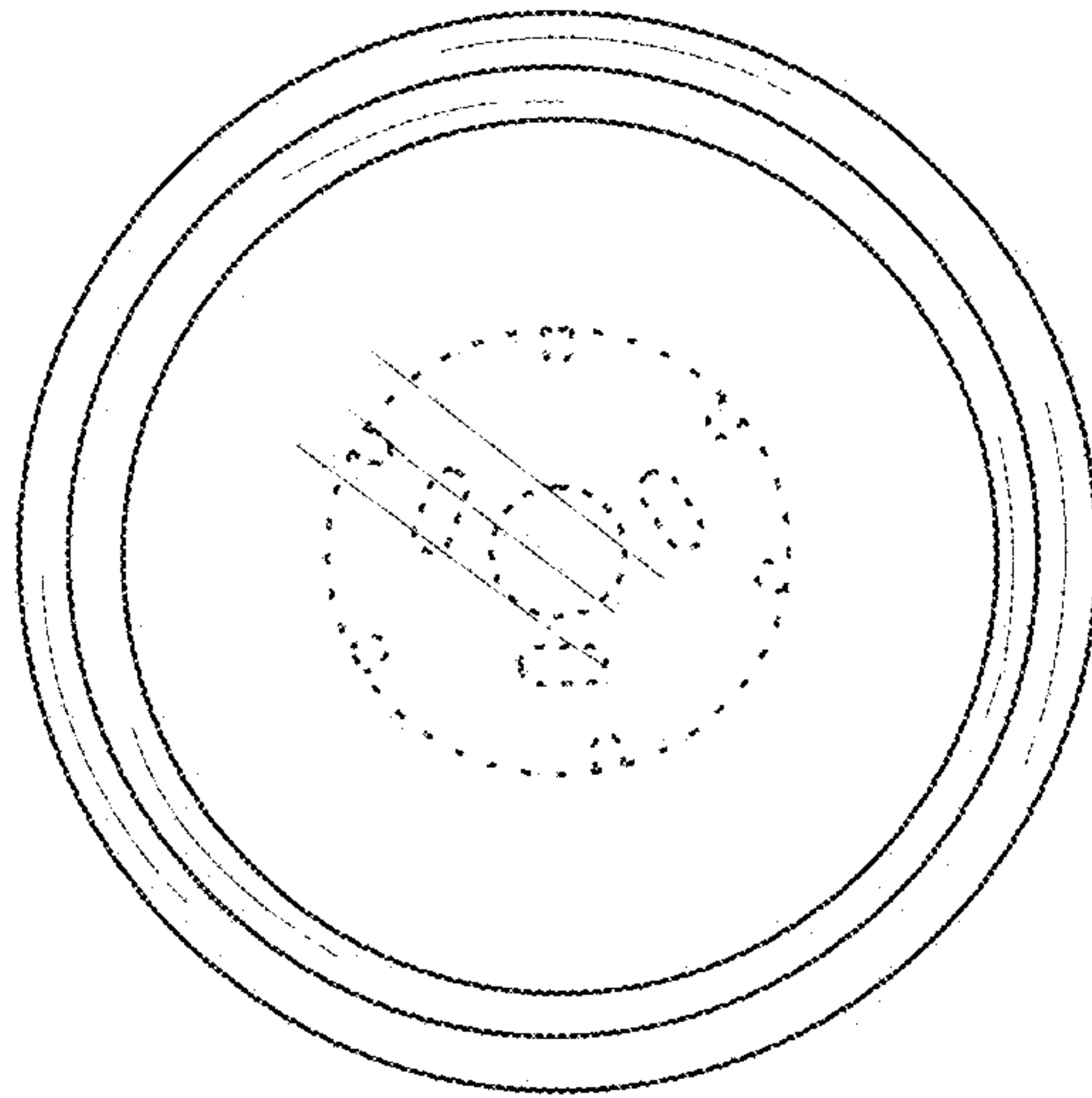


FIG. 6

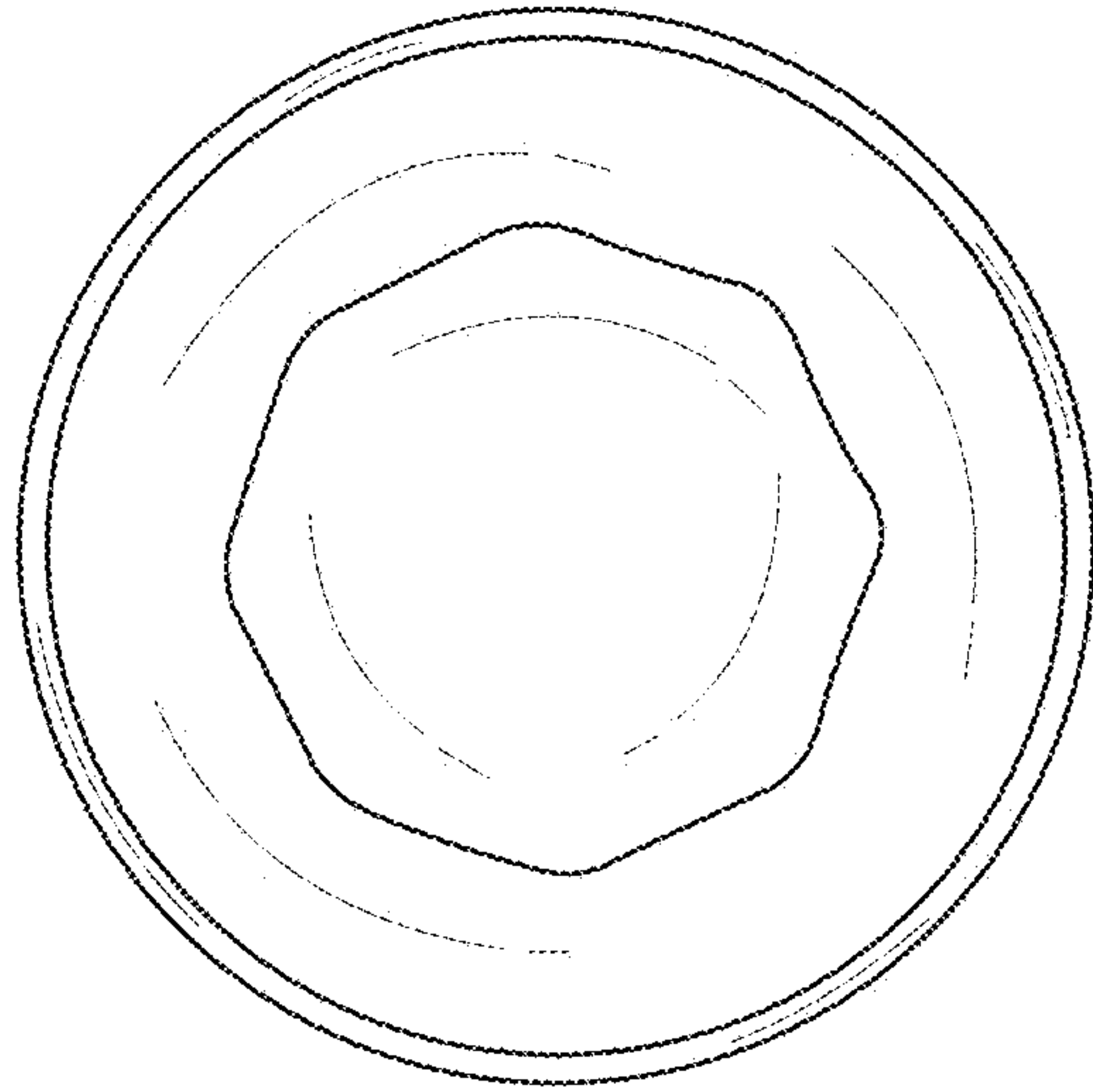


FIG. 7