



US00D970352S

(12) **United States Design Patent** (10) **Patent No.:** **US D970,352 S**  
**Chan** (45) **Date of Patent:** **\*\* Nov. 22, 2022**

(54) **SEALABLE BAG**

(71) Applicant: **SPACEWHITE PTY LTD**, Richmond (AU)

(72) Inventor: **Kin Lap Chan**, Richmond (AU)

(73) Assignee: **SPACEWHITE PTY LTD**, Richmond (AU)

(\*\*) Term: **15 Years**

(21) Appl. No.: **29/805,473**

(22) Filed: **Aug. 27, 2021**

(51) **LOC (13) Cl.** ..... **09-05**

(52) **U.S. Cl.**  
USPC ..... **D9/709**

(58) **Field of Classification Search**  
USPC ..... D9/702-714, 720-722, 416-417,  
D9/695-696; D24/118-119, 207;  
383/200, 207, 38, 208-209, 63, 61.1, 113,  
383/6; 229/87.06, 87.03, 87.08;  
426/106, 115, 119-120, 122, 410;  
222/94, 107, 541.1, 92, 541.2; 206/811,  
206/229, 484; 219/727; D3/201, 232,  
D3/240, 245; 150/107  
CPC ..... B65D 33/25; B65D 11/00; B65D 11/18;  
B65D 11/10; B65D 17/00; B65D 17/16;  
B65D 17/161; B65D 17/163; B65D  
17/20; B65F 1/006; B65F 1/062; B65F  
1/1415

See application file for complete search history.

(56) **References Cited**

**U.S. PATENT DOCUMENTS**

D464,257 S	10/2002	Gates	
D828,763 S	9/2018	Tan	
D874,876 S *	2/2020	Finell .....	D7/602
D876,891 S *	3/2020	Finell .....	D7/509
D886,533 S *	6/2020	Finell .....	D7/602
D904,896 S *	12/2020	Unterlechner .....	D9/703
D945,826 S *	3/2022	Finell .....	D7/509

\* cited by examiner

*Primary Examiner* — Abraham Bahta

(57) **CLAIM**

The ornamental design for a sealable bag, as shown and described.

**DESCRIPTION**

FIG. 1 is a perspective view of a sealable bag showing my new design;  
FIG. 2 is another perspective view thereof;  
FIG. 3 is a front elevational view thereof;  
FIG. 4 is a rear elevational view thereof;  
FIG. 5 is a left side elevational view thereof;  
FIG. 6 is a right side elevational view thereof;  
FIG. 7 is a top plan view thereof; and,  
FIG. 8 is a bottom plan view thereof.  
The broken lines in the drawings depict portions of the sealable bag that form no part of the claimed design.

**1 Claim, 8 Drawing Sheets**

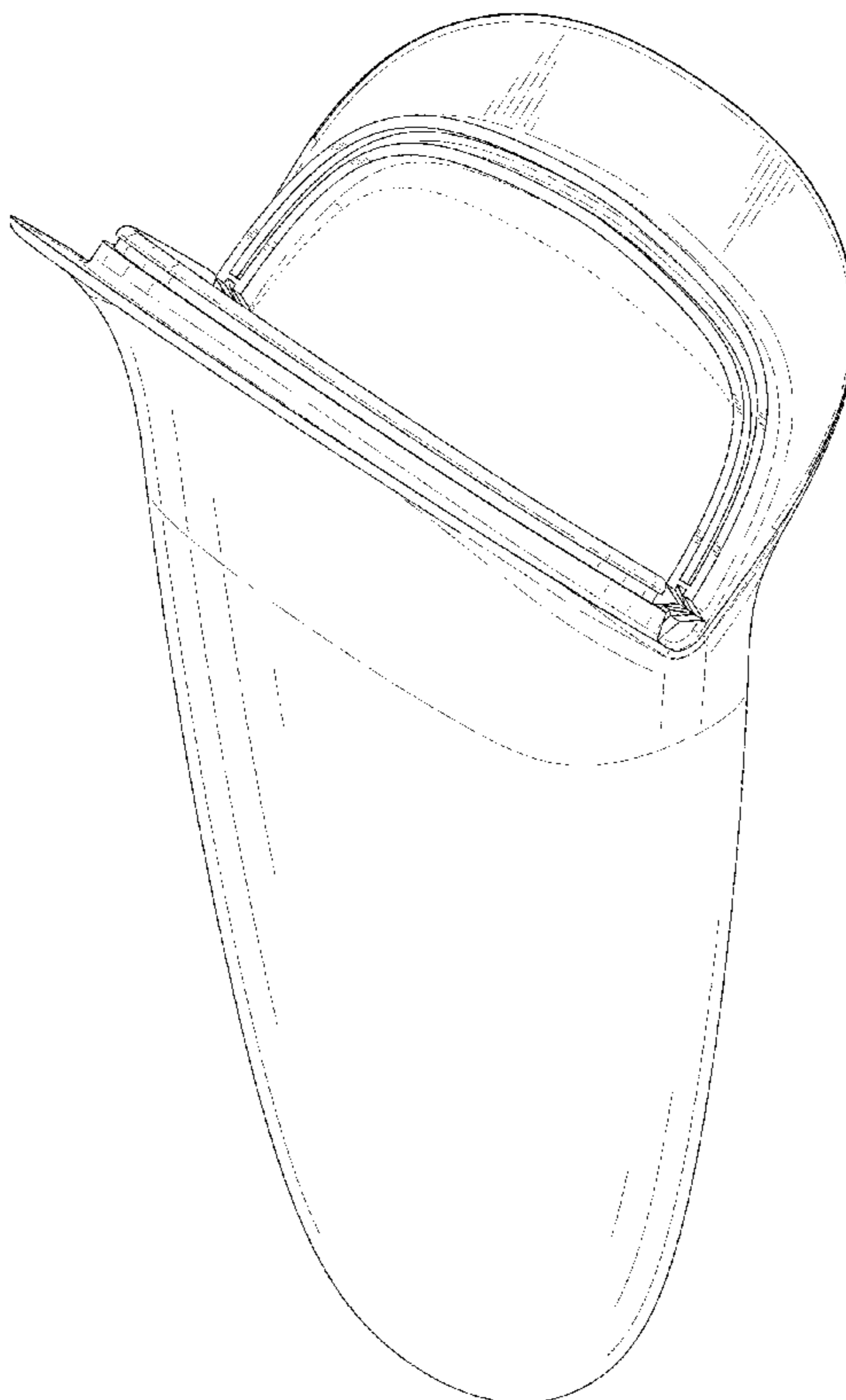




FIG. 1

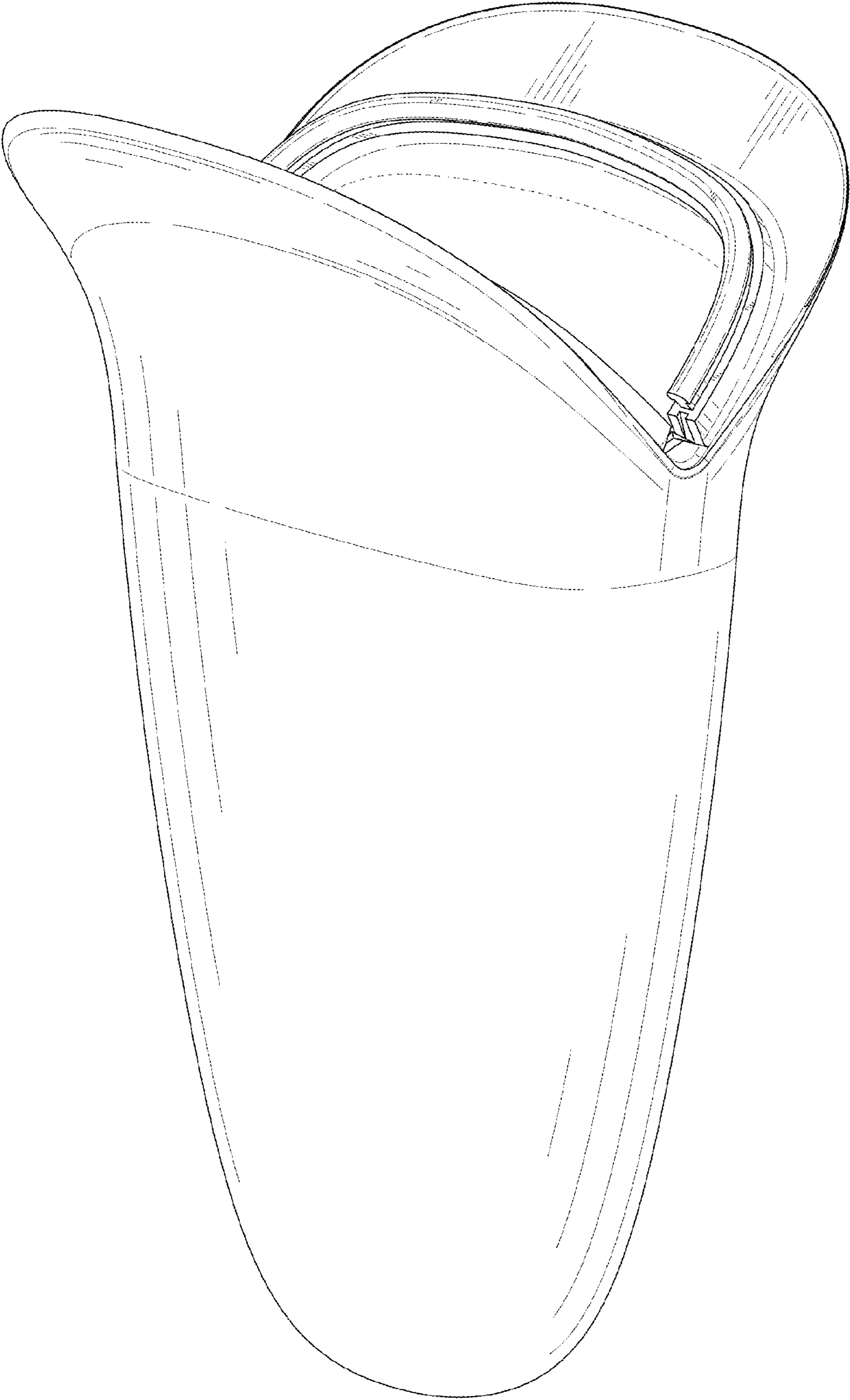


FIG. 2

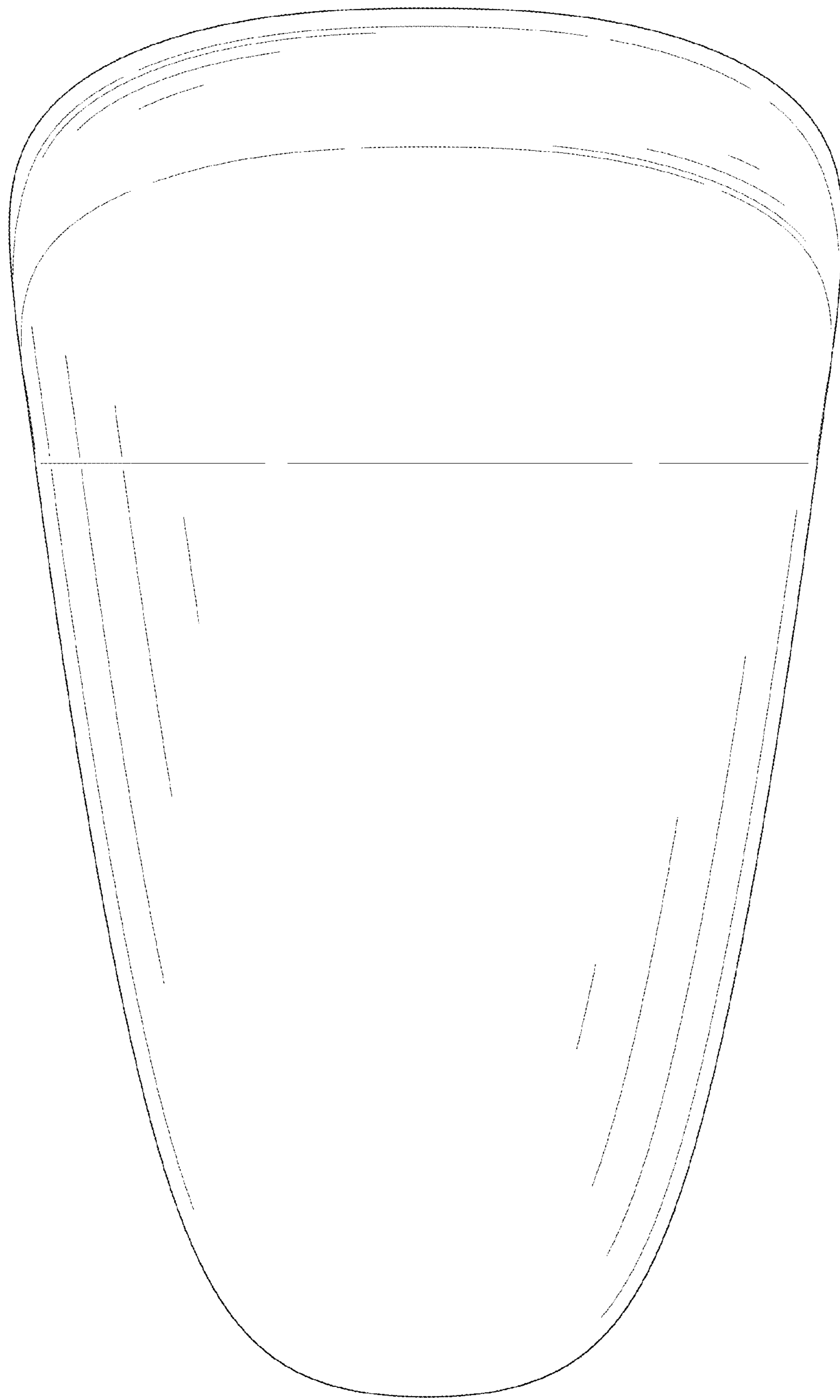


FIG. 3

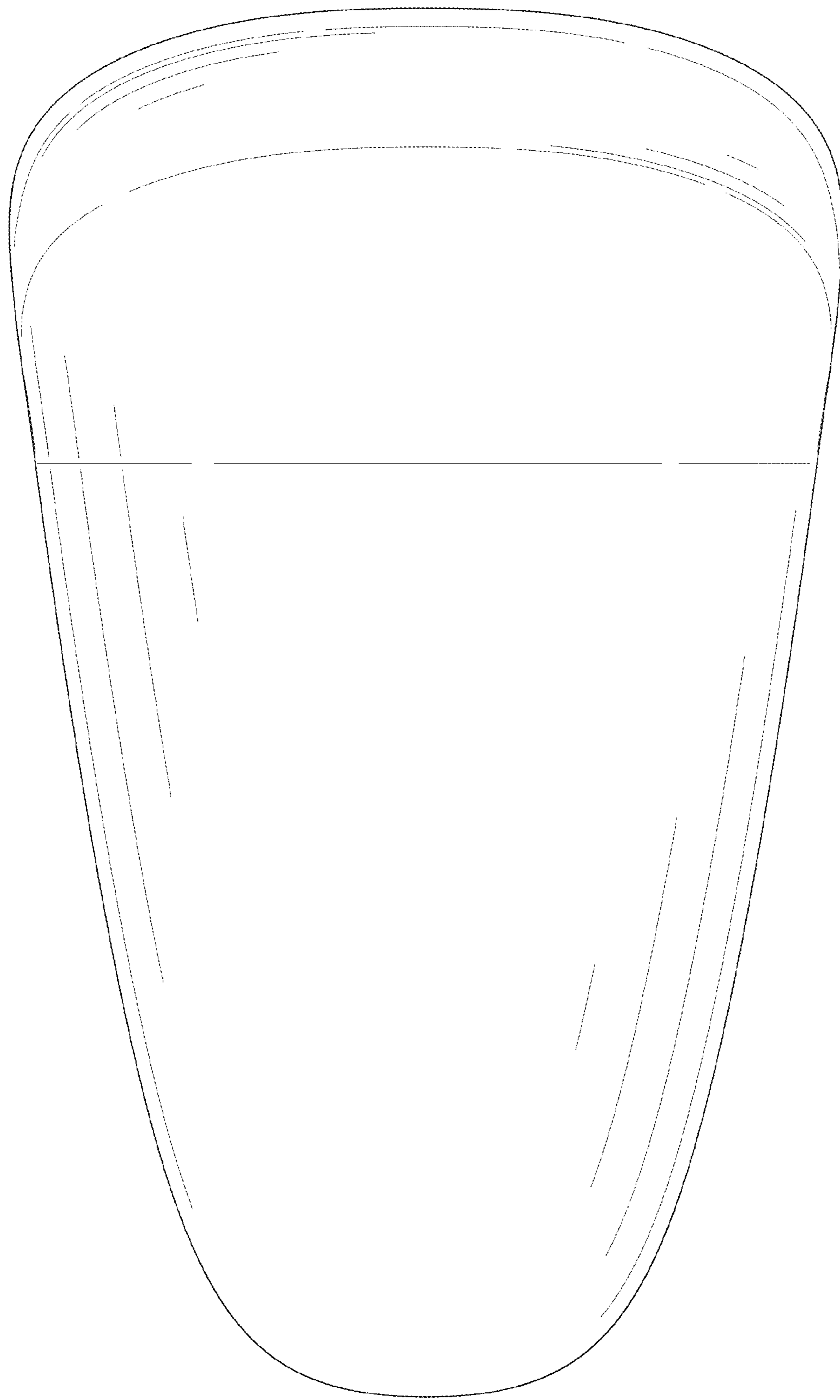


FIG. 4



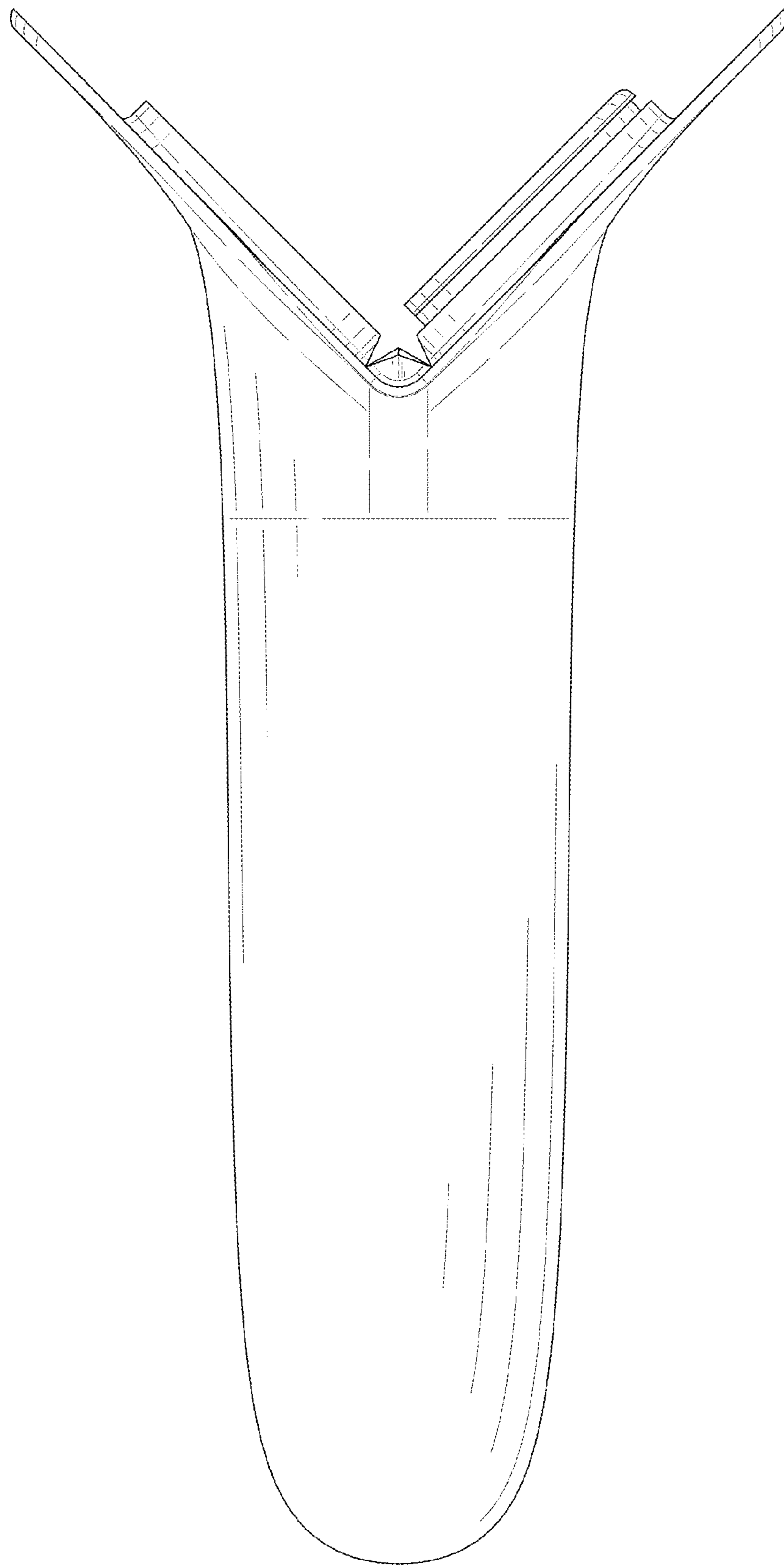


FIG. 5

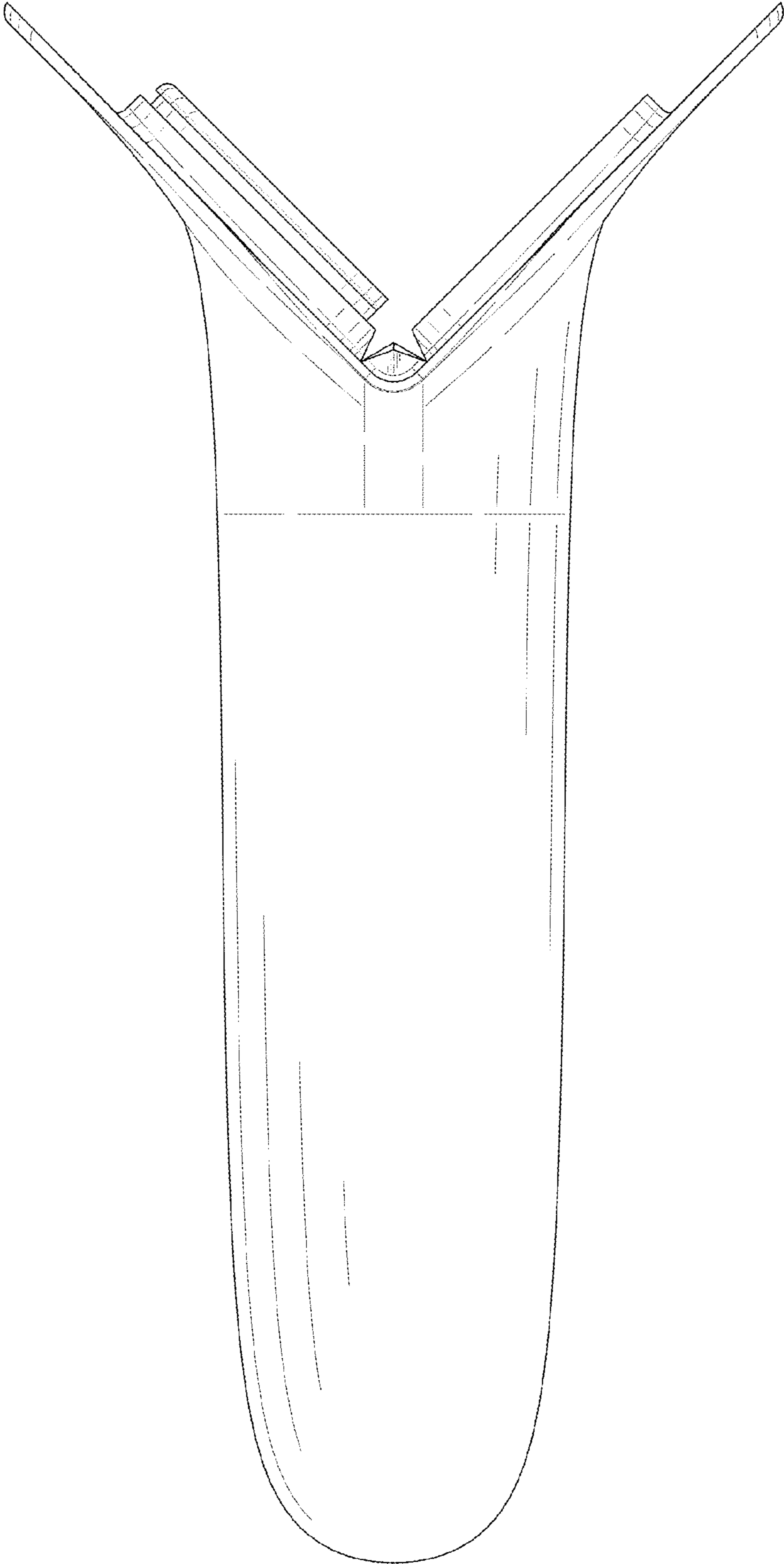


FIG. 6

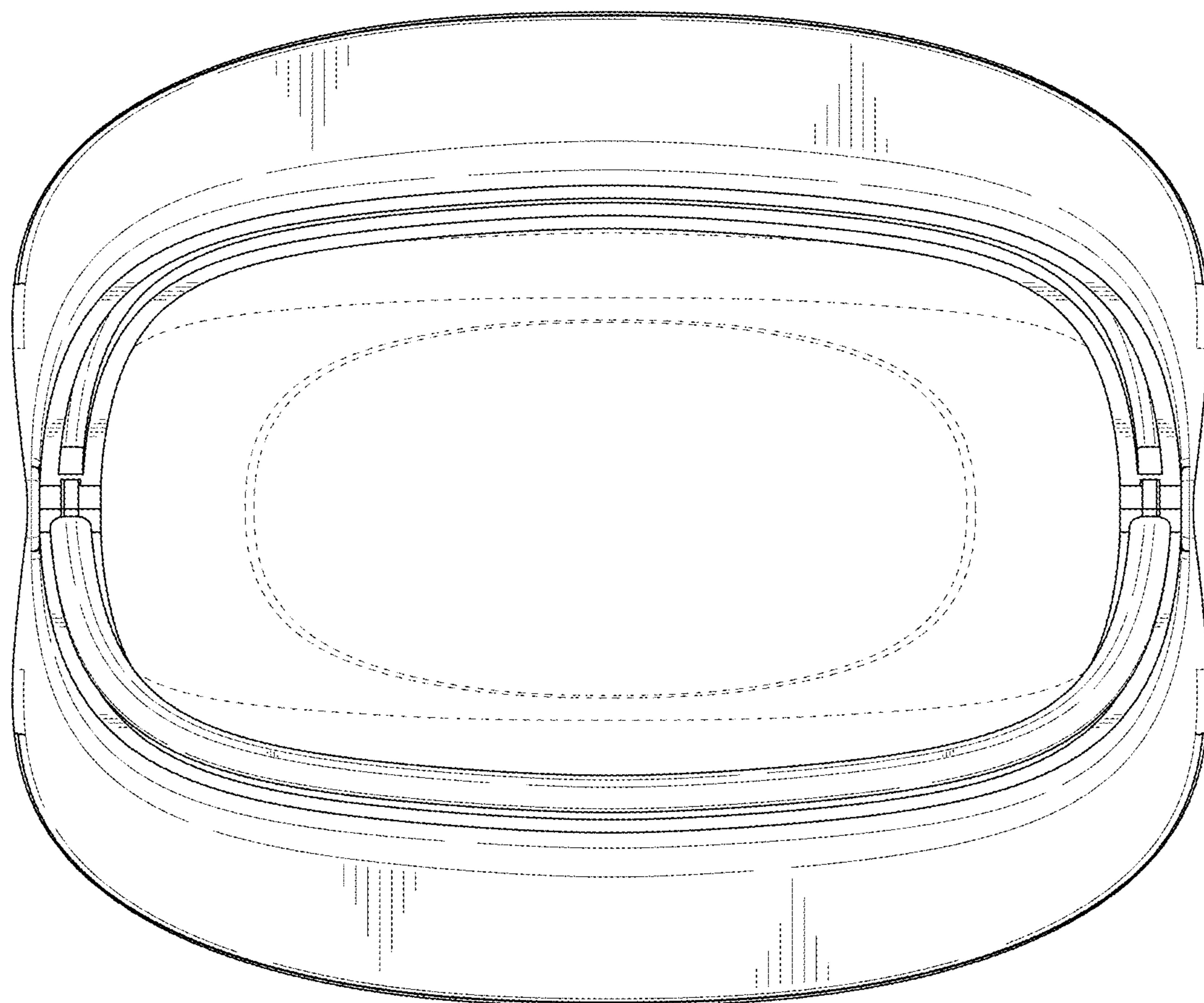


FIG. 7



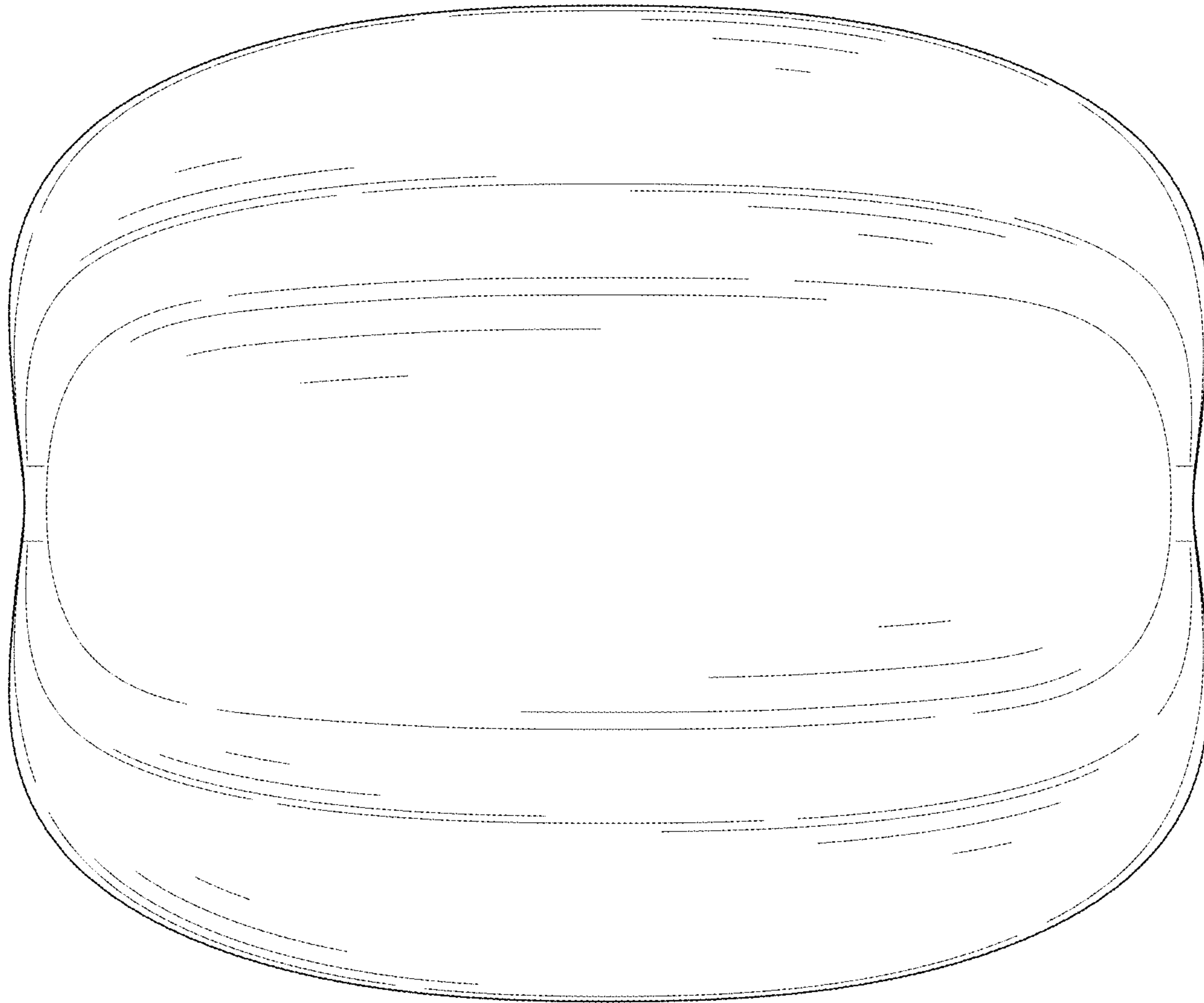


FIG. 8