

US00D970350S

(12) **United States Design Patent**
Belland

(10) **Patent No.:** **US D970,350 S**

(45) **Date of Patent:** **** Nov. 22, 2022**

(54) **COFFEE BAG**

(71) Applicant: **Brandon William Belland**, Summit Point, WV (US)

(72) Inventor: **Brandon William Belland**, Summit Point, WV (US)

(**) Term: **15 Years**

(21) Appl. No.: **29/783,987**

(22) Filed: **May 17, 2021**

(51) **LOC (13) Cl.** **09-05**

(52) **U.S. Cl.**

USPC **D9/703**; D9/418

(58) **Field of Classification Search**

USPC D9/414-415, 418, 424-425, 432-433, D9/503-504, 701, 702, 703, 705, 715, D9/720, 737, 756, 759, 760-761, 904; D3/273, 201, 283, 284, 286, 295, 299; D7/399, 400, 672, 601, 550.1, 553.1, D7/554.1, 554.3, 555, 557, 602, 615
CPC B65D 11/00; B65D 11/18; B65D 11/10; B65D 21/00; B65D 21/02; B65D 21/0209; B65D 21/0233; B65D 81/34; B65D 81/3453; B65D 81/3446; B65D 81/00; B65D 81/36; B65D 77/2056; B65D 77/10; B65D 77/14; B65D 85/8046; B65D 31/00; B65D 31/02; B65D 31/04; B65D 31/005; B65D 31/08; B65D 31/10; B65D 33/30; B65D 33/04; B65B 1/02

See application file for complete search history.

(56) **References Cited**

U.S. PATENT DOCUMENTS

1,857,010 A * 5/1932 Avery B65D 33/30
383/905
3,208,854 A * 9/1965 Hediger B65D 85/8043
D7/400
D229,896 S * 1/1974 Bemel D9/703

D271,943 S * 12/1983 Beise D9/415
4,991,980 A * 2/1991 Cohen B65D 33/04
229/72
5,417,040 A * 5/1995 Davoren B65B 1/02
383/203
D439,513 S * 3/2001 Teasdale B65D 33/30
D9/415
D597,853 S * 8/2009 Kerr B65D 31/10
D9/705
D652,320 S * 1/2012 Sander D9/431
(Continued)

FOREIGN PATENT DOCUMENTS

GB 789492 A * 1/1958
KR 20180000443 U * 2/2018

OTHER PUBLICATIONS

Night Owl Coffee. Date first available: Nov. 11, 2020. Site visited: Sep. 16, 2022. Available online: <https://chamberlaincoffee.com/products/night-owl-blend> (Year: 2020).*

(Continued)

Primary Examiner — Catherine S Posthauer

Assistant Examiner — Joan E. Diehl

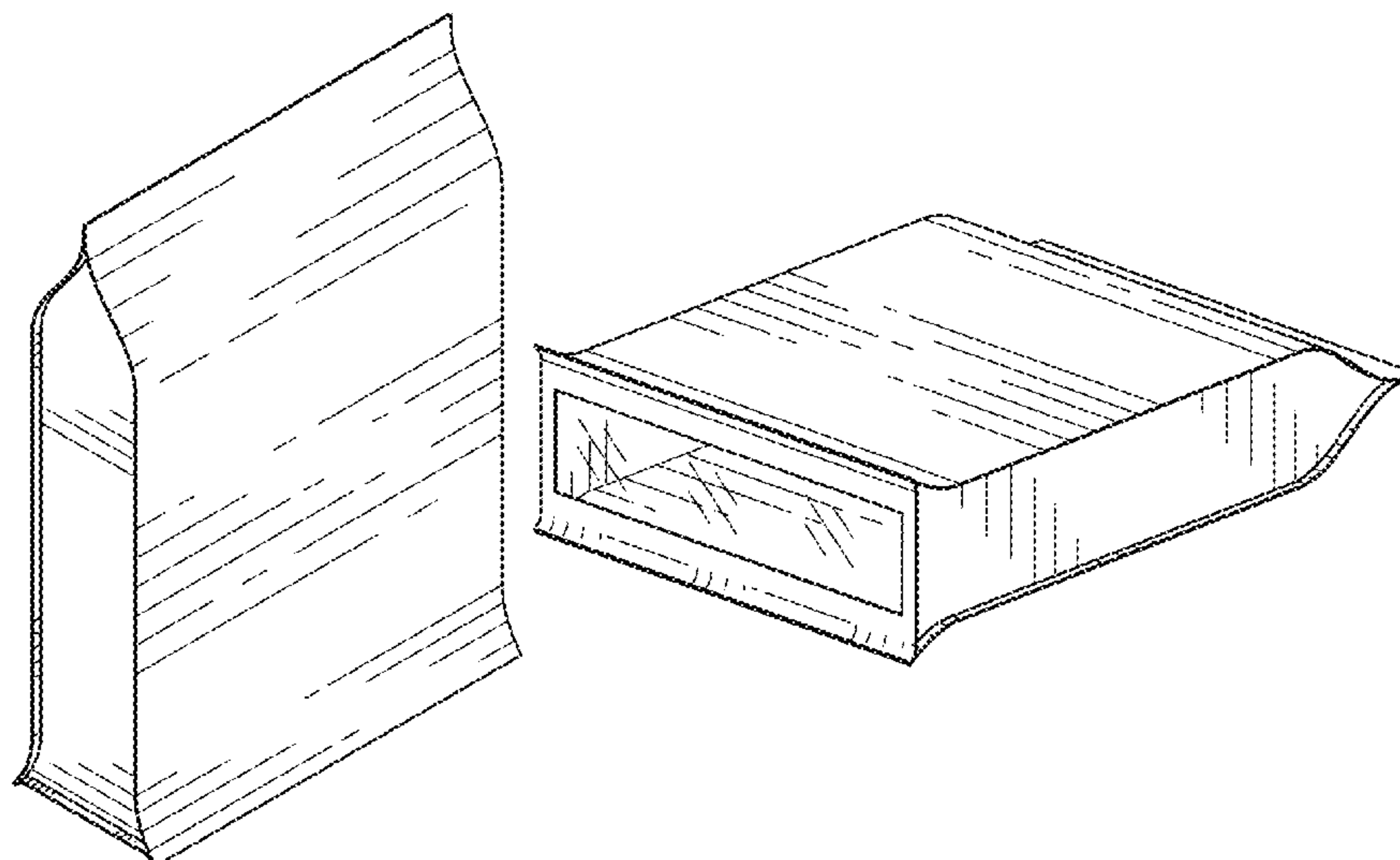
(57) **CLAIM**

An ornamental design for a coffee bag, as shown and described.

DESCRIPTION

FIG. 1 is a perspective view of a coffee bag, showing my new design;
FIG. 2 is another perspective view thereof;
FIG. 3 is a front view thereof;
FIG. 4 is a rear view thereof;
FIG. 5 is a right-side view thereof;
FIG. 6 is a left-side view thereof;
FIG. 7 is a top view thereof; and,
FIG. 8 is a bottom view thereof.

1 Claim, 4 Drawing Sheets



(56)

References Cited

U.S. PATENT DOCUMENTS

D742,246 S * 11/2015 Tan B65B 1/02
D9/707
D821,223 S * 6/2018 Tan D9/705
D905,564 S * 12/2020 Unterlechner B65D 33/04
D9/703
2019/0144166 A1* 5/2019 Amigoni B65D 31/10
383/89

OTHER PUBLICATIONS

Cordial Coffee on Facebook. Date posted: Apr. 30, 2021. Site visited: Sep. 13, 2022. Available online: <https://www.facebook.com/cordialcoffee/posts/pfbid0F4vWQr7CiqnEp4XGDJTxBx5SyPVwFLZLhCzVxdQge7Ud2mN79NdpvfePjw1qm4nnl> (Year: 2021).*

Kraft Box Bottom Coffee Bag. Date first available: Dec. 24, 2021. Site visited: Sep. 13, 2022. Available online: <https://www.clearbags.com/3-1-8-x-2-3-8-x-10-1-4-outer-dims-kraft-box-bottom-coffee-bag-50-pieces-bbc1k.html> (Year: 2021).*

Flat-seal gusseted oblong window bag with kraft paper material. Date first available: 2022. Site visited: Sep. 13, 2022. Available online: Flat-seal gusseted oblong window bag with kraft paper material (Year: 2022).*

* cited by examiner

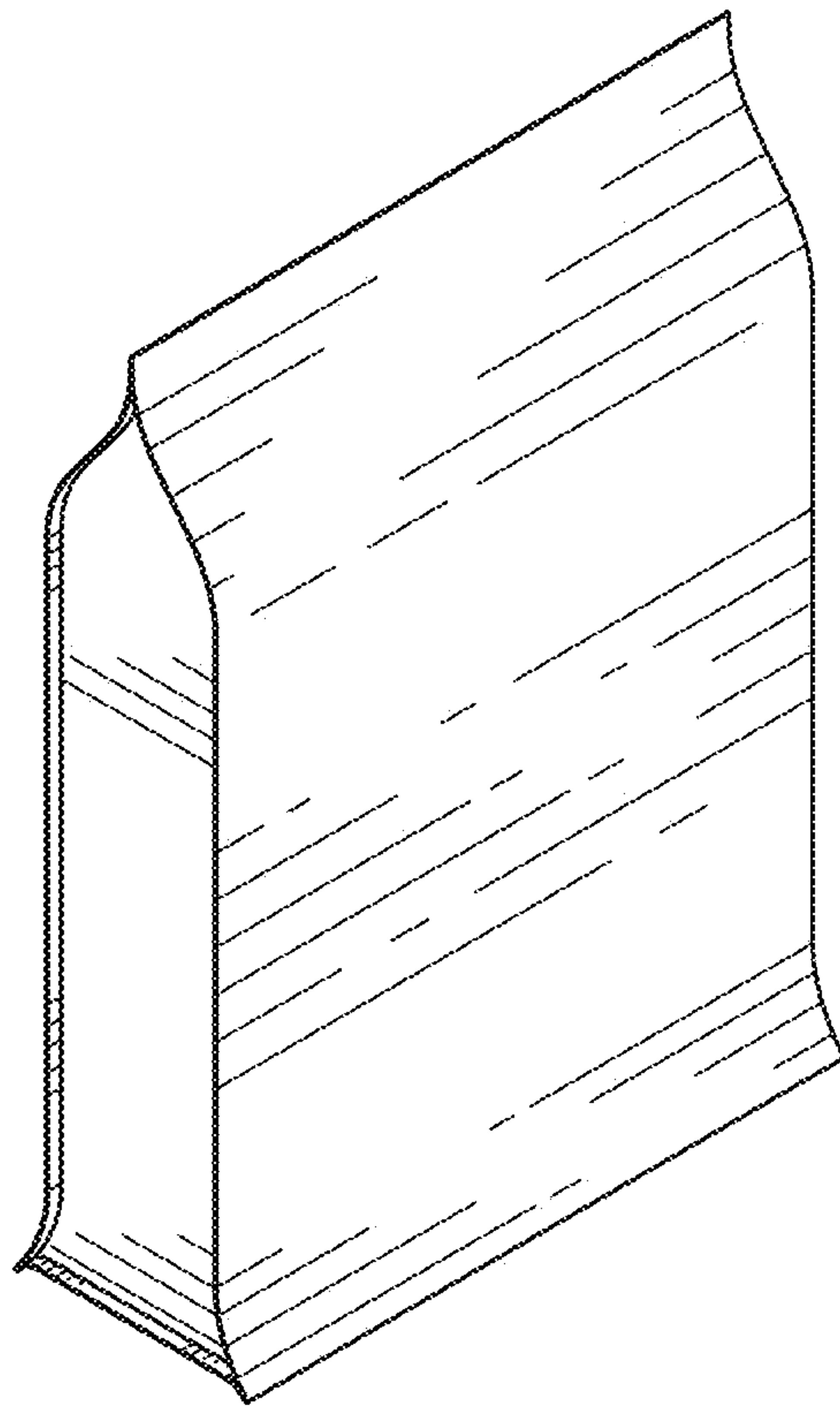


FIG. 1

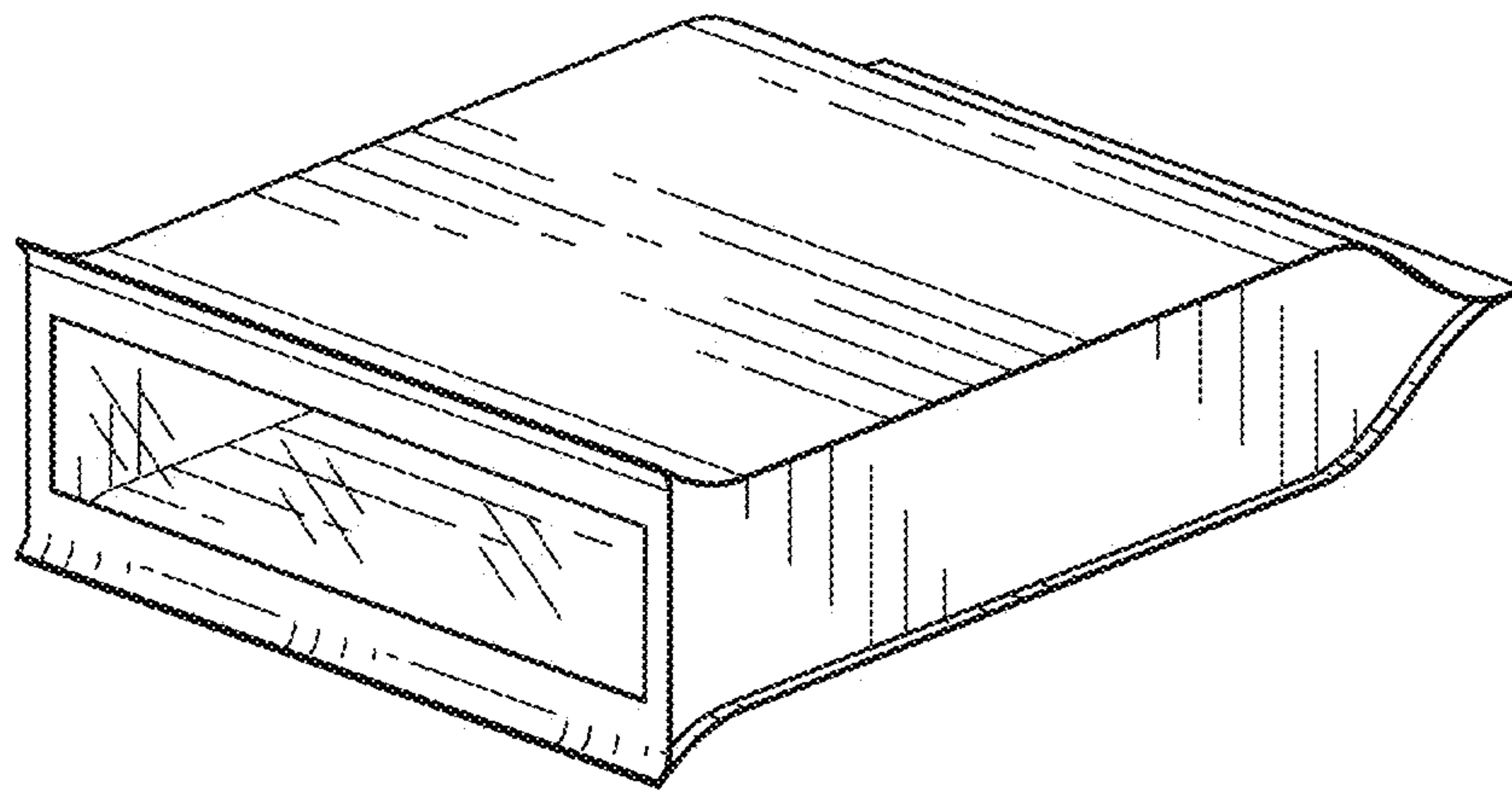


FIG. 2

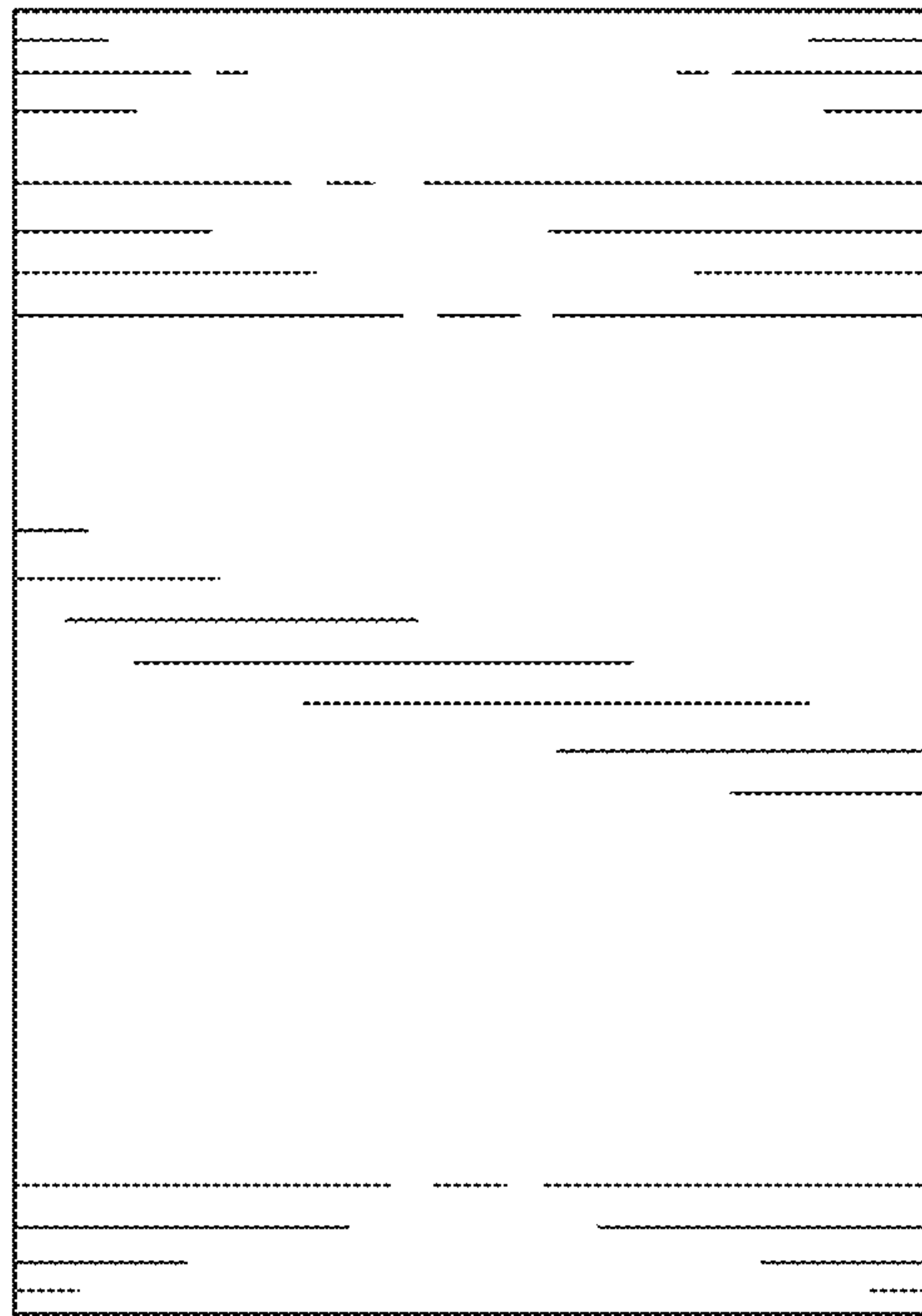


FIG. 3

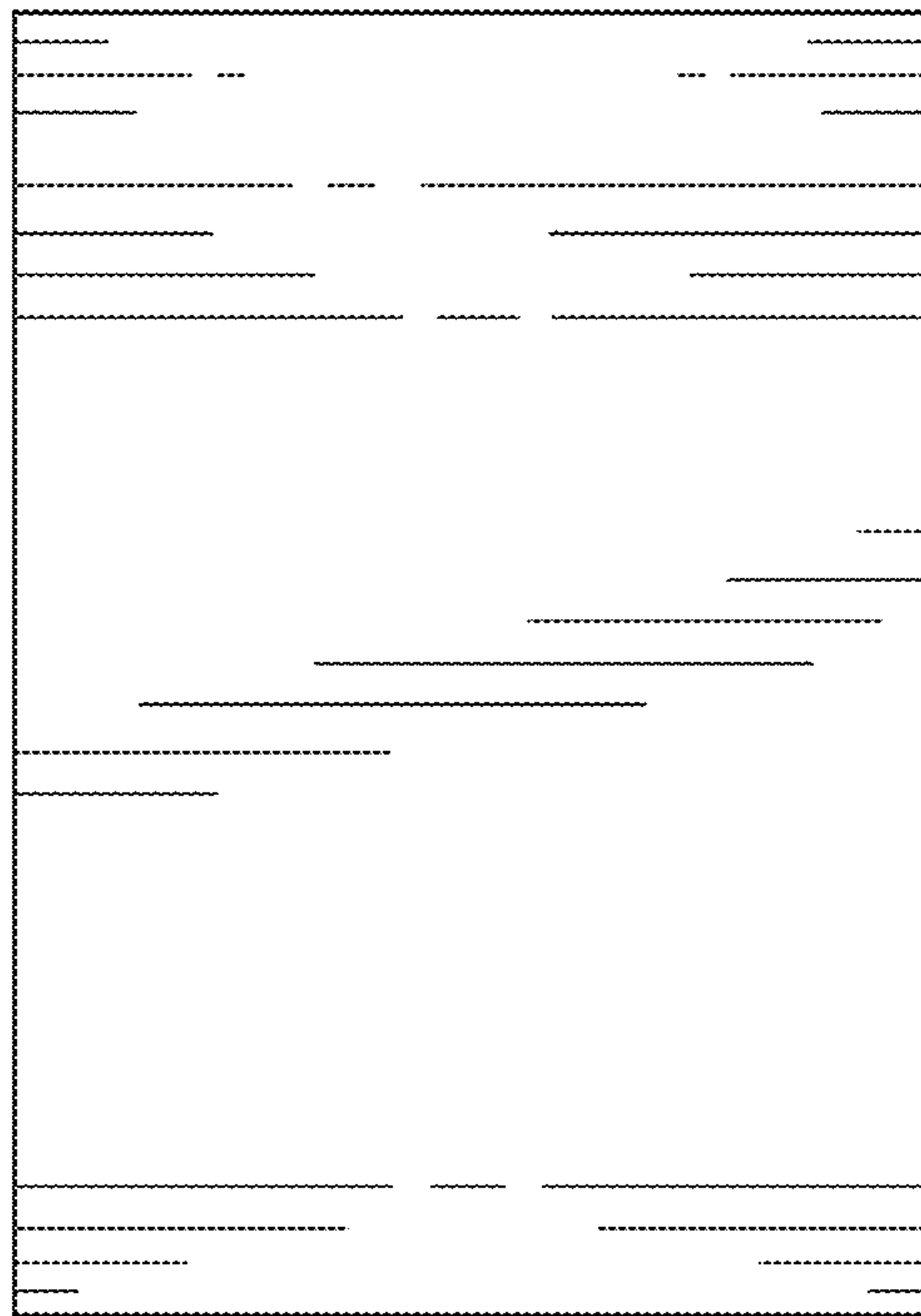


FIG. 4

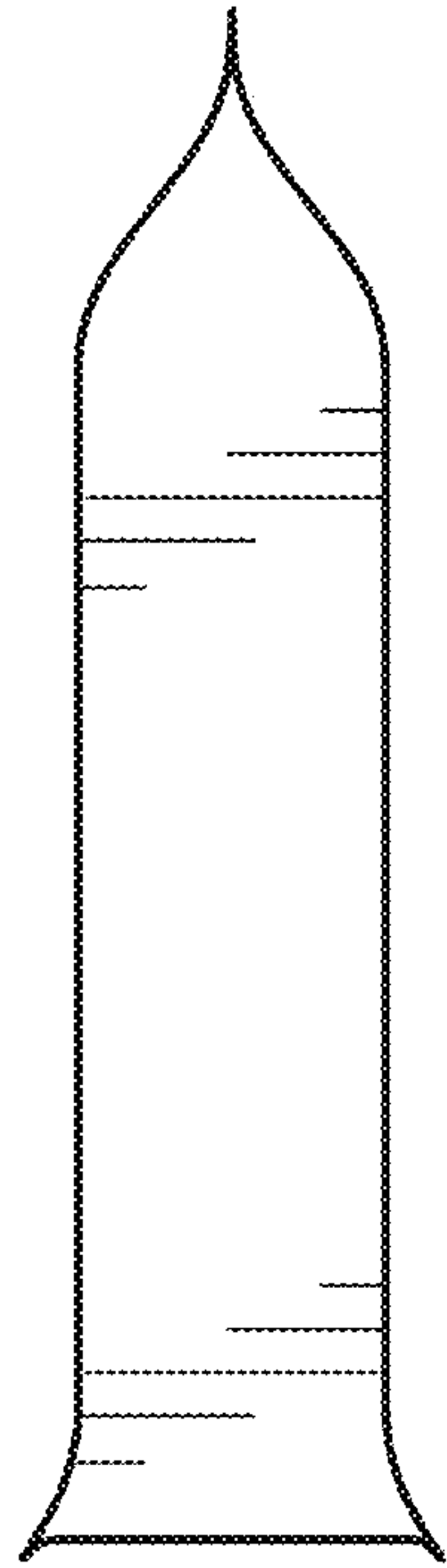


FIG. 5

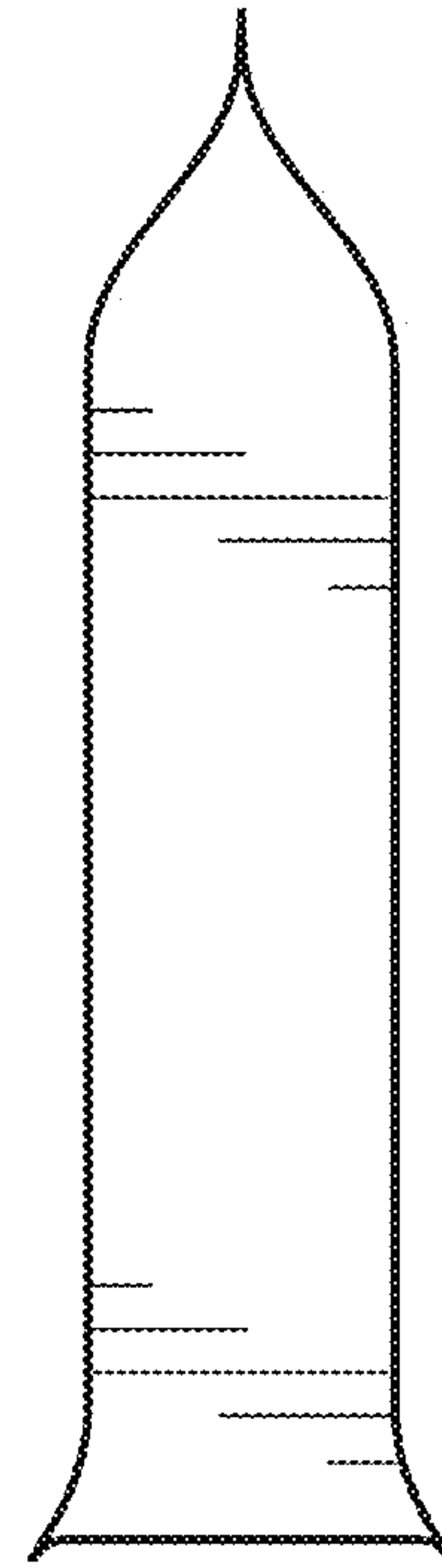


FIG. 6

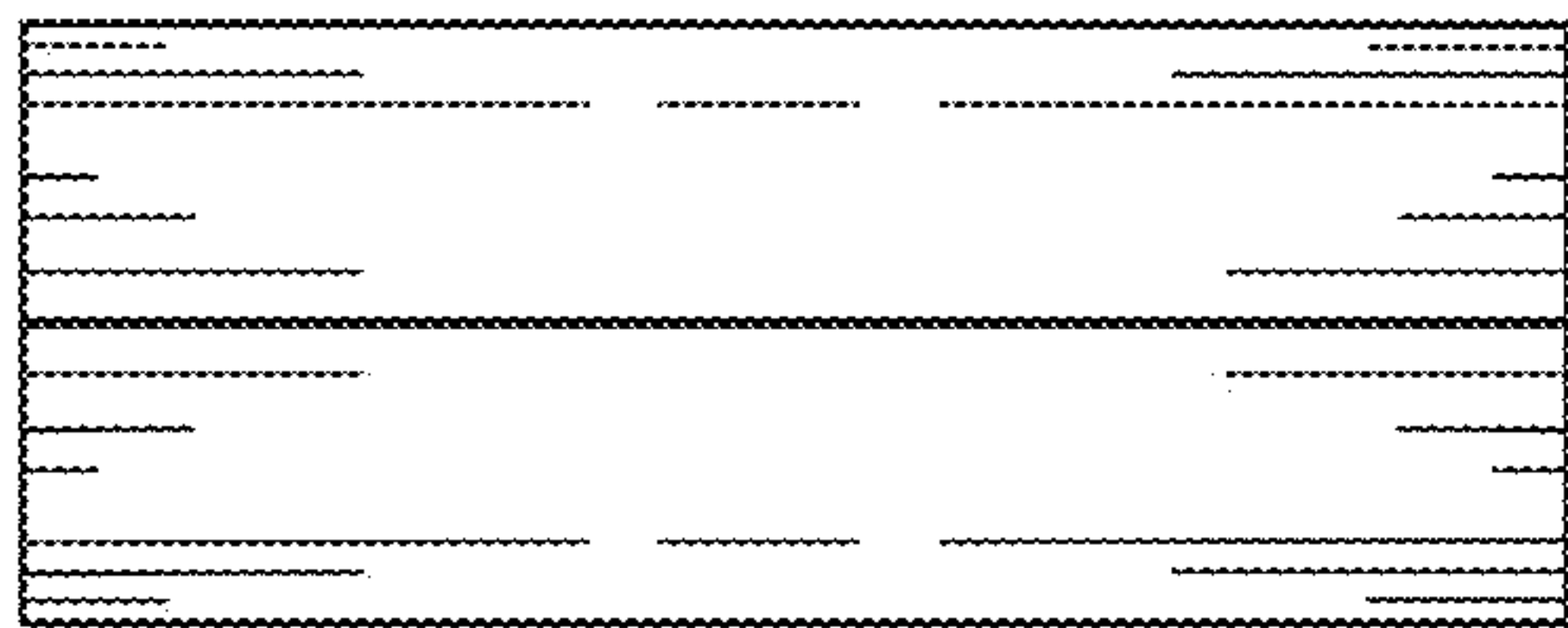


FIG. 7

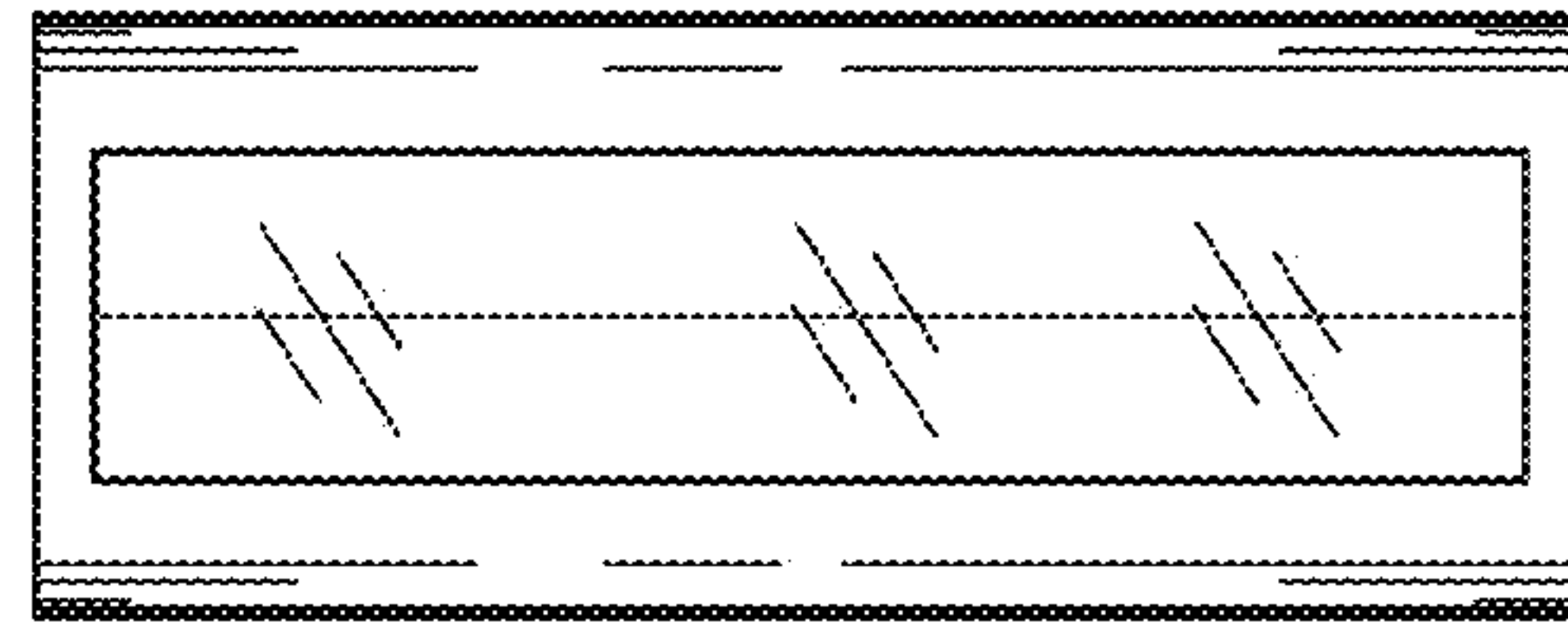


FIG. 8