



US00D970346S

(12) **United States Design Patent** (10) **Patent No.:** **US D970,346 S**  
**Jivago** (45) **Date of Patent:** **\*\* Nov. 22, 2022**

(54) **BOTTLE**

(71) Applicant: **Iana V. Jivago**, Santa Monica, CA (US)

(72) Inventor: **Iana V. Jivago**, Santa Monica, CA (US)

(\*\*) Term: **15 Years**

(21) Appl. No.: **29/729,235**

(22) Filed: **Mar. 25, 2020**

(51) **LOC (13) Cl.** ..... **09-01**

(52) **U.S. Cl.**  
USPC ..... **D9/622**

(58) **Field of Classification Search**  
USPC ..... D9/631, 600, 721, 722, 457, 434,  
D9/614-624, 430-433, 521, 566  
CPC ..... B65D 81/30; B65D 81/60; B65D 81/365;  
B65D 81/366; B65D 81/368; B65D  
39/0047; B65D 39/0035; A41G 5/004;  
A41G 5/00; A41G 5/0046; A41G 3/0066;  
A41G 3/0083

See application file for complete search history.

(56) **References Cited**

**U.S. PATENT DOCUMENTS**

D68,726 S *	11/1925	Mosheim	.....	D9/622
D86,566 S *	3/1932	Gibson	.....	D9/566
D218,146 S *	7/1970	Thomson	.....	D9/622
D375,047 S *	10/1996	Jivago	.....	D9/521
D391,487 S *	3/1998	Jivago	.....	D9/566
D399,426 S *	10/1998	Jivago	.....	D9/521
D454,299 S *	3/2002	Charrey	.....	D9/622
D659,546 S *	5/2012	Chiott	.....	D11/160
D660,175 S *	5/2012	Chiott	.....	D9/545
D746,696 S *	1/2016	Liu	.....	D9/622
D810,578 S *	2/2018	Li	.....	D9/622

**OTHER PUBLICATIONS**

Etsy Avon Ballerina Perfume Bottle empty. [Online] 3 pages. First available 1980s. Published on Mar. 2, 2022. Retrieved Jun. 24, 2022

from URL: <[https://www.etsy.com/listing/776795267/avon-ballerina-perfume-bottle-empty?click\\_key=a9ffac70cd0b74853b34f51df0dfd23e5bebb78%3A77679526%E2%80%A6](https://www.etsy.com/listing/776795267/avon-ballerina-perfume-bottle-empty?click_key=a9ffac70cd0b74853b34f51df0dfd23e5bebb78%3A77679526%E2%80%A6)> (Year: 2022).\*  
Etsy Vintage 90s 1990s 80s 1980s Dancer Ballet Sculpture Art Glass. [Online] 3 pages. First available 1997. Published on Apr. 10, 2022. Retrieved Jun. 28, 2022 from URL: <<https://etsy.me/3Nngeio>> (Year: 2022).\*  
Mercari Avon Charisma bath oil bottle. [Online] 6 pages. Published on: May 12, 2022. Retrieved Jun. 24, 2022 from URL: <<https://bit.ly/3OPlyek>> (Year: 2022).\*

(Continued)

*Primary Examiner* — Vy N Koenig

*Assistant Examiner* — Anastasia Longoria

(74) *Attorney, Agent, or Firm* — Smith, Gambrell & Russell, LLP

(57) **CLAIM**

The ornamental design for a bottle, as shown and described.

**DESCRIPTION**

FIG. 1 shows a front perspective view of a bottle showing my new design;

FIG. 2 shows a front elevation view of the bottle shown in FIG. 1;

FIG. 3 shows a rear elevation view of the bottle shown in FIG. 1;

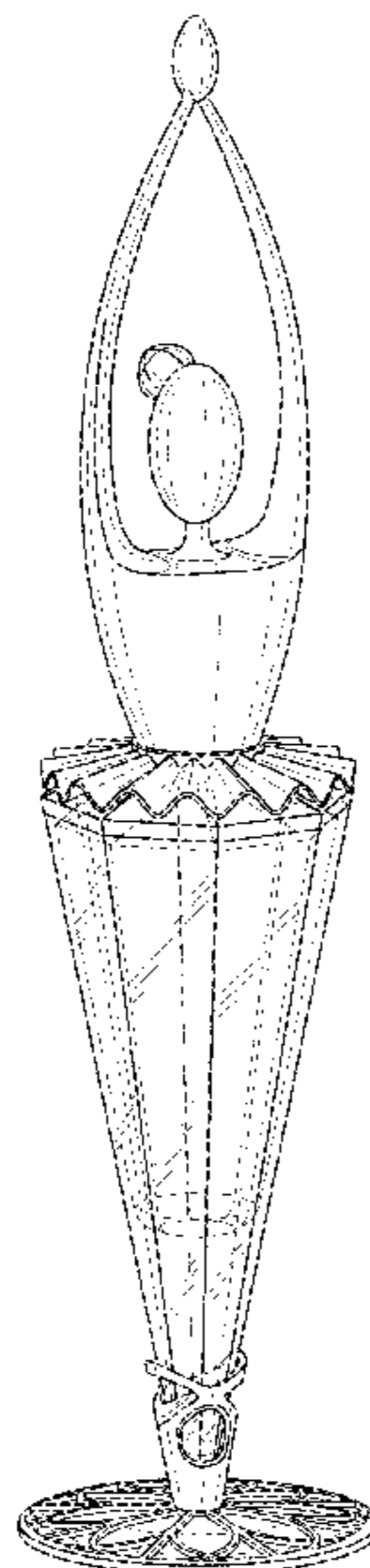
FIG. 4 shows a right elevation view of the bottle shown in FIG. 1;

FIG. 5 shows a left elevation view of the bottle shown in FIG. 1;

FIG. 6 shows a top plan view of the bottle shown in FIG. 1; and,

FIG. 7 shows a bottom plan view of the bottle shown in FIG. 1.

**1 Claim, 6 Drawing Sheets**



(56)

**References Cited**

OTHER PUBLICATIONS

Ebay Jivago 24K Ilana Jivago Beverly Hills Womens Perfume.  
[Online] 6 pages. Published on: Jun. 29, 2022 Retrieved Jun. 30,  
2022 from URL: <[https://www.ebay.com/itm/294924738677?\\_trkparms=amclsrc%3DITM%26aid%3D1110006%26algo%3DHOMESPLICE.SIM%26ao%3D1%26asc%253%E2%80%A6](https://www.ebay.com/itm/294924738677?_trkparms=amclsrc%3DITM%26aid%3D1110006%26algo%3DHOMESPLICE.SIM%26ao%3D1%26asc%253%E2%80%A6)>(Year: 2022).\*

\* cited by examiner

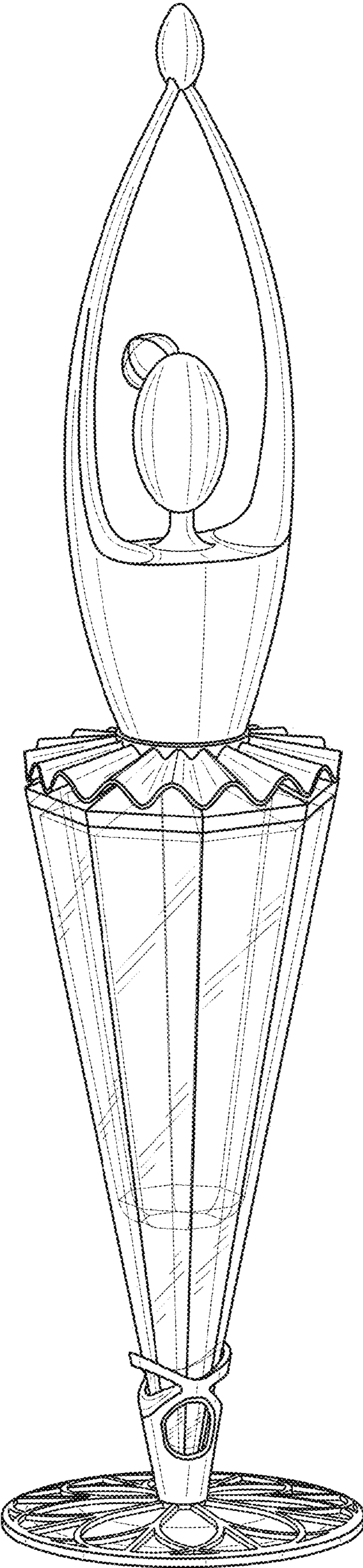


FIG. 1

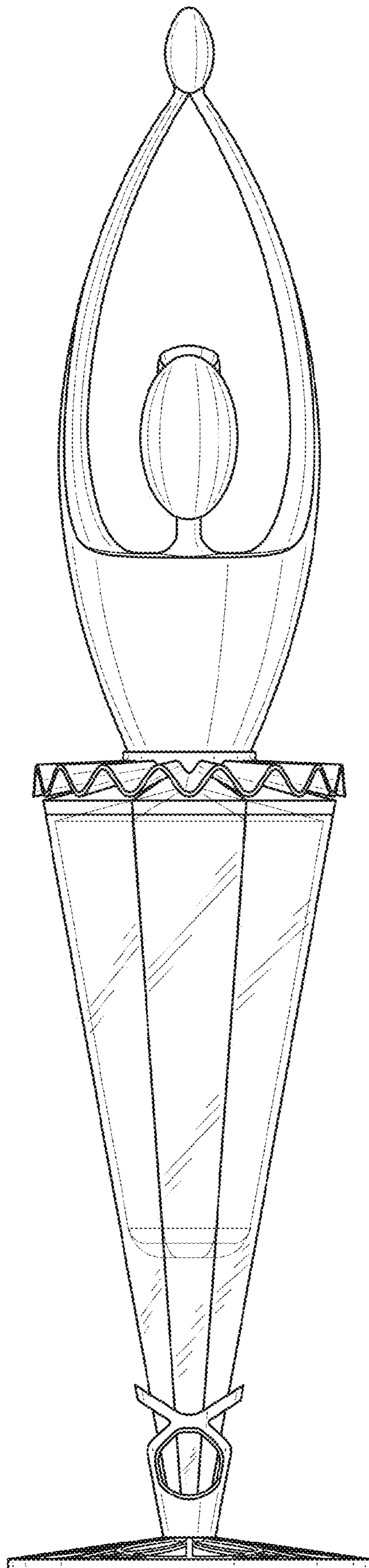


FIG. 2

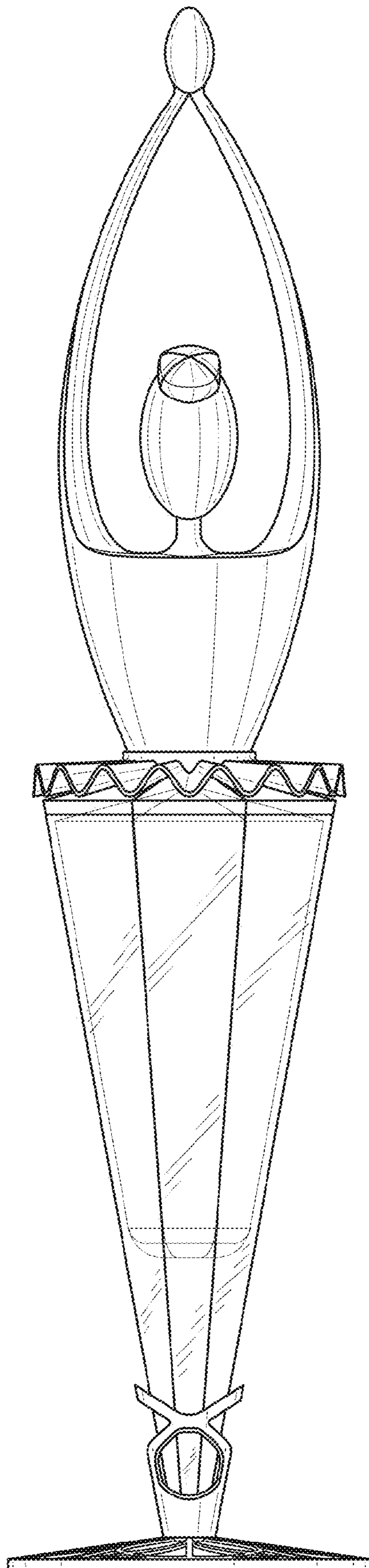


FIG. 3

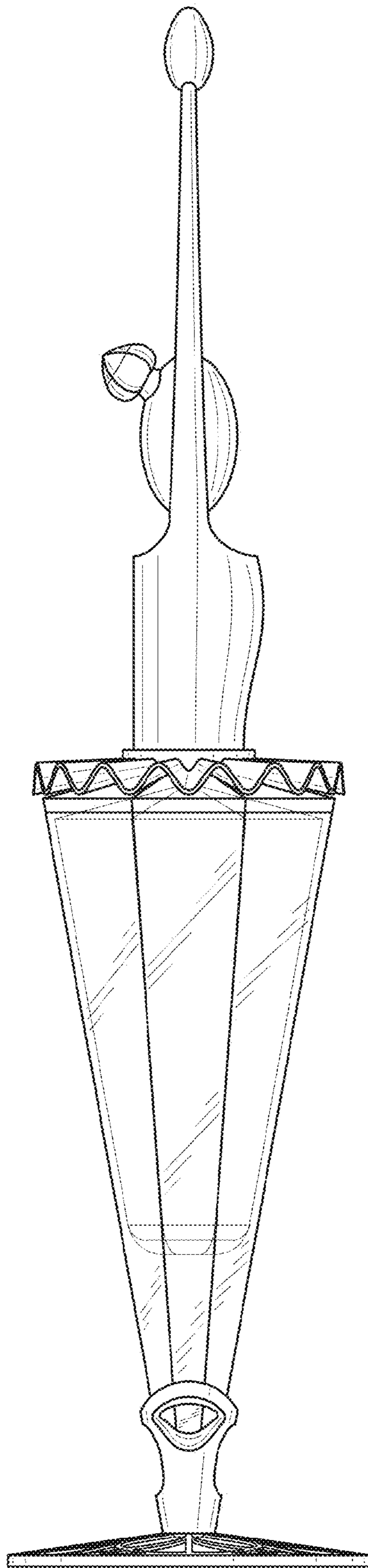


FIG. 4

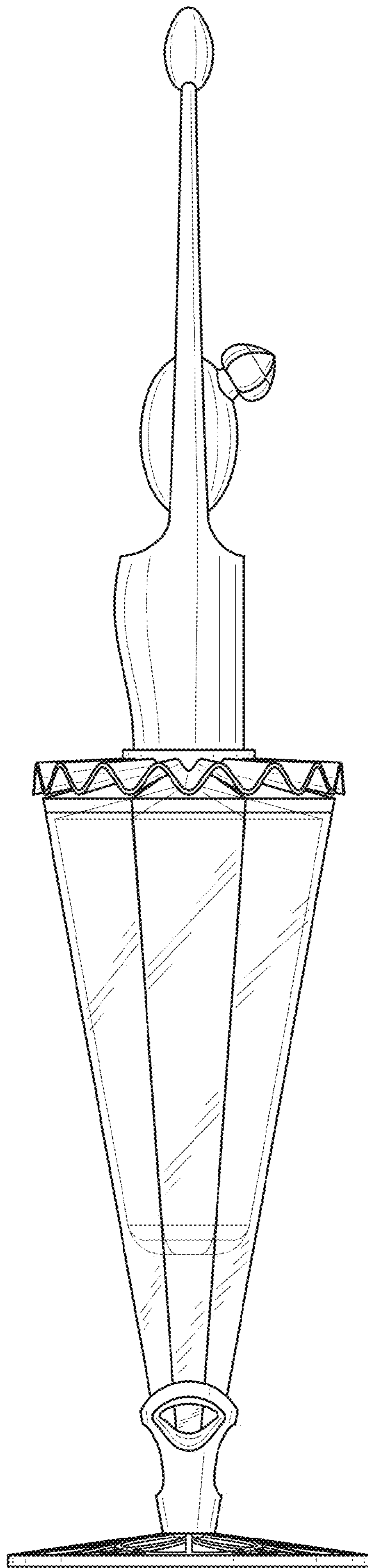


FIG. 5

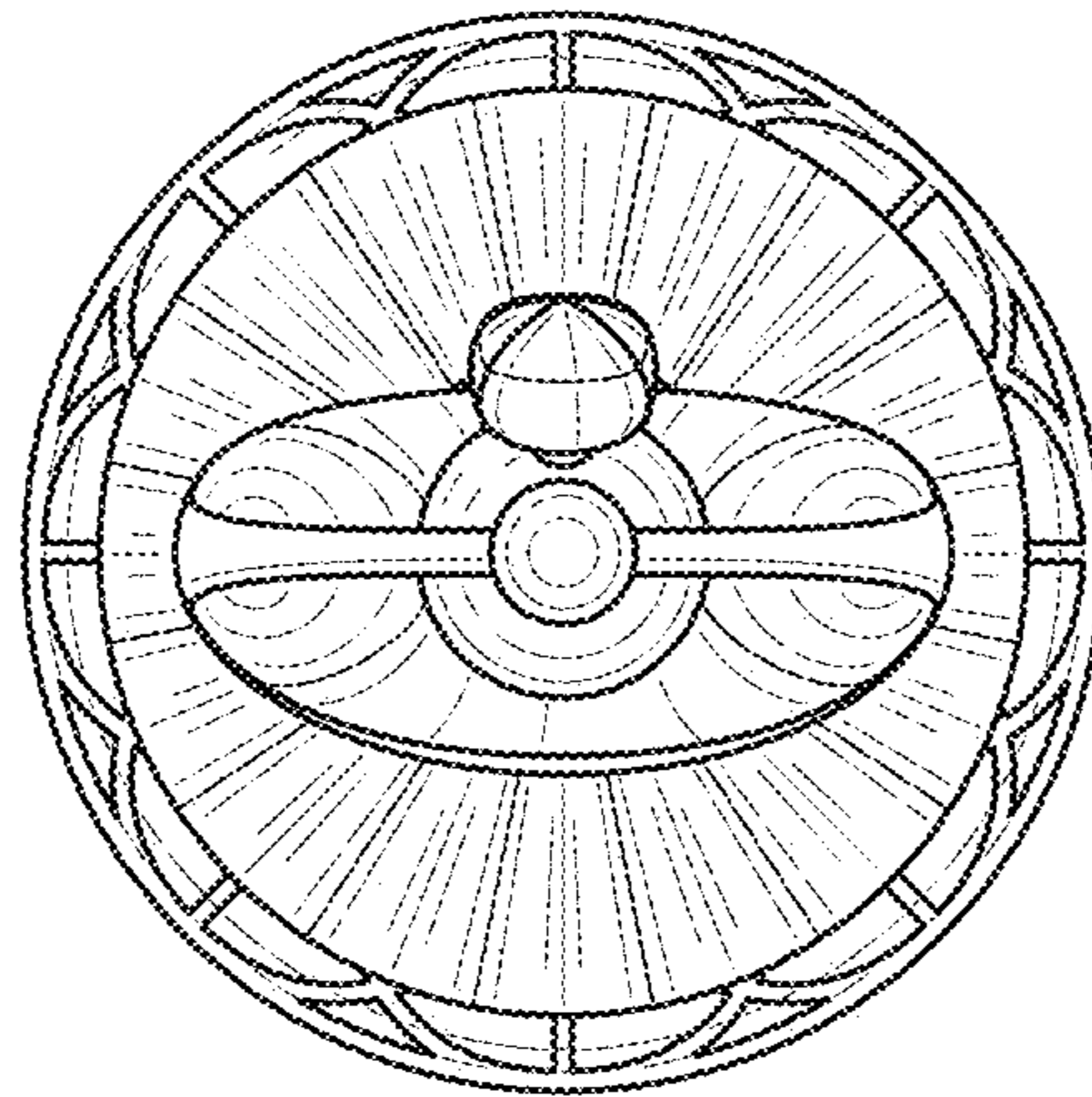


FIG. 6

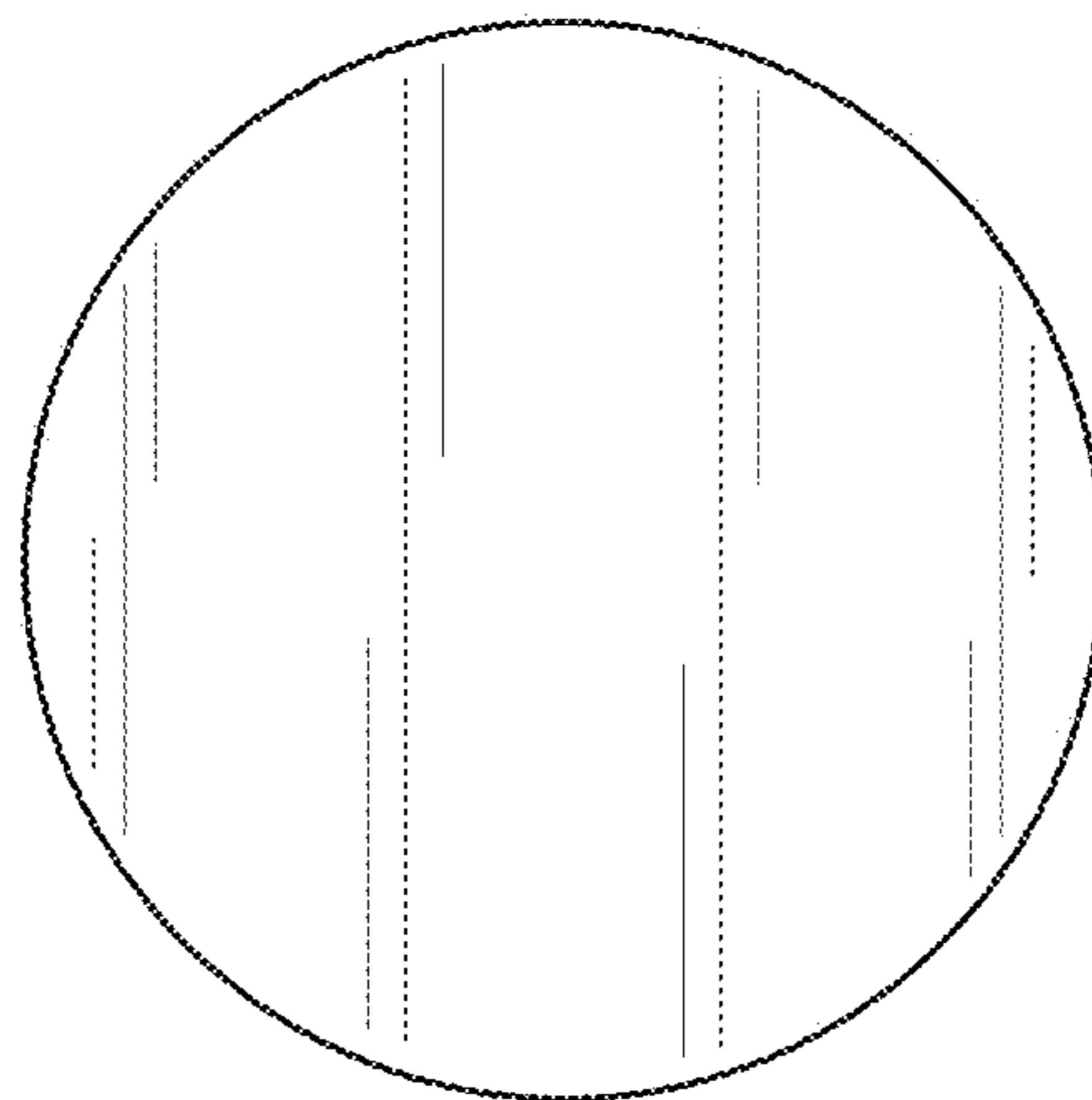


FIG. 7