



US00D970342S

(12) **United States Design Patent** (10) **Patent No.:** **US D970,342 S**
Wittmann (45) **Date of Patent:** **** Nov. 22, 2022**

(54) **BEVERAGE BOTTLE** D567,663 S * 4/2008 Kinmont D9/551
D572,137 S * 7/2008 Dimmel D9/551
(71) Applicant: **Krones AG**, Neutraubling (DE) 8,186,529 B2 * 5/2012 Kinmont B65D 23/102
220/675
(72) Inventor: **Laura Wittmann**, Neutraubling (DE) D736,628 S * 8/2015 Fleischhacker D9/500
D754,002 S * 4/2016 Knight D9/551
(73) Assignee: **Krones AG**, Neutraubling (DE) D760,084 S * 6/2016 Steward D9/554
D767,404 S * 9/2016 Eaton D9/552
D772,071 S * 11/2016 Eaton D9/540
(**) Term: **15 Years** D809,394 S * 2/2018 Steward D9/539
D885,192 S * 5/2020 Hall D6/556
(21) Appl. No.: **29/776,737** 2008/0257855 A1 * 10/2008 Patel B29B 11/14
215/370

(22) Filed: **Mar. 31, 2021**
(51) **LOC (13) Cl.** **09-07**
(52) **U.S. Cl.**
USPC **D9/503**
(58) **Field of Classification Search**
USPC D9/428, 434, 454, 500, 501, 502, 503,
D9/504, 505, 516, 529, 537, 538, 539,
D9/540, 544, 545, 549, 551, 552, 553,
D9/560, 573, 574, 575, 628, 688, 738,
D9/767, 772; D7/300, 300.1, 589, 591,
D7/598, 601, 605, 608
CPC B65D 1/02; B65D 1/0223; B65D 1/023;
B65D 1/40; B65D 23/00; B65D 23/102;
B65D 2501/00; B65D 2501/0009; B65D
2501/0081; B65D 1/00; B65D 1/0246;
B65D 41/04; B65D 81/00; B65D 1/0207;
B65D 1/0276; B65D 79/0084; Y10S
215/00; Y10S 264/918; B21D 22/28;
B21D 51/26; B21D 51/2615; F25D 3/08;
B29C 49/54
See application file for complete search history.

(56) **References Cited**
U.S. PATENT DOCUMENTS
D522,871 S * 6/2006 Rowse D9/539
D538,170 S * 3/2007 Venkataraman D9/551
D561,595 S * 2/2008 Le Bras-Brown D9/520

OTHER PUBLICATIONS

Canada Dry Ginger Ale Bottle, posted at Amazon.com on (date not available), [site visited Jun. 2, 2022]. Available from internet, URL: <<https://www.amazon.com/dp/B07WV635ZM/>> (Year: NA).*

* cited by examiner

Primary Examiner — Andrew Kerr
Assistant Examiner — Chariton Alexakis
(74) *Attorney, Agent, or Firm* — Trojan Law Offices

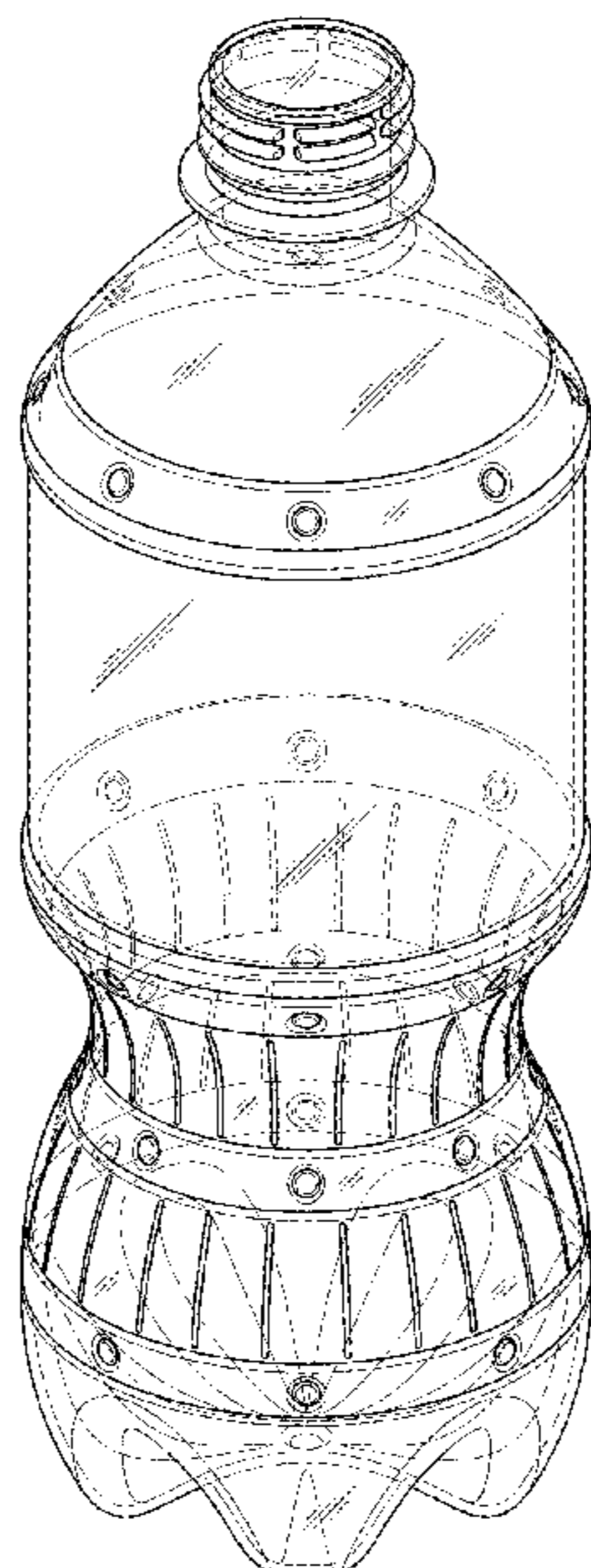
(57) **CLAIM**

The ornamental design for a beverage bottle, as shown and described.

DESCRIPTION

FIG. 1 is a front perspective view of a beverage bottle, showing my new design;
FIG. 2 is a front view of the beverage bottle of FIG. 1;
FIG. 3 is a rear view of the beverage bottle of FIG. 1;
FIG. 4 is a left side view of the beverage bottle of FIG. 1;
FIG. 5 is a right side view of the beverage bottle of FIG. 1;
FIG. 6 is a top view of the beverage bottle of FIG. 1; and,
FIG. 7 is a bottom view of the beverage bottle of FIG. 1.

1 Claim, 4 Drawing Sheets



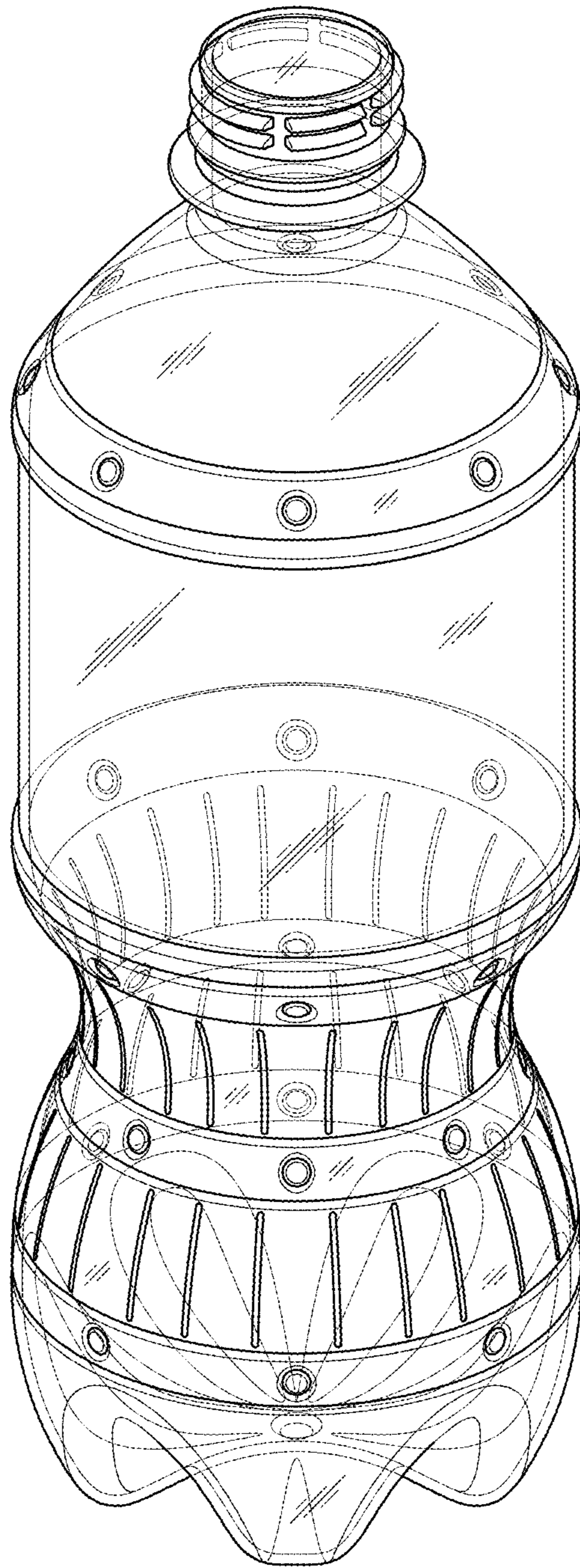


FIG. 1

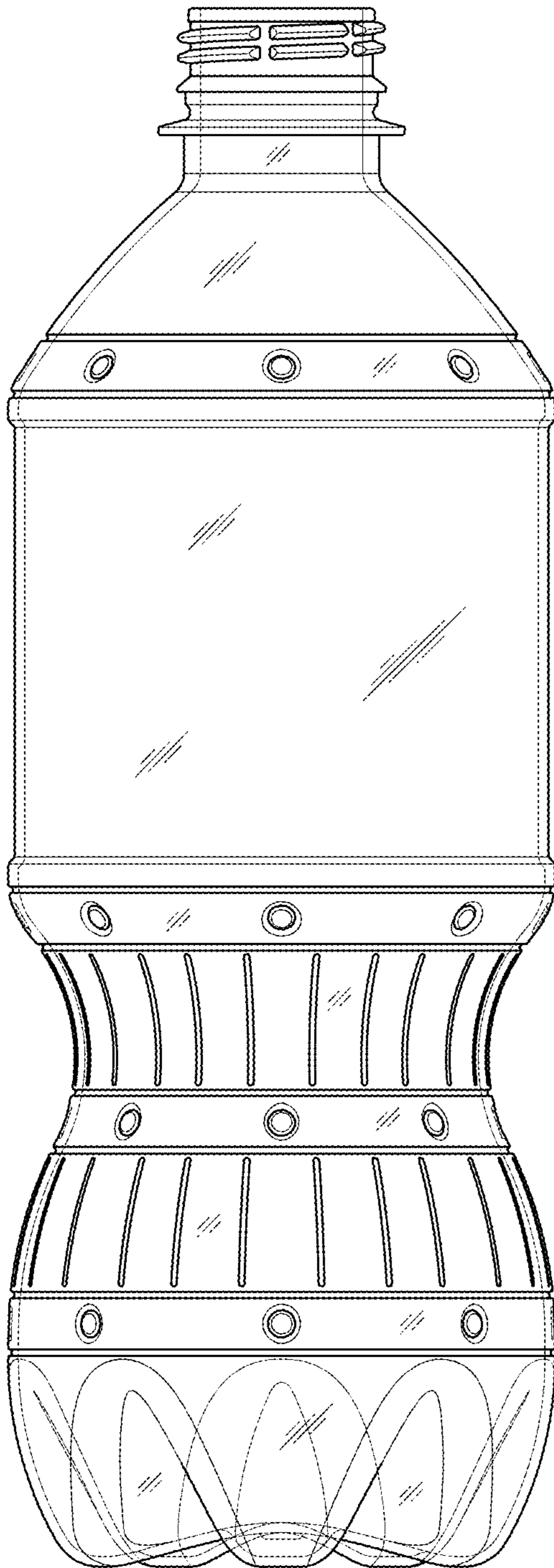


FIG. 2

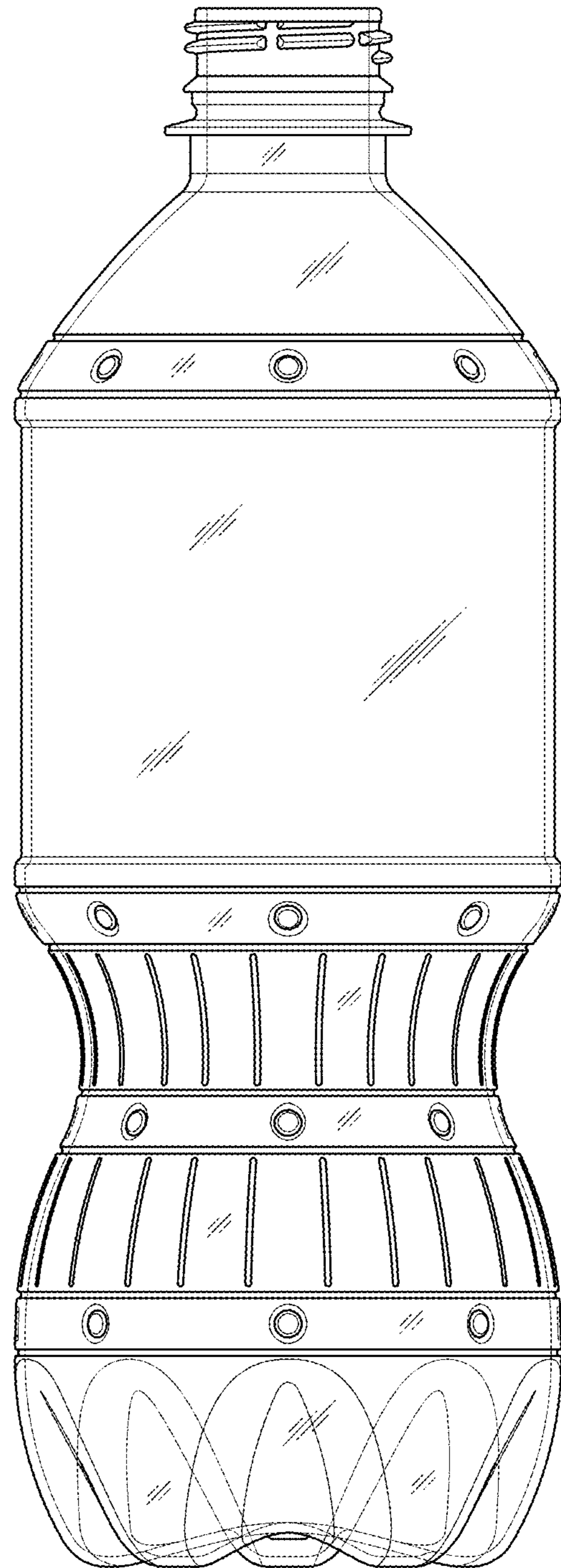


FIG. 3

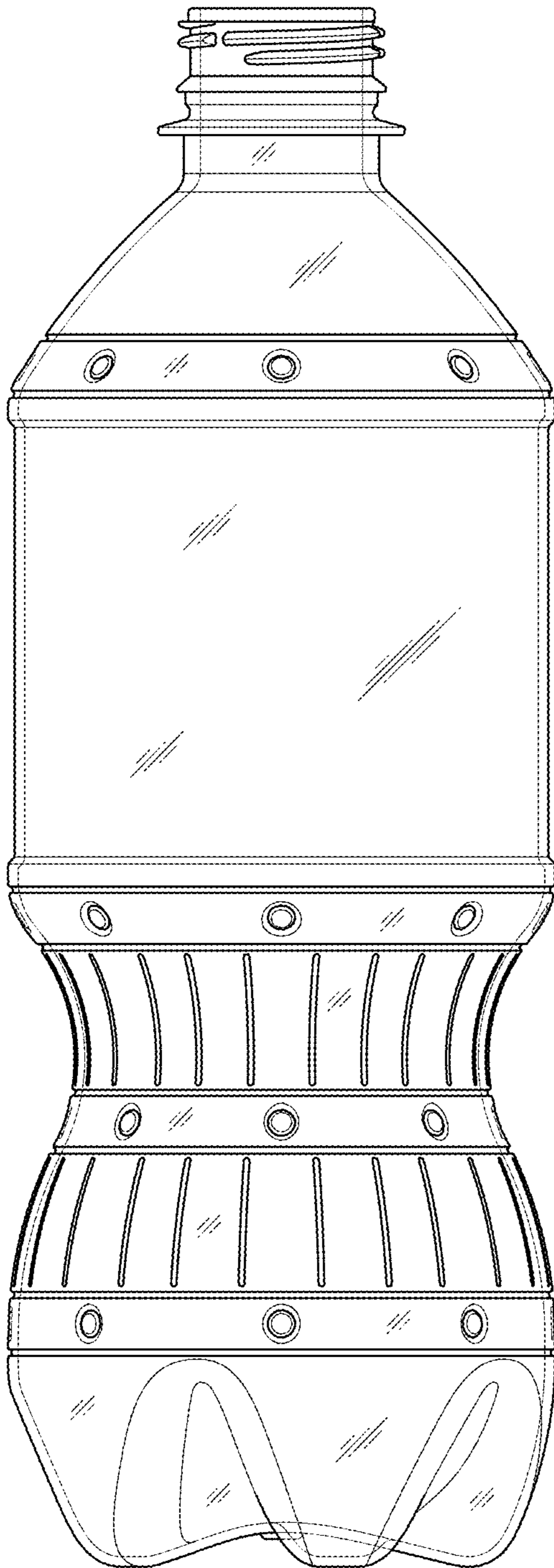


FIG. 4

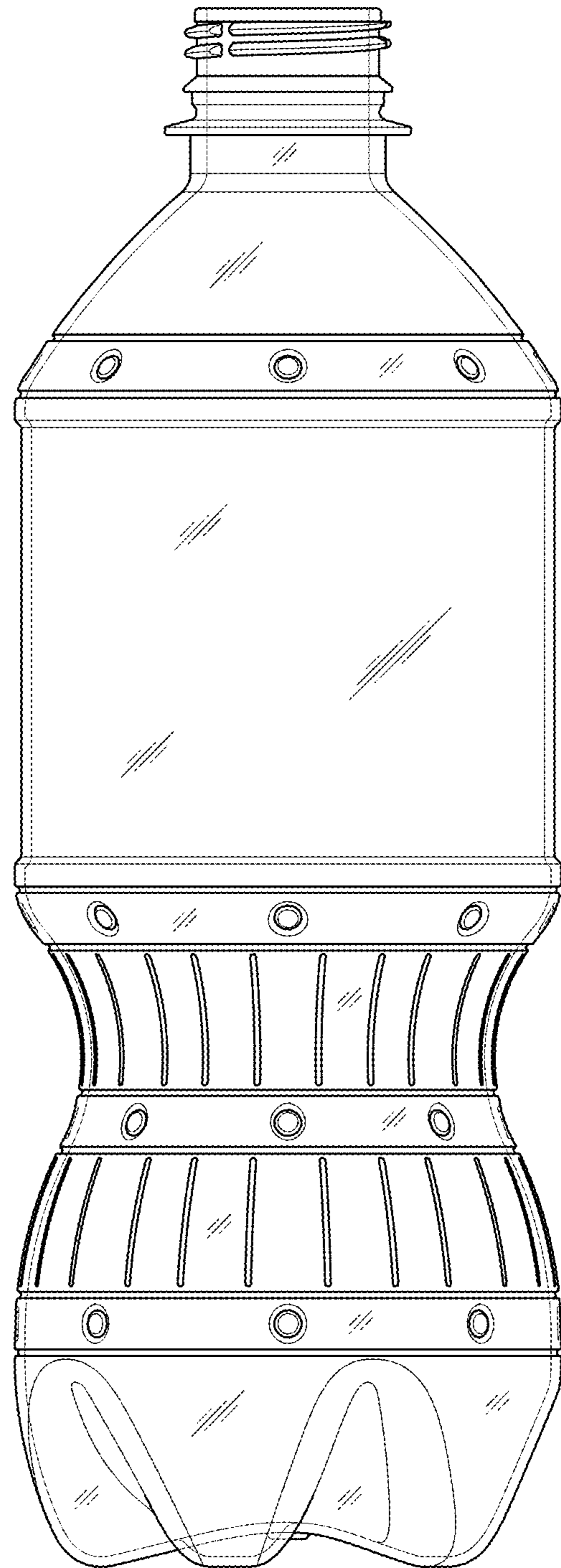


FIG. 5

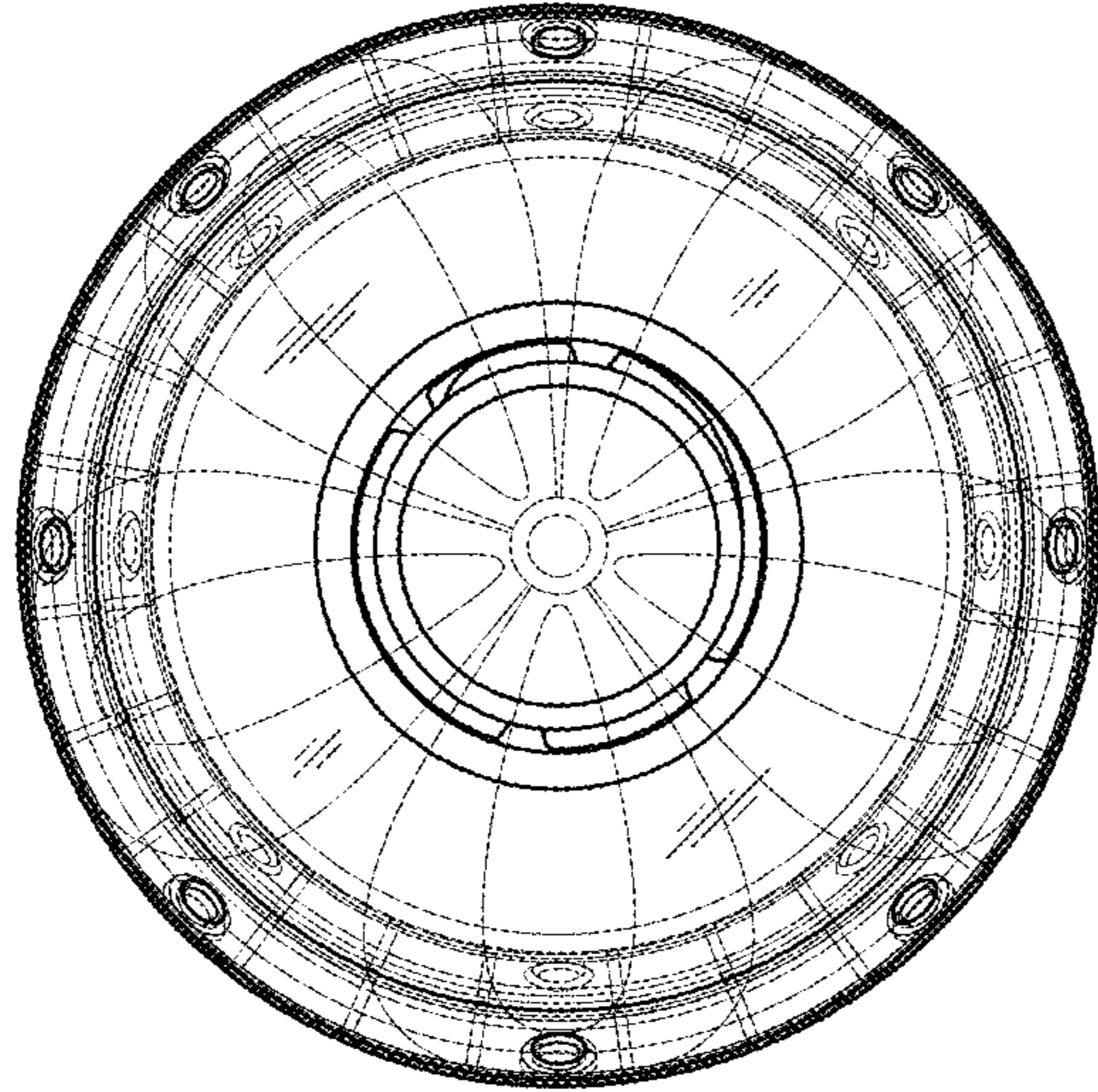


FIG. 6

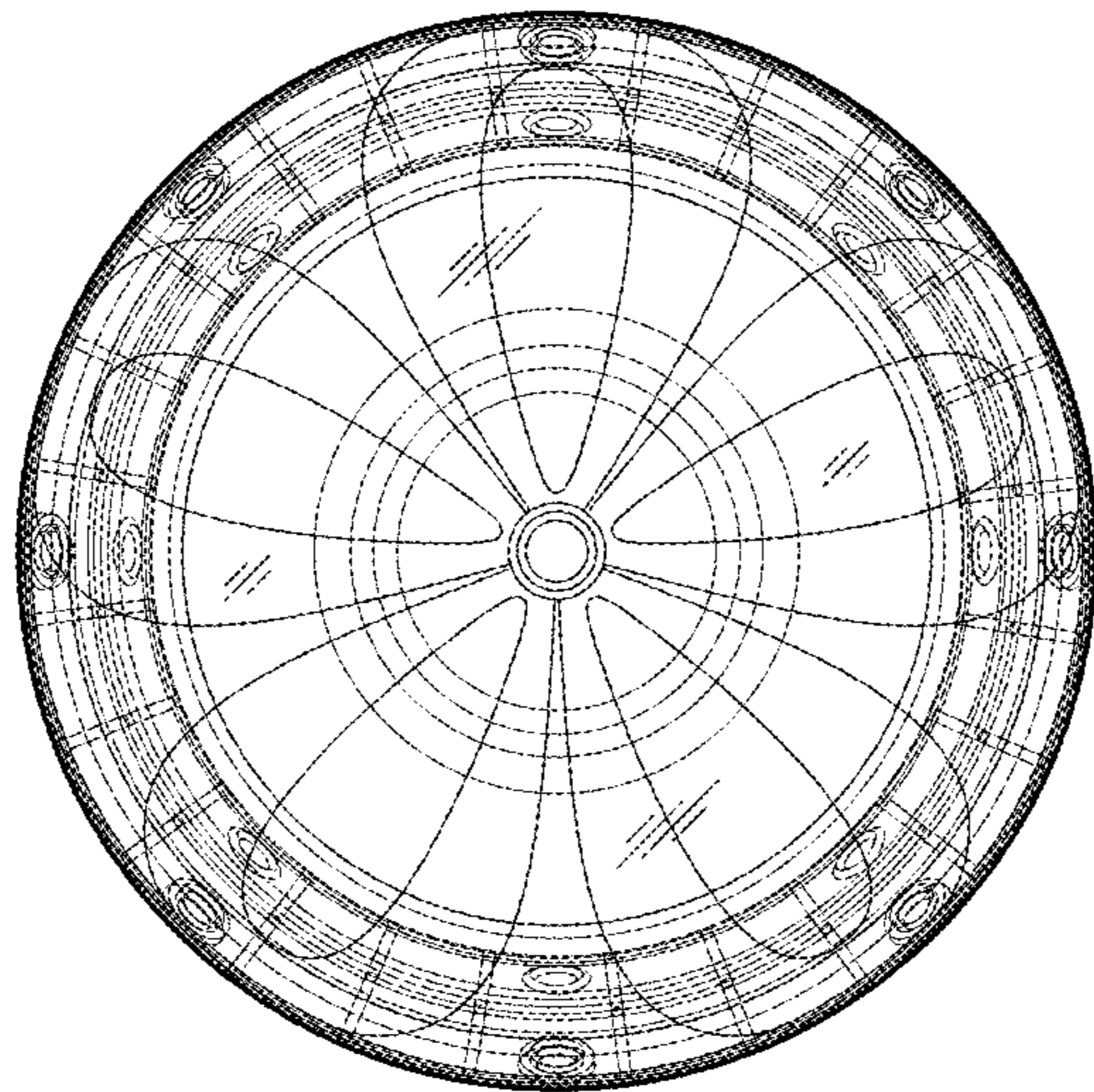


FIG. 7