



US00D970341S

(12) **United States Design Patent**
Yoshida

(10) **Patent No.:** **US D970,341 S**

(45) **Date of Patent:** **** Nov. 22, 2022**

(54) **PLASTIC COVER**

(71) Applicant: **DAIKYO SEIKO, LTD.**, Tochigi (JP)

(72) Inventor: **Takayuki Yoshida**, Tochigi (JP)

(73) Assignee: **DAIKYO SEIKO, LTD.**, Tochigi (JP)

(**) Term: **15 Years**

(21) Appl. No.: **29/747,589**

(22) Filed: **Aug. 24, 2020**

Related U.S. Application Data

(62) Division of application No. 29/683,124, filed on Mar. 11, 2019, now Pat. No. Des. 907,493.

(51) **LOC (13) Cl.** **09-07**

(52) **U.S. Cl.**
USPC **D9/443; D9/454**

(58) **Field of Classification Search**
USPC D7/392.1, 396.2, 387, 601, 602, 509,
D7/510, 523, 629, 630; D9/434, 435,
(Continued)

(56) **References Cited**

U.S. PATENT DOCUMENTS

D261,486 S 10/1981 Smith
4,375,862 A * 3/1983 Kurinsky B65D 43/0212
D7/392.1

(Continued)

OTHER PUBLICATIONS

Daikyo. Plascap. No date specified, <https://www.daikyoseiko.jp/en/product/plascap/> (Year: 0).*

(Continued)

Primary Examiner — Darcey E Gottschalk
(74) *Attorney, Agent, or Firm* — Hamre, Schumann,
Mueller & Larson, P.C.

(57) **CLAIM**

The ornamental design for a plastic cover, as shown and described.

DESCRIPTION

FIG. 1 is a top perspective view of a first plastic cover showing our design;

FIG. 2 is a bottom perspective view of the first plastic cover;

FIG. 3 is a top plan view of the first plastic cover;

FIG. 4 is a bottom plan view of the first plastic cover;

FIG. 5 is a front elevational view of the first plastic cover, the left, right, and rear elevational views being identical thereto;

FIG. 6 is a cross sectional view of the first plastic cover along the line 6-6 in FIG. 3;

FIG. 7 is an enlarged view of the left end portion of the cross sectional view of the first plastic cover as indicated in FIG. 6;

FIG. 8 is an enlarged view of the right end portion of the cross sectional view of the first plastic cover as indicated in FIG. 6;

FIG. 9 is a top perspective view of the first plastic cover shown in an environment of use;

FIG. 10 is a cross sectional view of the first plastic cover shown in the environment of use along the line 10-10 in FIG. 9;

FIG. 11 is a top perspective view of a second plastic cover showing our design;

FIG. 12 is a bottom perspective view of the second plastic cover;

FIG. 13 is a top plan view of the second plastic cover;

FIG. 14 is a bottom plan view of the second plastic cover;

FIG. 15 is a front elevational view of the second plastic cover, the left, right, and rear elevational views being identical thereto;

FIG. 16 is a cross sectional view of the second plastic cover along the line 16-16 in FIG. 13;

FIG. 17 is an enlarged view of the left end portion of the cross sectional view of the second plastic cover as indicated in FIG. 16;

FIG. 18 is an enlarged view of the right end portion of the cross sectional view of the second plastic cover as indicated in FIG. 16;

(Continued)

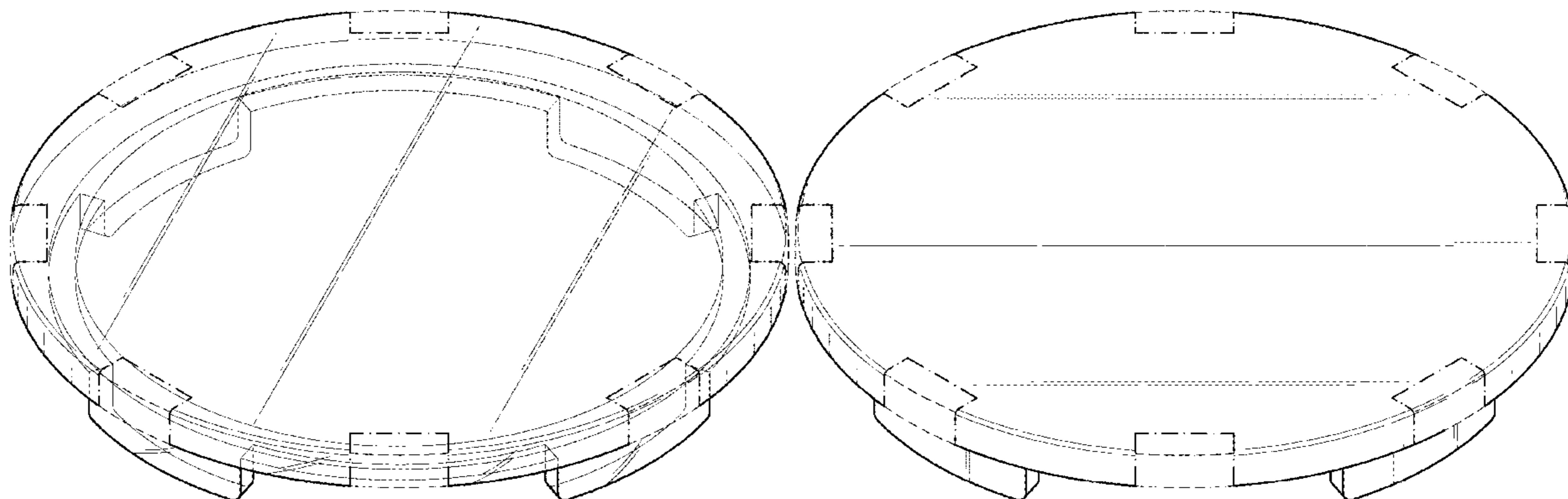


FIG. 19 is a top perspective view of a plastic cap including the second Plastic cover;

FIG. 20 is a bottom perspective view of the second plastic cover shown in an environment of use; and,

FIG. 21 is a cross sectional view of the second plastic cover shown in the environment of use along the line 21-21 in FIG. 19.

The broken lines in FIGS. 1-21 indicate unclaimed portions and environment and form no part of the claimed design. The dot-dash lines in FIGS. 1-21 define the bounds of the claimed design and form no part thereof.

1 Claim, 15 Drawing Sheets

(58) **Field of Classification Search**

USPC D9/452-454, 499, 436-440, 443, D9/445-450, 504, 520, 737, 744, 745, D9/754; D3/201, 202, 242, 243, 272, D3/276, 304, 308, 315, 318
CPC B65D 1/0223; B65D 23/12; B65D 41/04; B65D 51/24; A61L 9/12
See application file for complete search history.

(56) **References Cited**

U.S. PATENT DOCUMENTS

D360,336 S * 7/1995 Bitel, Jr. D7/391
D432,914 S * 10/2000 Hayes D9/434
D522,857 S * 6/2006 Tabeshnekoo D9/435
D600,120 S 9/2009 Kawamura
D630,944 S 1/2011 Kawamura
D675,922 S * 2/2013 MacNeill D9/438
D678,769 S 3/2013 Kawamura

D678,770 S 3/2013 Kawamura
D678,771 S 3/2013 Kawamura
D717,104 S 11/2014 Redfern
D718,133 S 11/2014 Fraser et al.
D752,975 S 4/2016 Gatto
D756,222 S * 5/2016 Lopez D9/434
D763,083 S * 8/2016 Seybel D9/454
D774,887 S 12/2016 Torrison
D795,068 S 8/2017 Lefebvre et al.
D826,047 S 8/2018 Griffis
D827,435 S 9/2018 Griffis
D854,878 S 7/2019 Duvigneau
D866,248 S 11/2019 Baron et al.
D875,525 S 2/2020 Griffis
D876,236 S 2/2020 Griffis
D907,493 S * 1/2021 Yoshida D9/454
D907,494 S * 1/2021 Yoshida D9/454
D917,963 S * 5/2021 Öztürk D7/392.1
D959,192 S 8/2022 Lin
D959,982 S 8/2022 Xie
D960,706 S 8/2022 Yamada
D960,707 S 8/2022 Yamada
D960,708 S * 8/2022 Yamada D9/454
2012/0118894 A1 5/2012 Kawamura et al.

OTHER PUBLICATIONS

Contact Pharma. West Showcases Daikyo Plascap RUV at PDA. Mar. 19, 2018. https://www.contractpharma.com/contents/view_breaking-news/2018-03-19/west-showcases-daikyo-plascap-ruv-at-pda/ (Year: 2018).
37 CFR 1.132 Declaration for U.S. Appl. No. 13/282,884 filed with USPTO on Jul. 20, 2018, 12 pages.
“Flurotec Closures”, Daikyo, available at <http://www.daikyoseiko.jp/english/rubber/laminated.html>, no date specified, 1 page (cited in the Restriction Requirement of Apr. 28, 2020 in the parent U.S. Appl. No. 29/683,124).

* cited by examiner

Fig. 1

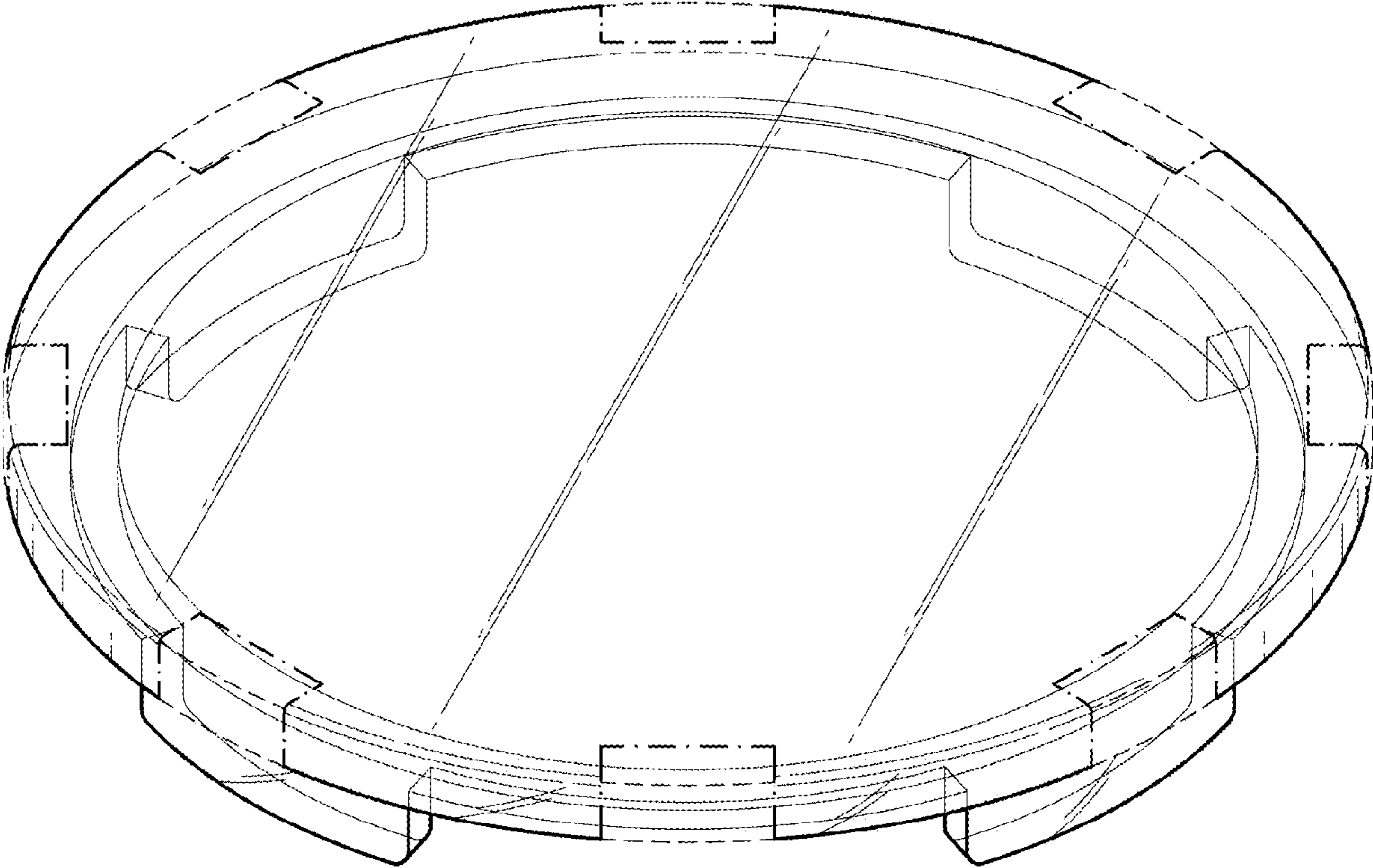


Fig. 2

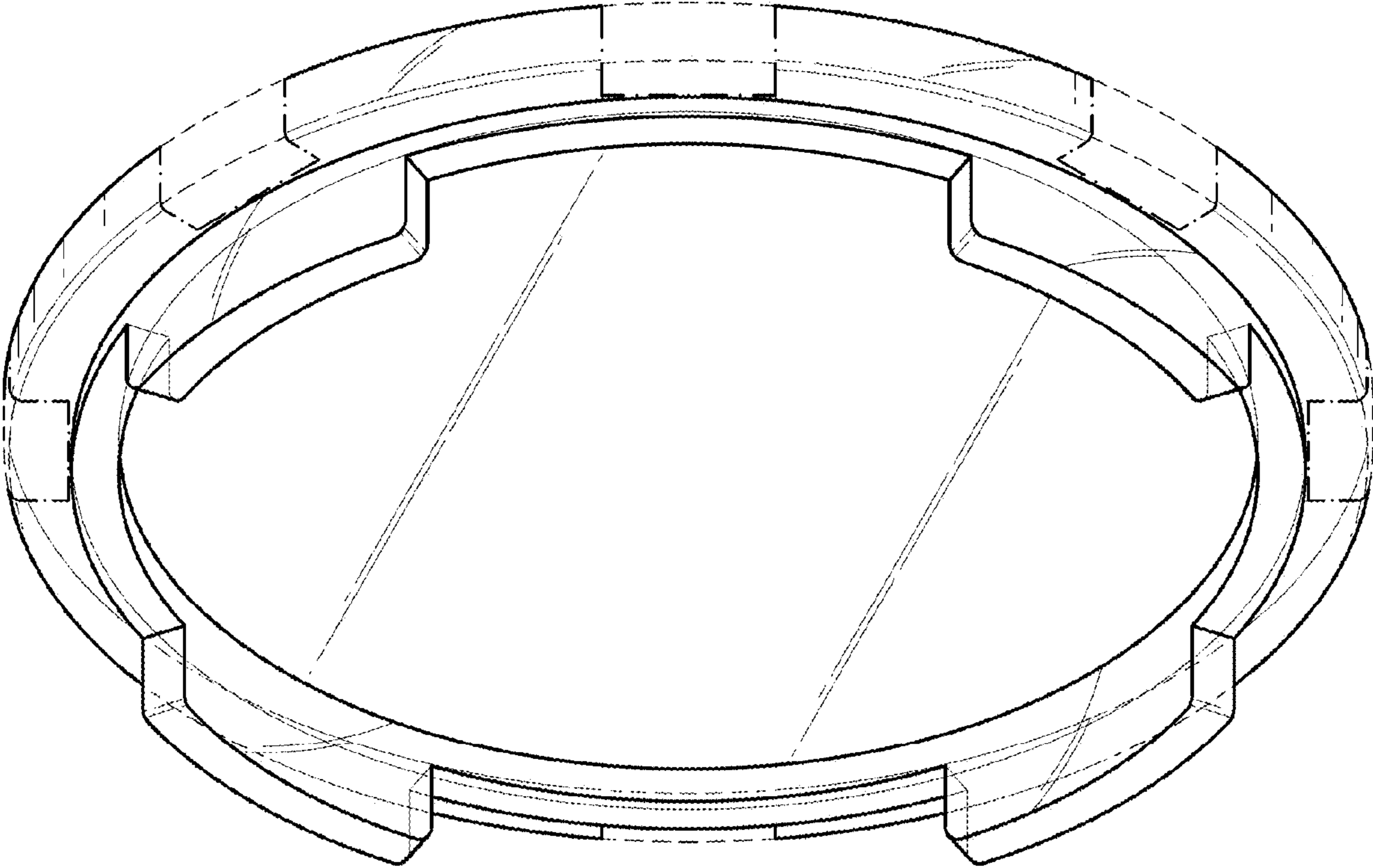


Fig. 3

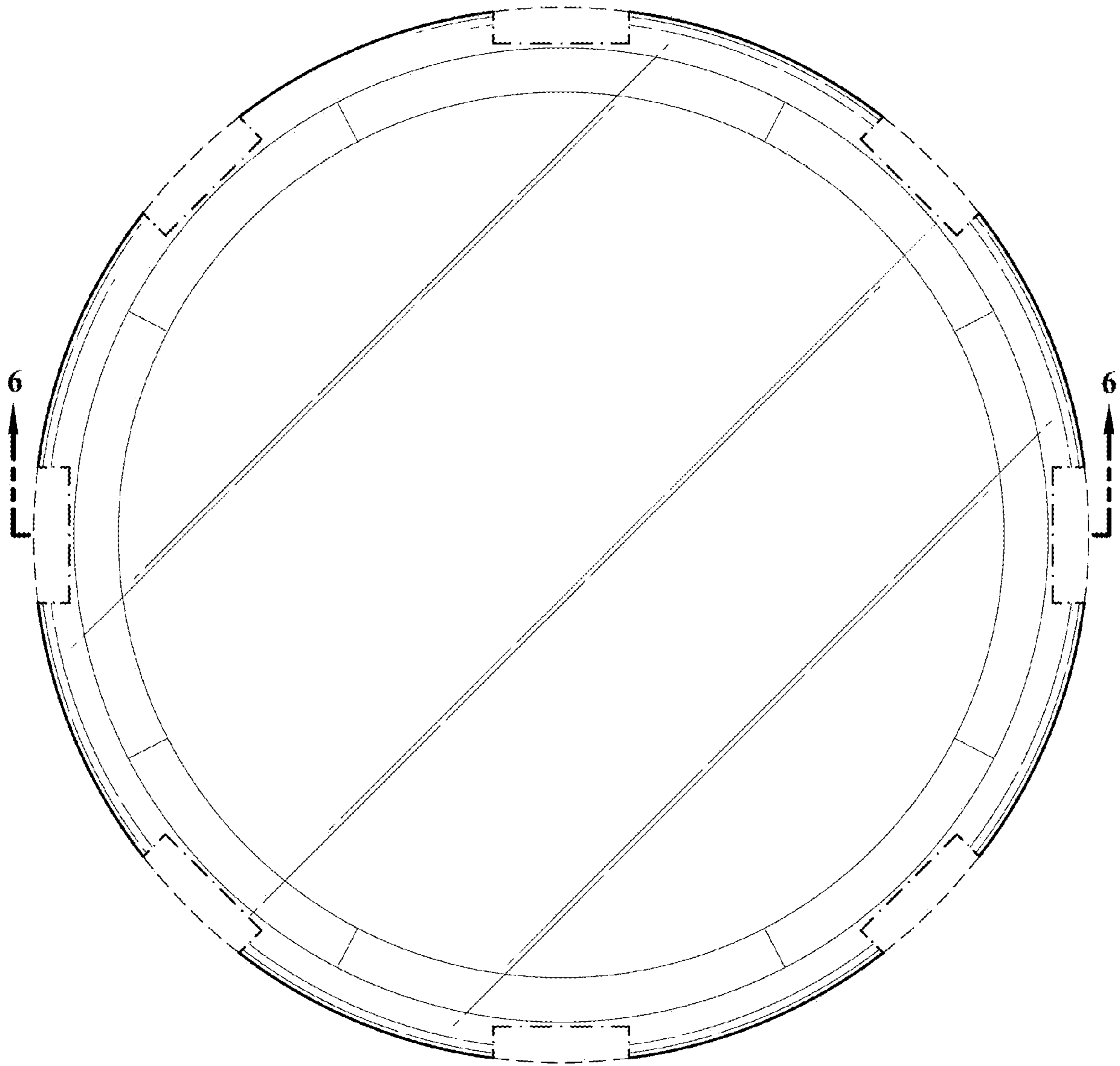


Fig. 4

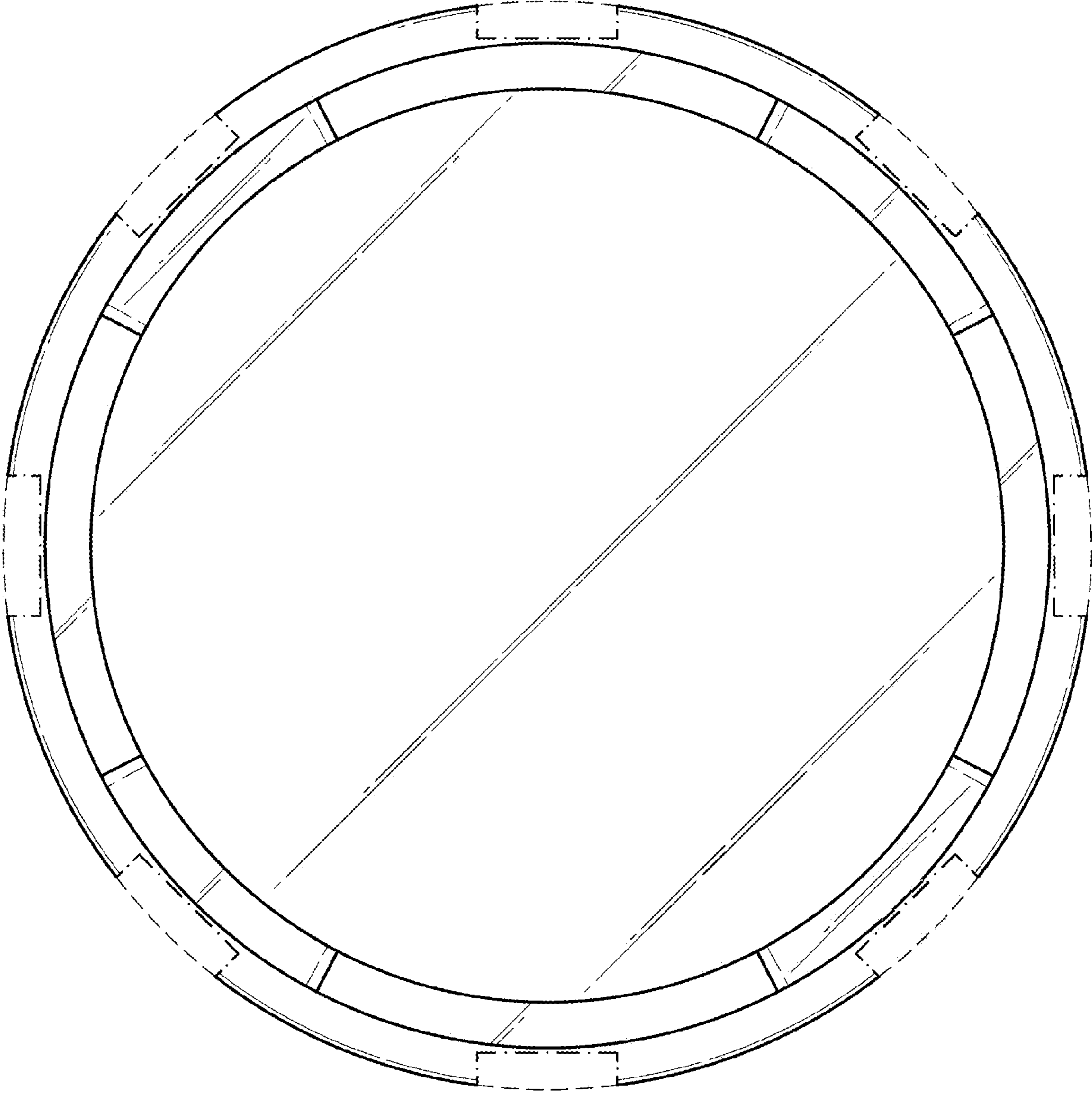


Fig. 5

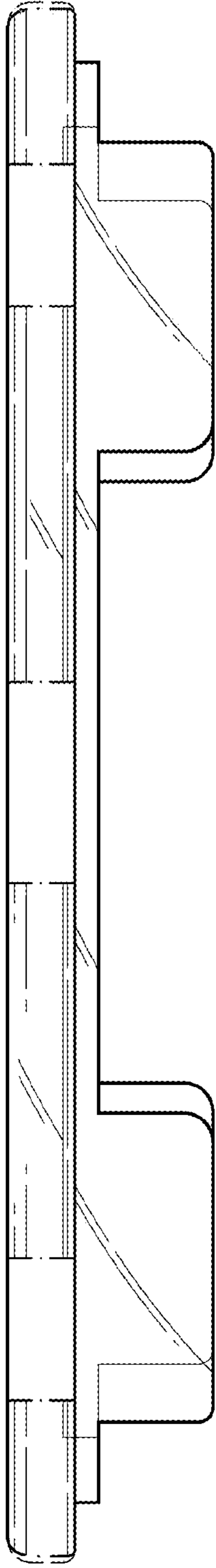


Fig. 6

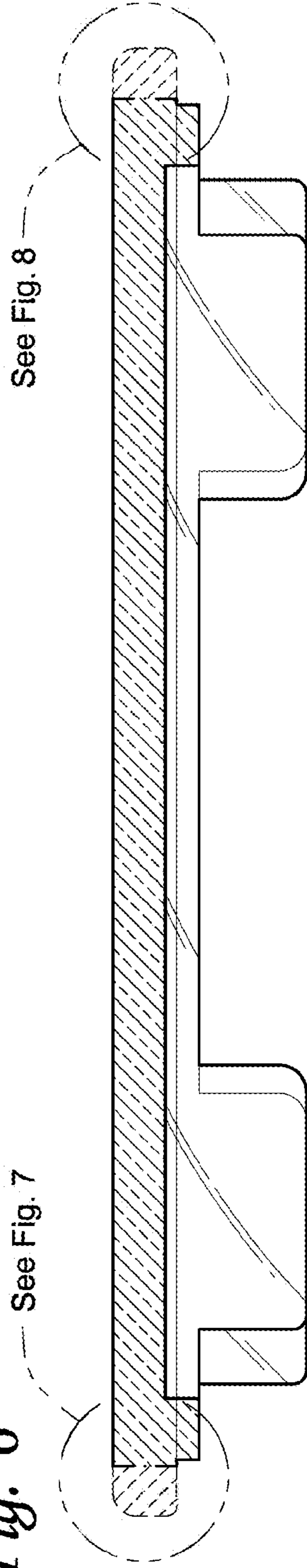


Fig. 7

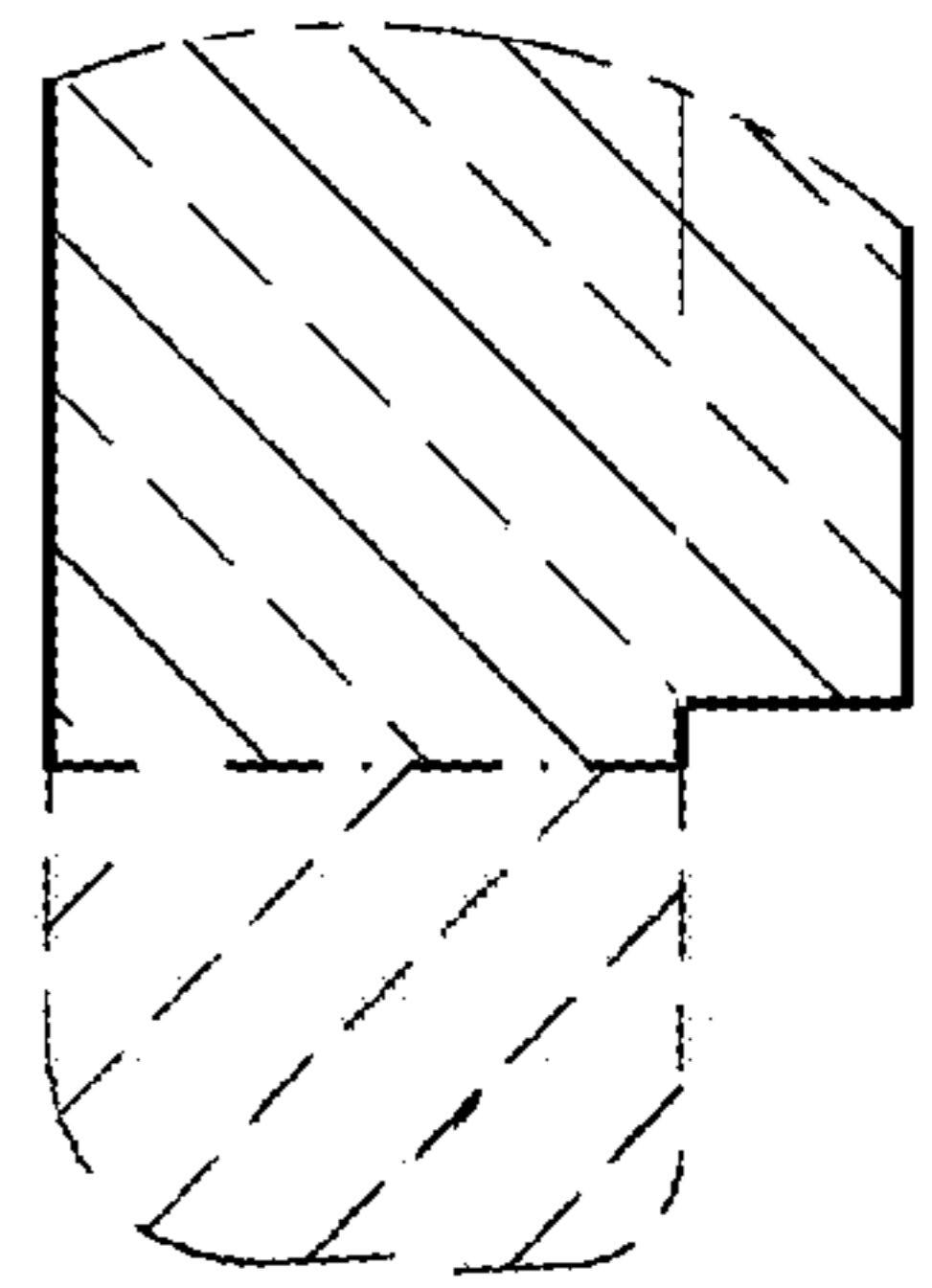


Fig. 8

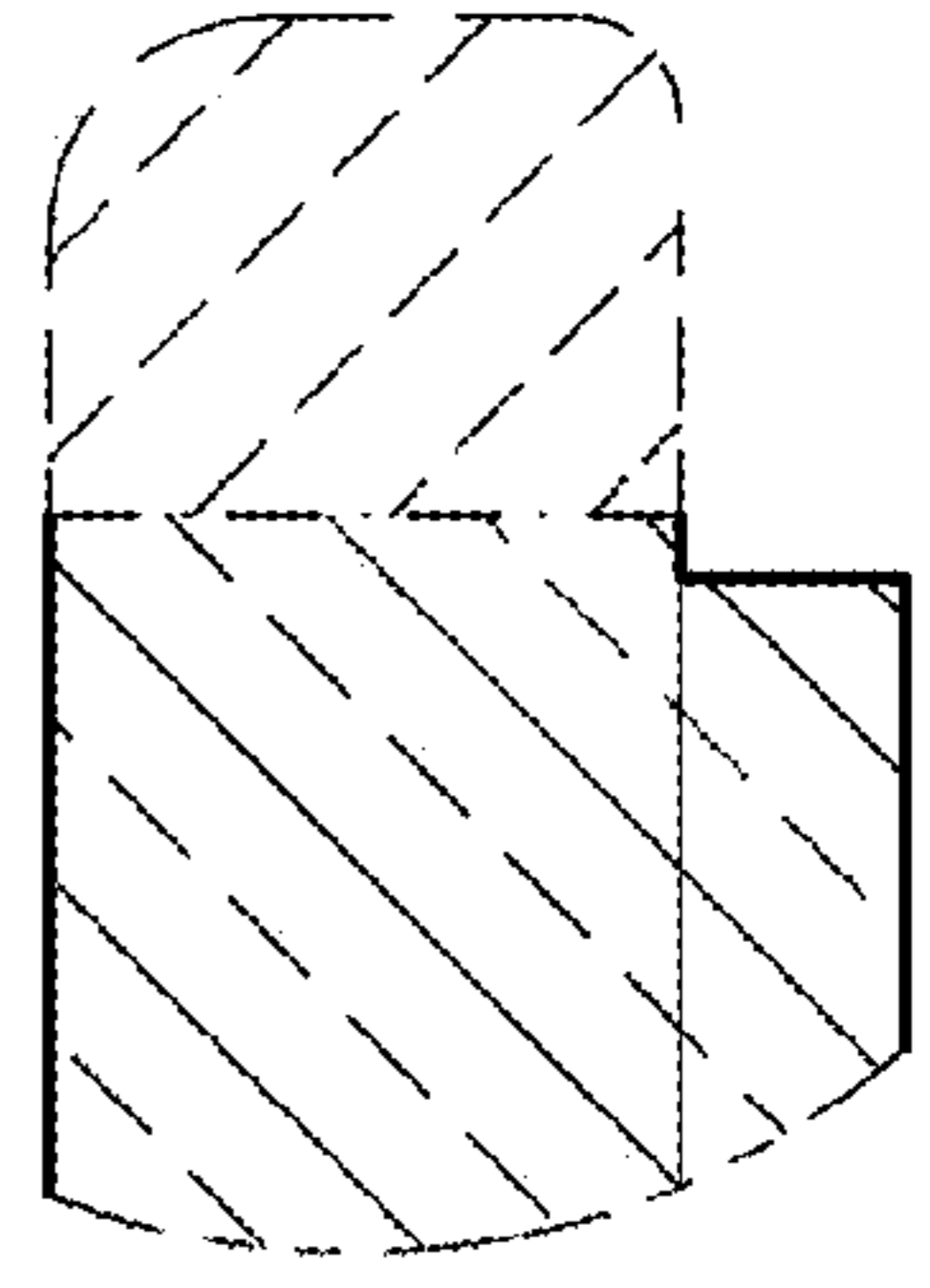


Fig. 9

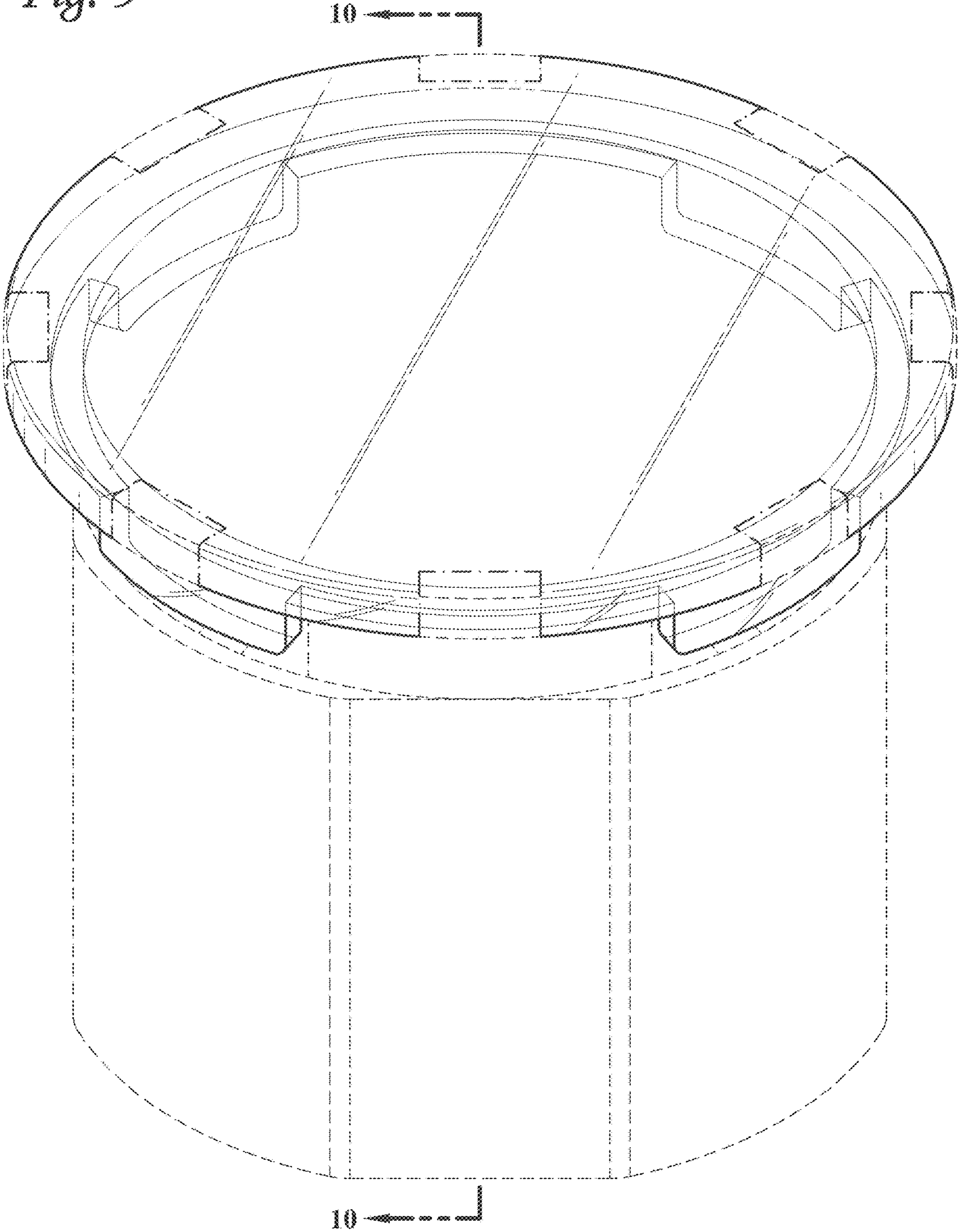


Fig. 10

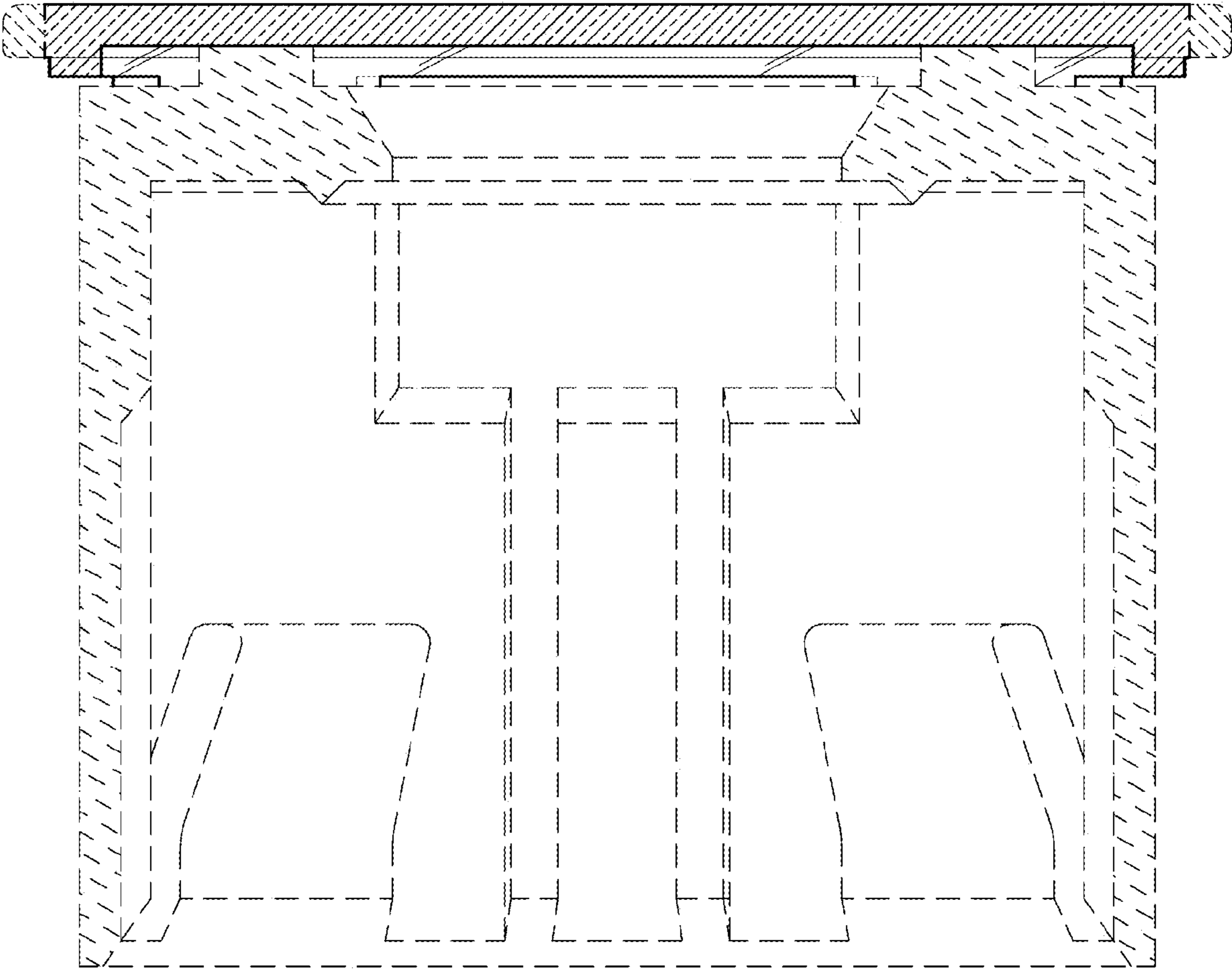


Fig. 11

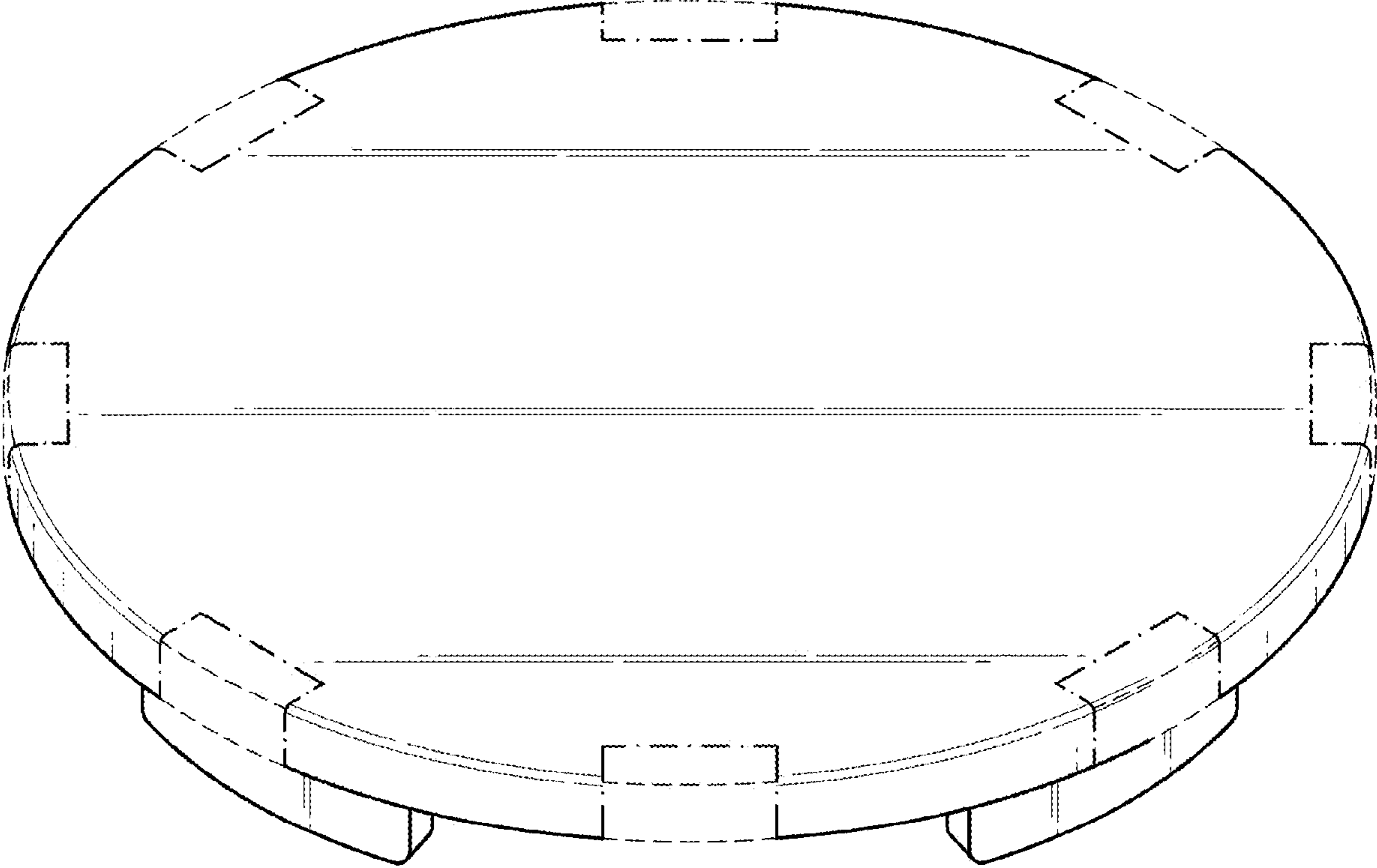


Fig. 12

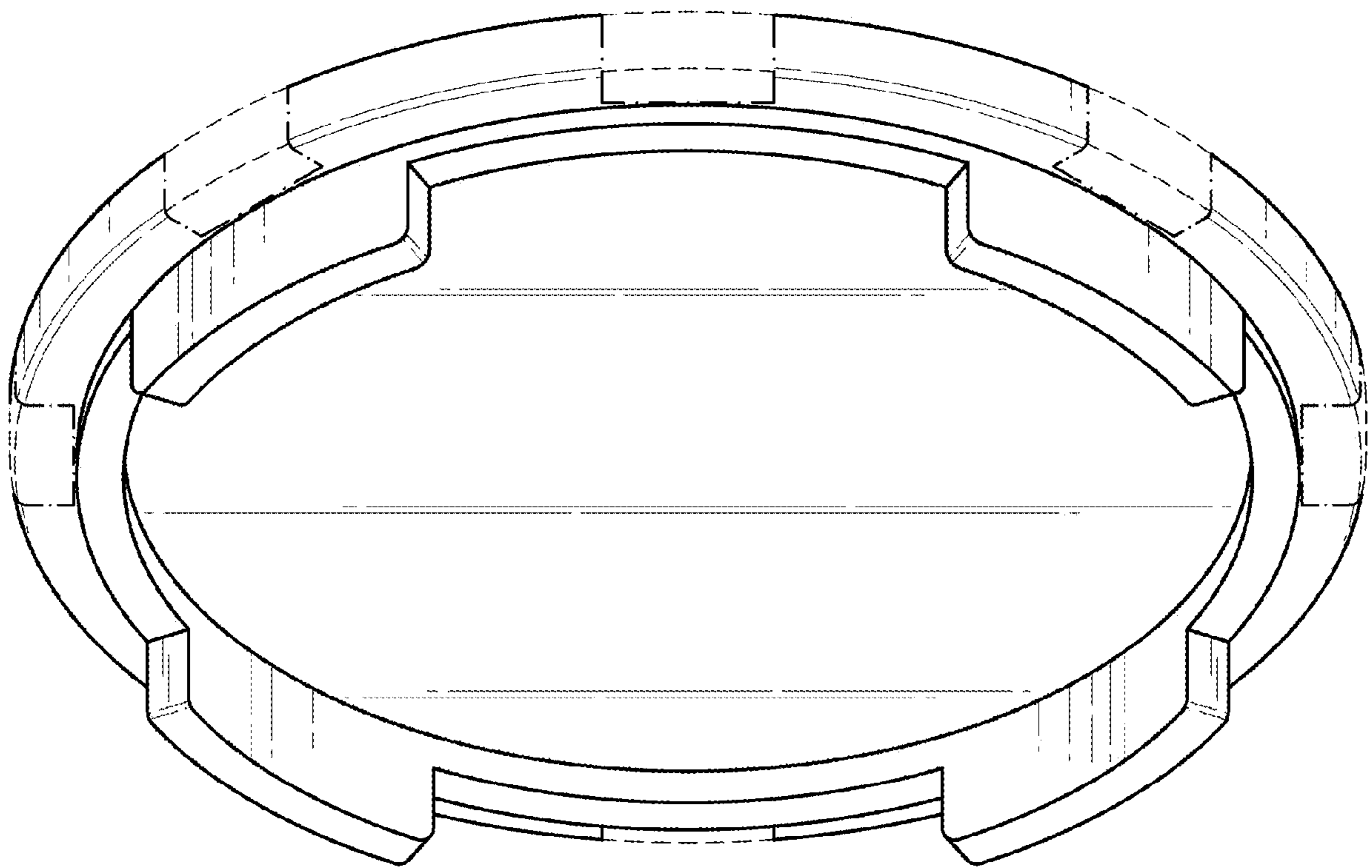


Fig. 13

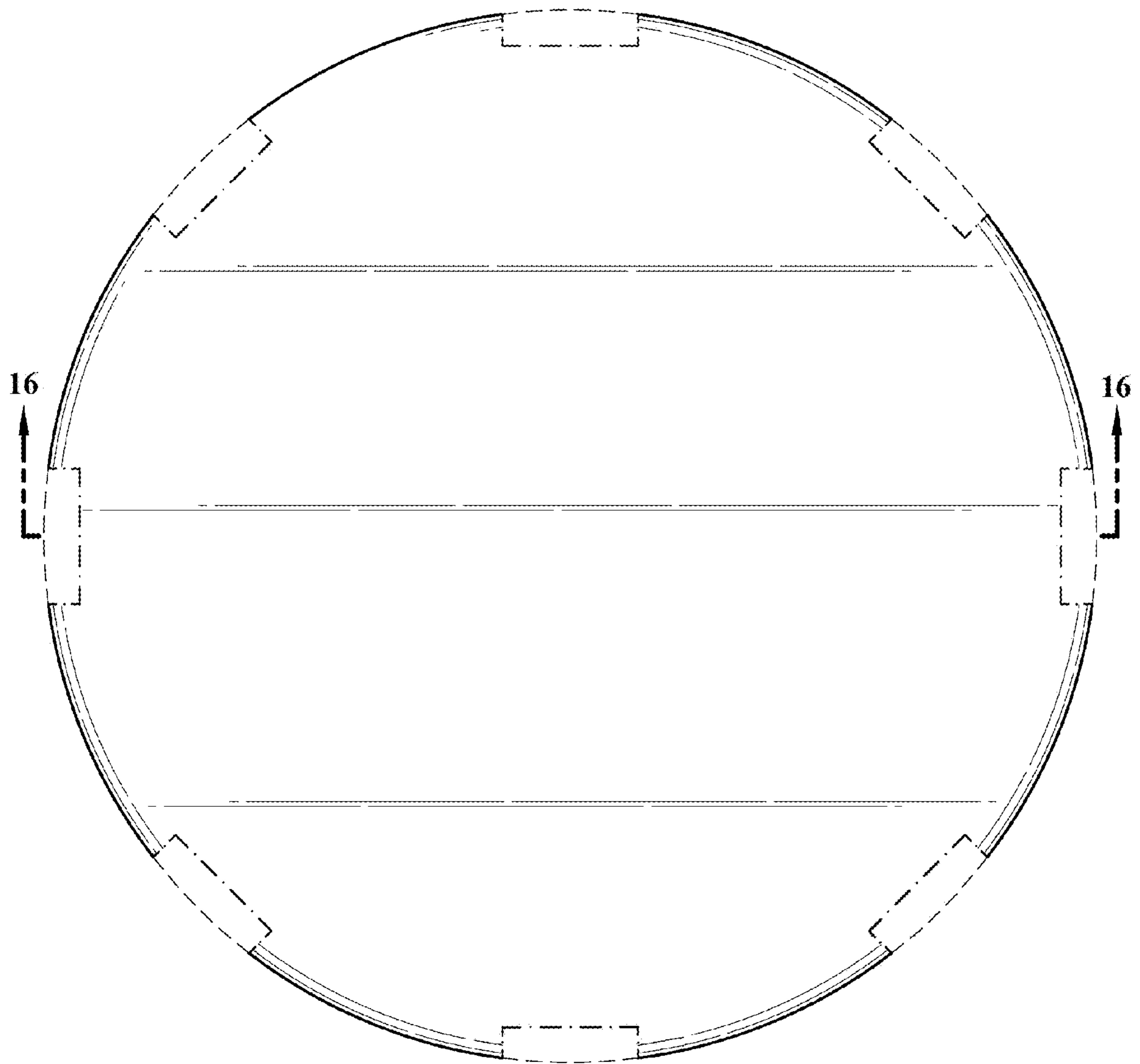


Fig. 14

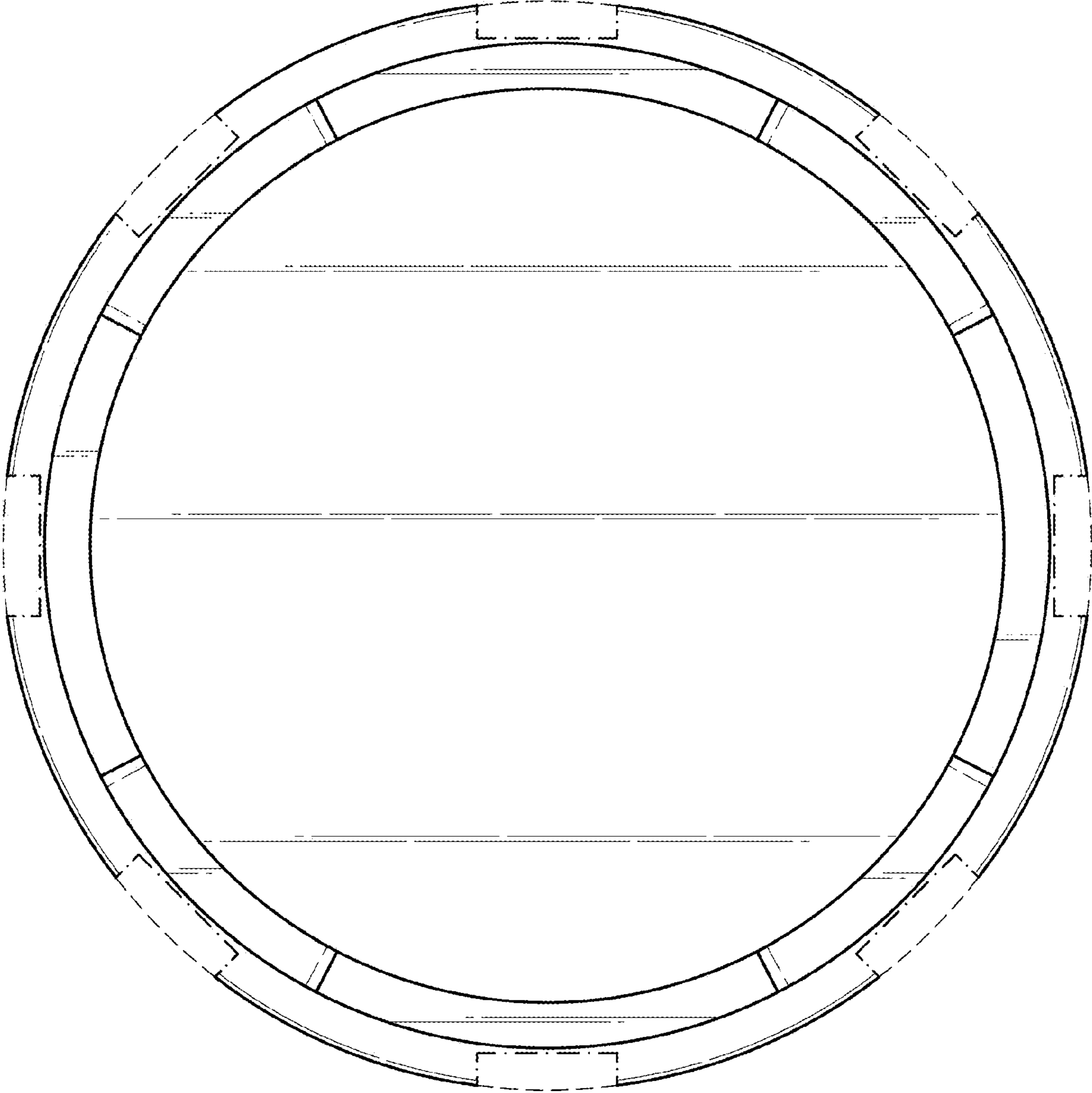


Fig. 15

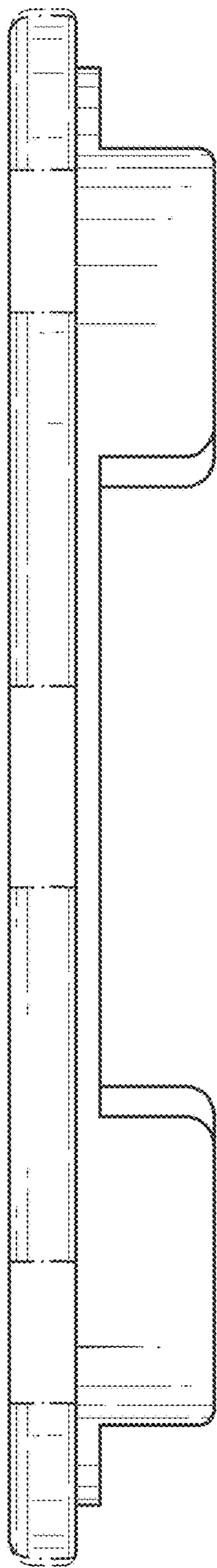


Fig. 16

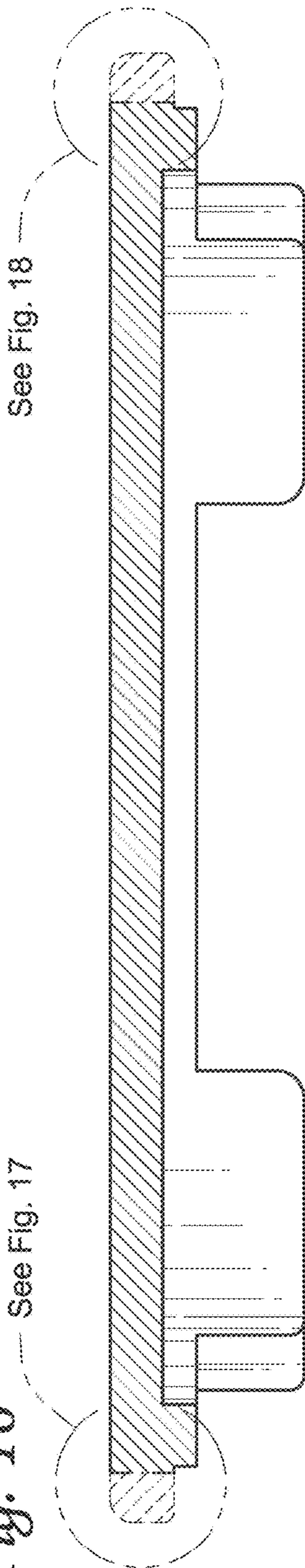


Fig. 17

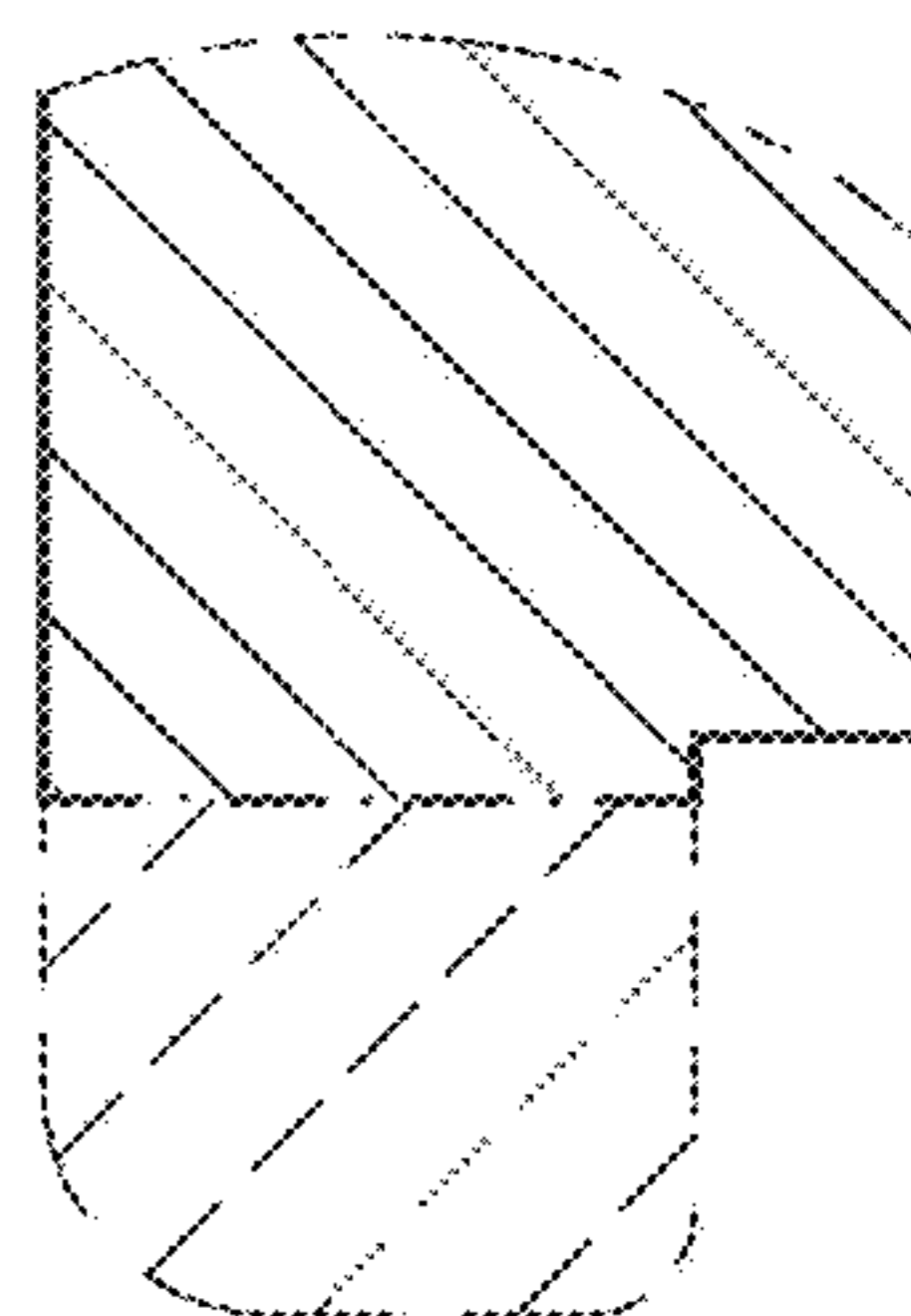


Fig. 18

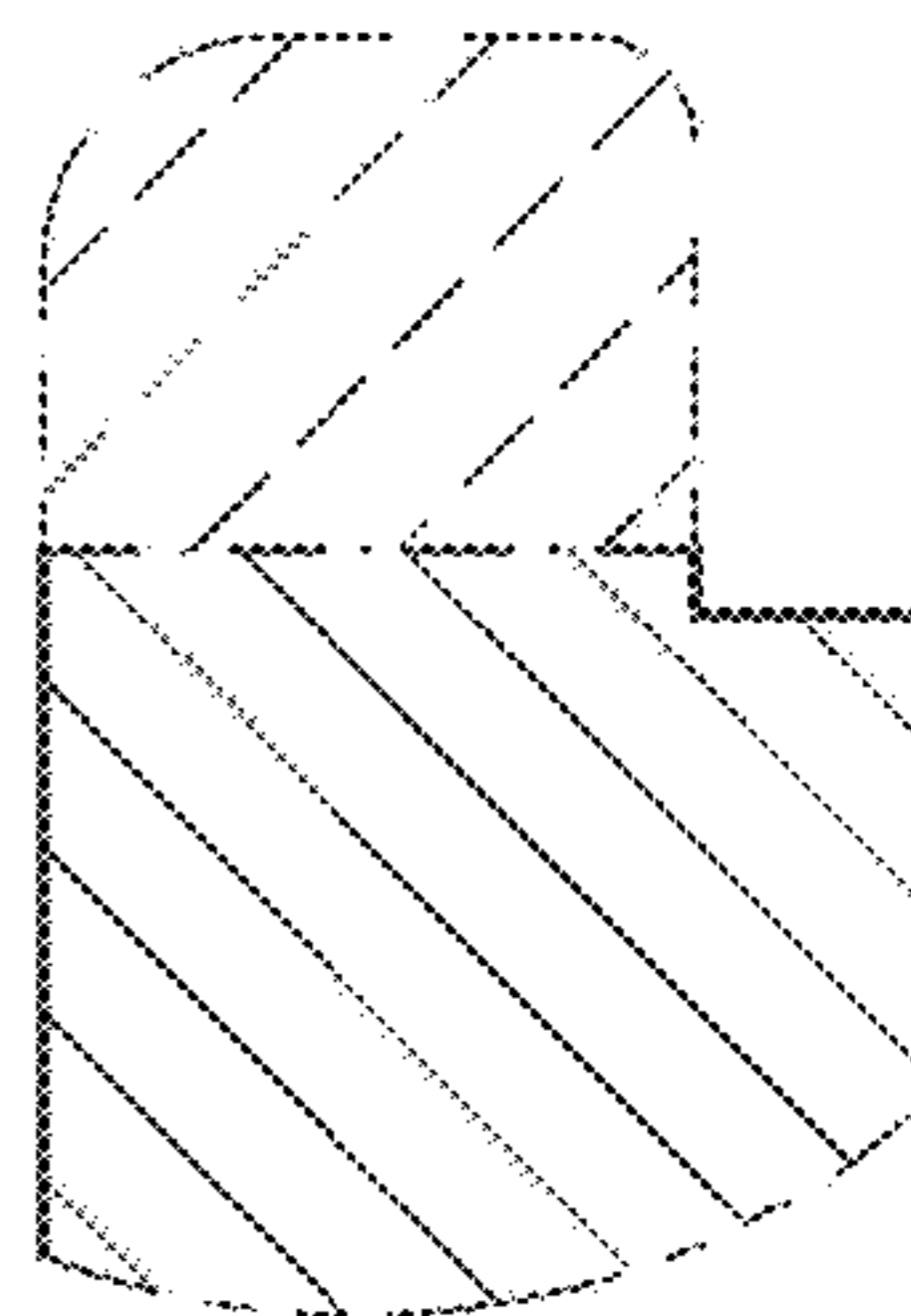


Fig. 19

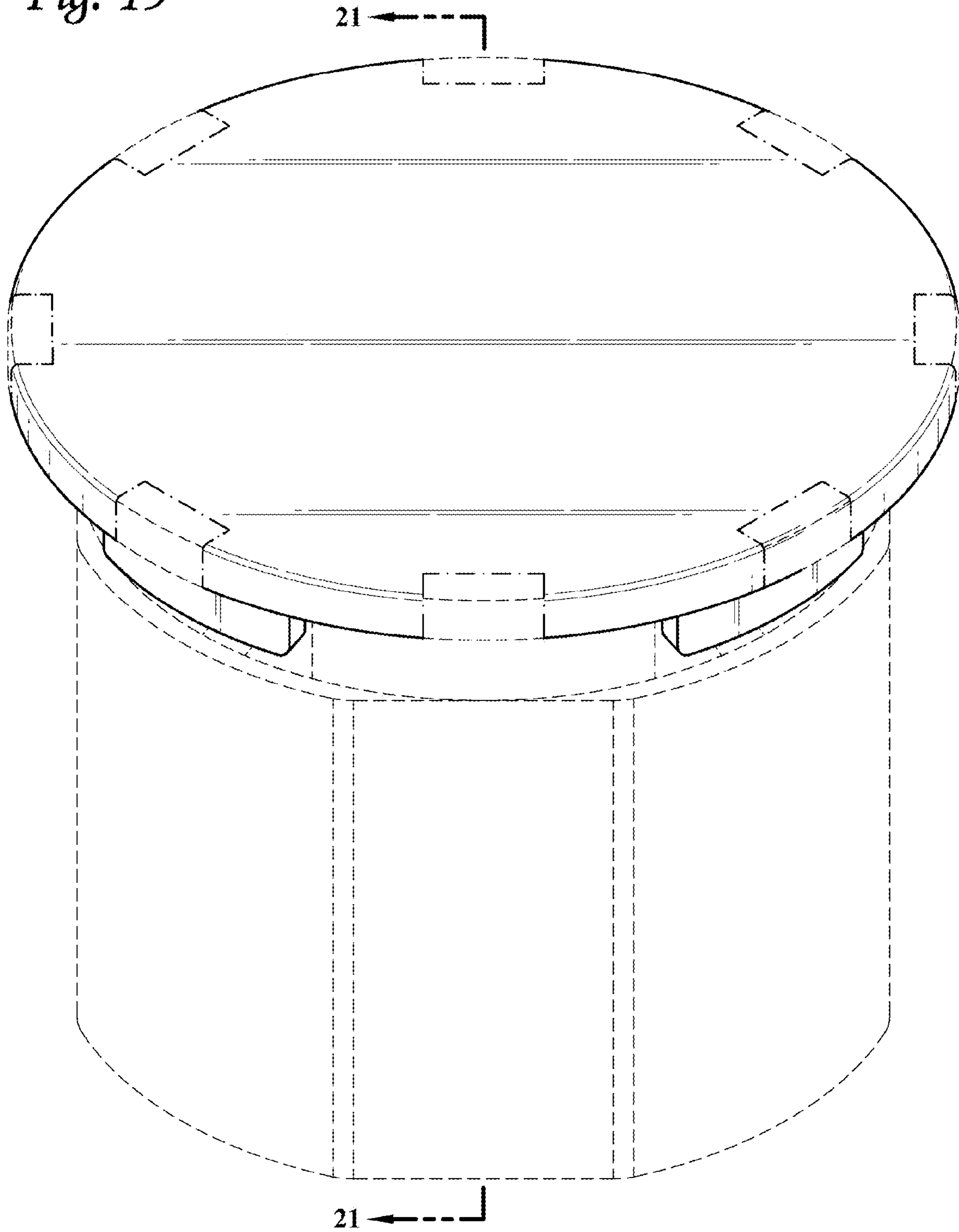


Fig. 20

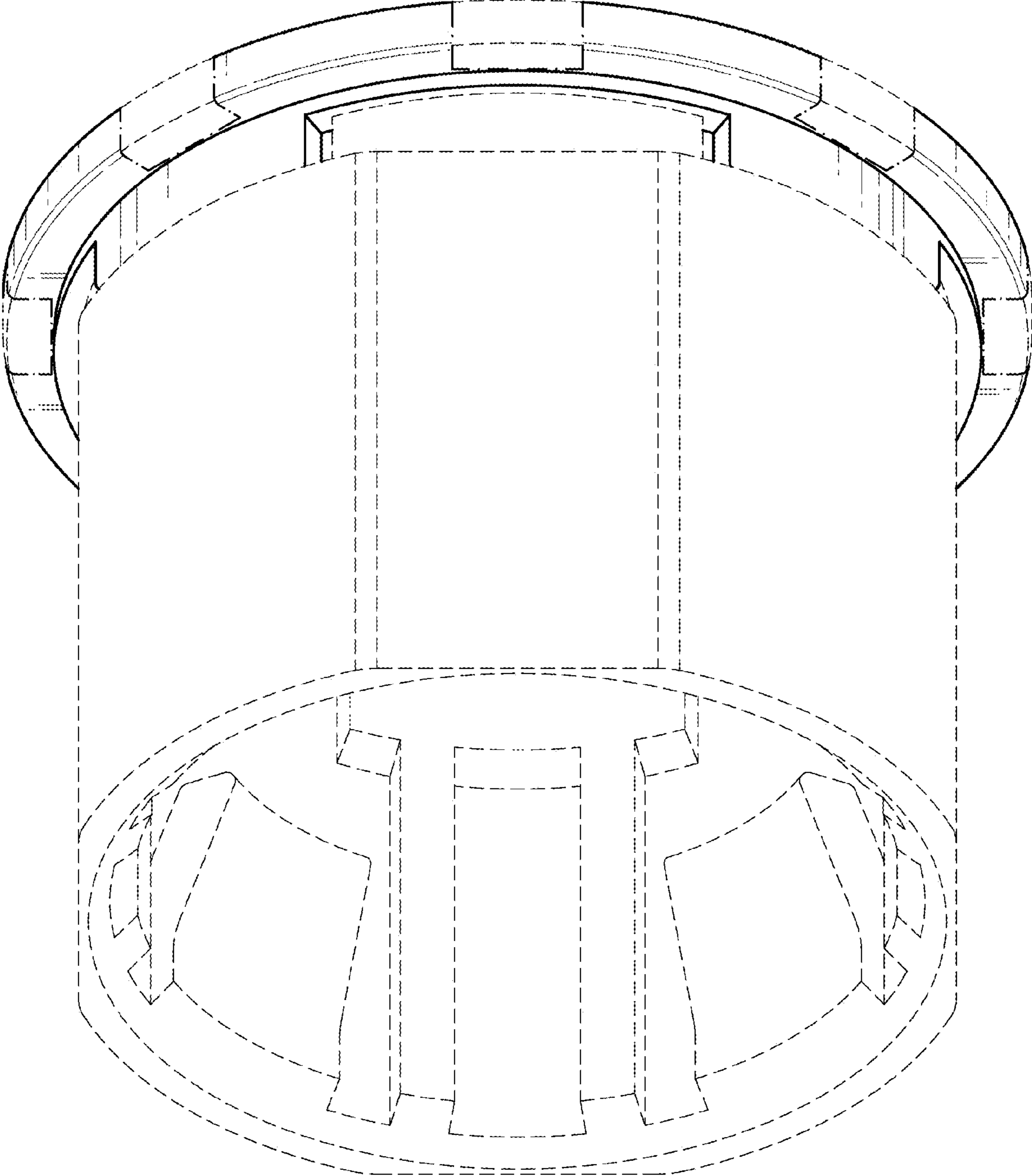


Fig. 21

