



US00D970340S

(12) **United States Design Patent** (10) **Patent No.:** **US D970,340 S**
Smith et al. (45) **Date of Patent:** **** Nov. 22, 2022**

(54) **LID FOR CONTAINER**
(71) Applicant: **All Plastic, Inc.**, Rancho Cordova, CA (US)
(72) Inventors: **William Thomas Smith**, Fair Oaks, CA (US); **Cheryl Ann Smith**, Fair Oaks, CA (US)
(73) Assignee: **ALL PLASTIC, INC.**, Rancho Cordova, CA (US)
(**) Term: **15 Years**
(21) Appl. No.: **29/781,948**
(22) Filed: **May 3, 2021**

4,106,660 A 8/1978 Boyle
D255,546 S 6/1980 Zaidmann et al.
D272,595 S * 2/1984 Chase D7/629
D292,887 S 11/1987 Schouten
D303,428 S 9/1989 Wada
D322,323 S 12/1991 Moir
D340,187 S 10/1993 Forsyth
6,013,524 A * 1/2000 Friars A01G 13/04
47/65.5
D455,552 S 4/2002 Charness
D476,572 S 7/2003 Merritt
D480,307 S 10/2003 Canamasas Puigbo
D493,721 S 8/2004 Puigbo
D493,722 S 8/2004 Cooper
D518,728 S 4/2006 Frantz
D523,752 S 6/2006 Bried
D621,603 S * 8/2010 Traylor D3/203.2
D647,530 S 10/2011 Busch
D655,604 S 3/2012 Molina et al.
D671,831 S 12/2012 Moreau
D696,948 S 1/2014 Kim
D702,547 S 4/2014 Akana
D703,055 S 4/2014 Park
D708,903 S * 7/2014 Wong D7/378
8,925,725 B1 1/2015 Burnett
D731,891 S 6/2015 Servaire
D765,389 S 9/2016 Martin
D769,079 S 10/2016 Kotani
D775,959 S 1/2017 Owen
D778,718 S * 2/2017 Smith D9/431
D794,944 S 8/2017 Martin
D806,543 S 1/2018 Finkbohner et al.
D812,939 S * 3/2018 Modlin D9/504
D814,831 S 4/2018 Modlin
9,981,790 B1 5/2018 Ost
D821,738 S 7/2018 Small
D830,779 S * 10/2018 Li D7/542
D842,494 S 3/2019 Lee
D855,449 S 8/2019 Smith et al.
10,384,834 B2 * 8/2019 Smith B65D 51/24
D859,894 S 9/2019 Smith
D861,475 S 10/2019 Giwani
D862,226 S 10/2019 Horn
D863,053 S 10/2019 Smith et al.
D866,334 S 11/2019 Wieland
D876,945 S 3/2020 Smith et al.
D877,930 S 3/2020 Santamarta
D878,120 S * 3/2020 Smith D6/682.1
D878,826 S 3/2020 Smith
D887,843 S * 6/2020 Smith D9/504
D891,253 S * 7/2020 Smith D9/504
D899,920 S * 10/2020 Smith D9/418
D902,028 S * 11/2020 Smith D9/504

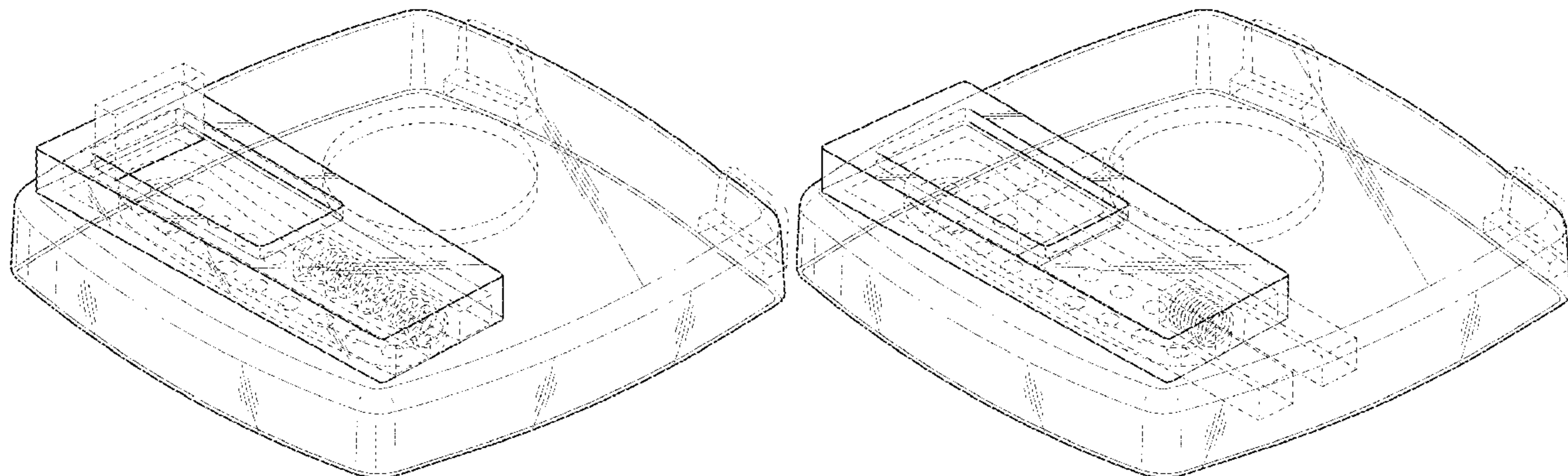
Related U.S. Application Data

(62) Division of application No. 29/669,641, filed on Nov. 9, 2018, now Pat. No. Des. 920,782.
(51) **LOC (13) Cl.** **09-07**
(52) **U.S. Cl.**
USPC **D9/436**
(58) **Field of Classification Search**
USPC D3/200, 201, 203.1, 203.2, 203.4;
D6/677; D7/300, 300.2, 387, 391, 392,
D7/302.1, 396.1, 396.2, 397, 398, 509,
D7/510, 511, 601, 619.1, 900; D9/686,
D9/690, 434, 439, 446, 447, 452, 454,
D9/414, 418, 422, 423, 424, 428, 431,
D9/436, 503, 504, 549, 721; D24/121,
D24/127, 193, 194, 196, 197, 199, 216,
D24/224; D27/100, 172, 175, 183, 186
CPC B65D 25/54; B65D 25/106; B65D 25/22;
B65D 39/0005; B65D 43/06; B65D
51/24; B65D 51/245; B65D 2201/00;
A47F 3/145; A45D 34/02
See application file for complete search history.

(56) **References Cited**

U.S. PATENT DOCUMENTS

D128,936 S 8/1941 Foley
D181,321 S 10/1957 Stowell



D902,718	S *	11/2020	Smith	D9/504
D904,185	S *	12/2020	Smith	D9/422
D904,883	S *	12/2020	Diaz	B65D 41/02
					D9/454
D908,484	S *	1/2021	Smith	D9/504
D909,872	S *	2/2021	Smith	D9/456
D914,412	S *	3/2021	Angeles	D6/677
D918,042	S *	5/2021	Smith	D9/504
D918,050	S *	5/2021	Smith	D9/414
11,001,413	B2 *	5/2021	Smith	A47F 3/145
D920,782	S *	6/2021	Smith	D9/436
D922,198	S *	6/2021	Smith	D9/422
D922,866	S *	6/2021	Kaye	D23/366
D922,870	S *	6/2021	Smith	D9/454
D923,475	S *	6/2021	Smith	D9/454
D926,036	S *	7/2021	Smith	D9/456
D930,471	S *	9/2021	Smith	D9/436
11,235,909	B2 *	2/2022	Smith	B65D 25/38
2005/0092751	A1	5/2005	Alvares et al.		
2016/0318672	A1	11/2016	Smith et al.		
2017/0275075	A1	9/2017	Bamonte et al.		
2018/0362215	A1	12/2018	Whetsel et al.		
2019/0009967	A1	1/2019	Lung		
2019/0152648	A1	5/2019	Parve et al.		
2020/0113353	A1	4/2020	Bigioni		
2020/0130901	A1	4/2020	Kern		
2020/0361661	A1 *	11/2020	Smith	B65D 25/38
2021/0219744	A1 *	7/2021	Smith	E05B 73/00

OTHER PUBLICATIONS

Pictures of Bud Bar Displays™ booth at the KushCon Convention, which features the Bud Pod. Denver, Colorado, Dec. 1, 2010. 3 pages (color).
 Website photo. Epod. www.budbardisplays.com. Published Jul. 1, 2013.
 Magazine AD for Bud Bar Displays™, 3rd Annual Marijuana Business Conference & Expo, Las Vegas, NV, Nov. 1, 2014. 3 pages.
 Magazine AD for Bud Bar Displays™, CANNA CON, Denver, Colorado, Jun. 1, 2015. 3 pages.
 Magazine AD showing Bud Bar Displays™. Dope Magazine, Issue #7, Dec. 1, 2015. 2 pages.
 Magazine AD for Bud Bar Displays™. MG-Magazine.com, Feb. 1, 2016. 2 pages.
 Magazine AD for Bud Bar Displays™, Marijuana Business Magazine, vol. 2, Issue 4, Jul. 1, 2015. 2 pages.
 Magazine AD for Bud Bar Displays™, Marijuana Venture Magazine, Jun. 1, 2017. 3 pages.
 Magazine AD for Bud Bar Displays™, Marijuana Venture Magazine, Nov. 1, 2017. 3 pages.
 Magazine AD for Bud Bar Displays™, Marijuana Venture Magazine, vol. 1, Issue 7, Sep. 1, 2014. 3 pages.
 Magazine AD for Bud Bar Displays™, The News Tribune, Aug. 15, 2014. 2 pages.
 Pictures of Bud Bar Displays™ booth at the KushCon Convention, which features the Epods. Denver, Colorado, Dec. 1, 2010. 3 pages.
 Website photo. cannabisaroma cannapod. www.budbardisplays.com. Published Jan. 23, 2016.
 Website photo. Bud-Pod. www.budbardisplays.com. Published Jan. 1, 2016.
 Website photo. BadBar. www.budbardisplays.com. Published Jan. 23, 2016.
 Website photo. Aroma epod. www.budbardisplays.com. Published Jan. 23, 2016.
 Website photo. Highlight display, www.budbardisplays.com. Published Jan. 23, 2016.
 Website photo. 3 Tier Lighted Display. www.budbardisplays.com. Published Jul. 9, 2017.
 Website photo. Bud bar cabinet. www.budbardisplays.com. Published Jul. 9, 2017.
 Website photo. Budtender1. www.budbardtsplays.com. Published Jul. 9, 2017.

Website photo. Canna pod. www.budbardisplays.com. Published Jul. 9, 2017.
 Website photo. Eco Pod Cabinet. www.budbardisplays.com. Published Jul. 9, 2017.
 Website photo. Bud Pod. www.budbarddisplays.com. Published Jul. 9, 2017.
 Website photo. e-Pod. wwwbudbardisplays.com. Published Jul. 9, 2017.
 Website photo. Sample pod package. www.budbardisplays.com. Published Jul. 9, 2017.
 Website photo. Security seals for pods. www.budbardisplays.com. Published Jul. 9, 2017.
 Website photo. Tether on Bud Pod3. www/budbardisplays.com. Published Jul. 9, 2017.
 Bud Pod and Bud pod security tether close up. Publication on Facebook Oct. 21, 2016. <https://www.facebook.com/BudBarDisplays/photos/a.1250515684990657/1250523611656531/?type=3&theater>.
 Budtender Demo-Bud Bar Displays. Publication on youtube dated May 7, 2017—<https://www.youtube.com/watch?v=JRd6B1ZXZlk>.
 Facebook post showing sample containers, Oct. 26, 2016. <https://www.facebook.com/BudBarDisplay/photos/a.1250515684990657/1251439121564980/?type=3&theater>.

* cited by examiner

Primary Examiner — Catherine S Posthauer
 (74) Attorney, Agent, or Firm — Ballard Spahr LLP

(57) CLAIM

We claim the ornamental design for a lid for container, as shown and described.

DESCRIPTION

FIG. 1 is a perspective view of our design of a lid for container, showing our design in a first configuration;
 FIG. 2 is a front view of the lid for container in the first configuration shown in FIG. 1;
 FIG. 3 is a left side view of the lid for container in the first configuration shown in FIG. 1;
 FIG. 4 is a rear view of the lid for container in the first configuration shown in FIG. 1;
 FIG. 5 is a right side view of the lid for container in the first configuration shown in FIG. 1;
 FIG. 6 is a top plan view of the lid for container in the first configuration shown in FIG. 1;
 FIG. 7 is a bottom plan view of the lid for container in the first configuration shown in FIG. 1;
 FIG. 8 is a further perspective view of the lid for container in the first configuration shown in FIG. 1, shown with an exemplary container;
 FIG. 9 is a perspective view of our design of the lid for container of FIG. 1, shown in a second configuration;
 FIG. 10 is a front view of the lid for container in the second configuration shown in FIG. 9;
 FIG. 11 is a left side view of the lid for container in the second configuration shown in FIG. 9;
 FIG. 12 is a rear view of the lid for container in the second configuration shown in FIG. 9;
 FIG. 13 is a right side view of the lid for container in the second configuration shown in FIG. 9;
 FIG. 14 is a top plan view of the lid for container in the second configuration shown in FIG. 9;
 FIG. 15 is a bottom plan view of the lid for container in the second configuration shown in FIG. 9; and,

FIG. **16** is a further perspective view of the lid for container in the second configuration shown in FIG. **9**, shown with an exemplary container.

The broken lines are shown for illustrating both parts of the article as well as environmental subject matter of an exemplary container. None of the broken lines form part of the claimed design.

1 Claim, 12 Drawing Sheets

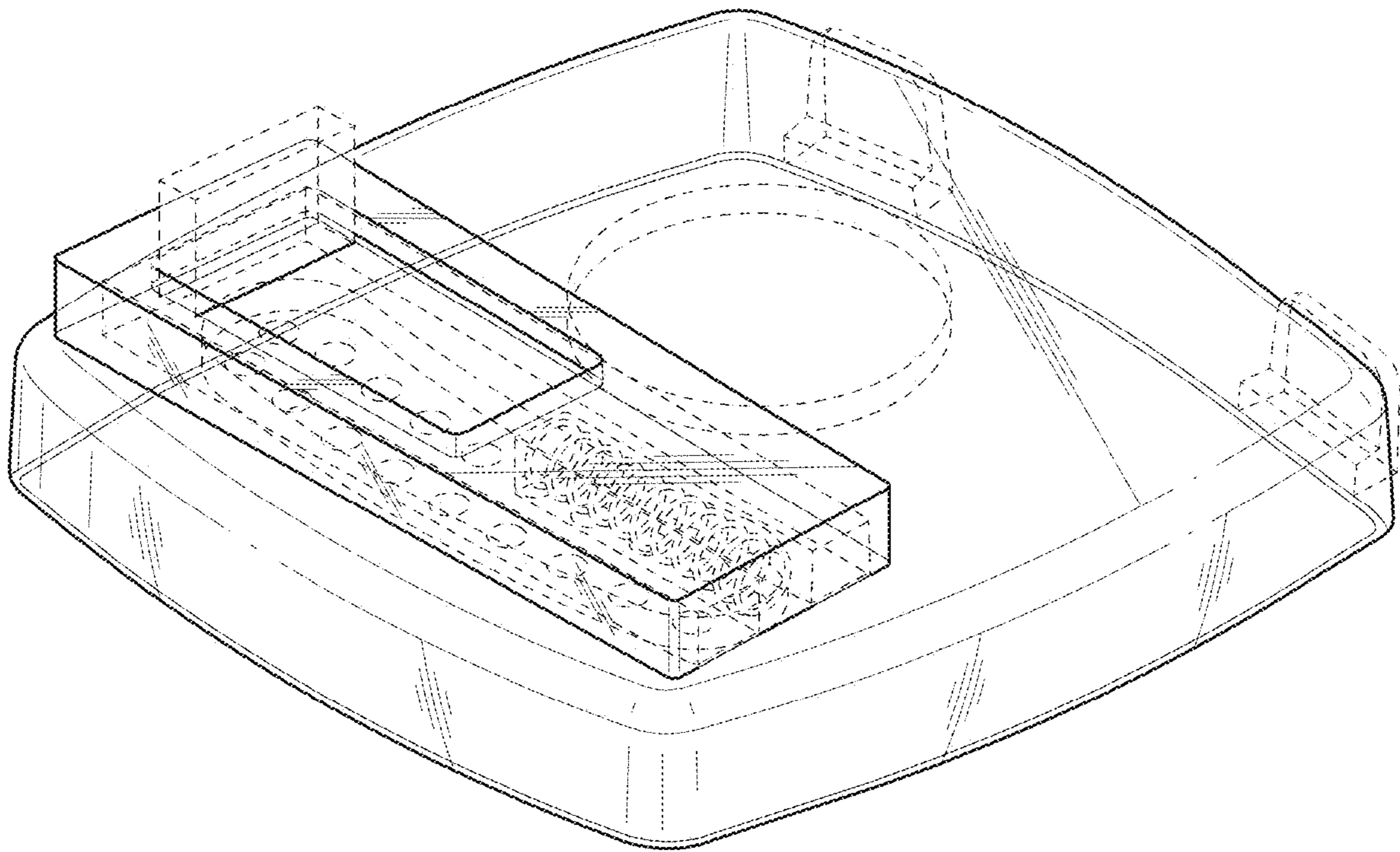


FIG.1

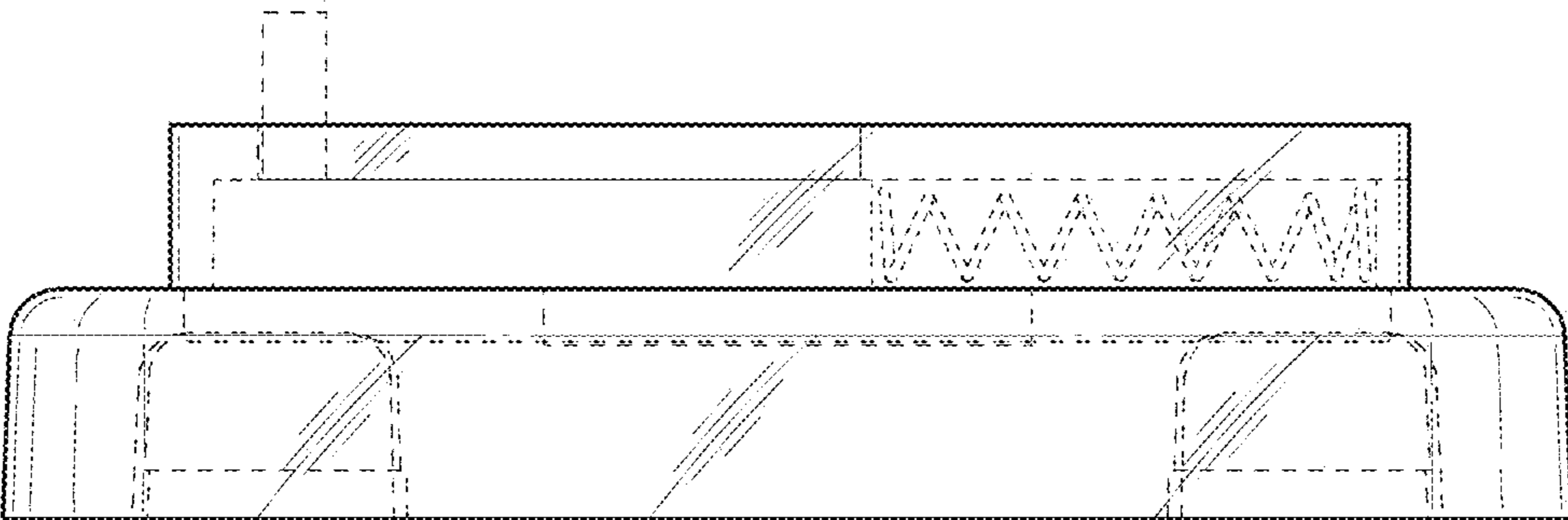


FIG. 2

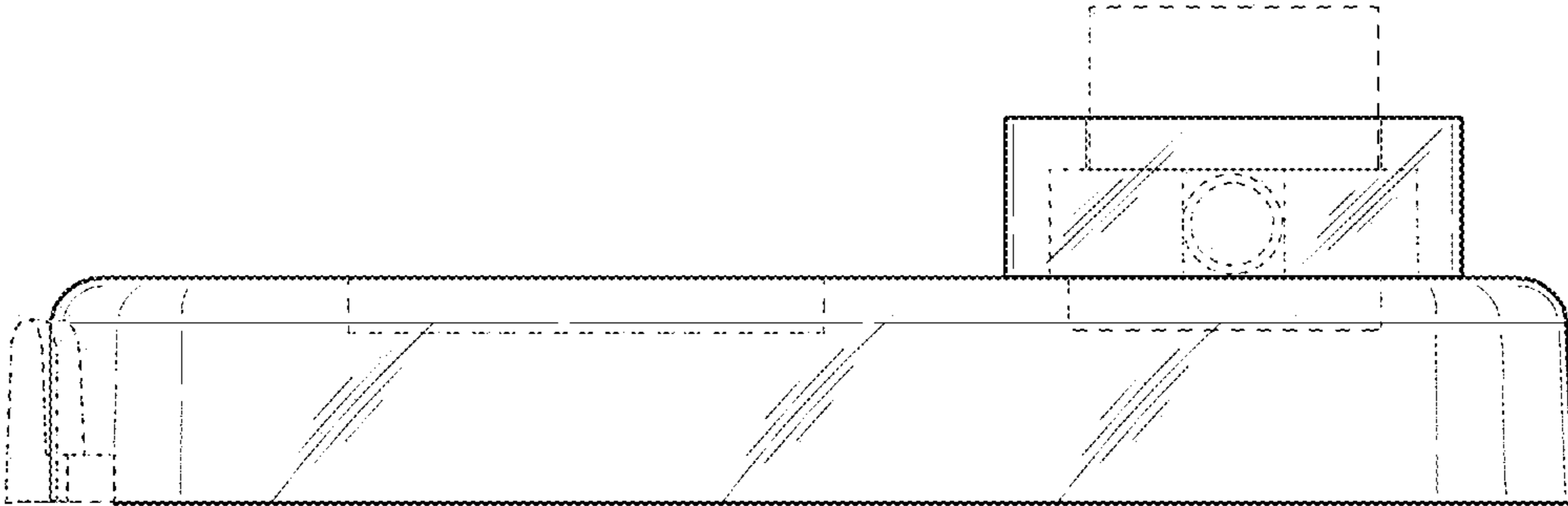


FIG. 3

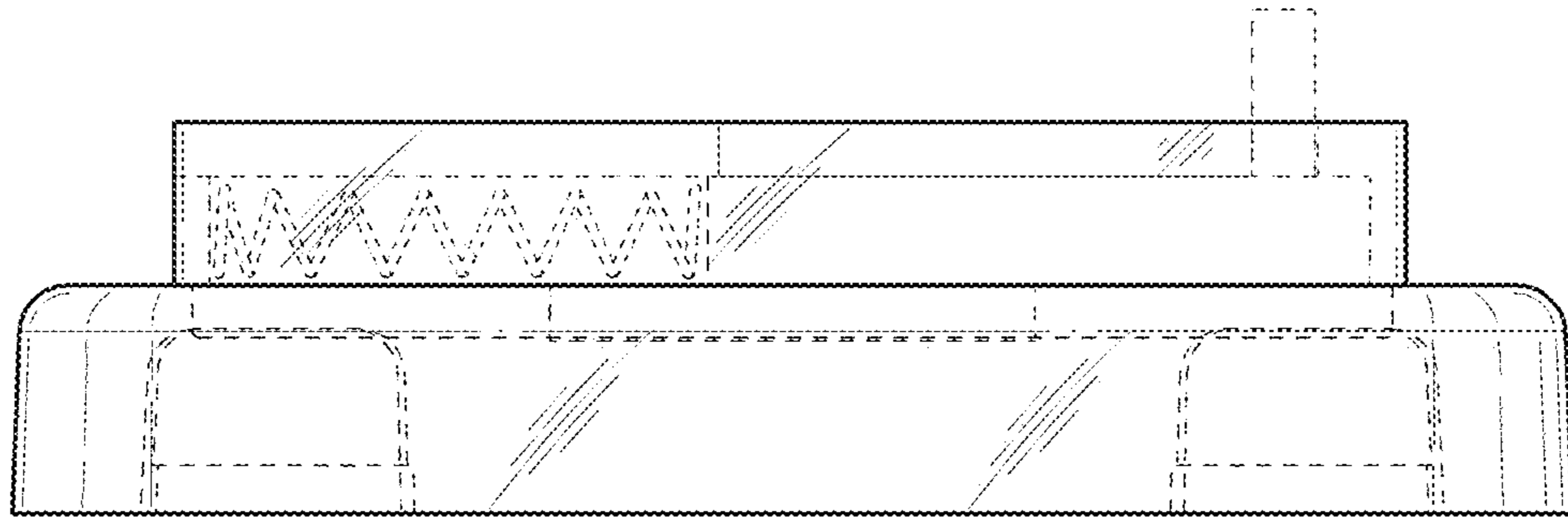


FIG. 4

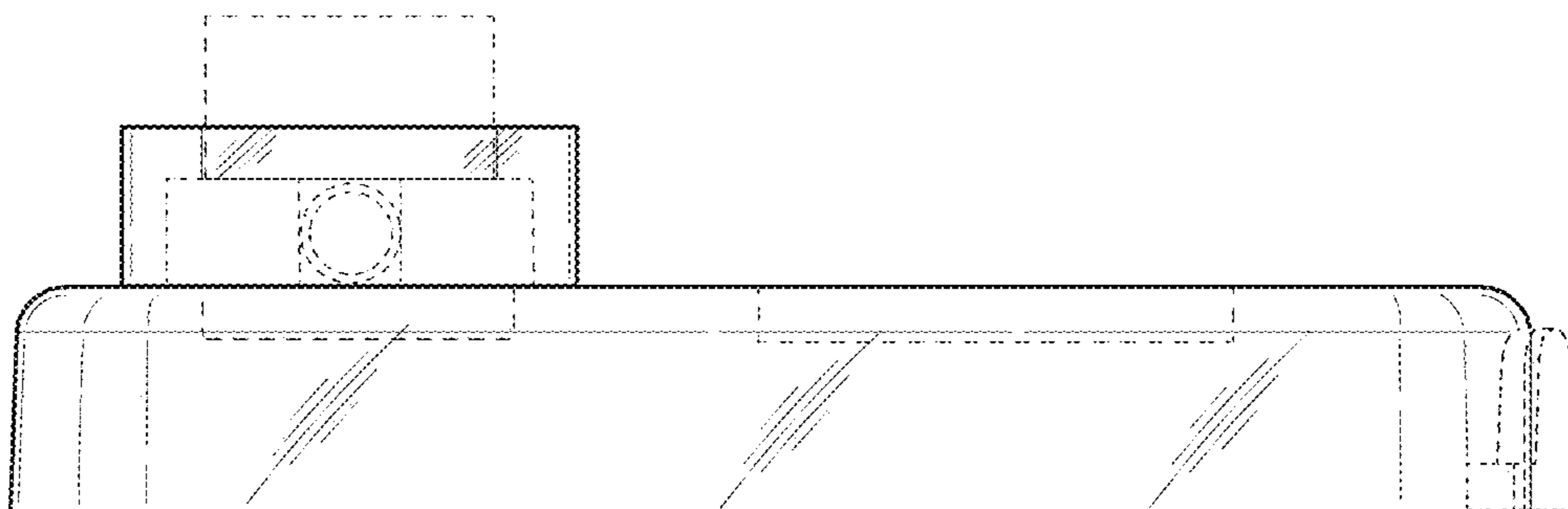


FIG. 5

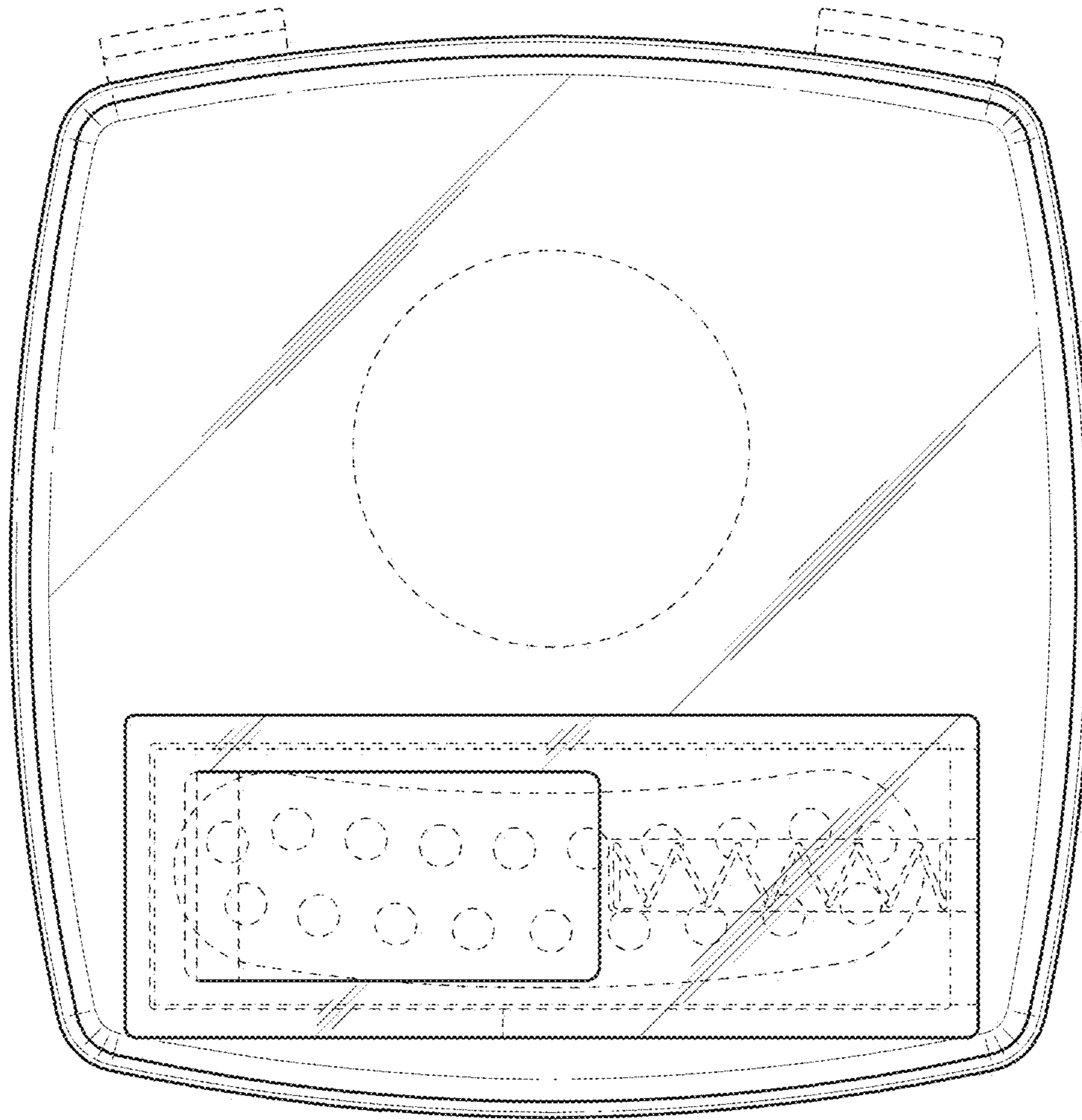


FIG.6

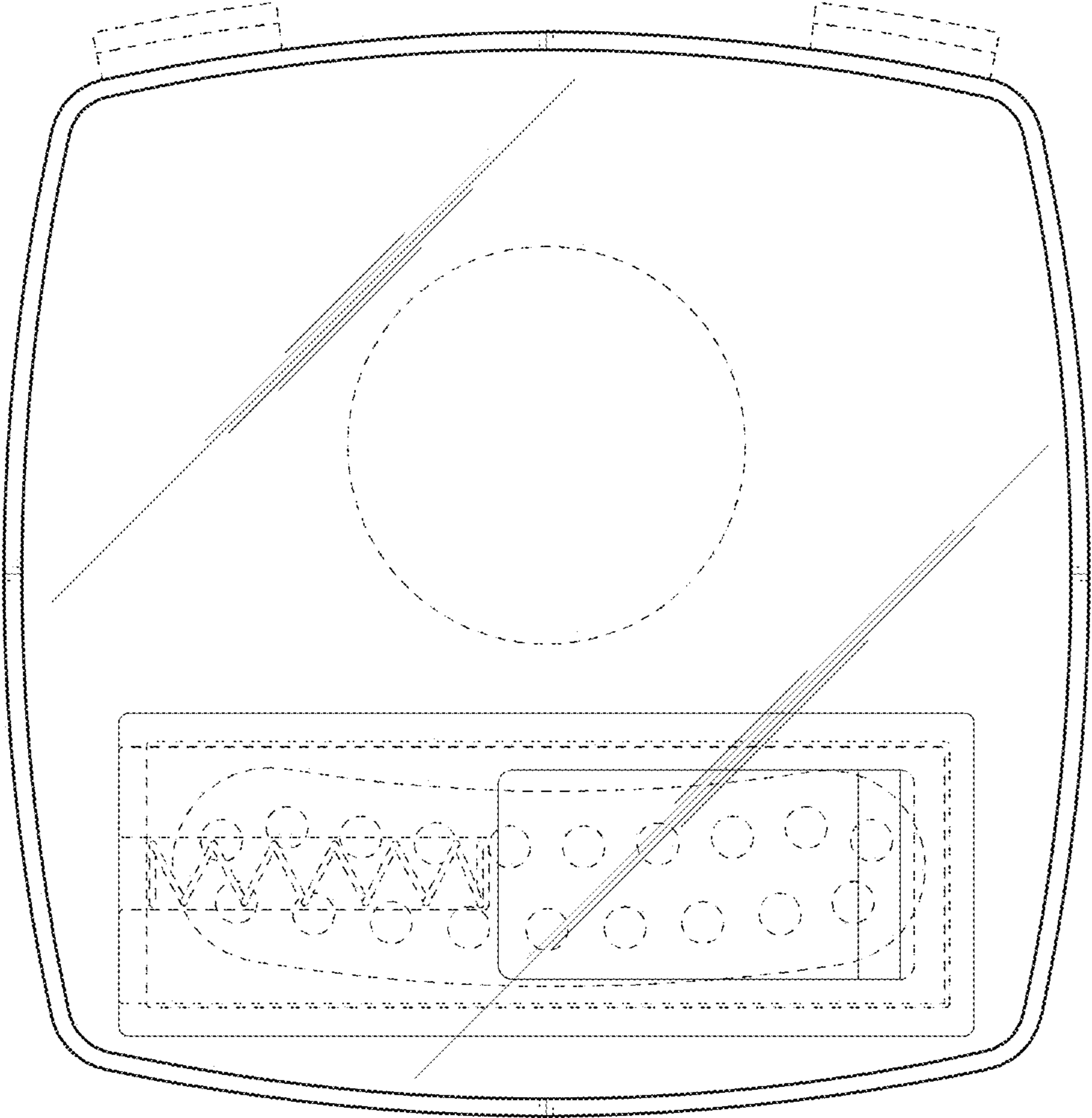


FIG.7

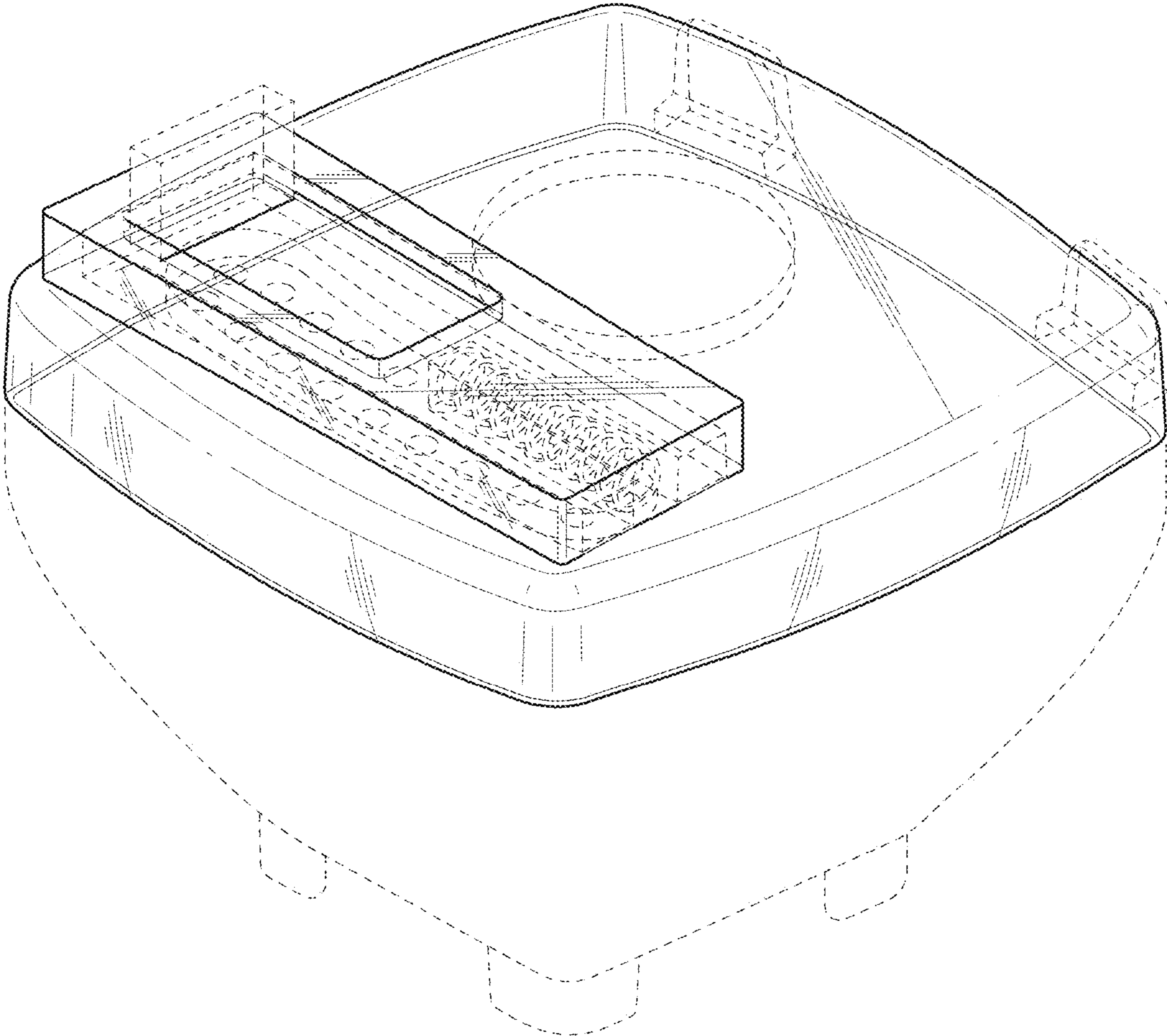


FIG.8

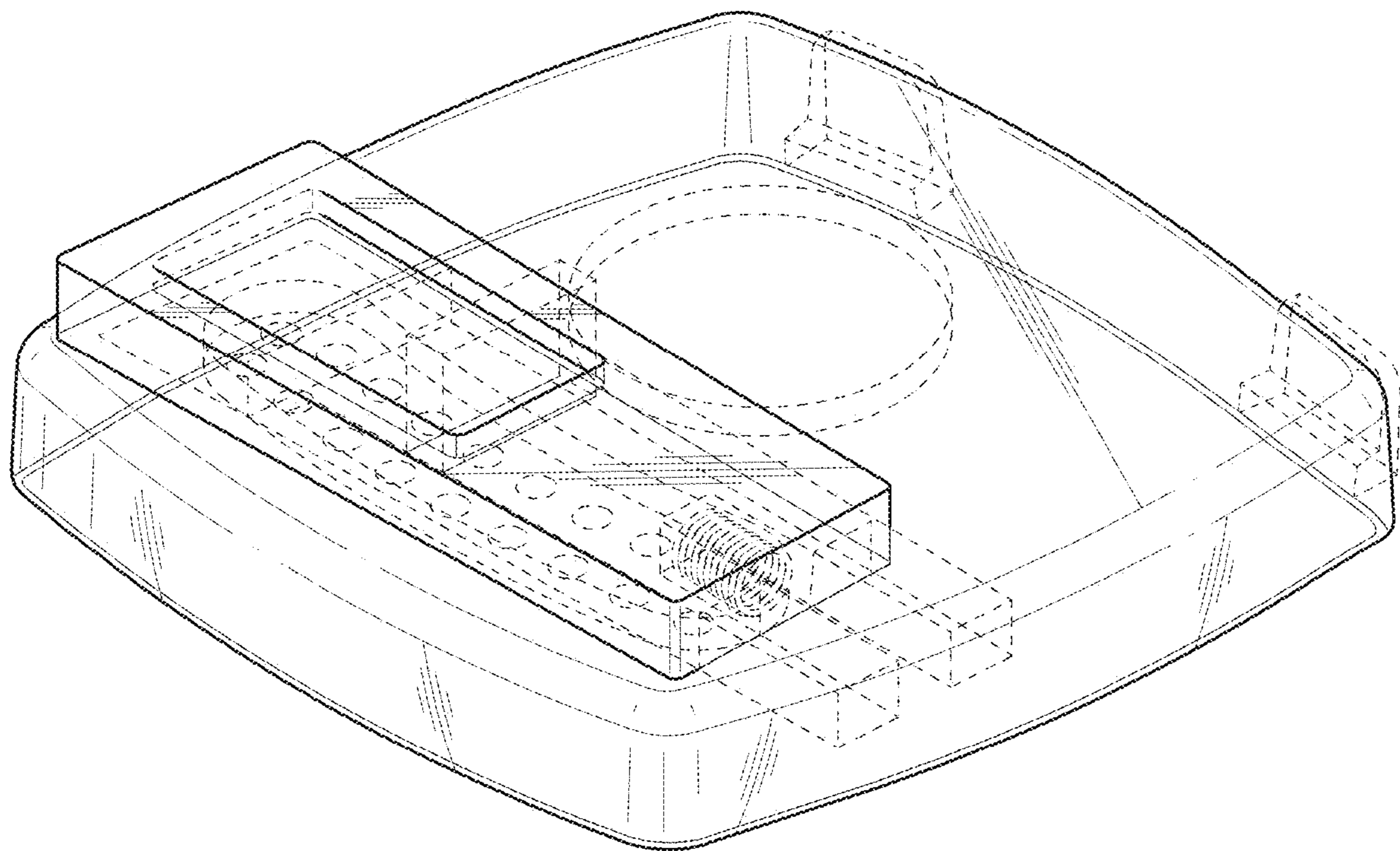


FIG.9

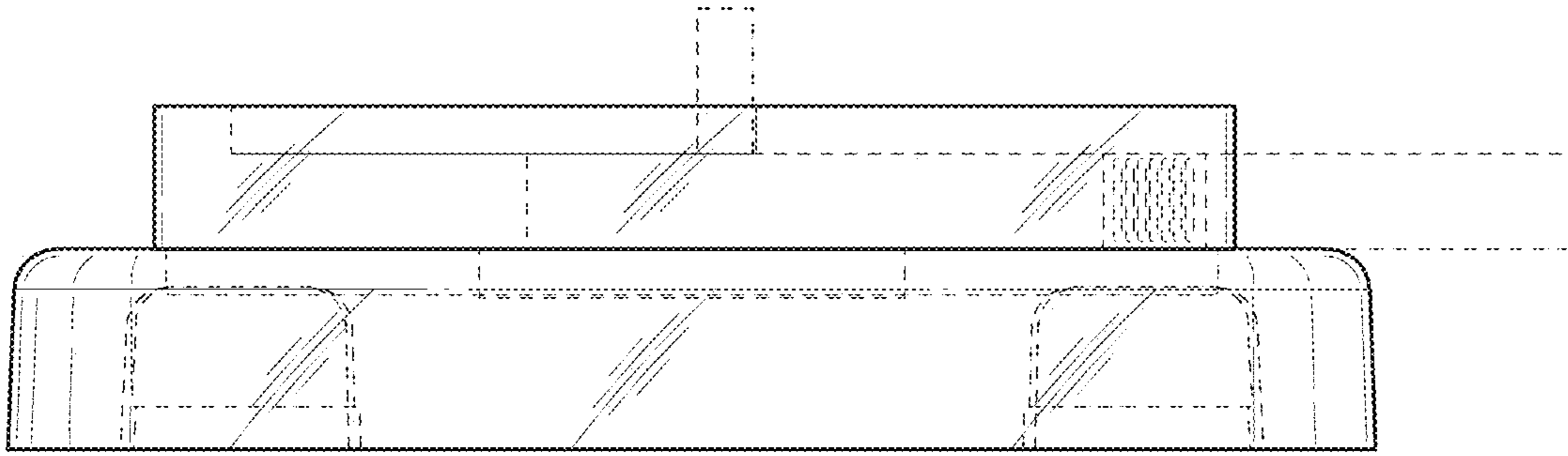


FIG.10

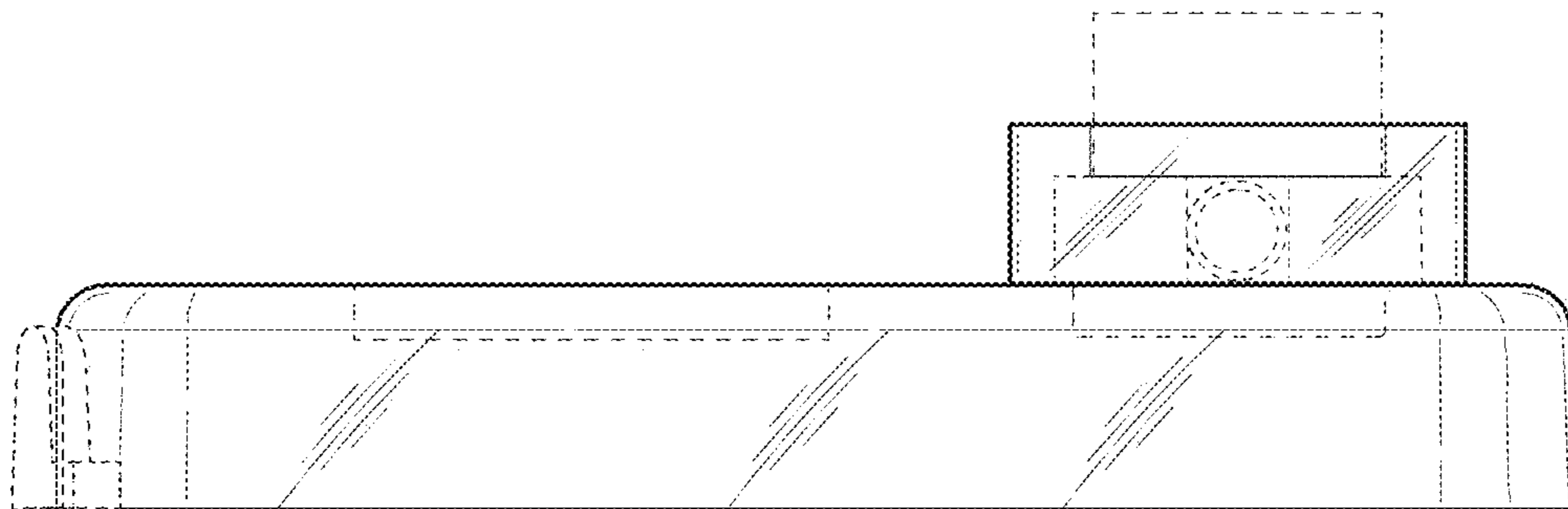


FIG.11

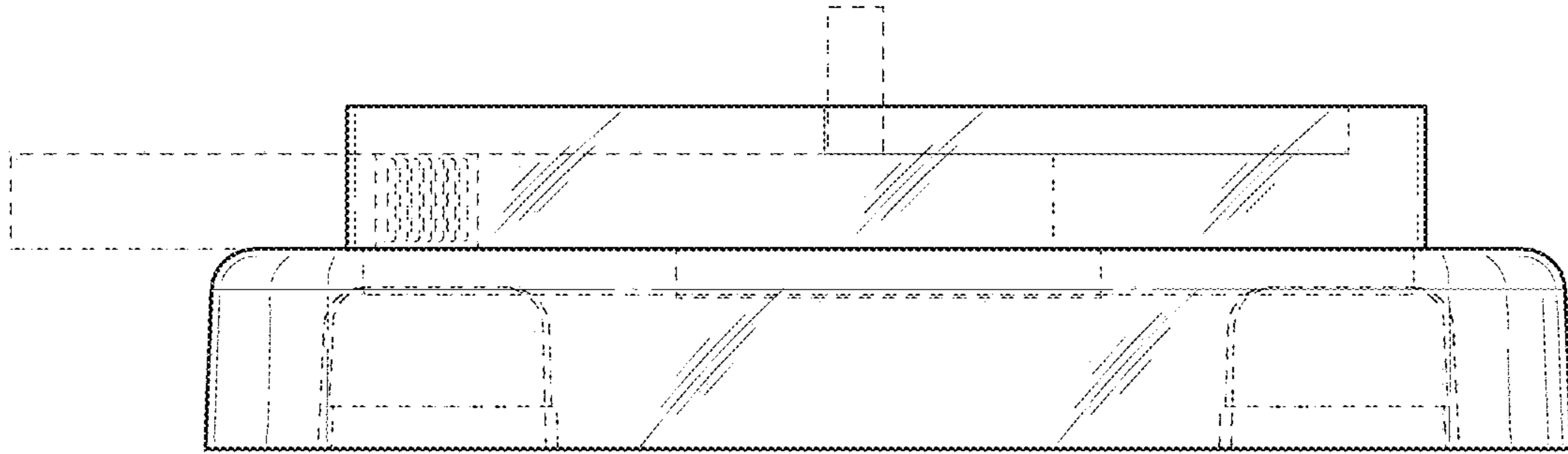


FIG.12

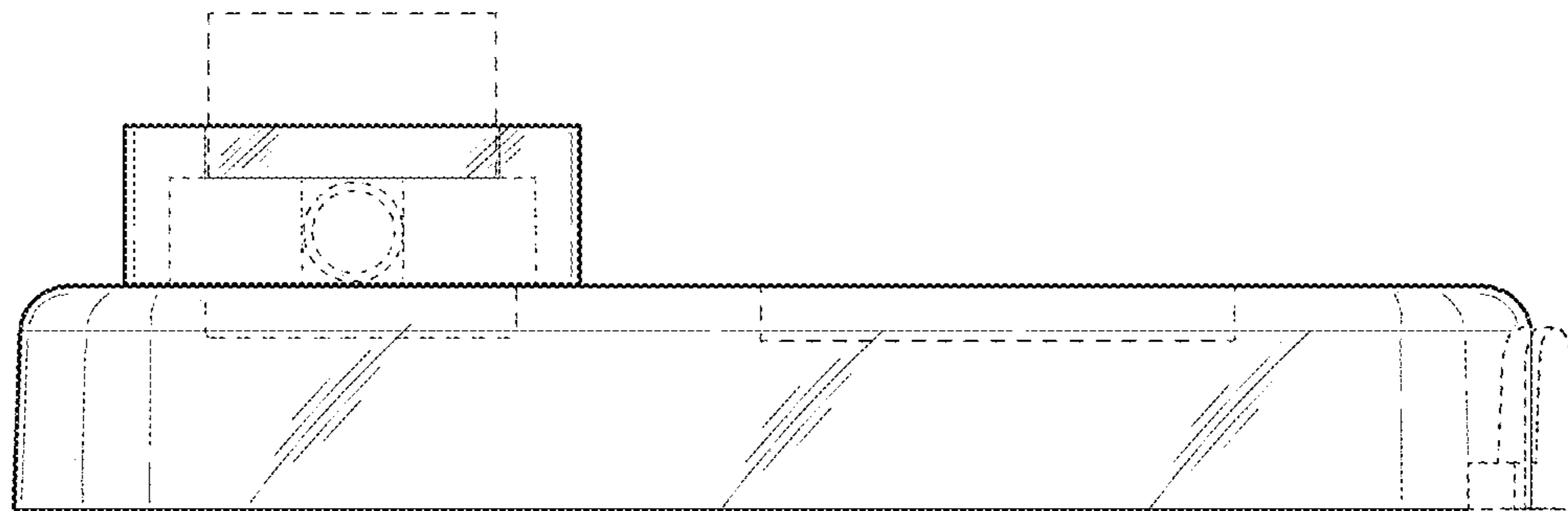


FIG.13

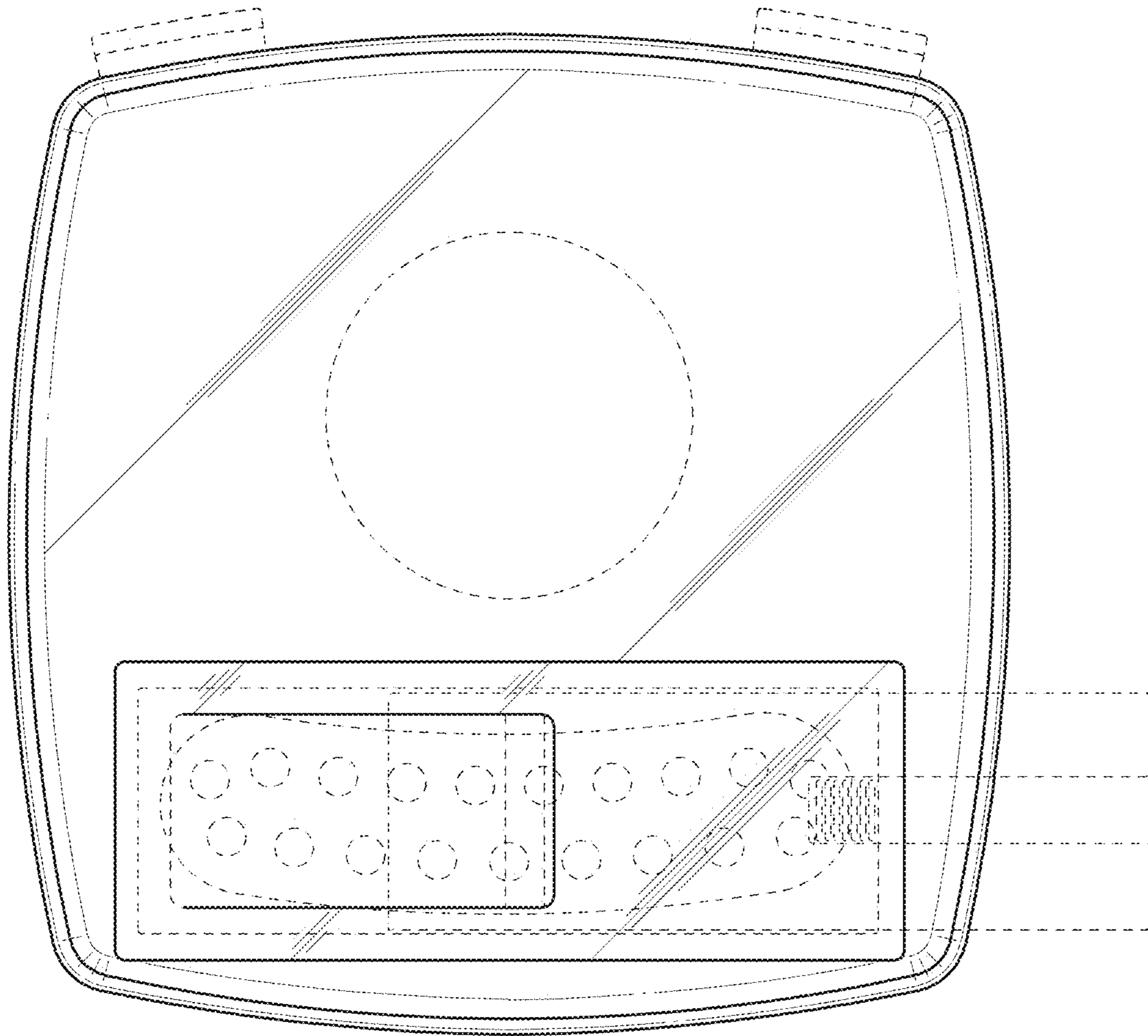


FIG.14

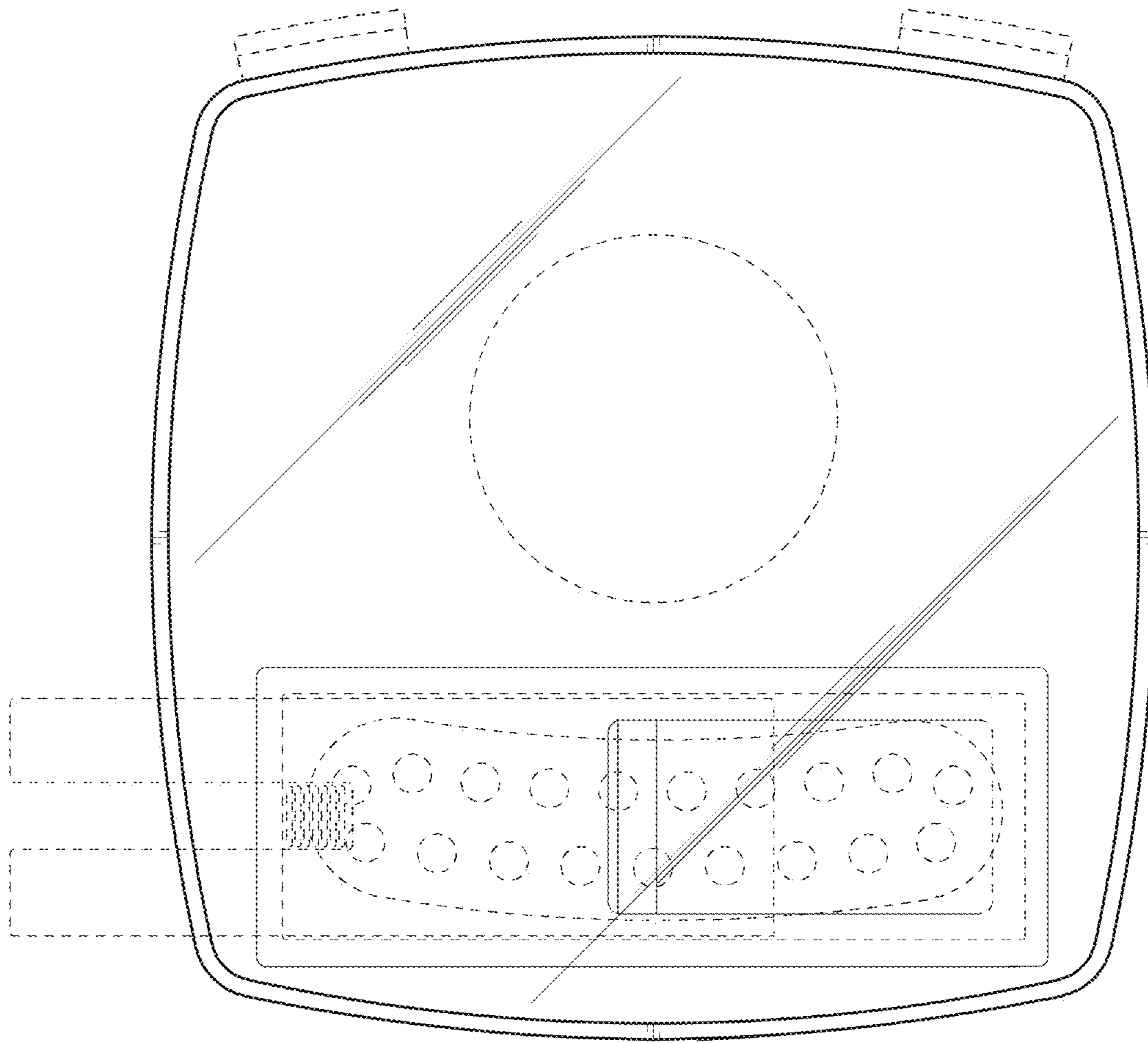


FIG.15

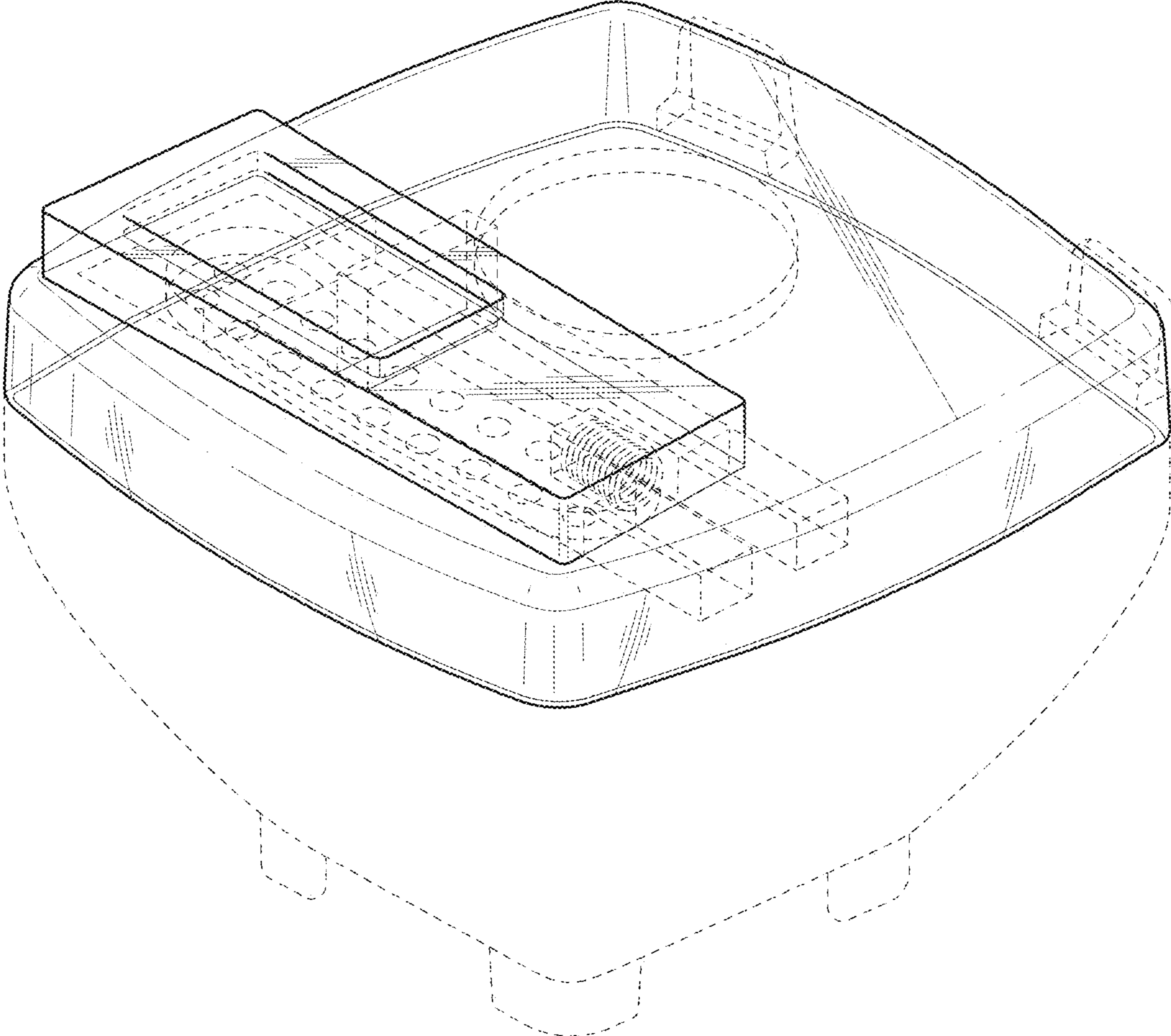


FIG.16