



US00D970338S

(12) **United States Design Patent** (10) **Patent No.:** **US D970,338 S**
Angeloni et al. (45) **Date of Patent:** **** Nov. 22, 2022**

- (54) **CLAMSHELL PACKAGING CONTAINER**
- (71) Applicant: **WM. WRIGLEY JR. COMPANY**,
Chicago, IL (US)
- (72) Inventors: **Paul J. Angeloni**, Chicago, IL (US);
Ross Bartels, Chicago, IL (US);
William Tham, Palatine, IL (US); **John Hall**,
Chicago, IL (US); **Christopher H. Cunningham**,
Grays Lake, IL (US); **H. Stephen Quinn**, Eau Claire,
WI (US)
- (73) Assignee: **WM. WRIGLEY JR. COMPANY**,
Chicago, IL (US)
- (**) Term: **15 Years**
- (21) Appl. No.: **29/764,475**
- (22) Filed: **Dec. 30, 2020**
- (51) **LOC (13) Cl.** **09-03**
- (52) **U.S. Cl.**
USPC **D9/420**
- (58) **Field of Classification Search**
USPC D9/420, 423, 414-419, 431-432, 421,
D9/299; D14/440, 223; D24/129, 110.6;
D6/512; D7/629; D27/189; D28/38
CPC B65D 47/0861; B65D 85/1056
See application file for complete search history.

- 8,672,196 B2 * 3/2014 Pourian B65D 47/0861
220/350
- D729,056 S * 5/2015 She D9/420
- D729,057 S * 5/2015 She D9/420
- D748,467 S * 2/2016 Angeloni D9/423
- D753,960 S * 4/2016 Hart D7/629
- D756,768 S * 5/2016 Cunningham D9/421
- D762,466 S * 8/2016 Angeloni D9/420
- D808,791 S * 1/2018 Johnston D9/420
- D808,793 S * 1/2018 Angeloni D9/420

(Continued)

OTHER PUBLICATIONS

“Extra brand . . .” reference dated Jul. 15, 2022 on the internet at:
https://www.paulangeloni.com/the-finance-pulse.*

Primary Examiner — Rhea Shields

(57) **CLAIM**

The ornamental design for a clamshell packaging container,
as shown and described.

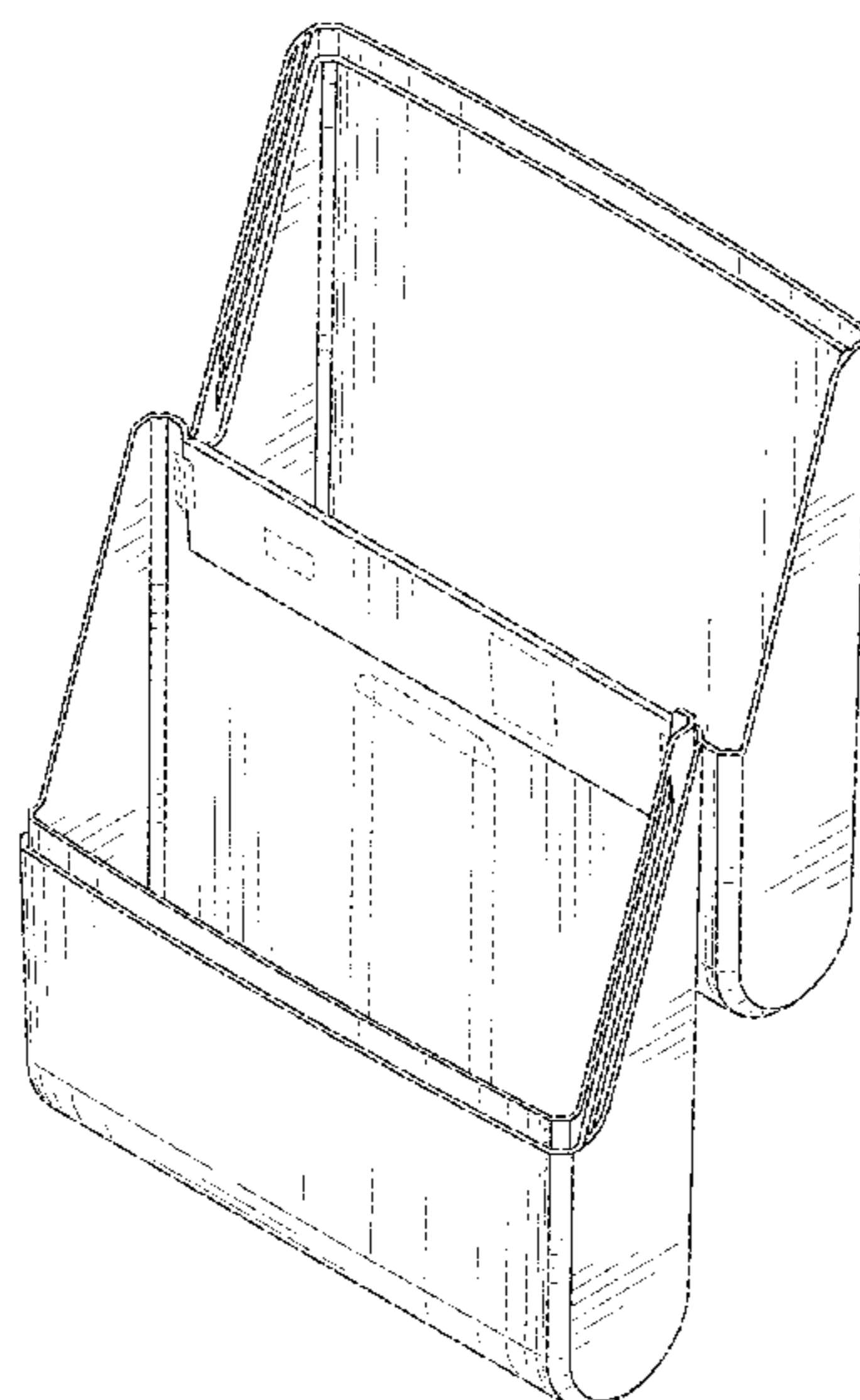
DESCRIPTION

FIG. 1 is a perspective view of a clamshell packaging container in an open configuration; FIG. 2 is a rear view of the clamshell packaging container of FIG. 1 in an open configuration; FIG. 3 is a front view of the clamshell packaging container of FIG. 1 in an open configuration; FIG. 4 is a right view of the clamshell packaging container of FIG. 1 in an open configuration; FIG. 5 is a left view of the clamshell packaging container of FIG. 1 in an open configuration; FIG. 6 is a top view of the clamshell packaging container of FIG. 1 in an open configuration; and, FIG. 7 is a bottom view of the clamshell packaging container of FIG. 1 in an open configuration. In the drawings, the broken lines are for the purpose of illustrating portions of the clamshell packaging container that form no part of the claimed design.

1 Claim, 5 Drawing Sheets

(56) **References Cited**
U.S. PATENT DOCUMENTS

- D277,418 S * 1/1985 Hemrich, Jr. D28/38
- D322,687 S * 12/1991 Tschudin D27/189
- D345,304 S * 3/1994 Leader D9/418
- 6,457,580 B1 * 10/2002 Focke B65D 85/1056
206/268
- D516,422 S * 3/2006 Willson D9/432
- D566,397 S * 4/2008 Jones D3/299
- D611,806 S * 3/2010 Bried D9/420
- D671,677 S * 11/2012 Wu D27/189



(56)

References Cited

U.S. PATENT DOCUMENTS

D819,440	S	*	6/2018	Cunningham	D9/420
D842,983	S	*	3/2019	Eitzman	D24/129
D849,245	S	*	5/2019	Eitzman	D24/110.6
D861,370	S	*	10/2019	Cunningham	D6/512
D882,758	S	*	4/2020	Eitzman	D24/129
D900,306	S	*	10/2020	Eitzman	D24/129
D904,023	S	*	12/2020	Wang	D14/223
D907,049	S	*	1/2021	Yu	D14/440

* cited by examiner

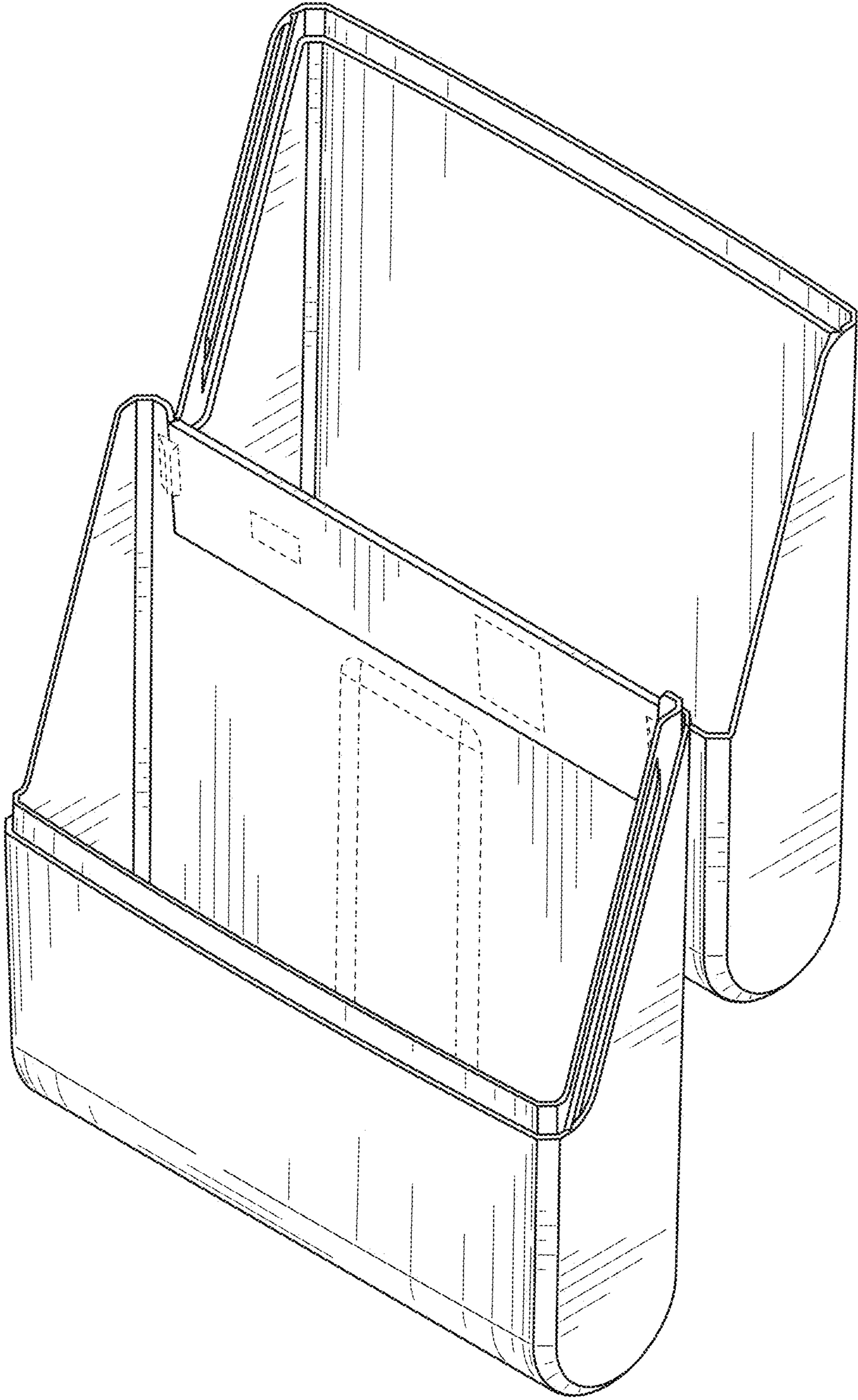


FIG. 1

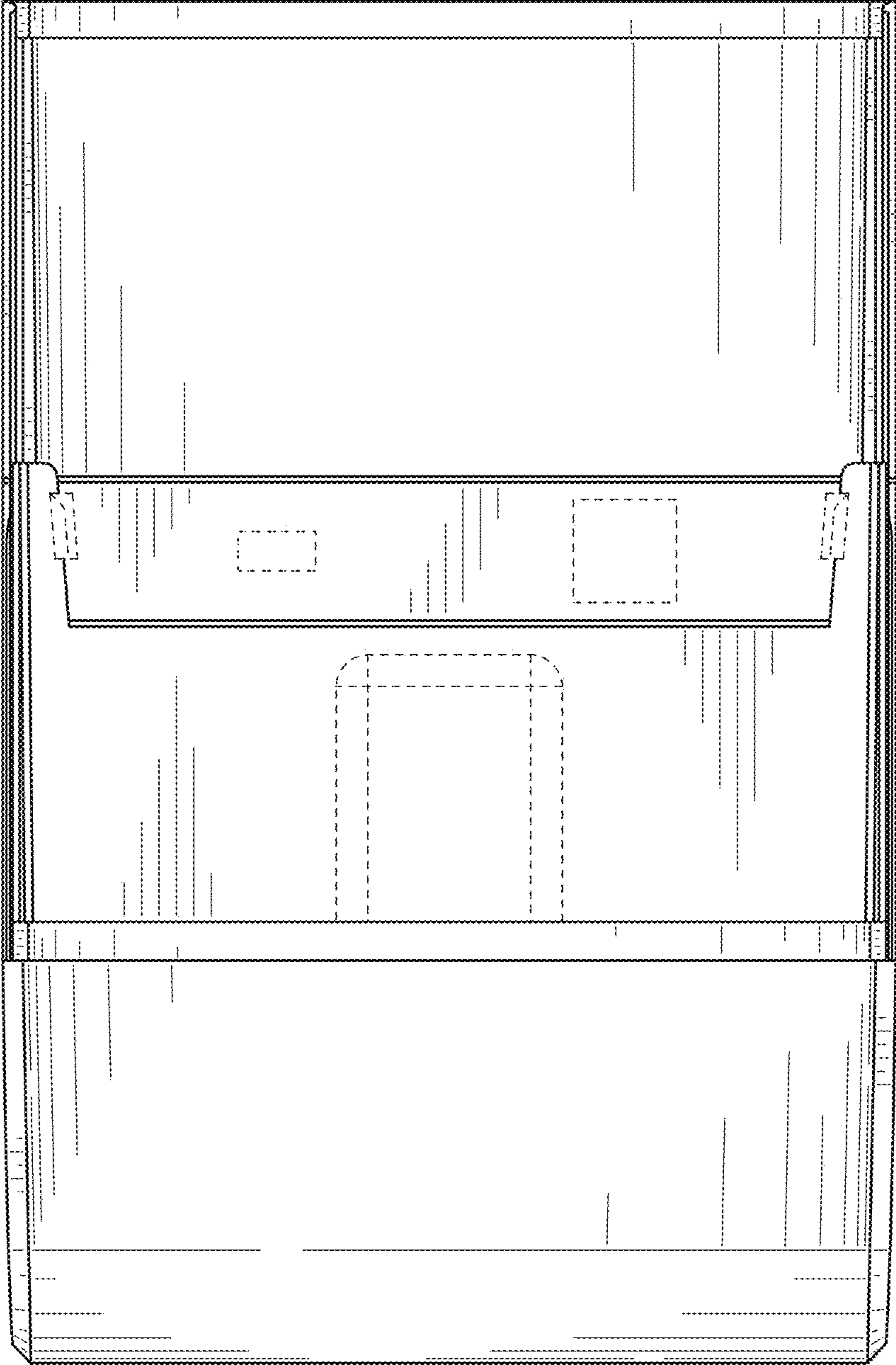


FIG. 2

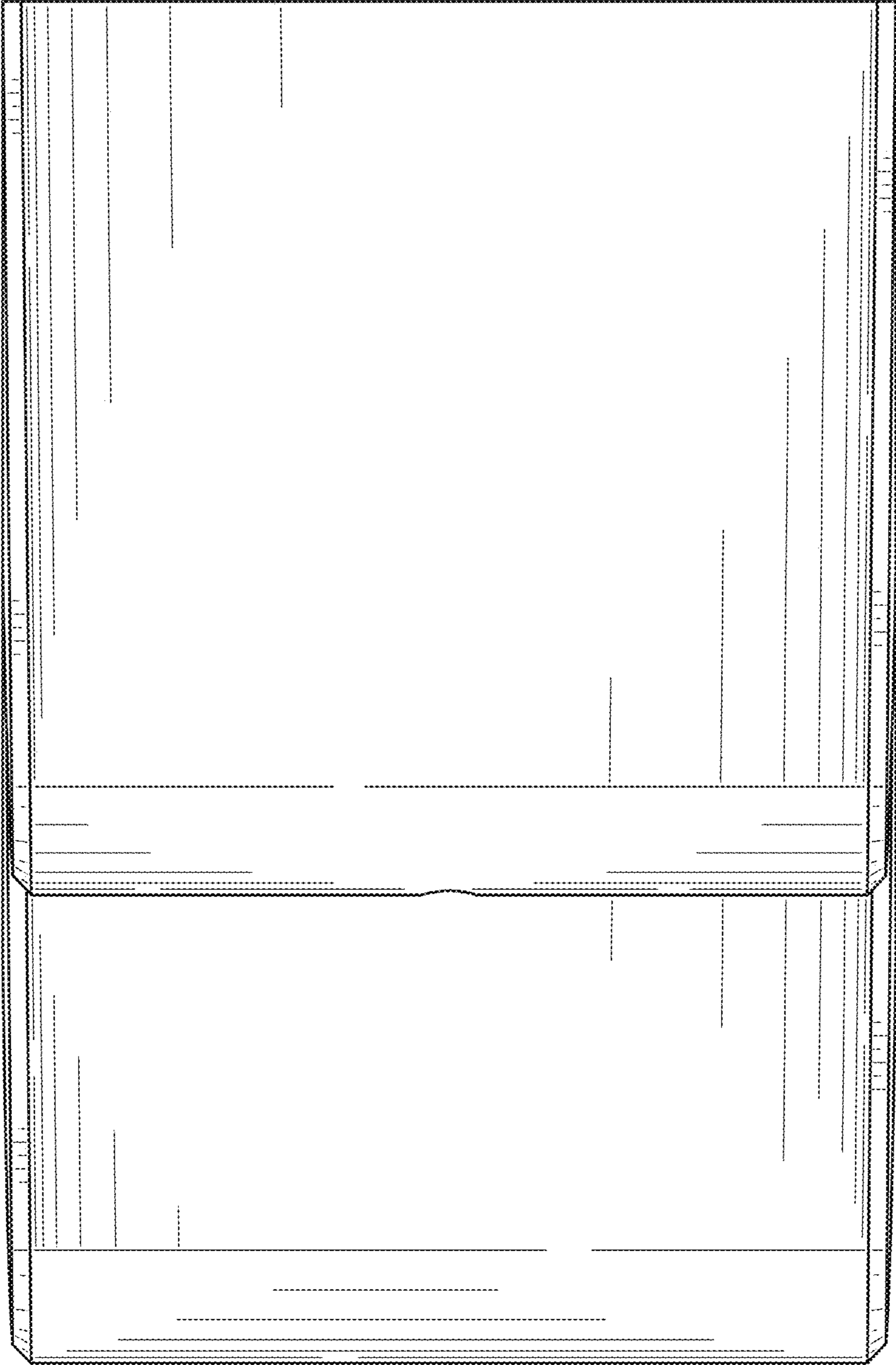


FIG. 3

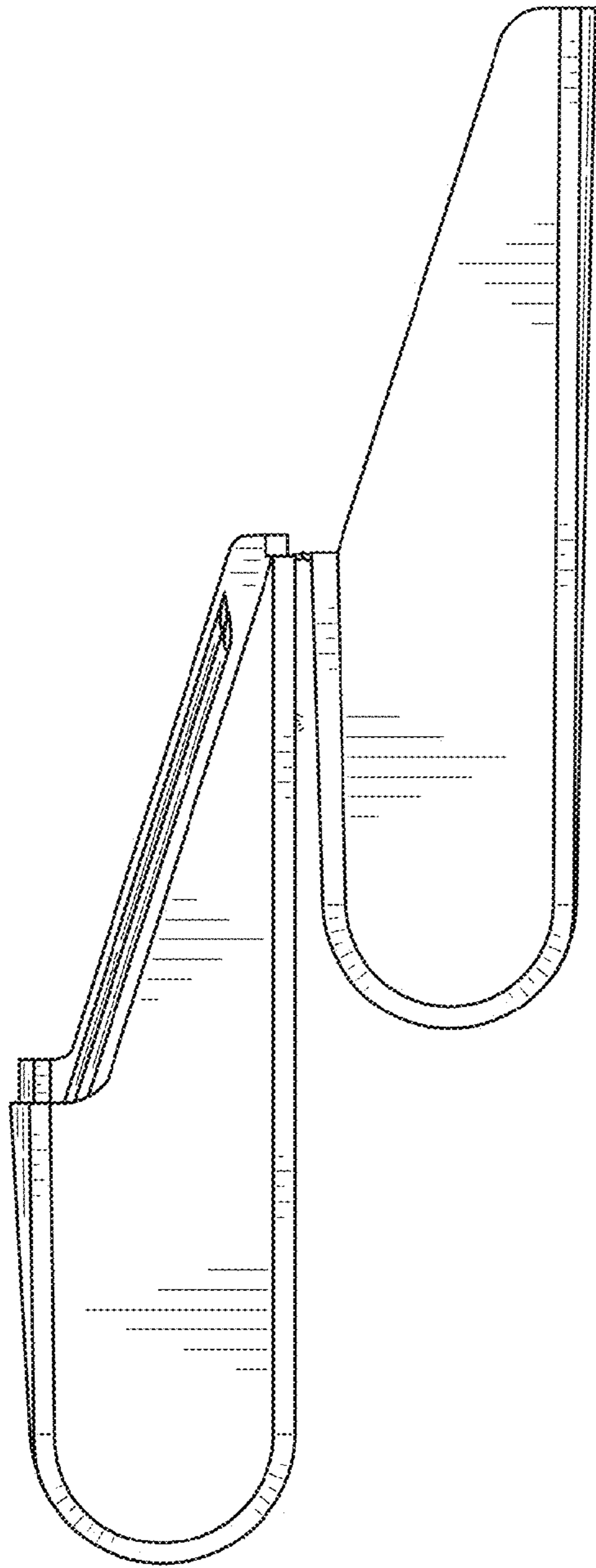


FIG. 4

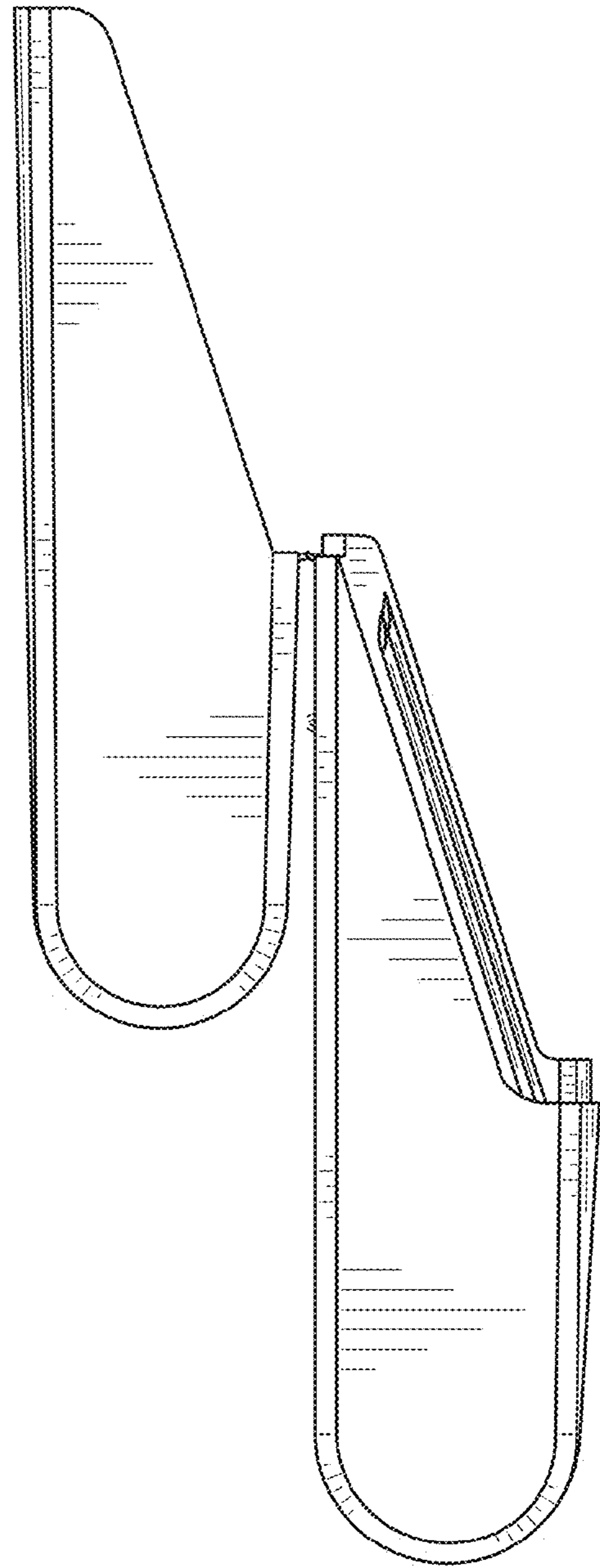


FIG. 5

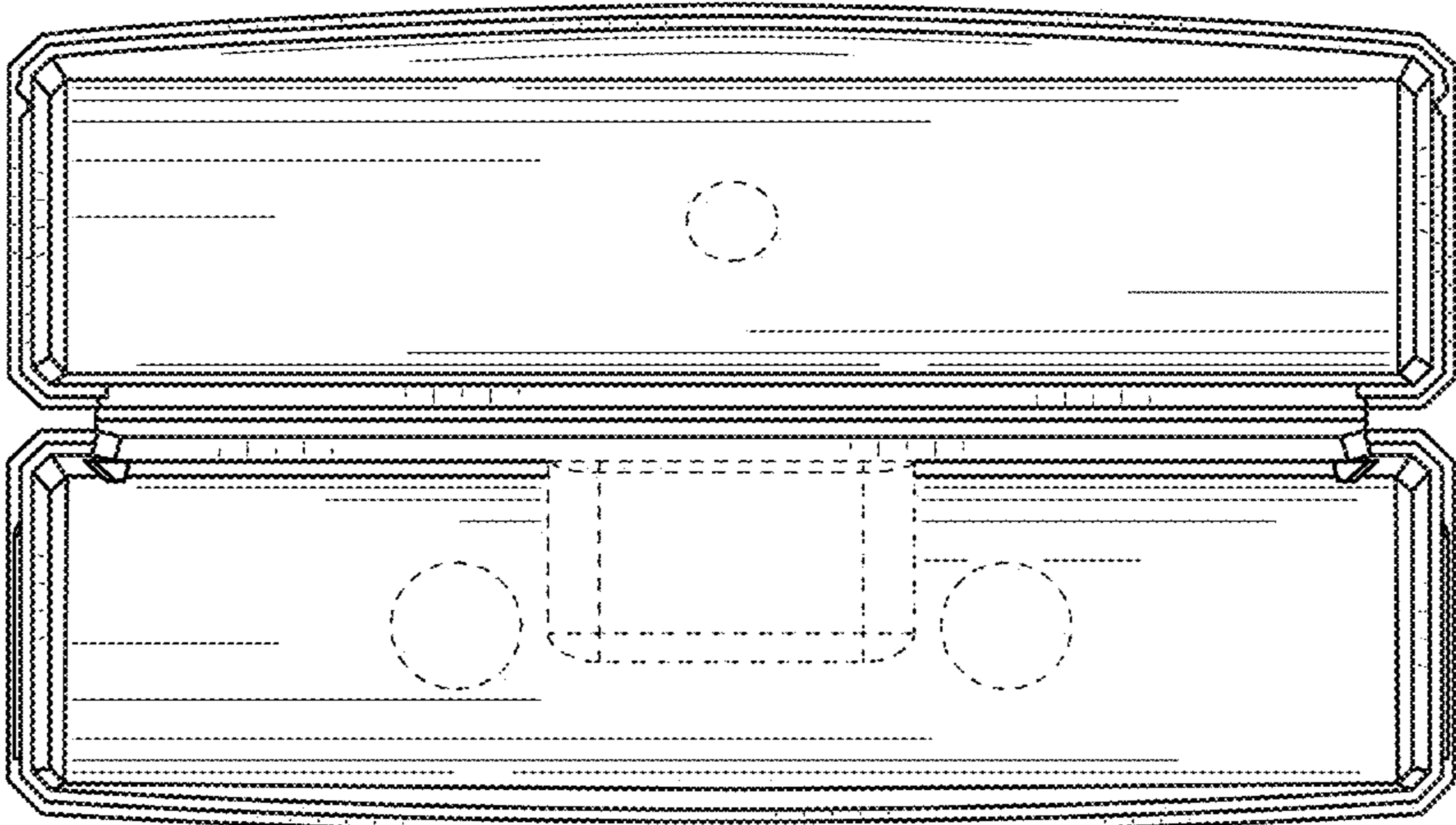


FIG. 6

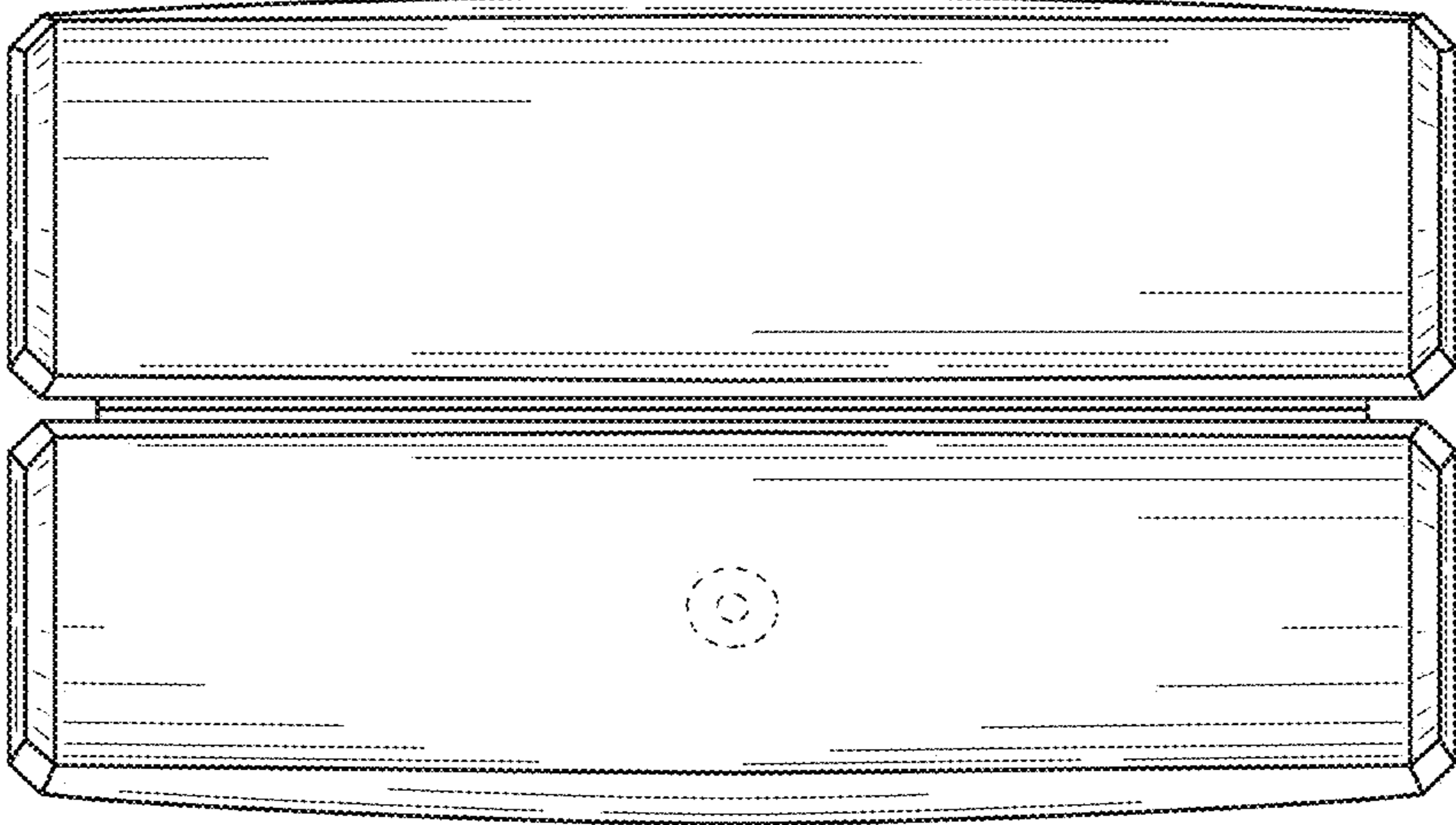


FIG. 7