



US00D970337S

(12) **United States Design Patent** (10) **Patent No.:** **US D970,337 S**
Smith (45) **Date of Patent:** **** Nov. 22, 2022**

(54) **PIPE MOUNTED ATTACHMENT BRACKET**

D835,505 S * 12/2018 De Los Santos D8/396
D922,177 S * 6/2021 Pride D8/349
D926,559 S * 8/2021 Voss D8/382
D933,455 S * 10/2021 Palmer D8/356
2007/0131823 A1* 6/2007 Mominee F16L 5/00
248/62

(71) Applicant: **Polyplas International Pty Ltd,**
Rowville (AU)

(72) Inventor: **Tinus Smith,** Rowville (AU)

(73) Assignee: **Polyplas International Pty Ltd,**
Rowville (AU)

(**) Term: **15 Years**

(21) Appl. No.: **29/729,491**

(22) Filed: **Mar. 26, 2020**

(30) **Foreign Application Priority Data**

Sep. 26, 2019 (AU) 201915609

(51) **LOC (13) Cl.** **08-08**

(52) **U.S. Cl.**
USPC **D8/396**

(58) **Field of Classification Search**
USPC D8/70–72, 371–377, 380–381, 394–398
CPC F16L 3/10; F16L 3/1008; F16L 3/1016
See application file for complete search history.

(56) **References Cited**

U.S. PATENT DOCUMENTS

4,767,087 A * 8/1988 Combu F16L 3/11
248/324
D411,440 S * 6/1999 Stahel D8/396
6,131,859 A * 10/2000 Giuliano F16L 3/1016
24/279
D486,729 S * 2/2004 Ellery D8/396
D625,585 S * 10/2010 Kramer D8/380
D633,785 S * 3/2011 Larson D8/396
D650,889 S * 12/2011 van Walraven D23/265
D684,034 S * 6/2013 Vaughan D8/354
D692,294 S * 10/2013 Koeniger D8/396
D731,876 S * 6/2015 Di Stefano D8/363
D742,213 S * 11/2015 Sasanecki D8/396
D805,888 S * 12/2017 De Los Santos D8/396

(Continued)

OTHER PUBLICATIONS

“WYKA Heavy Duty Adjustable Pipe Bracket Clamps”, Aug. 28, 2019, Amazon.com, site visited Dec. 15, 2021: <https://www.amazon.com/WYKA-Adjustable-Bracket-Ceiling-Support/dp/B07X57K6JW> (Year: 2019).*

(Continued)

Primary Examiner — Jack Reickel

Assistant Examiner — Michael A Kervin

(74) *Attorney, Agent, or Firm* — EcoTech Law Group,
P.C.; Harmohinder S. Bedi

(57) **CLAIM**

The ornamental design for a pipe mounted attachment bracket, as shown and described.

DESCRIPTION

FIG. 1: is a perspective view of a pipe mounted attachment bracket;

FIG. 2: is a front view of the pipe mounted attachment bracket of FIG. 1;

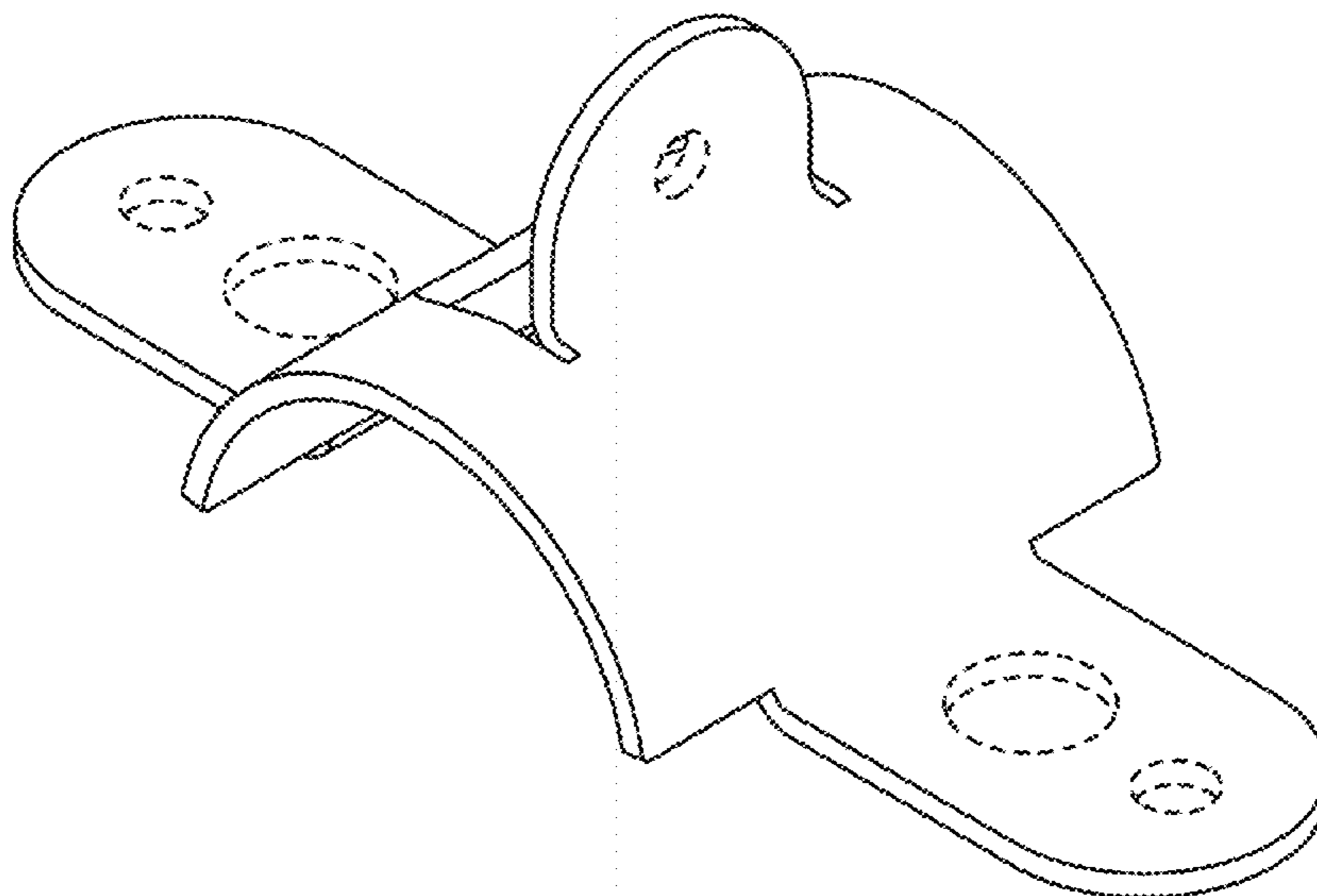
FIG. 3: is a top front view of the pipe mounted attachment bracket of FIG. 1;

FIG. 4: is a side view of the pipe mounted attachment bracket of FIG. 1; and,

FIG. 5 is a bottom view of the pipe mounted attachment bracket of FIG. 1.

The broken line showing of a pipe mounted attachment bracket is for the purpose of illustrating portions of the article and forms no part of the claimed design.

1 Claim, 5 Drawing Sheets



(56)

References Cited

U.S. PATENT DOCUMENTS

2013/0075540 A1* 3/2013 Hammond F16L 3/1008
248/62
2019/0376625 A1* 12/2019 Schickling F16L 3/127

OTHER PUBLICATIONS

“WYKA Heavy Duty Rigid Handleless Flat Pipe Bracket Clamp”,
Aug. 28, 2019, Amazon.com, site visited Dec. 15, 2021: [https://
www.amazon.com/WYKA-Heavy-Stainless-Rust-Free-27-2mm/dp/
B07X21YZQS](https://www.amazon.com/WYKA-Heavy-Stainless-Rust-Free-27-2mm/dp/B07X21YZQS) (Year: 2019).*

* cited by examiner

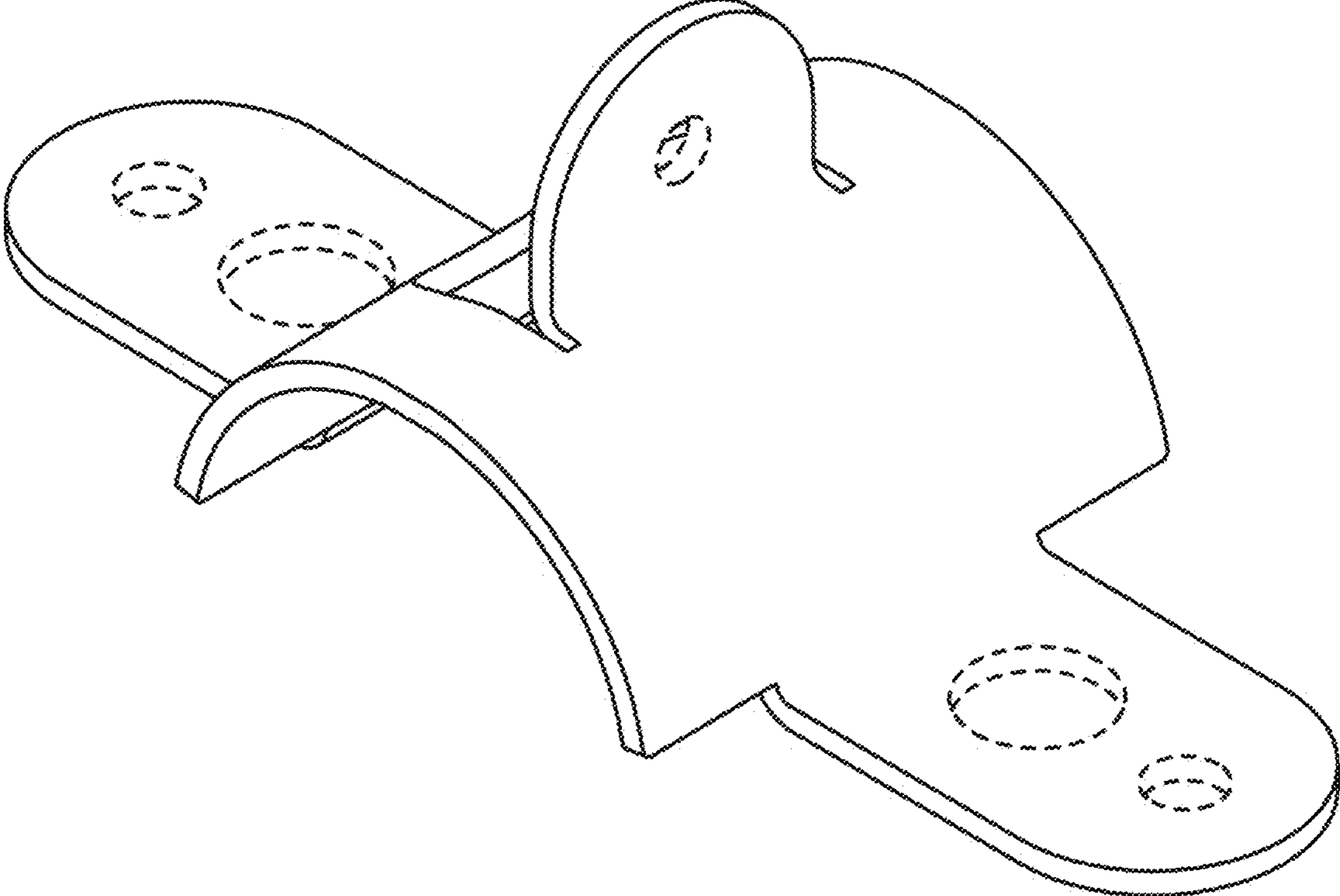


FIG. 1

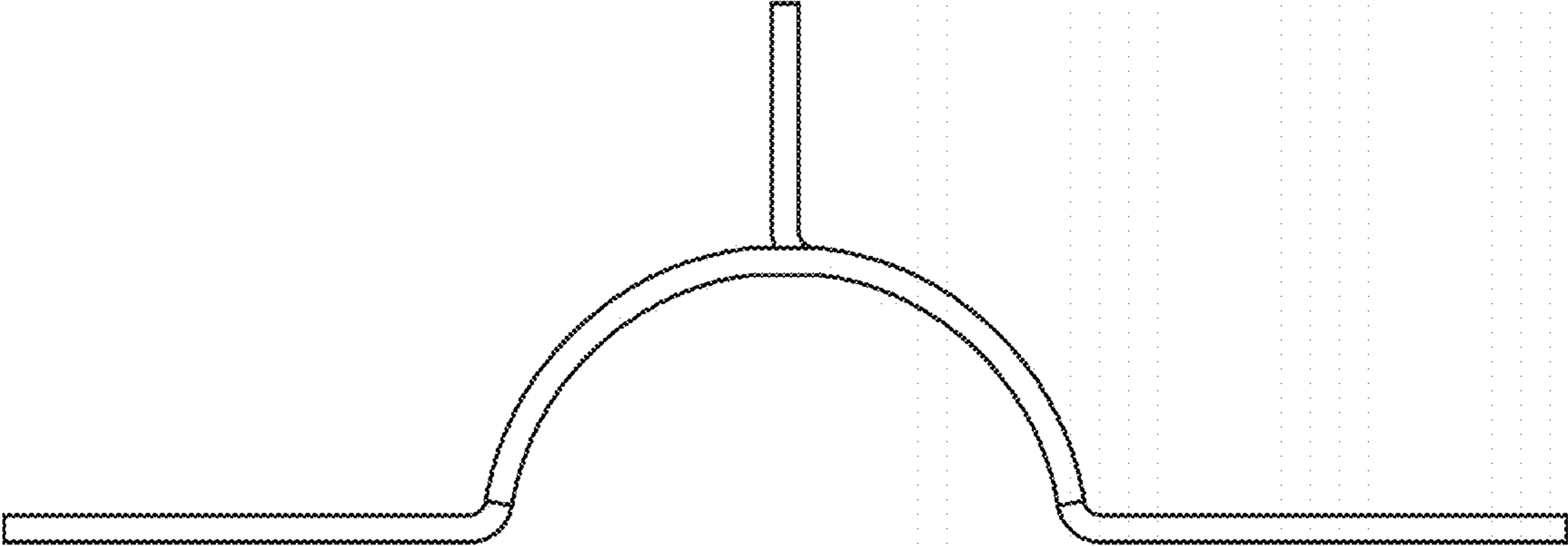


FIG. 2

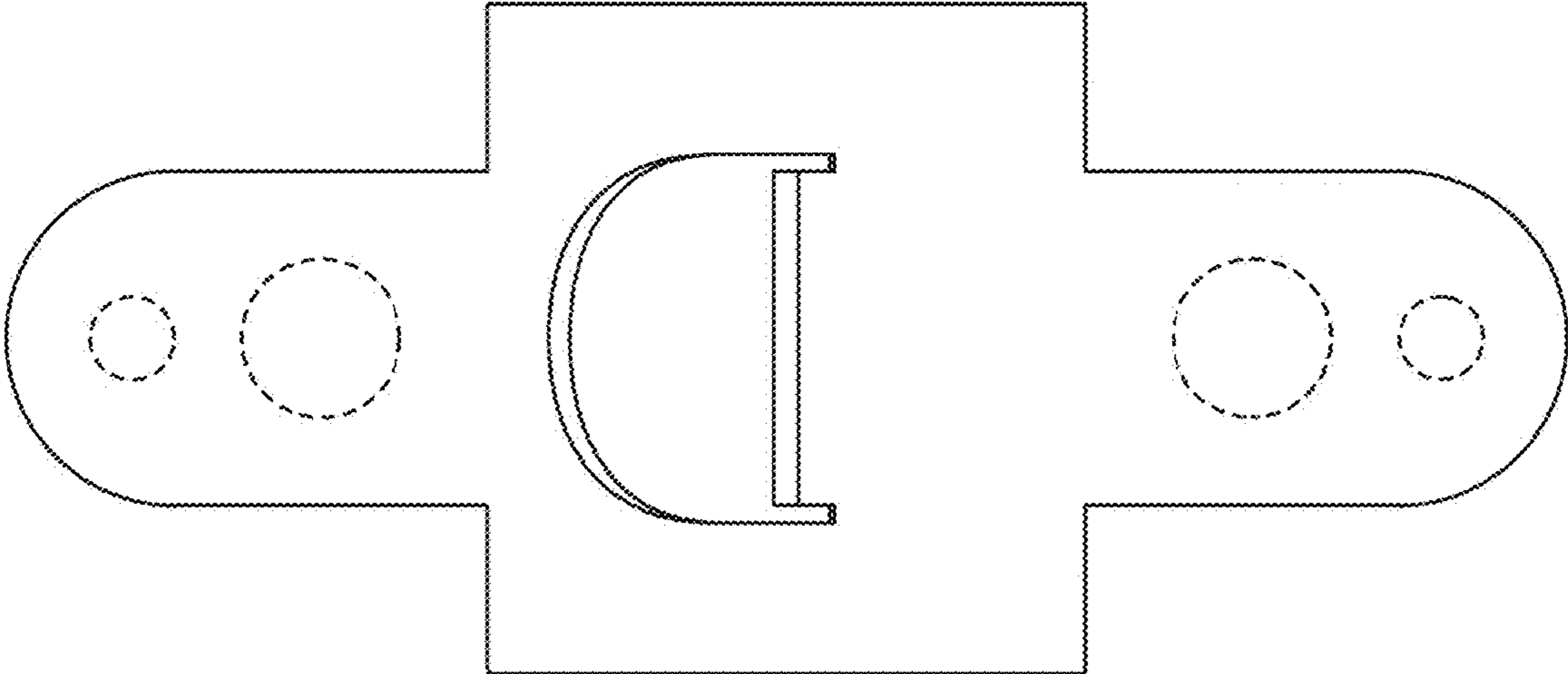


FIG. 3

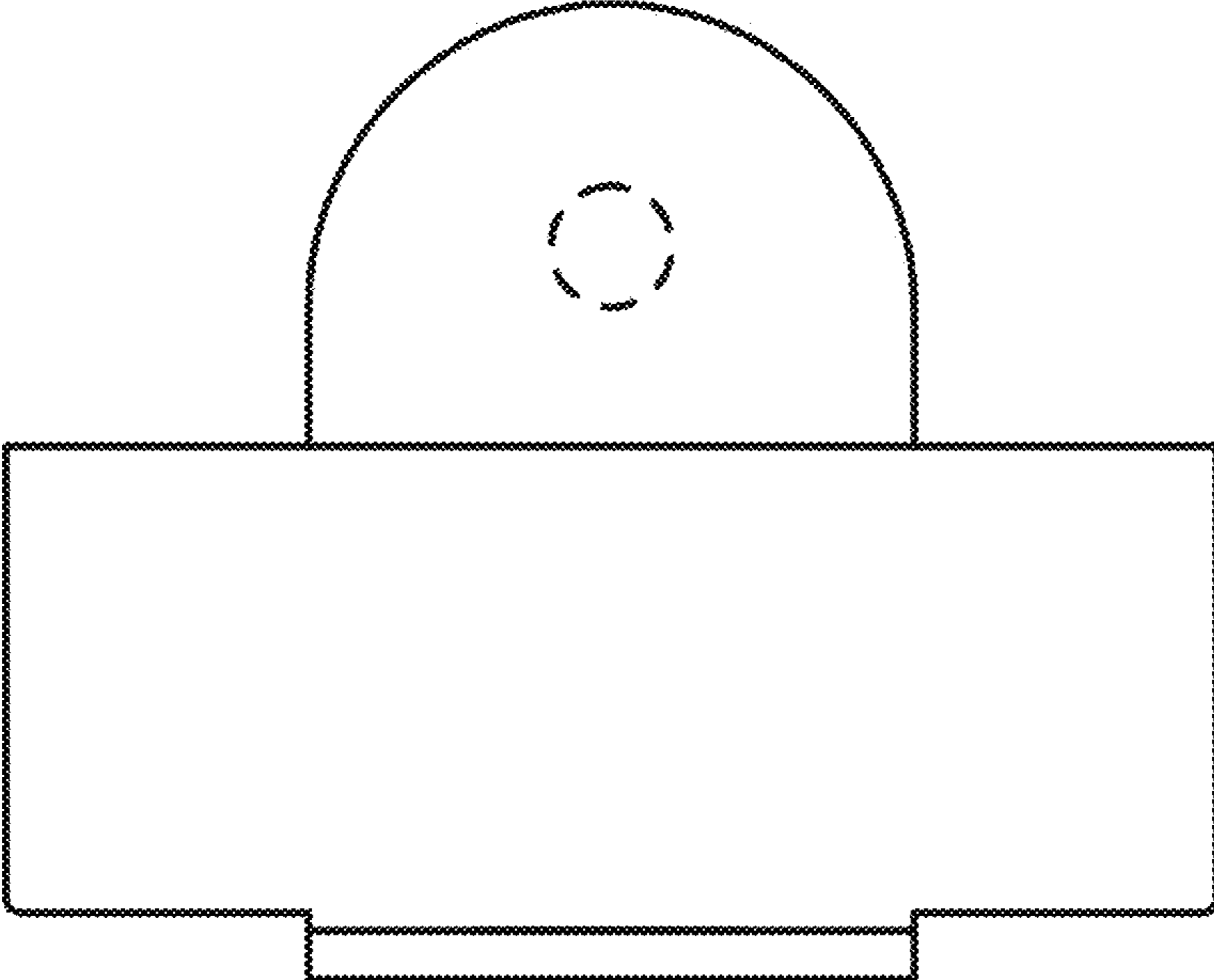


FIG. 4

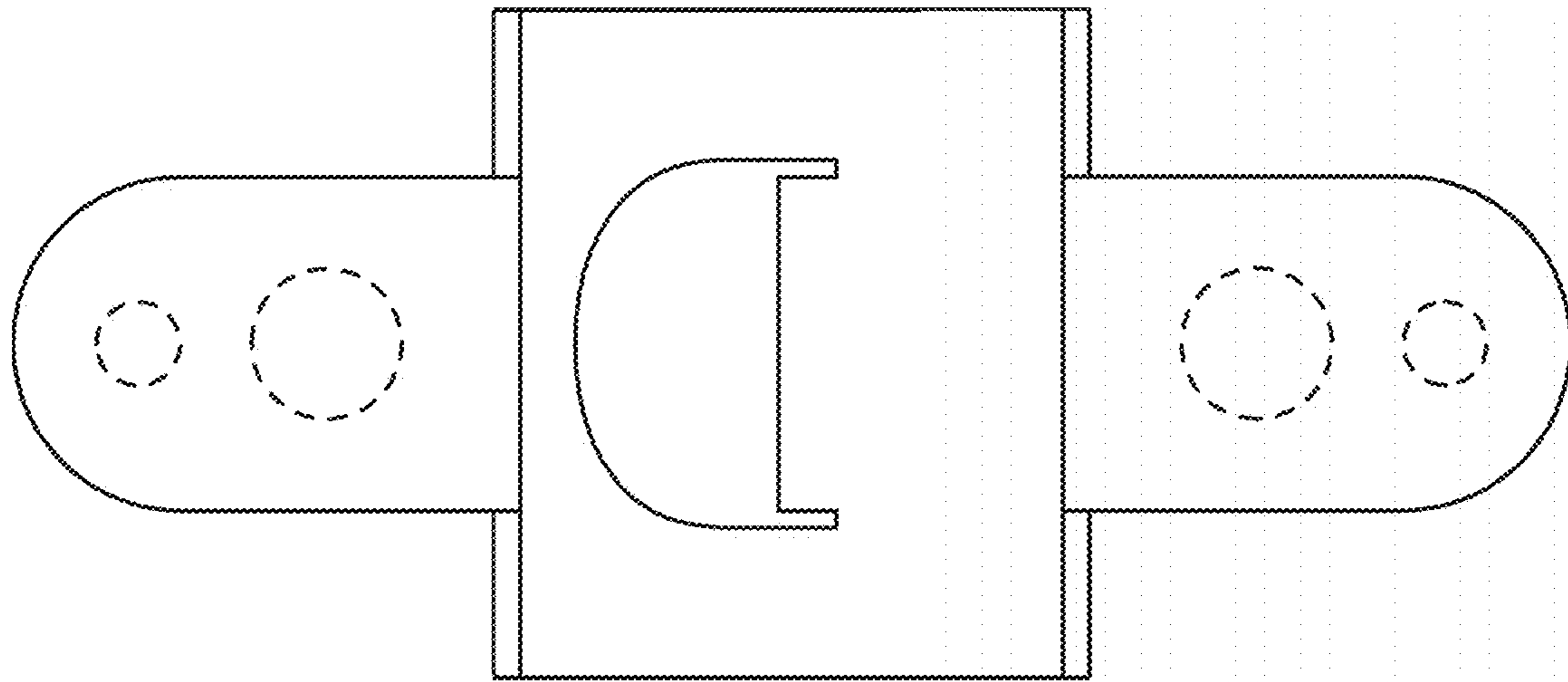


FIG. 5