



US00D970336S

(12) **United States Design Patent** (10) **Patent No.:** **US D970,336 S**
Zhu (45) **Date of Patent:** **** Nov. 22, 2022**

(54) **CLIP**
(71) Applicant: **Wuhan Qiyue Electronic Commerce Co. LTD**, Wuhan (CN)
(72) Inventor: **Zhe Zhu**, Changde (CN)
(**) Term: **15 Years**
(21) Appl. No.: **29/845,898**
(22) Filed: **Jul. 12, 2022**
(51) **LOC (13) Cl.** **08-08**
(52) **U.S. Cl.**
USPC **D8/385; D8/394**
(58) **Field of Classification Search**
USPC D8/385, 72, 73, 394; D23/259, 269; D11/215
CPC H01R 13/639; F16B 45/02; F16B 2/06; A61F 5/448; F16L 33/06; F16L 37/00; F16L 23/06; E04D 13/00
See application file for complete search history.

D602,620 S * 10/2009 Cristoforo D26/60
D619,285 S * 7/2010 Cristoforo D26/38
D639,707 S * 6/2011 Caskey D11/201
D644,920 S 9/2011 Price
D683,653 S * 6/2013 Moreau D11/215
D751,889 S * 3/2016 Thiltgès D8/394
D752,966 S * 4/2016 Katz D8/395
D758,839 S * 6/2016 Kaalberg D8/395
D761,010 S * 7/2016 Khodapanah D3/218
D763,673 S * 8/2016 Moreau D8/395
D777,023 S * 1/2017 Kaalberg D8/395
D873,915 S * 1/2020 Nash D19/69
D932,292 S 10/2021 Holdcroft
D939,333 S 12/2021 Kuhl
D948,326 S * 4/2022 Ruan D8/395
2014/0345089 A1 * 11/2014 Kaalberg A47C 21/022 24/72.5

* cited by examiner

Primary Examiner — Marissa J Cash
Assistant Examiner — Kayla Marie Bennett
(74) *Attorney, Agent, or Firm* — Rumit Ranjit Kanakia

(57) **CLAIM**

The ornamental design for a clip, as shown and described.

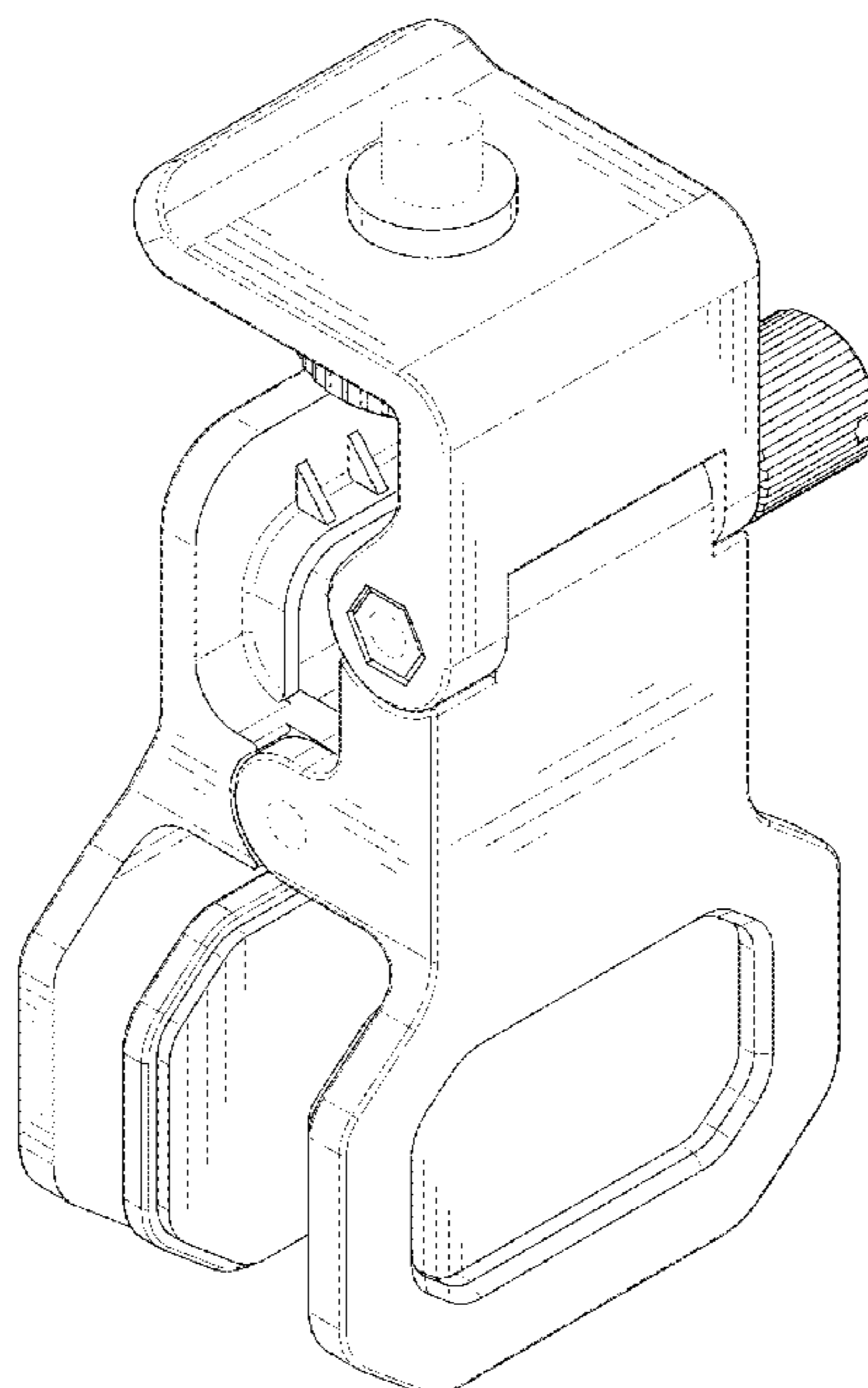
DESCRIPTION

FIG. 1 is a first perspective view of a clip showing my new design;
FIG. 2 is a second perspective view thereof;
FIG. 3 is a front view thereof;
FIG. 4 is a back view thereof;
FIG. 5 is a left side view thereof;
FIG. 6 is a right side view thereof;
FIG. 7 is a top view thereof; and,
FIG. 8 is a bottom view thereof.
The broken lines shown in the drawings depict portions of the clip that form no part of the claimed design.

1 Claim, 8 Drawing Sheets

(56) **References Cited**
U.S. PATENT DOCUMENTS

D269,153 S * 5/1983 Whitbread D8/394
D400,466 S * 11/1998 Gleason D11/78.1
D405,808 S * 2/1999 Bankier D15/78
D409,114 S * 5/1999 Bortner D11/216
D439,202 S * 3/2001 Takabayashi D11/215
D448,554 S * 10/2001 Zelman D3/219
D464,994 S * 10/2002 Rosen D19/86
D525,117 S * 7/2006 Mariano D8/395
D551,069 S * 9/2007 Wu D8/395
D564,006 S * 3/2008 Stephens D16/208
D584,406 S * 1/2009 Veedfald A61M 5/1418 D24/128
D585,645 S * 2/2009 Mchatet D3/266
D599,651 S * 9/2009 Riggsbee D8/395



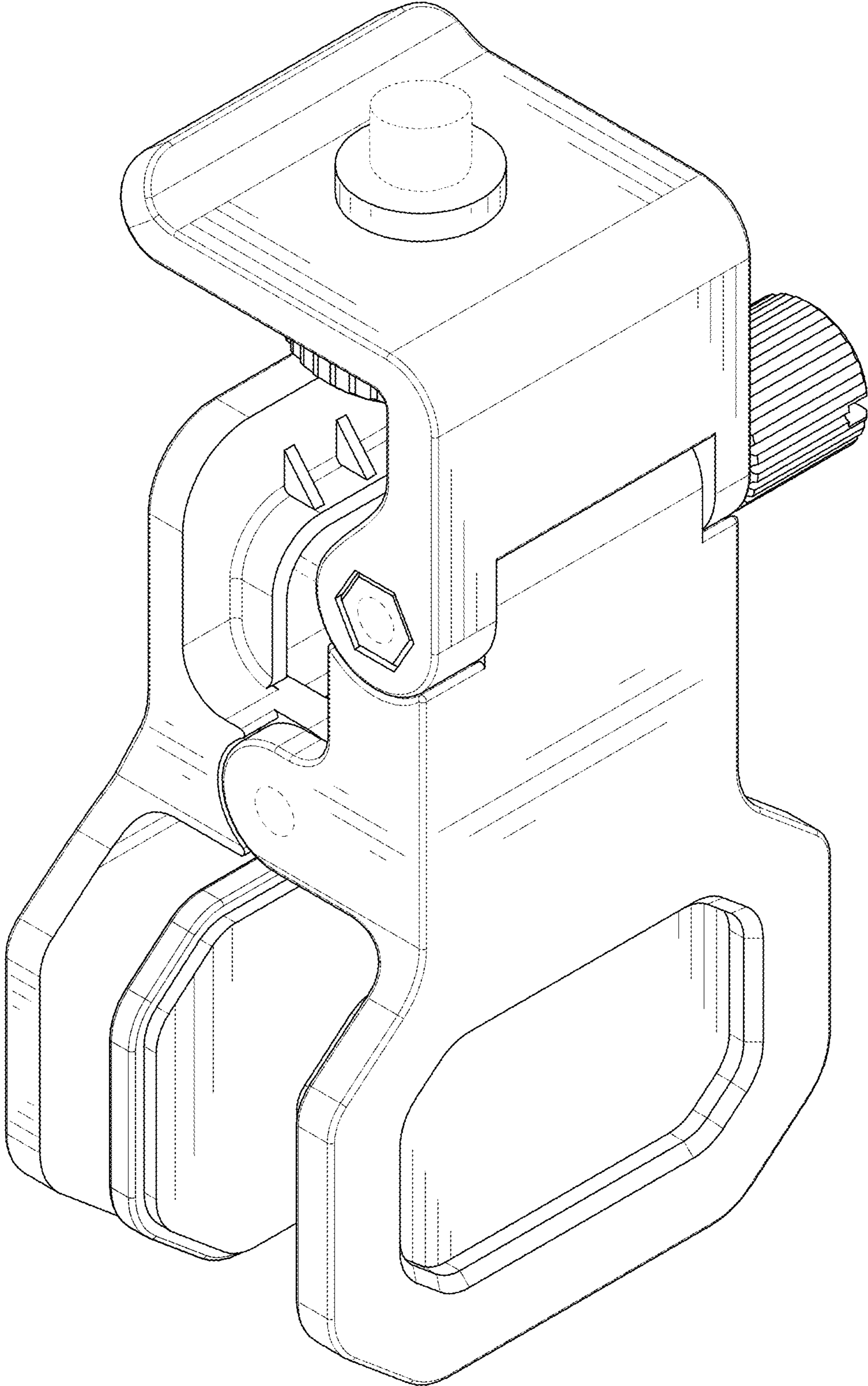


FIG. 1

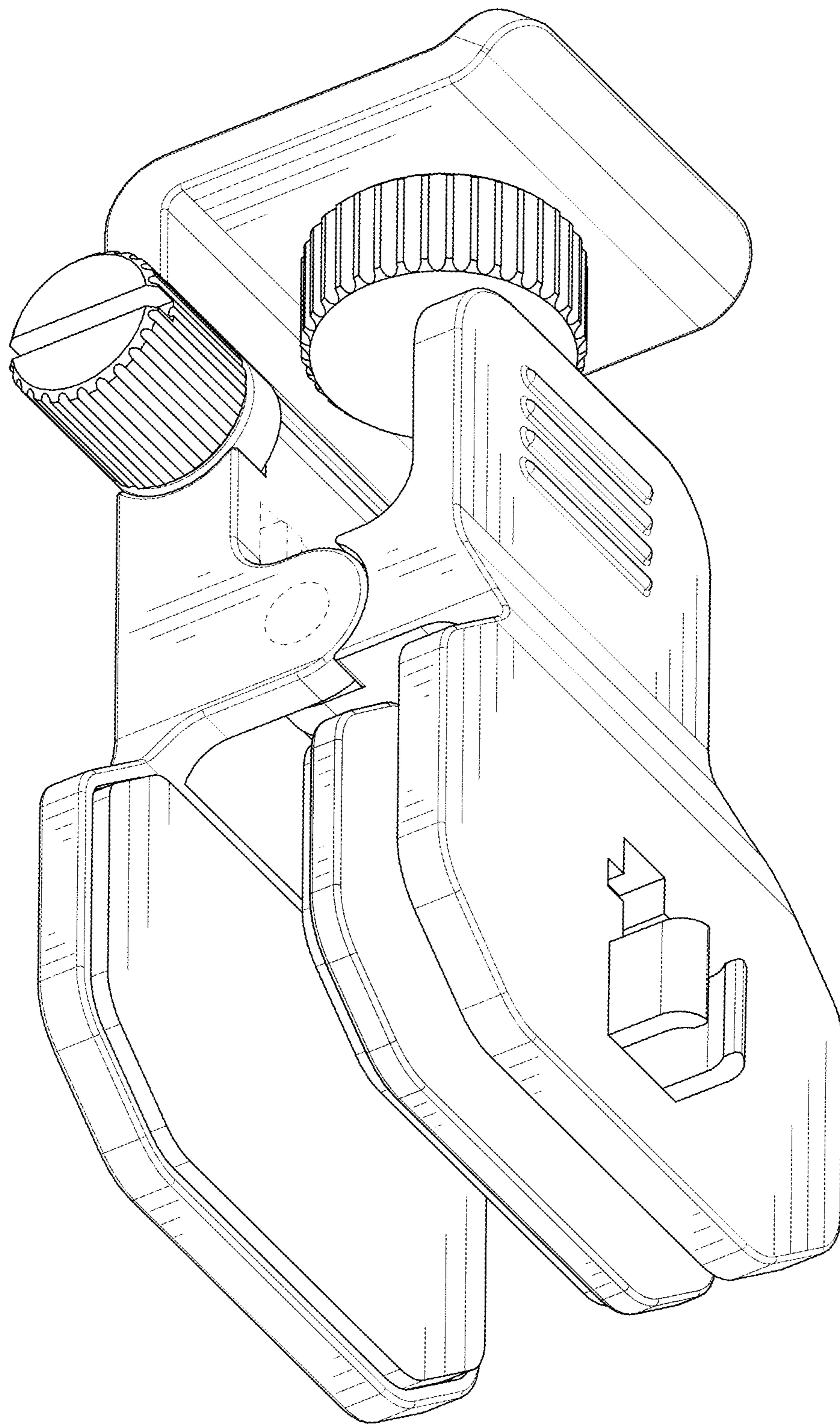


FIG. 2

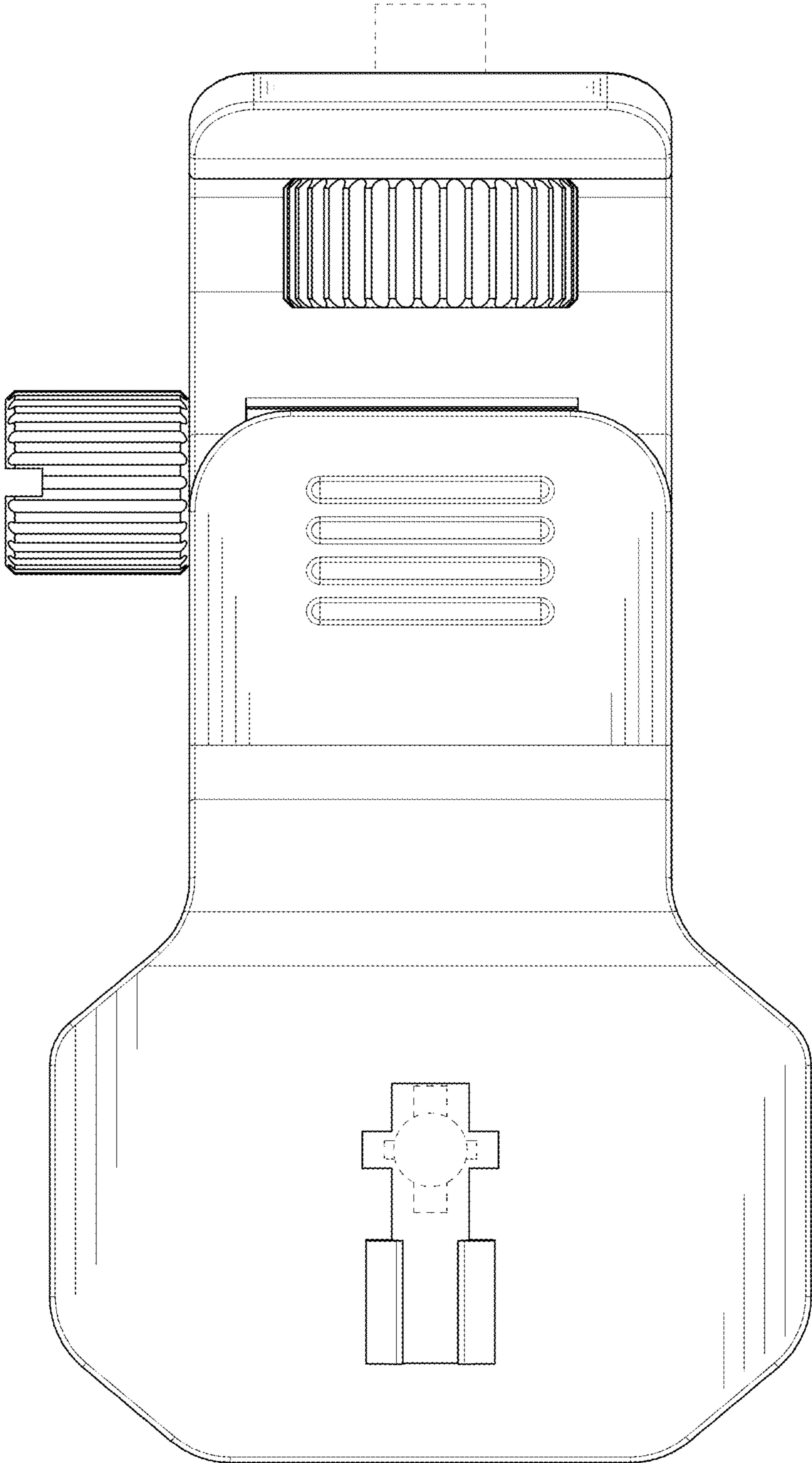


FIG. 3

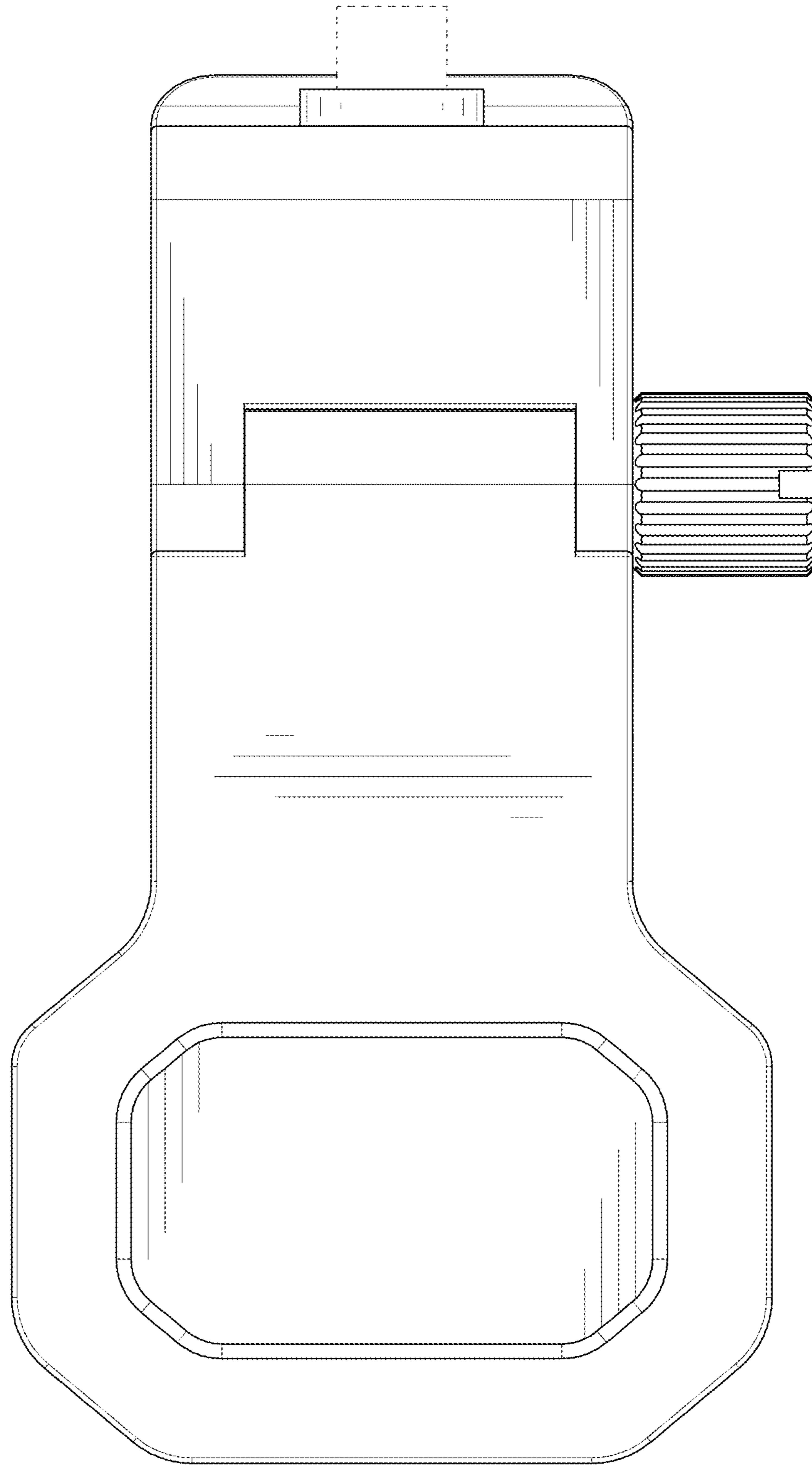


FIG. 4

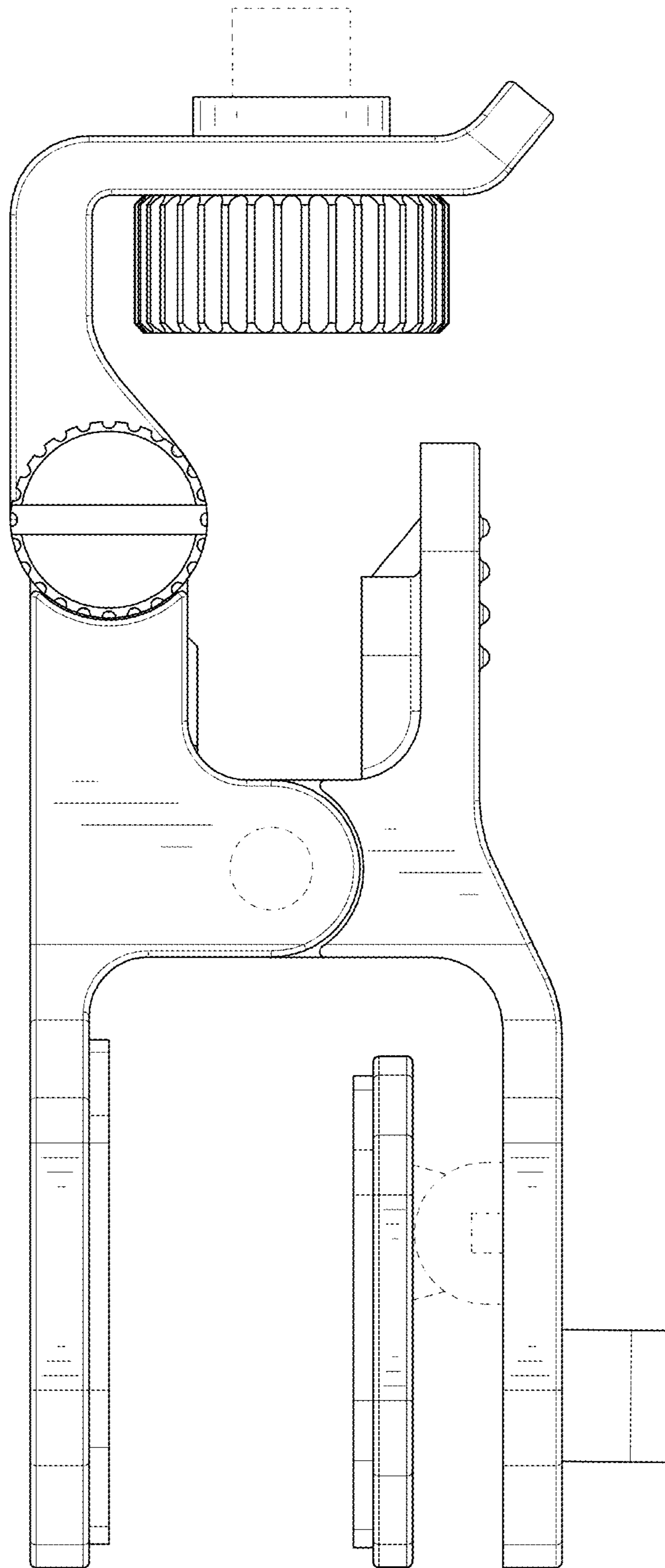


FIG. 5

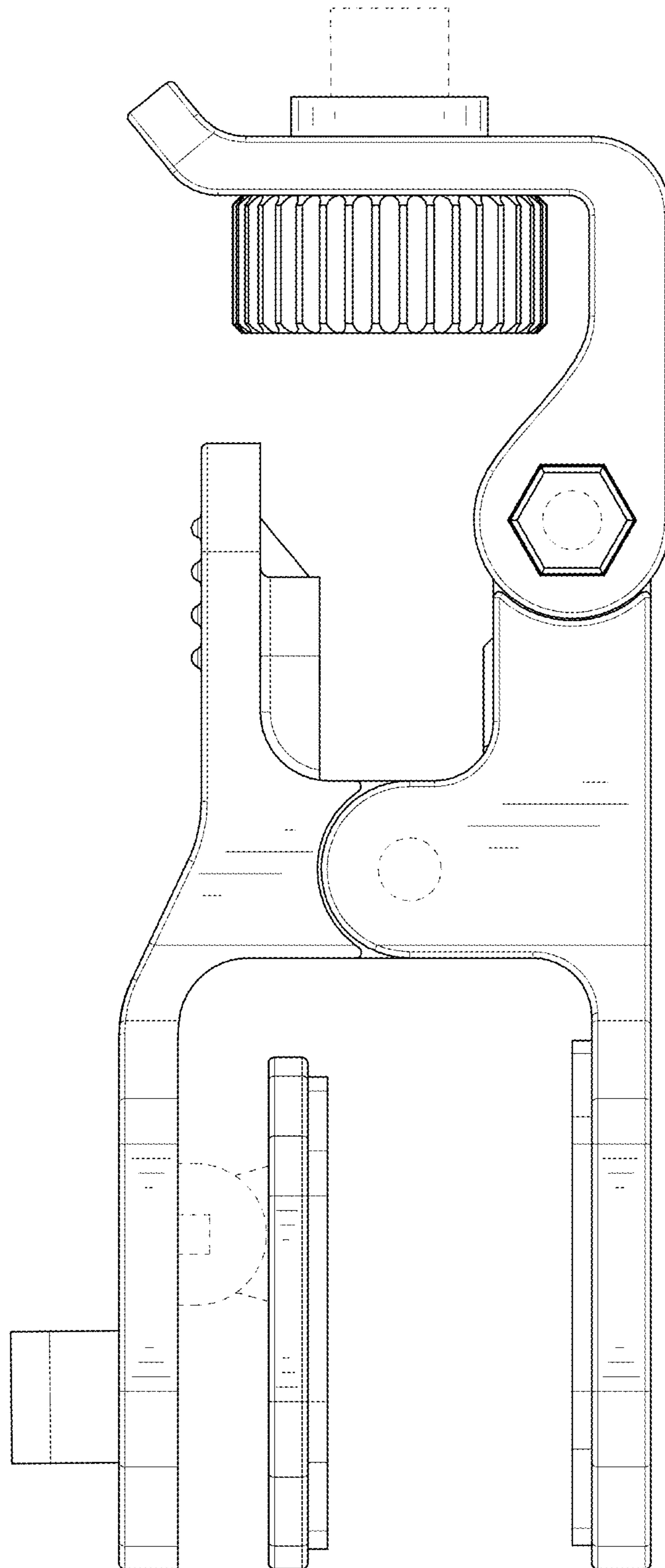


FIG. 6

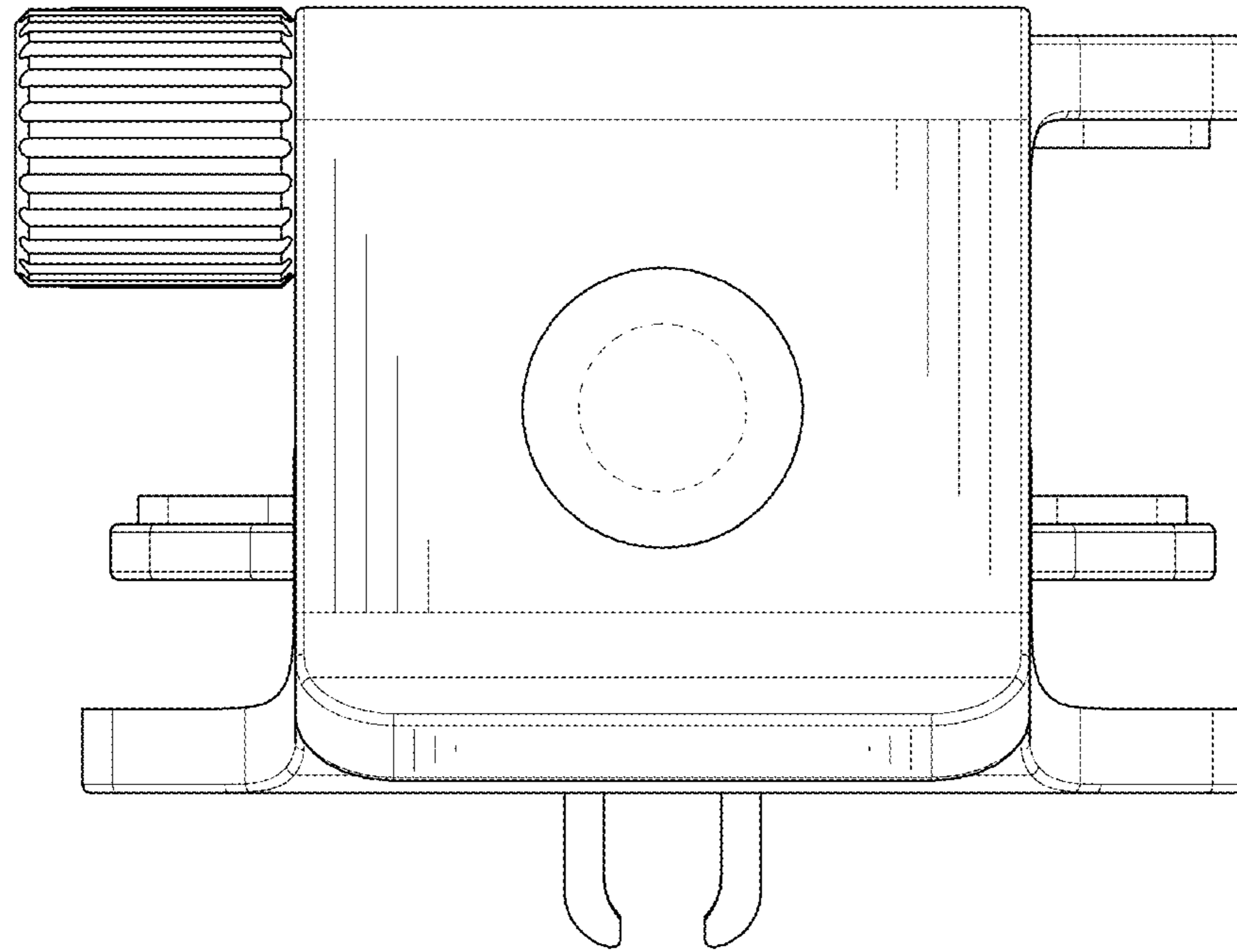


FIG. 7

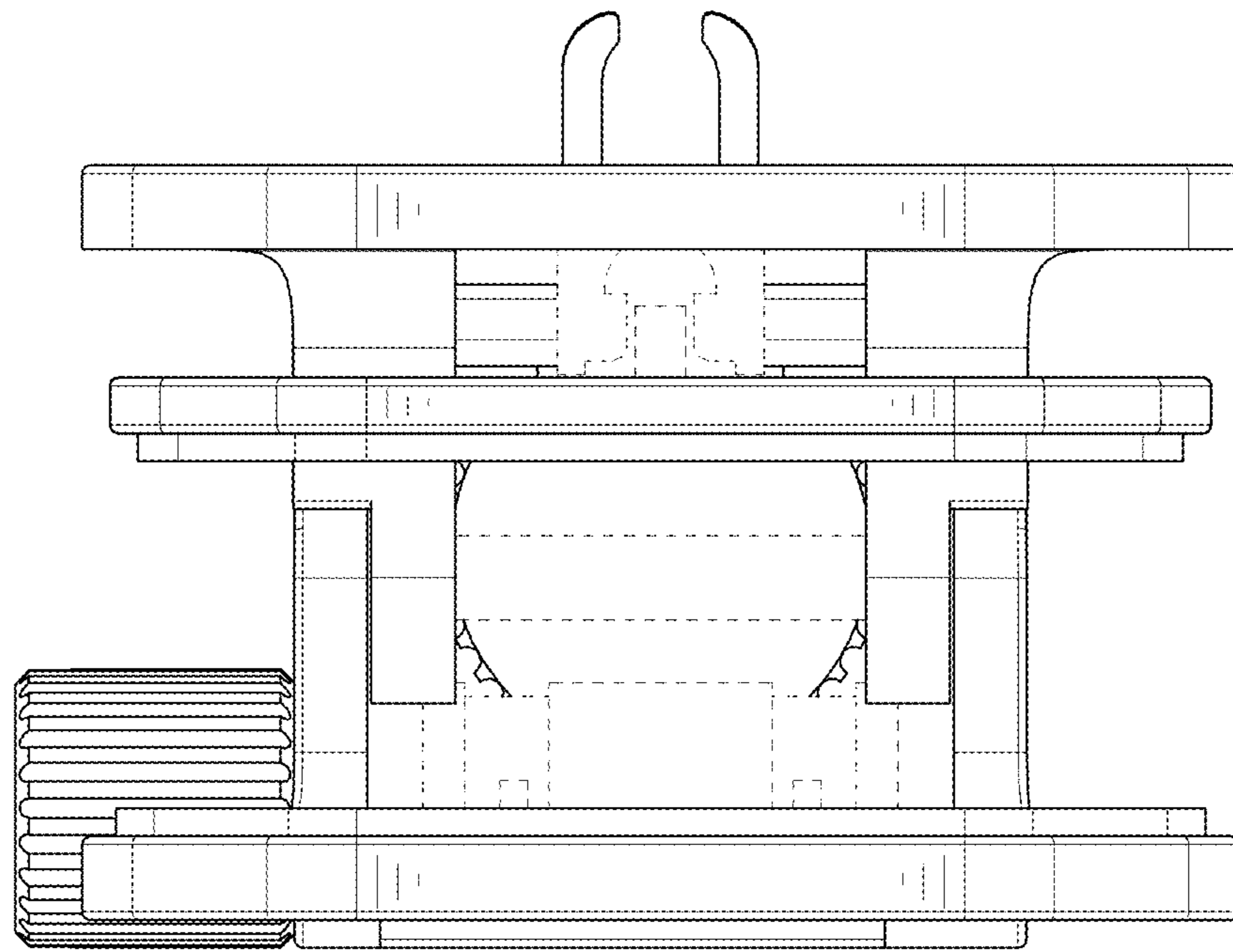


FIG. 8