



US00D970335S

(12) **United States Design Patent** (10) **Patent No.:** **US D970,335 S**
Yu (45) **Date of Patent:** **** Nov. 22, 2022**

(54) **SQUARE CURTAIN ROD FINIAL**
(71) Applicant: **E-BOAT TECHNOLOGY**
SHENZHEN LIMITED, Shenzhen
(CN)
(72) Inventor: **Fenghua Yu**, Shenzhen (CN)
(73) Assignee: **E-BOAT TECHNOLOGY**
SHENZHEN LIMITED, Shenzhen
(CN)

D516,902 S * 3/2006 Harwanko D8/378
D707,544 S * 6/2014 Varlamoff D8/378
D789,777 S * 6/2017 Sotto D8/378
D799,946 S 10/2017 Sotto
D799,947 S * 10/2017 Sotto D8/373
D882,379 S * 4/2020 Roe D8/378
D883,074 S * 5/2020 Roe D8/378
D941,664 S * 1/2022 Willing D8/373

* cited by examiner

Primary Examiner — Khawaja Anwar
(74) *Attorney, Agent, or Firm* — Nitin Kaushik

(**) Term: **15 Years**

(21) Appl. No.: **29/847,015**

(22) Filed: **Jul. 20, 2022**

(51) **LOC (13) Cl.** **08-03**

(52) **U.S. Cl.**
USPC **D8/378**

(58) **Field of Classification Search**
USPC D8/378, 380, 373, 376, 307, 353, 352,
D8/367, 301, 310; D23/250, 238, 407
See application file for complete search history.

(56) **References Cited**

U.S. PATENT DOCUMENTS

D492,582 S * 7/2004 Graves D8/378
D504,059 S * 4/2005 File D8/378

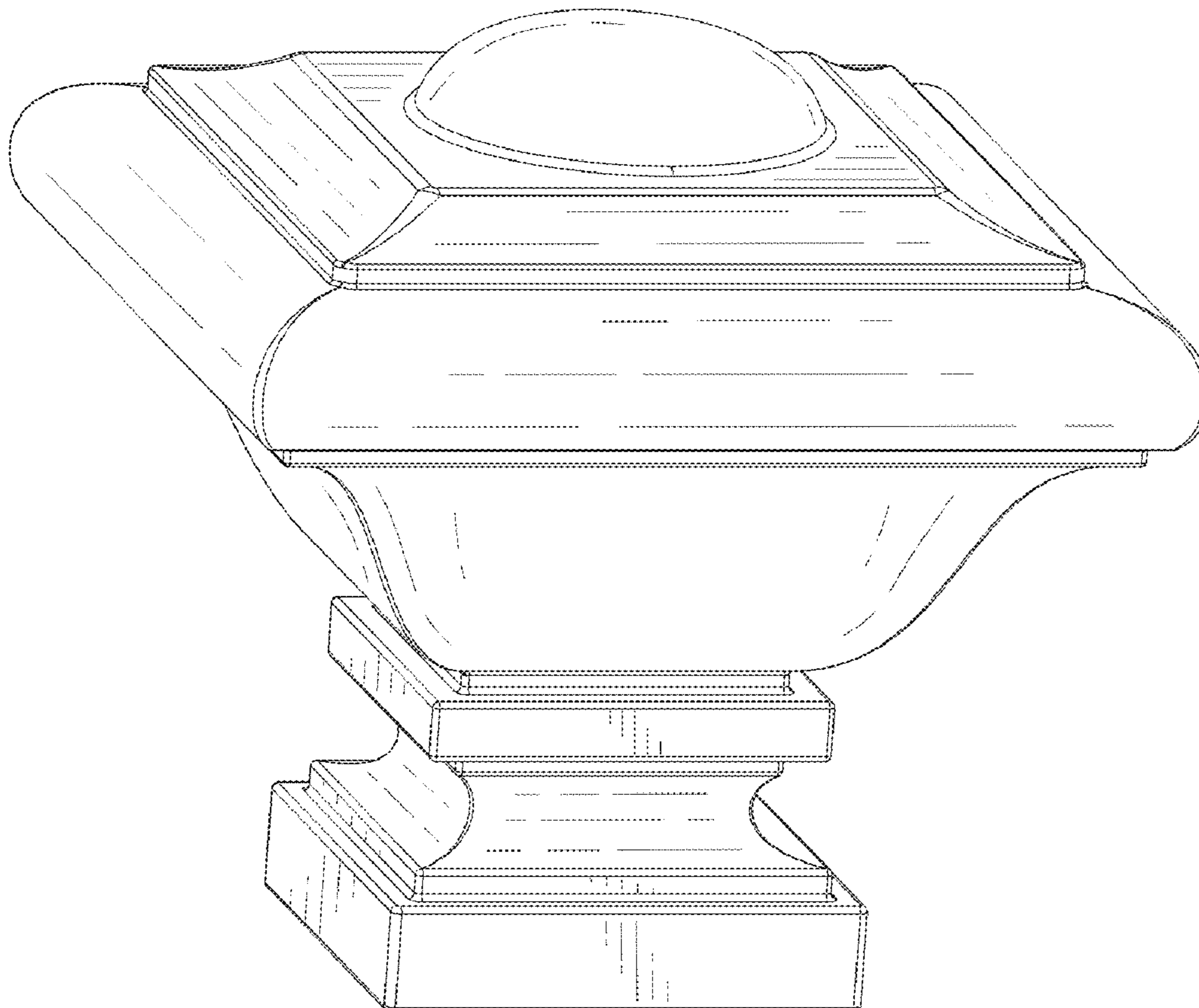
(57) **CLAIM**

The ornamental design for a square curtain rod finial, as shown and described.

DESCRIPTION

FIG. 1 is a front perspective view of a square curtain rod finial, showing my new design;
FIG. 2 is a front view thereof;
FIG. 3 is a rear view thereof;
FIG. 4 is a left side view thereof;
FIG. 5 is a right side view thereof;
FIG. 6 is a top view thereof; and,
FIG. 7 is a bottom view thereof.

1 Claim, 7 Drawing Sheets



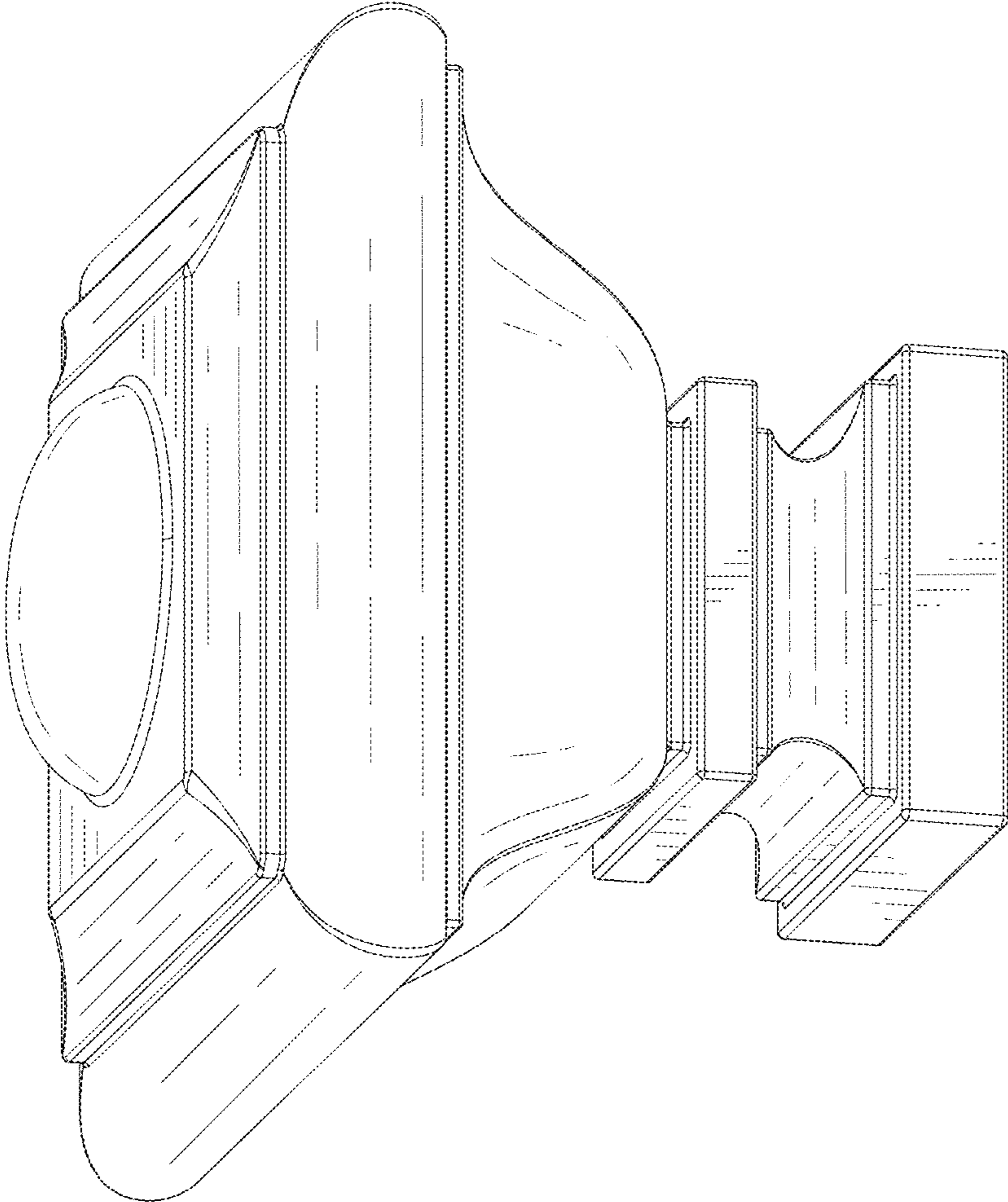


FIG. 1

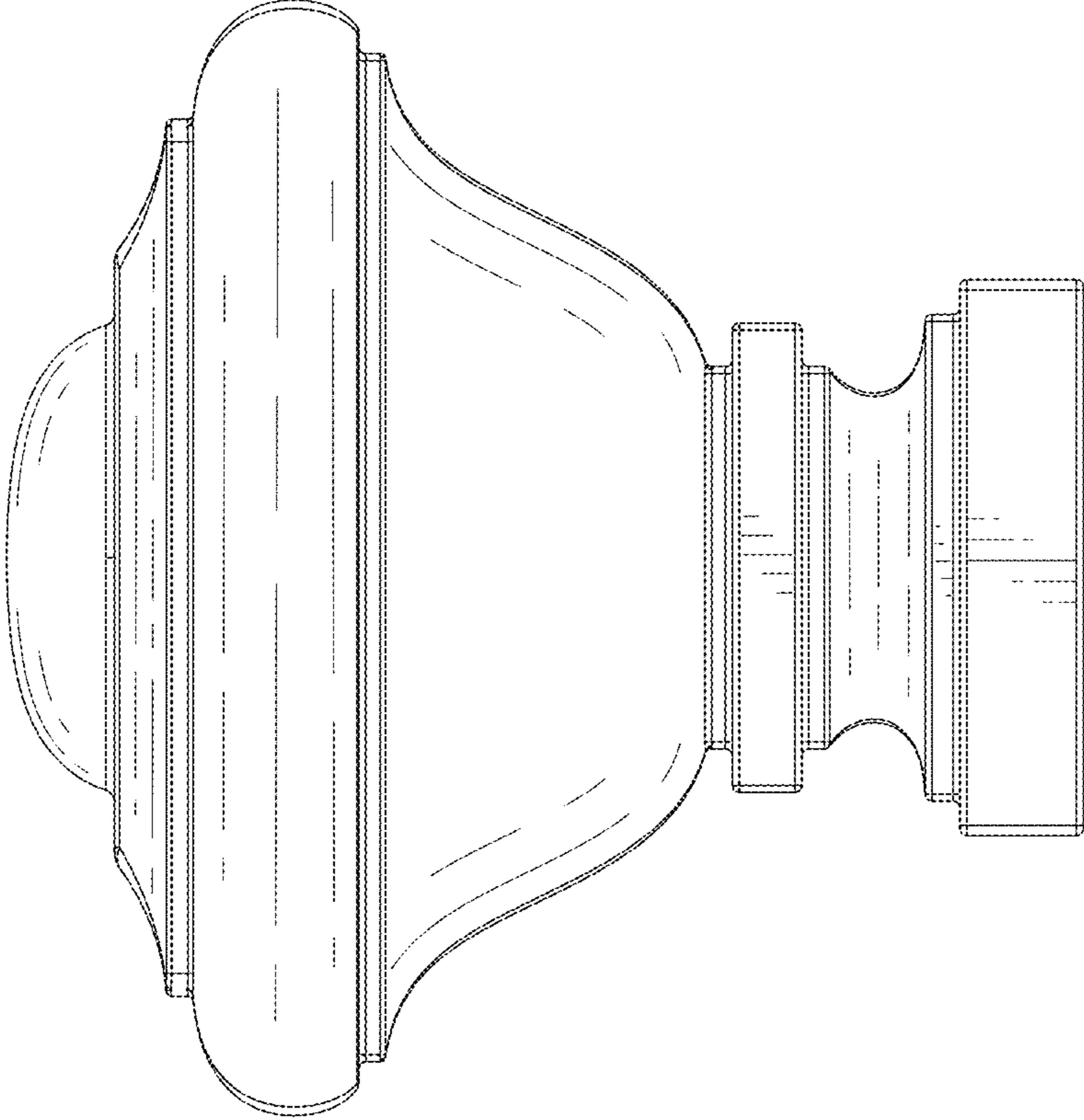


FIG. 2

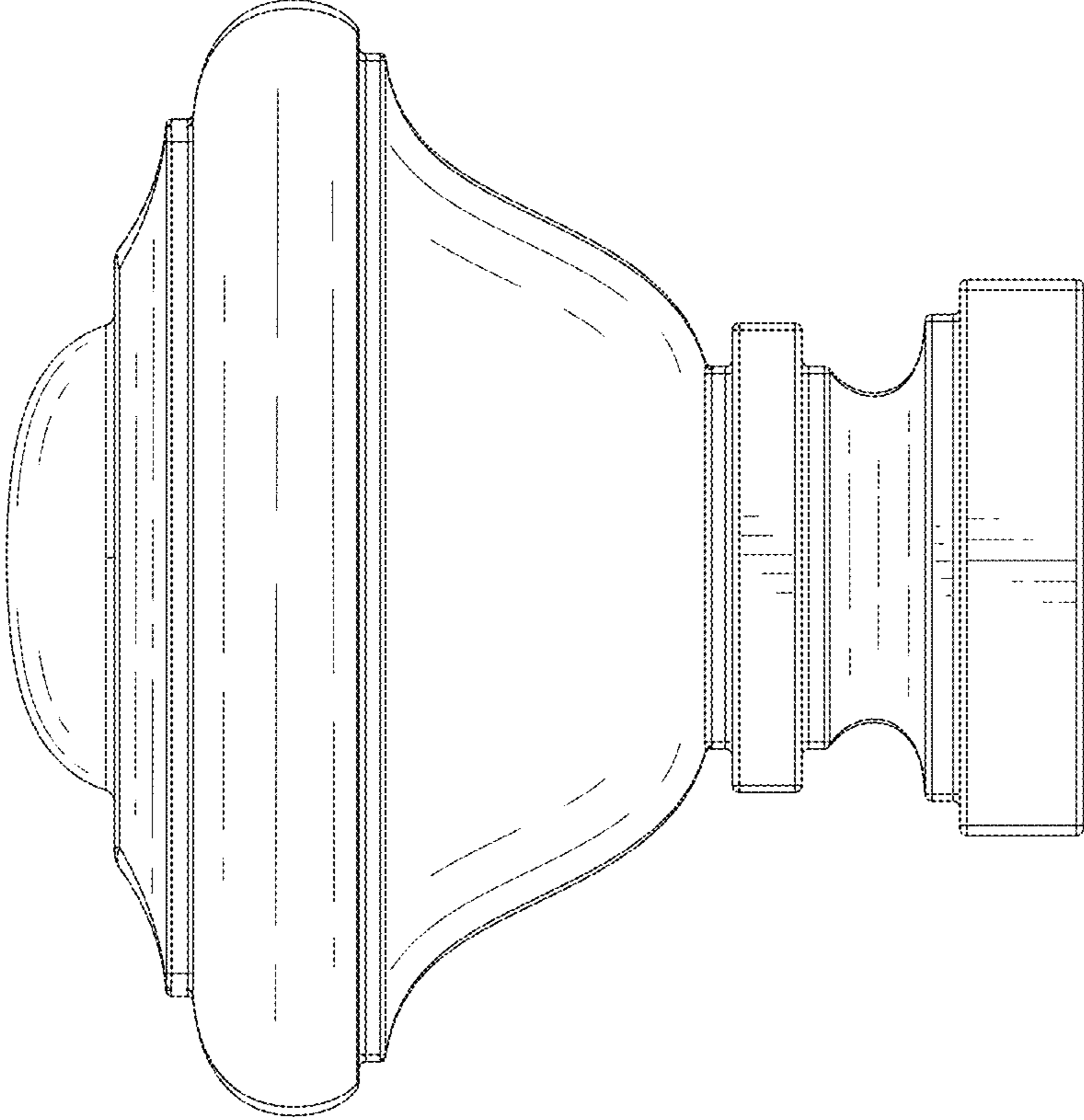


FIG. 3

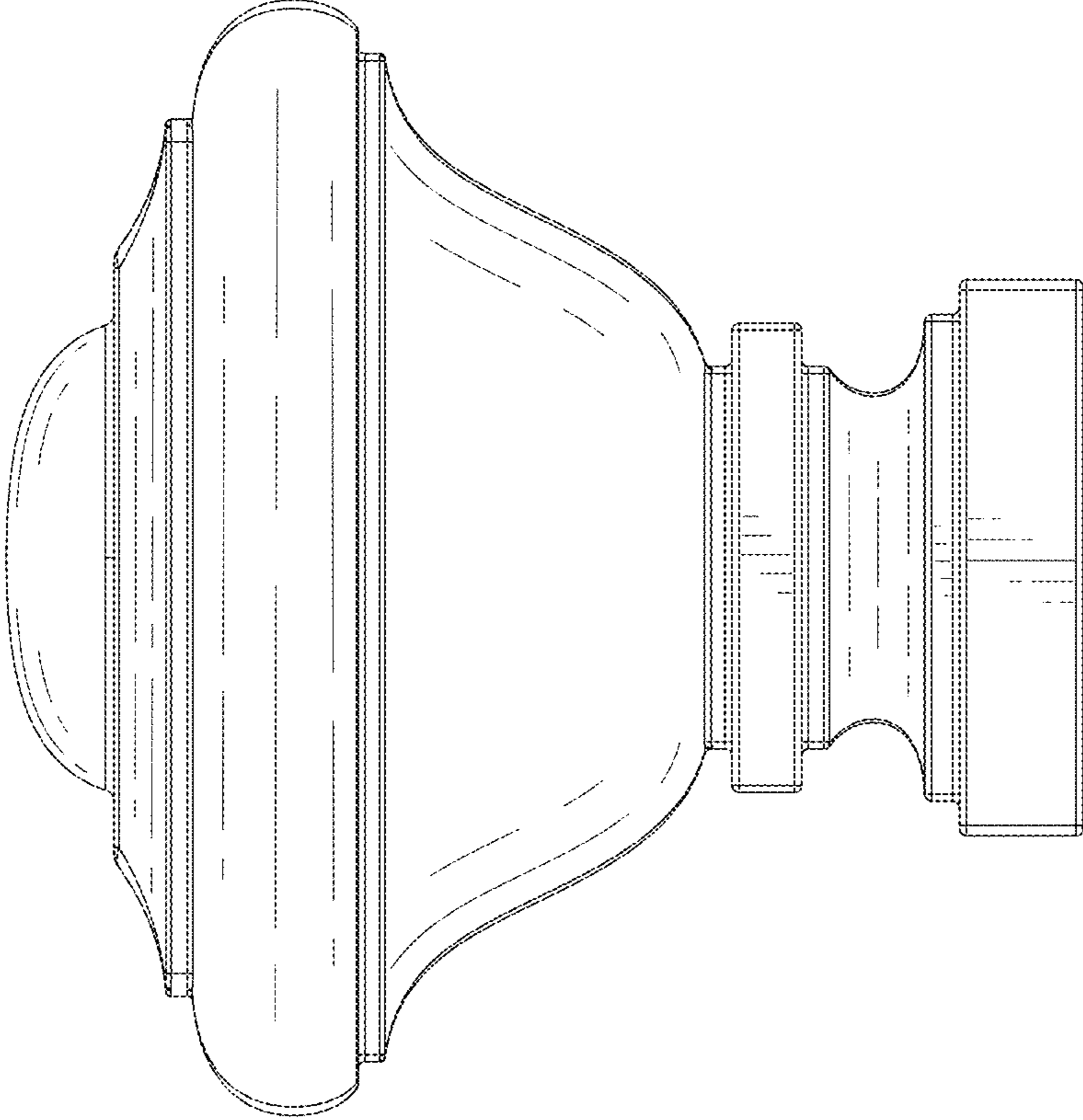


FIG. 4

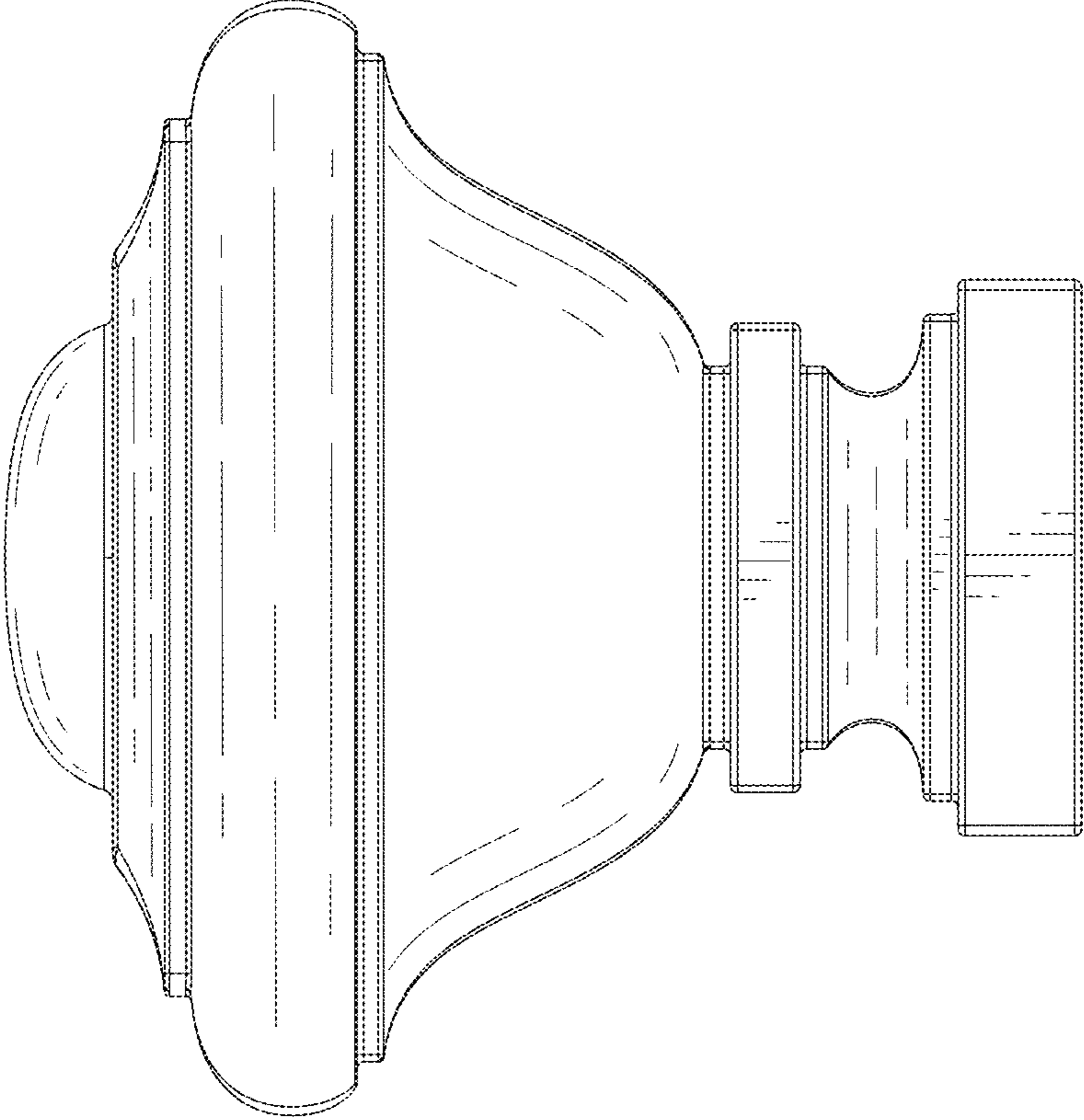


FIG. 5

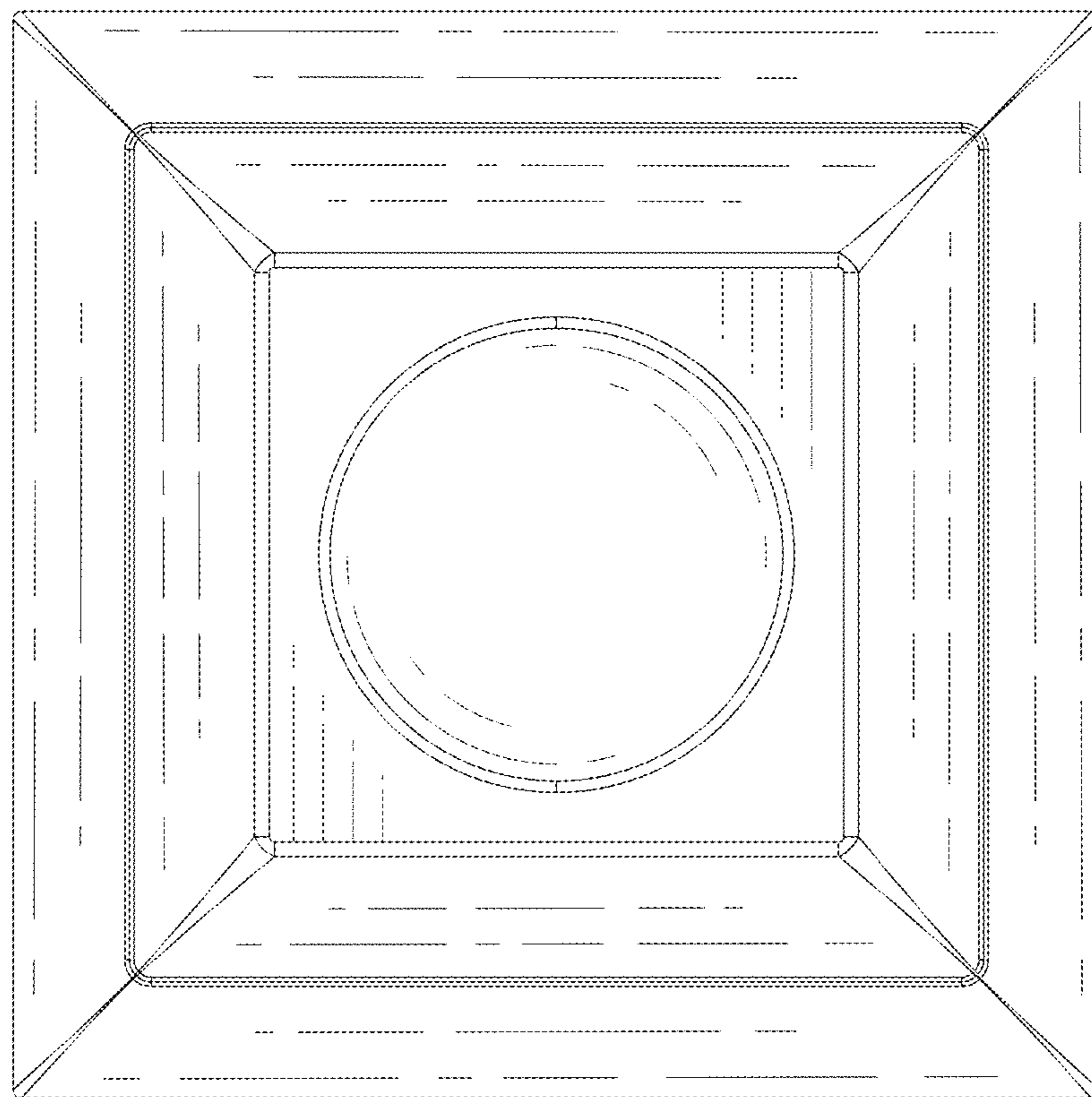


FIG. 6

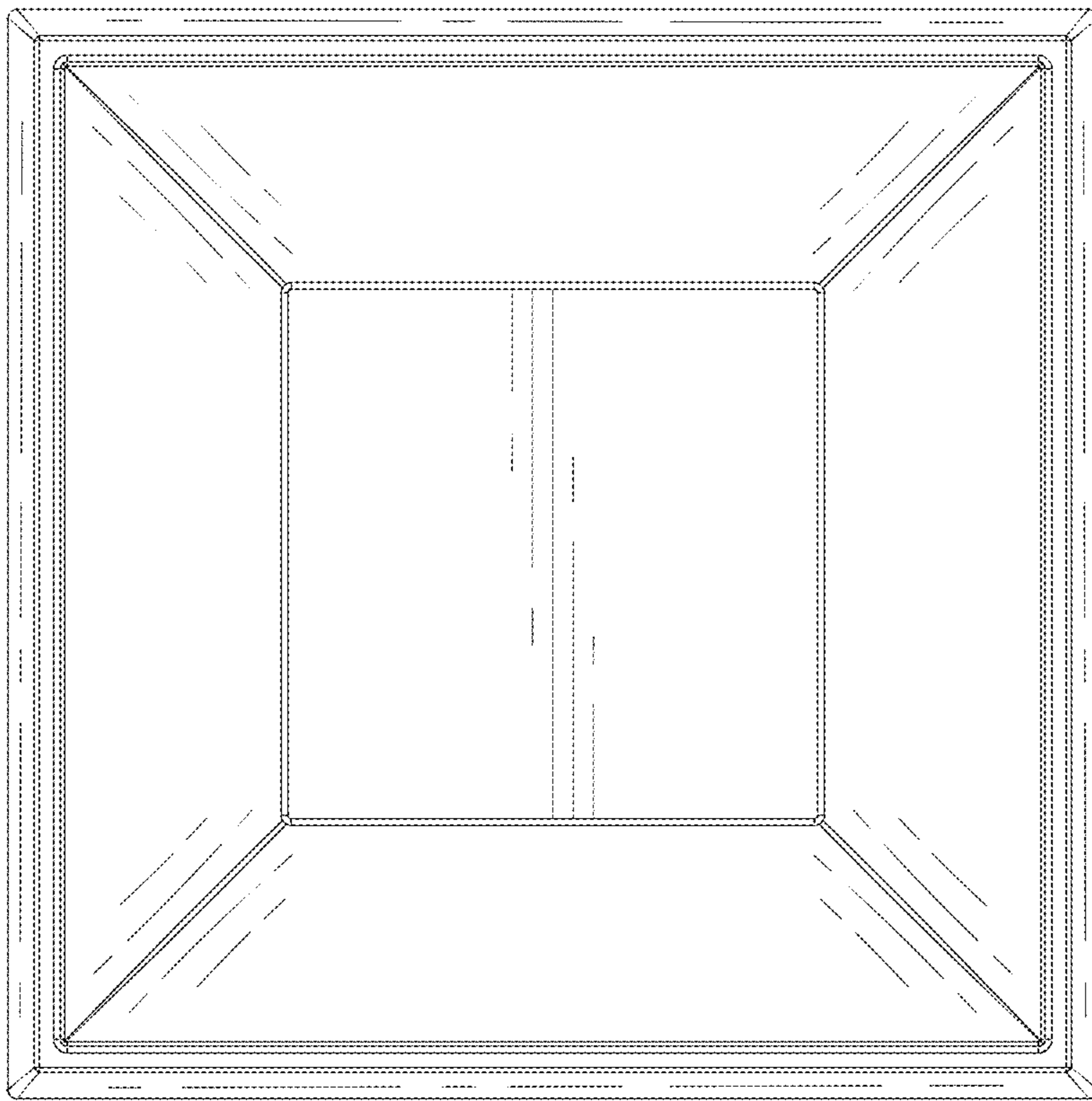


FIG. 7