



US00D970334S

(12) **United States Design Patent** (10) **Patent No.:** **US D970,334 S**
Xu (45) **Date of Patent:** **** Nov. 22, 2022**

(54) **FURNITURE LEG TIP**
(71) Applicant: **Guangzhou Weijia Technology Co., Ltd.**, Guangdong (CN)
(72) Inventor: **Junrong Xu**, Guangdong (CN)
(73) Assignee: **Guangzhou Weijia Technology Co., Ltd.**, Guangzhou (CN)
(**) Term: **15 Years**
(21) Appl. No.: **29/843,373**
(22) Filed: **Jun. 21, 2022**
(51) **LOC (13) Cl.** **08-11**
(52) **U.S. Cl.**
USPC **D8/374**; D8/308; D8/331
(58) **Field of Classification Search**
USPC D8/331, 338, 374, 308; D23/250, 252
CPC A47C 7/62; E05B 85/10; E05B 13/002;
E05B 1/0015; E05B 85/12; E05B
15/0086; E05B 77/265
See application file for complete search history.

(56) **References Cited**

U.S. PATENT DOCUMENTS

2,994,152 A * 8/1961 Jeromet A47B 91/04
135/77
D243,537 S * 3/1977 Wahl D14/155
D328,419 S * 8/1992 Brayford D8/402
D383,371 S * 9/1997 Doughty D8/310
6,626,405 B1 * 9/2003 Keast A47B 91/06
248/346.11
D497,307 S 10/2004 Heisey
D512,870 S * 12/2005 Rochon D6/610
D547,872 S * 7/2007 Davis D24/188
D549,013 S 8/2007 Dale
7,377,662 B1 * 5/2008 Bernstein A45B 3/04
135/910
D659,765 S * 5/2012 Taniguchi D21/333

D771,469 S * 11/2016 Zimmer D8/307
D772,685 S * 11/2016 Zimmer D8/307
10,420,396 B2 * 9/2019 Hwang A43B 21/42
D871,029 S * 12/2019 Hwang D2/915
2004/0051014 A1 * 3/2004 Keast A47B 91/06
248/188.9
2012/0068034 A1 * 3/2012 Desmarais B60B 33/0028
156/86

OTHER PUBLICATIONS

50 PCS 3/4 inch Round Chair Leg Tips, by CertBuy on Amazon.com. Dated Aug. 1, 2019. Found online [Aug. 16, 2022] <https://www.amazon.com/CBTONE-Anti-Slip-Rubber-Covers-Protectors/dp/B07X8G9GD6>.
Uxcell 4pcs Chair Leg Tips, by Uxcell on Amazon.com. Dated Jan. 14, 2019. Found online [Aug. 16, 2022] <https://www.amazon.com/uxcell-Furniture-Protector-Prevent-Scratches/dp/B07MCVHS6D>.

* cited by examiner

Primary Examiner — Marissa J Cash
Assistant Examiner — Kayla Marie Bennett

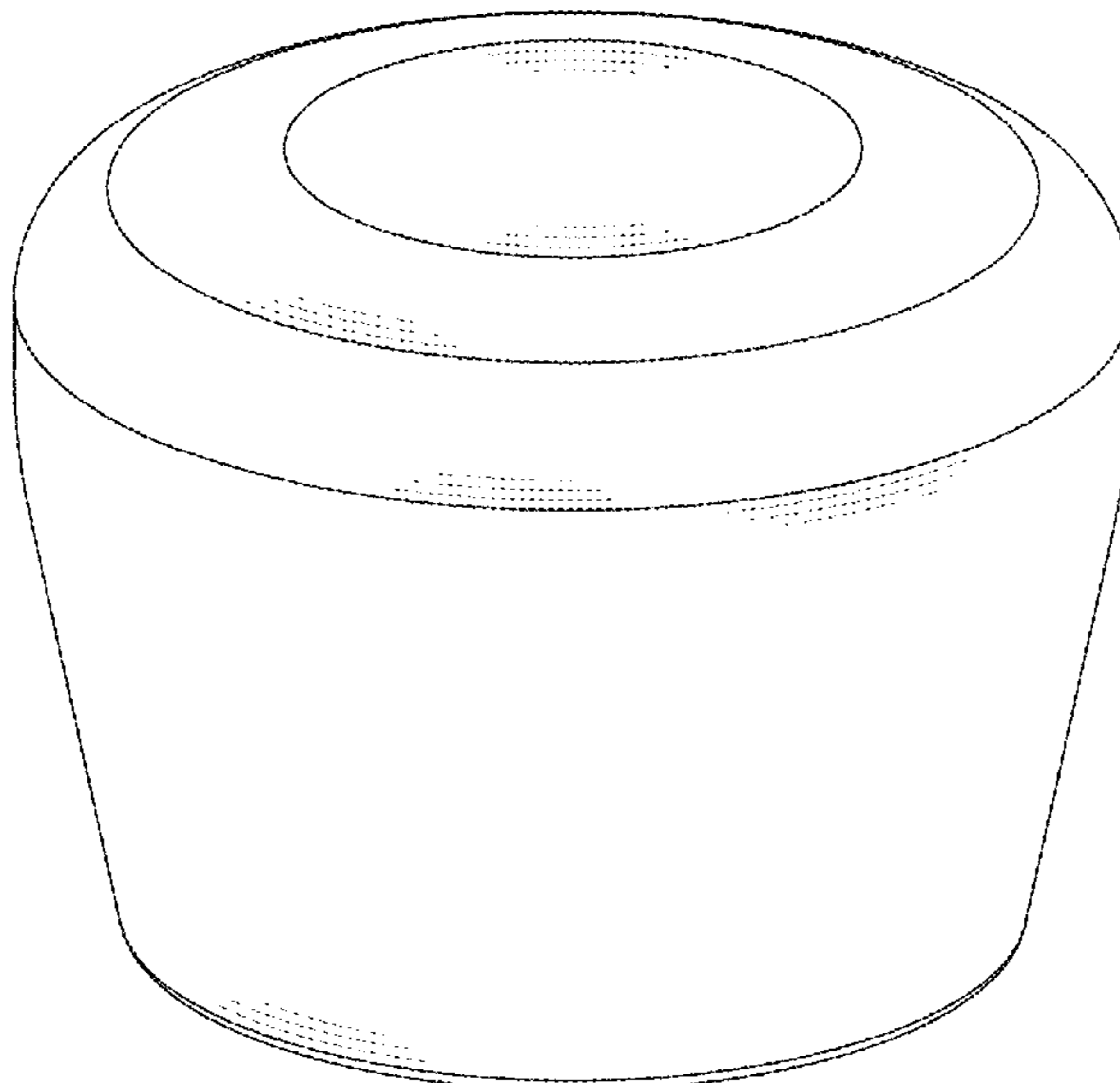
(57) **CLAIM**

The ornamental design for a furniture leg tip, substantially as shown and described.

DESCRIPTION

FIG. 1 is a top, front and right side perspective view of a furniture leg tip, showing my new design;
FIG. 2 is an alternative bottom, back and right side perspective view thereof;
FIG. 3 is a front view thereof;
FIG. 4 is a back view thereof;
FIG. 5 is a left view thereof;
FIG. 6 is a right view thereof;
FIG. 7 is a top view thereof; and,
FIG. 8 is a bottom view thereof.

1 Claim, 8 Drawing Sheets



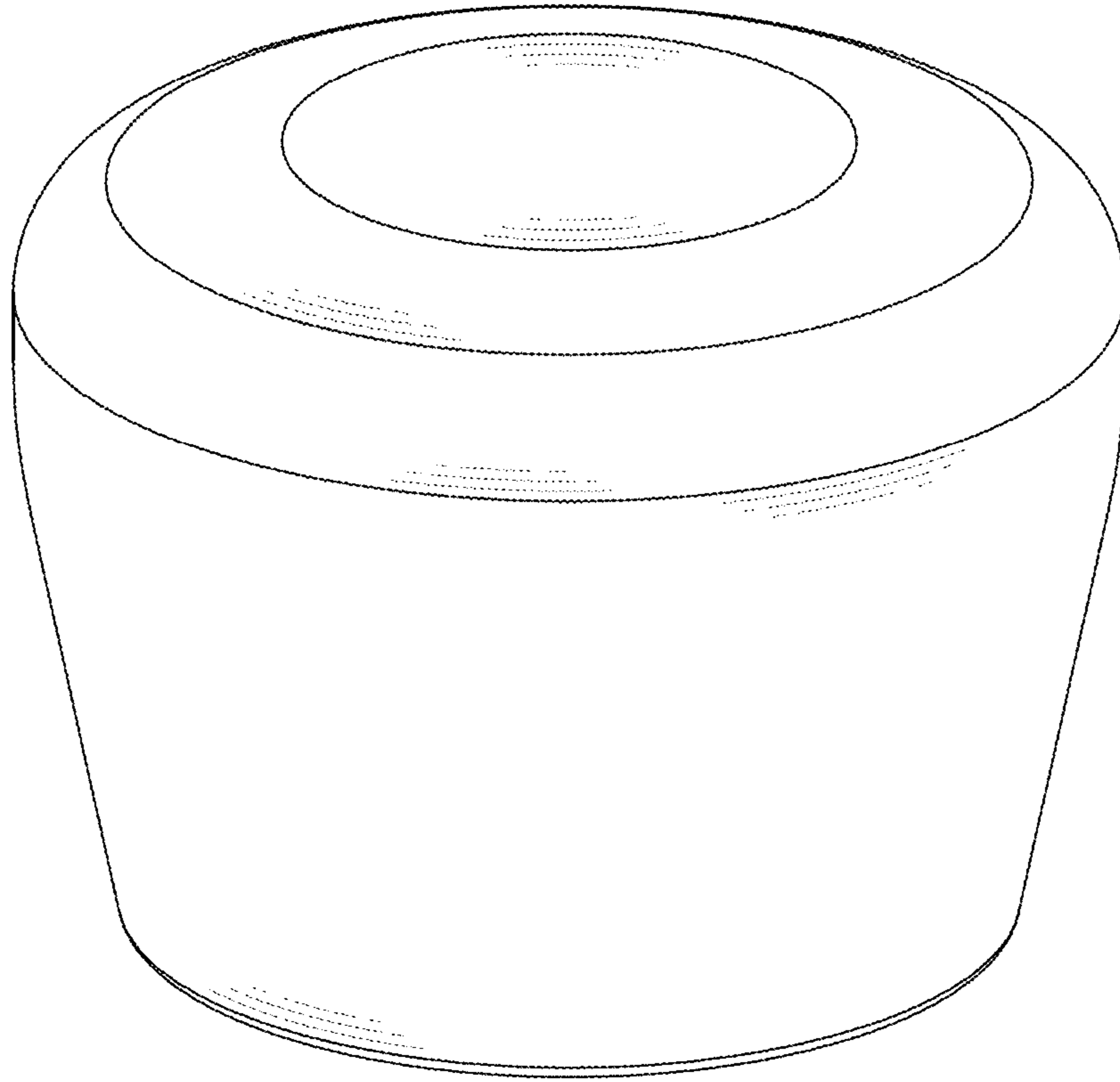


FIG. 1

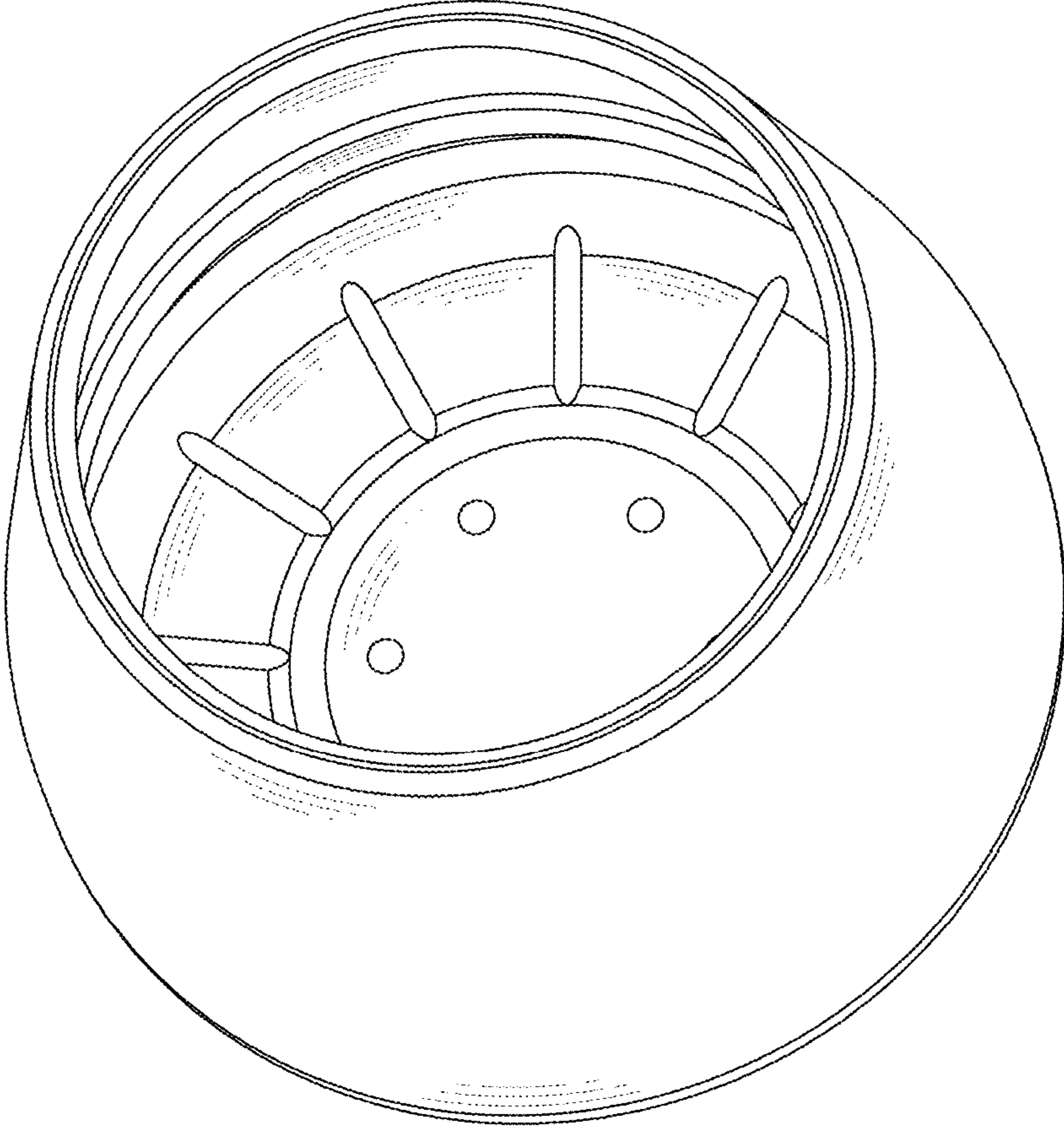


FIG. 2

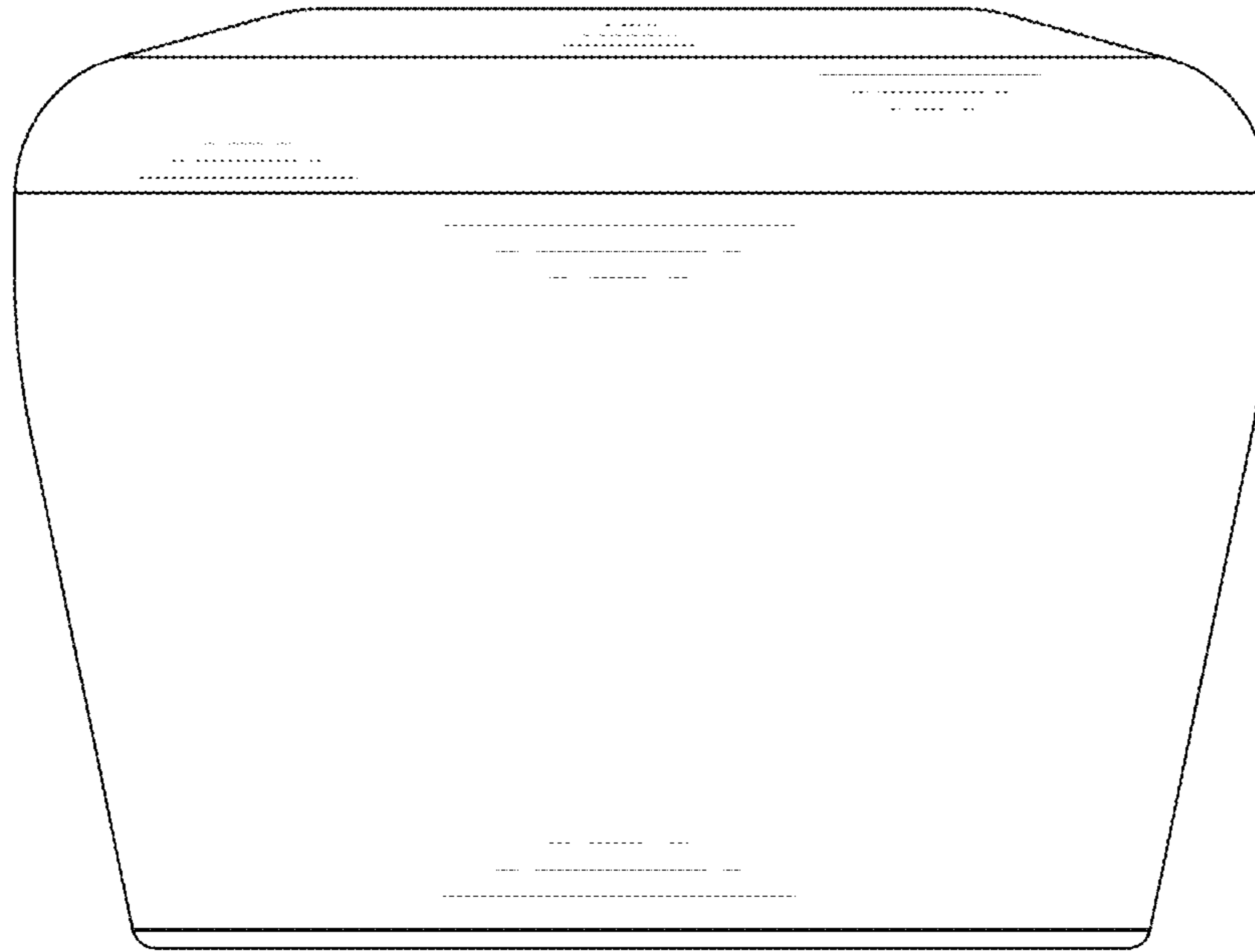


FIG. 3

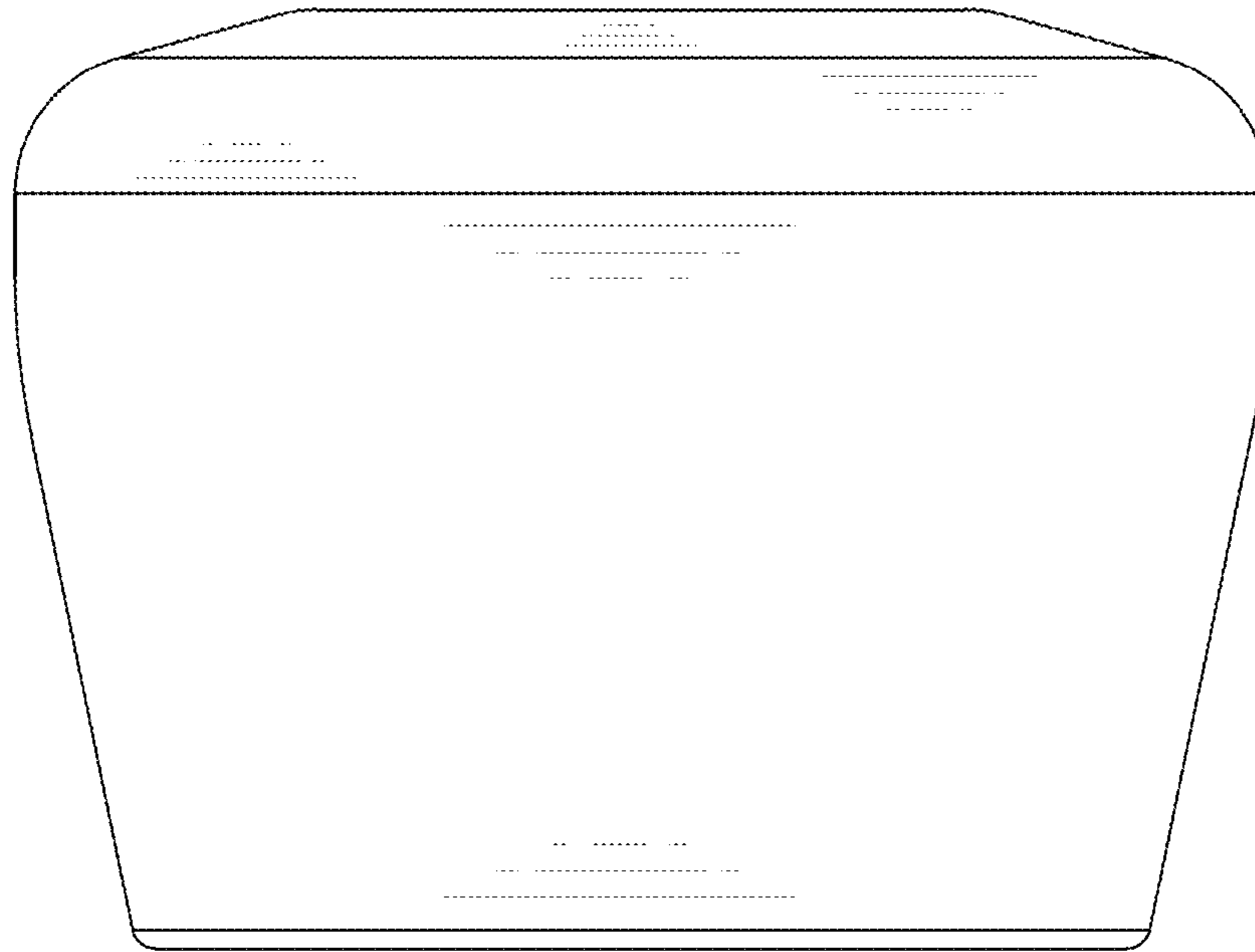


FIG. 4

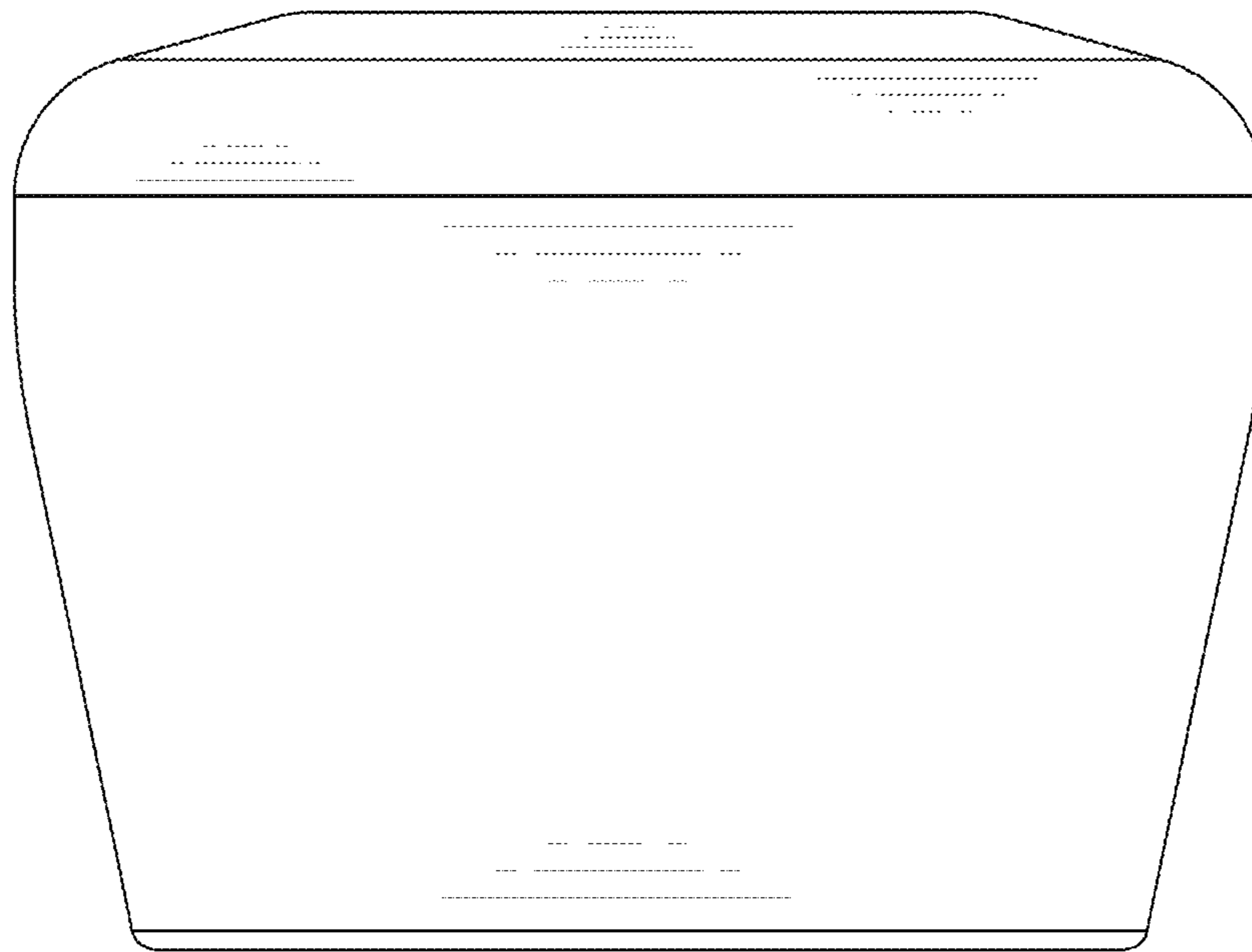


FIG. 5

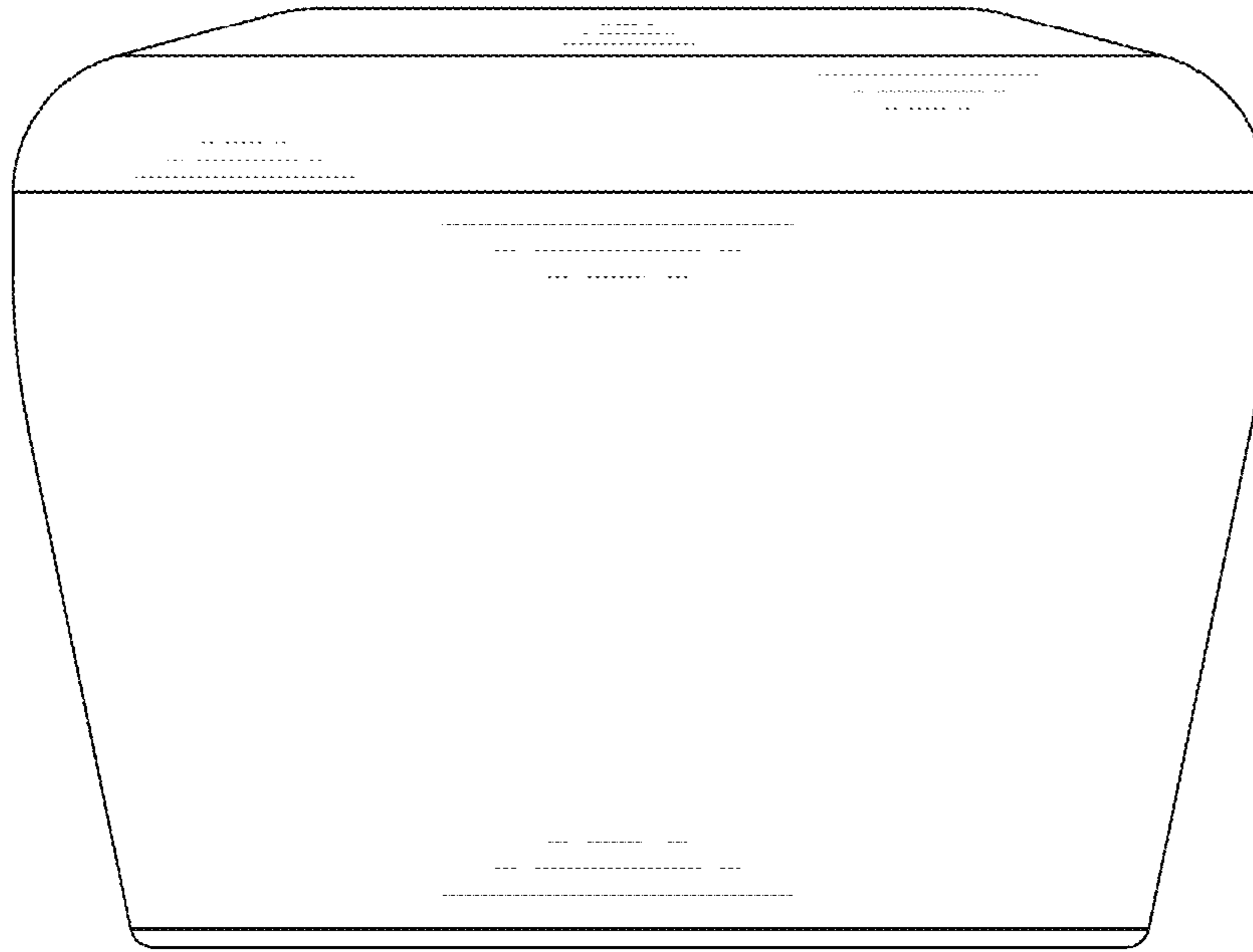


FIG. 6

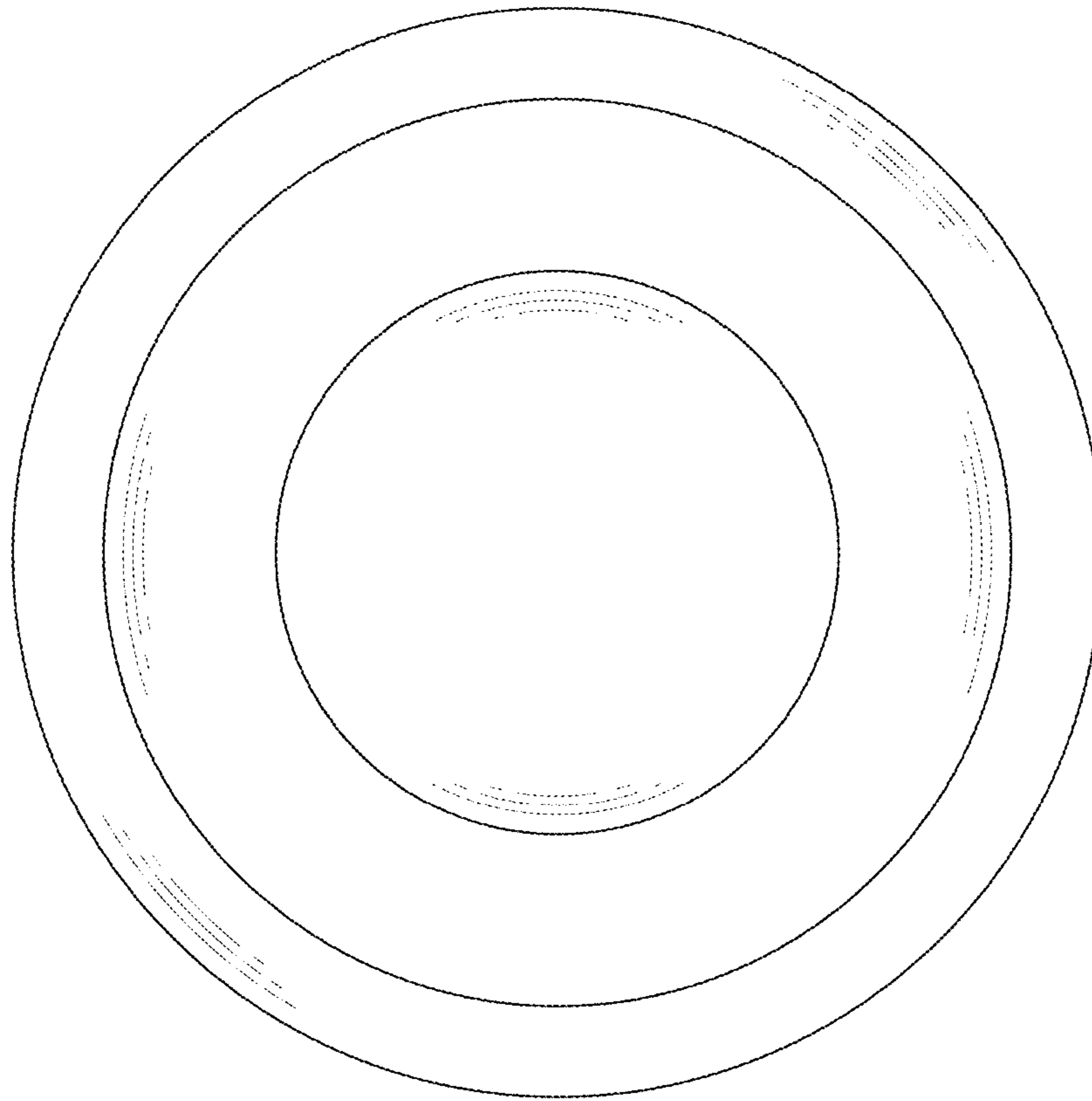


FIG. 7

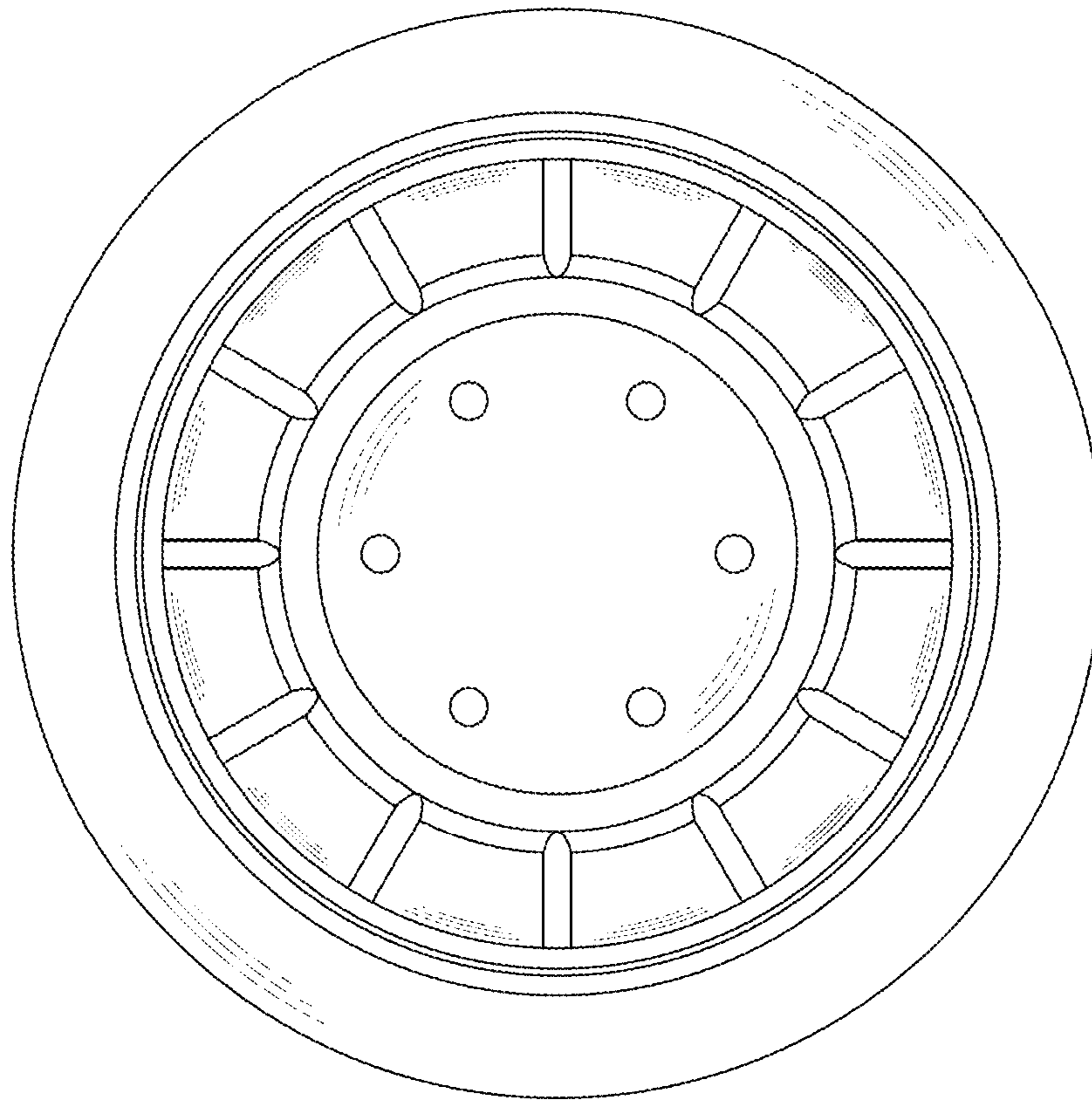


FIG. 8