



US00D970332S

(12) **United States Design Patent**  
**Xiaomeng**

(10) **Patent No.:** **US D970,332 S**

(45) **Date of Patent:** **\*\* Nov. 22, 2022**

- (54) **SAFETY LATCH ASSEMBLY**
- (71) Applicant: **Qingdao Hongmai Machinery Co., Ltd.**, Qingdao (CN)
- (72) Inventor: **Tao Xiaomeng**, Pingdu (CN)
- (\*\*) Term: **15 Years**
- (21) Appl. No.: **29/830,520**
- (22) Filed: **Mar. 14, 2022**
- (51) **LOC (13) Cl.** ..... **08-11**
- (52) **U.S. Cl.**  
USPC ..... **D8/367**
- (58) **Field of Classification Search**  
USPC ..... D8/367, 354, 349, 356; D12/162;  
224/248, 268, 904; 248/62  
CPC .... A47G 29/083; F16B 45/00; A63B 21/0557  
See application file for complete search history.

D726,526 S *	4/2015	Veilleux .....	D8/367
D736,070 S *	8/2015	Kaneko .....	D8/367
D749,938 S	2/2016	Norpoth .....	
D758,172 S	6/2016	Hung .....	
D765,497 S	9/2016	Petzl .....	
D778,144 S	2/2017	Alan et al. ....	
D798,130 S *	9/2017	Chi .....	D8/367
D801,156 S	10/2017	Hung .....	
D832,156 S *	10/2018	Johns .....	D12/162
D855,499 S *	8/2019	Siegel .....	D12/162
D893,122 S	8/2020	Lawrence et al. ....	
2010/0102193 A1 *	4/2010	Lindner .....	B62B 5/00 248/207

\* cited by examiner

*Primary Examiner* — Cynthia R Underwood

(74) *Attorney, Agent, or Firm* — Rumit Ranjit Kanakia

(57) **CLAIM**

The ornamental design for a safety latch assembly, as shown and described.

**DESCRIPTION**

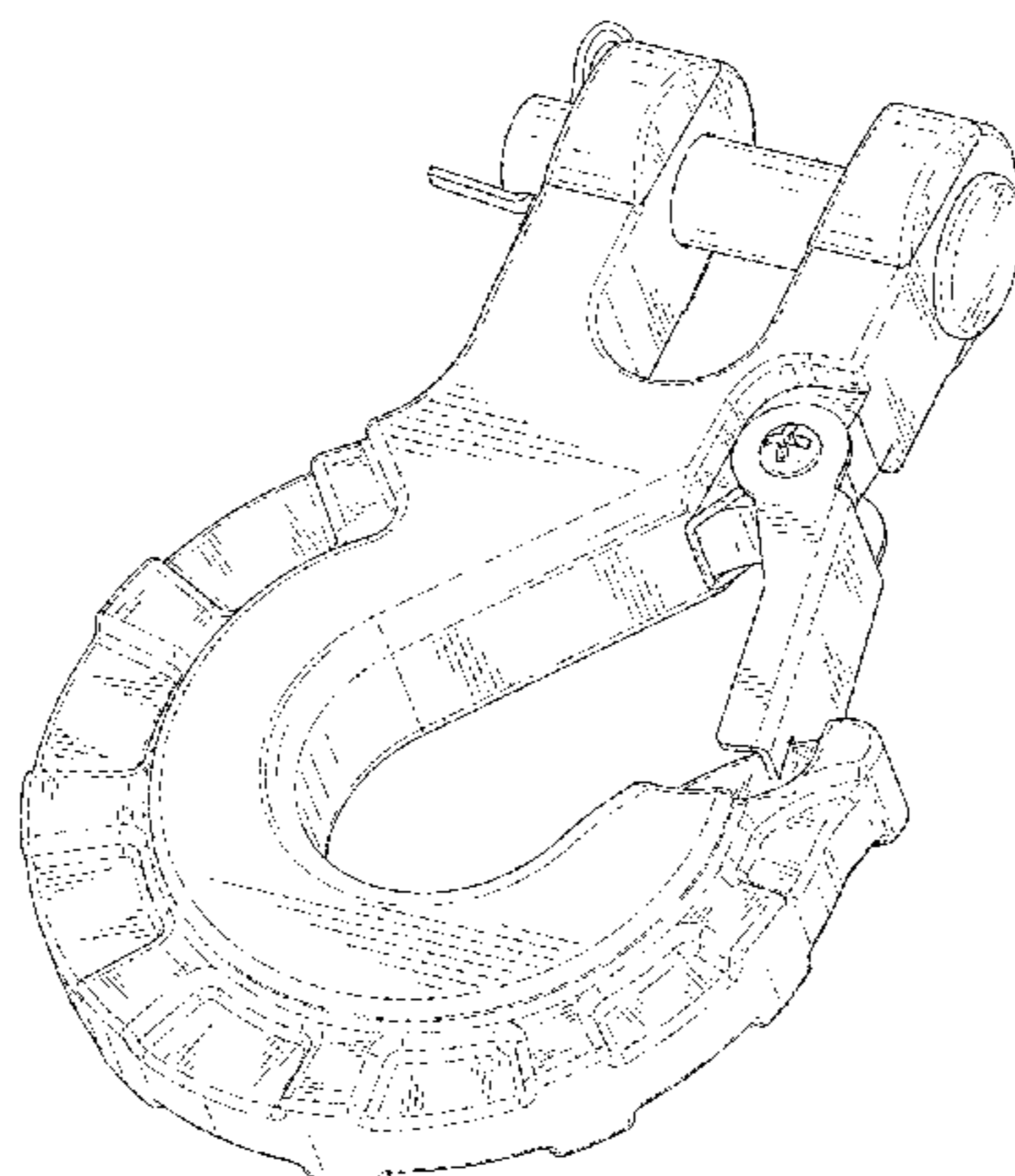
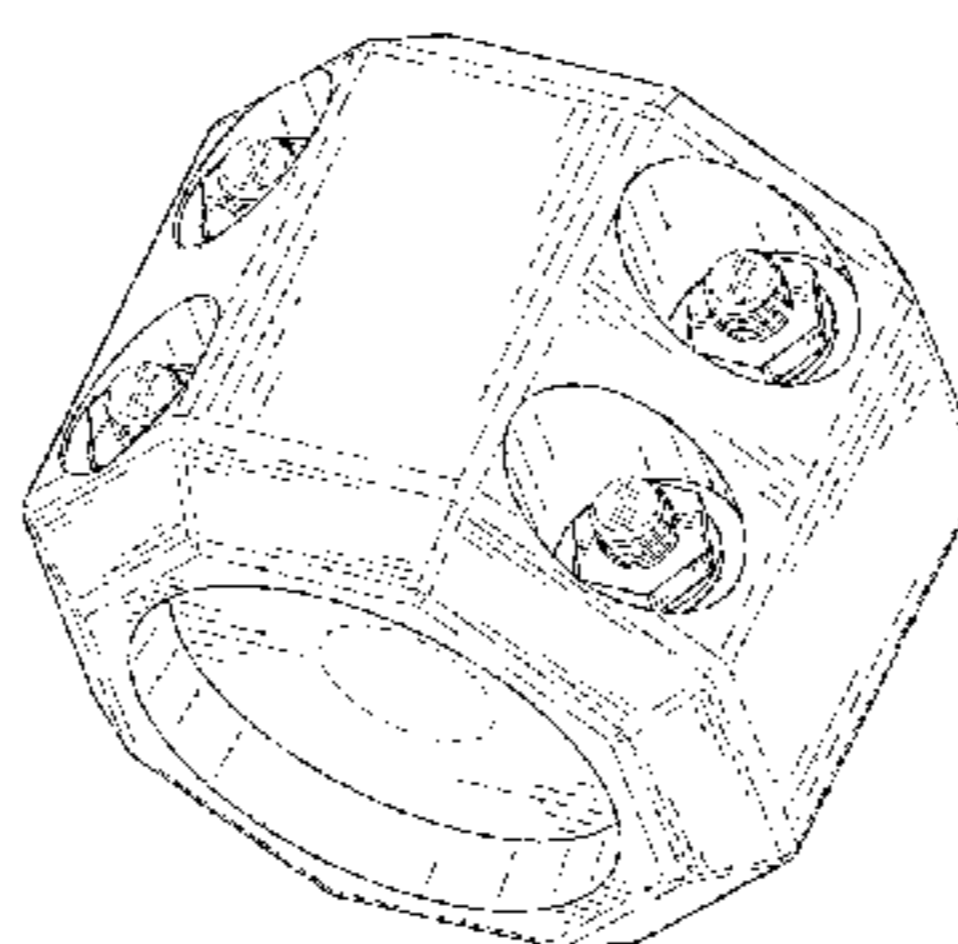
FIG. 1 is a front perspective view of a safety latch assembly showing my new design;  
 FIG. 2 is a back perspective view thereof;  
 FIG. 3 is a front view thereof;  
 FIG. 4 is a back view thereof;  
 FIG. 5 is a left-side view thereof;  
 FIG. 6 is a right-side view thereof.  
 FIG. 7 is a top view thereof; and,  
 FIG. 8 is a bottom view thereof.  
 The broken lines in the drawings depict portions of the safety latch assembly that form no part of the claimed design.

(56) **References Cited**

**U.S. PATENT DOCUMENTS**

5,692,270 A *	12/1997	Dunn .....	B66C 1/125 24/116 R
6,568,165 B2 *	5/2003	Smetz .....	B66C 1/125 24/116 R
6,941,622 B1 *	9/2005	Hung .....	F16G 15/00 24/599.6
D556,550 S *	12/2007	Hung .....	D8/367
8,490,378 B2 *	7/2013	Smetz .....	F16G 17/00 24/116 R
8,602,468 B2 *	12/2013	Kutsen .....	B66C 1/125 294/82.17
D699,098 S *	2/2014	Fretz .....	D8/367
8,789,248 B2 *	7/2014	McKay .....	F16B 45/02 24/599.6

**1 Claim, 8 Drawing Sheets**



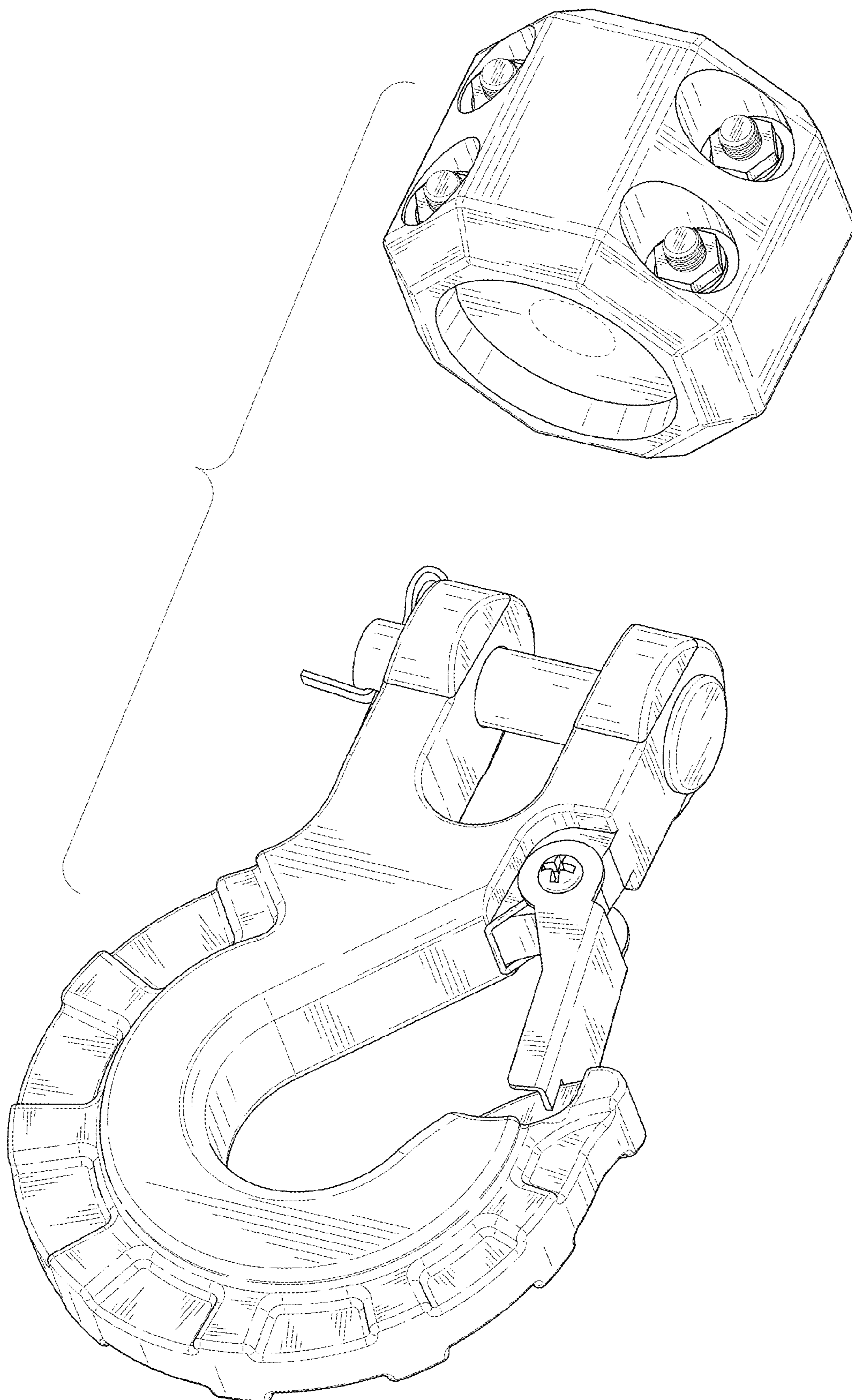


FIG. 1

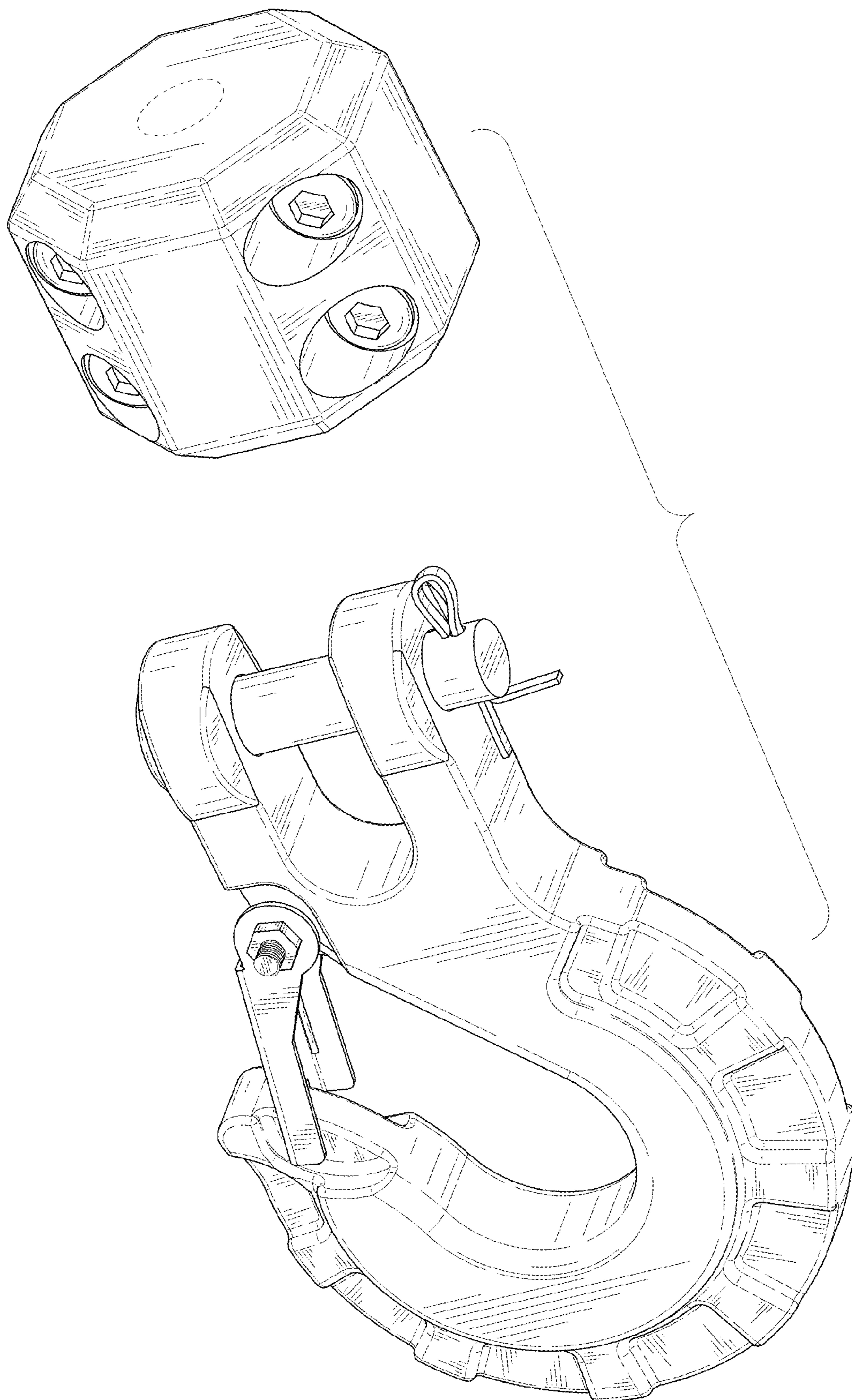


FIG. 2

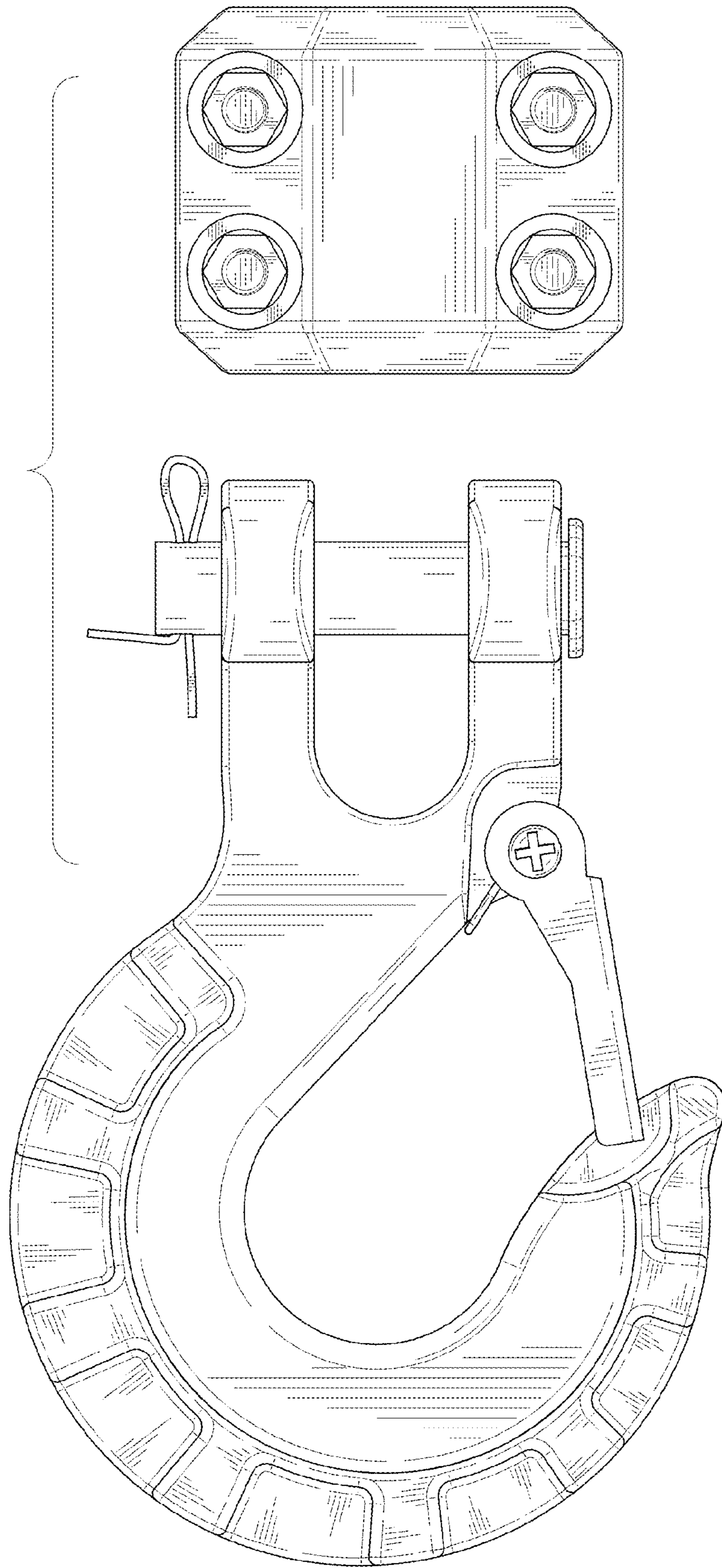


FIG. 3

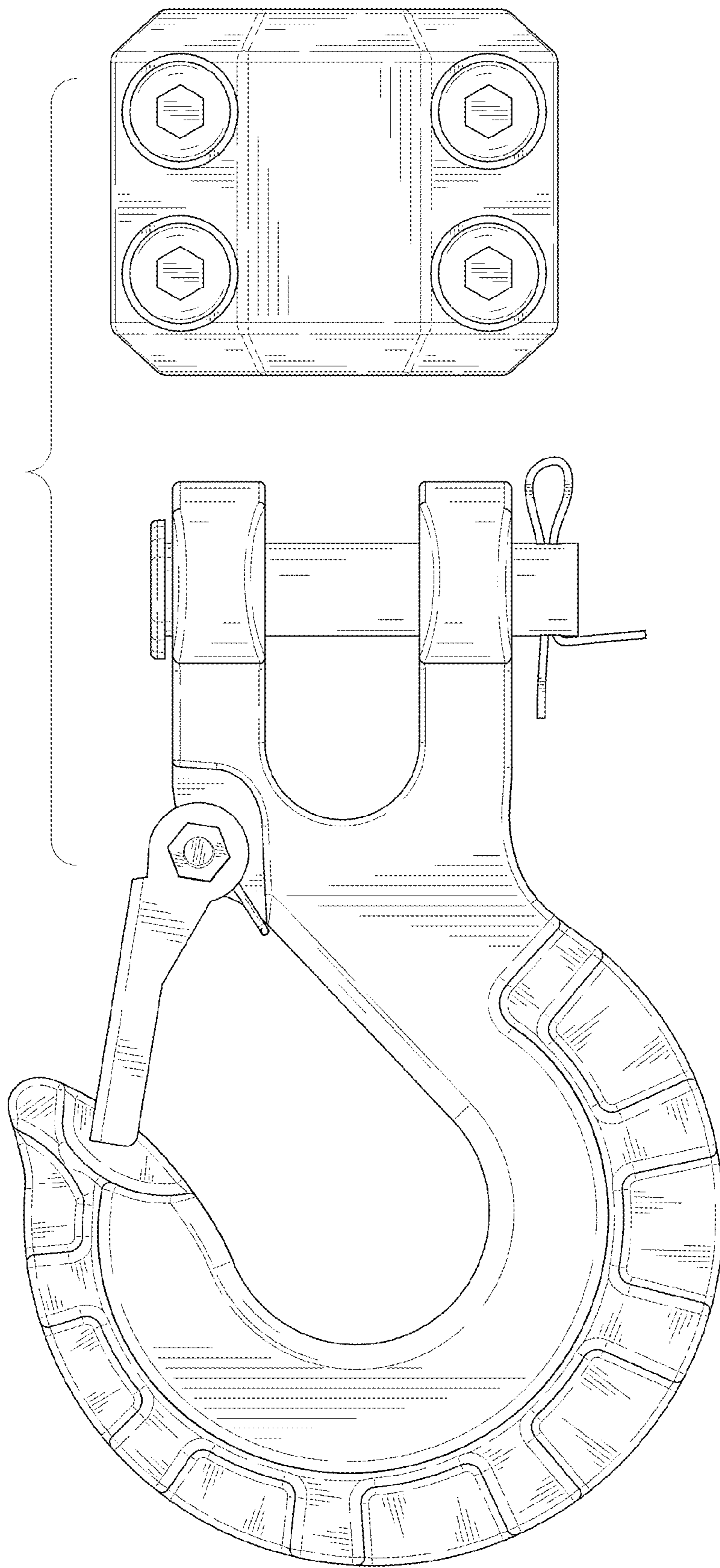


FIG. 4

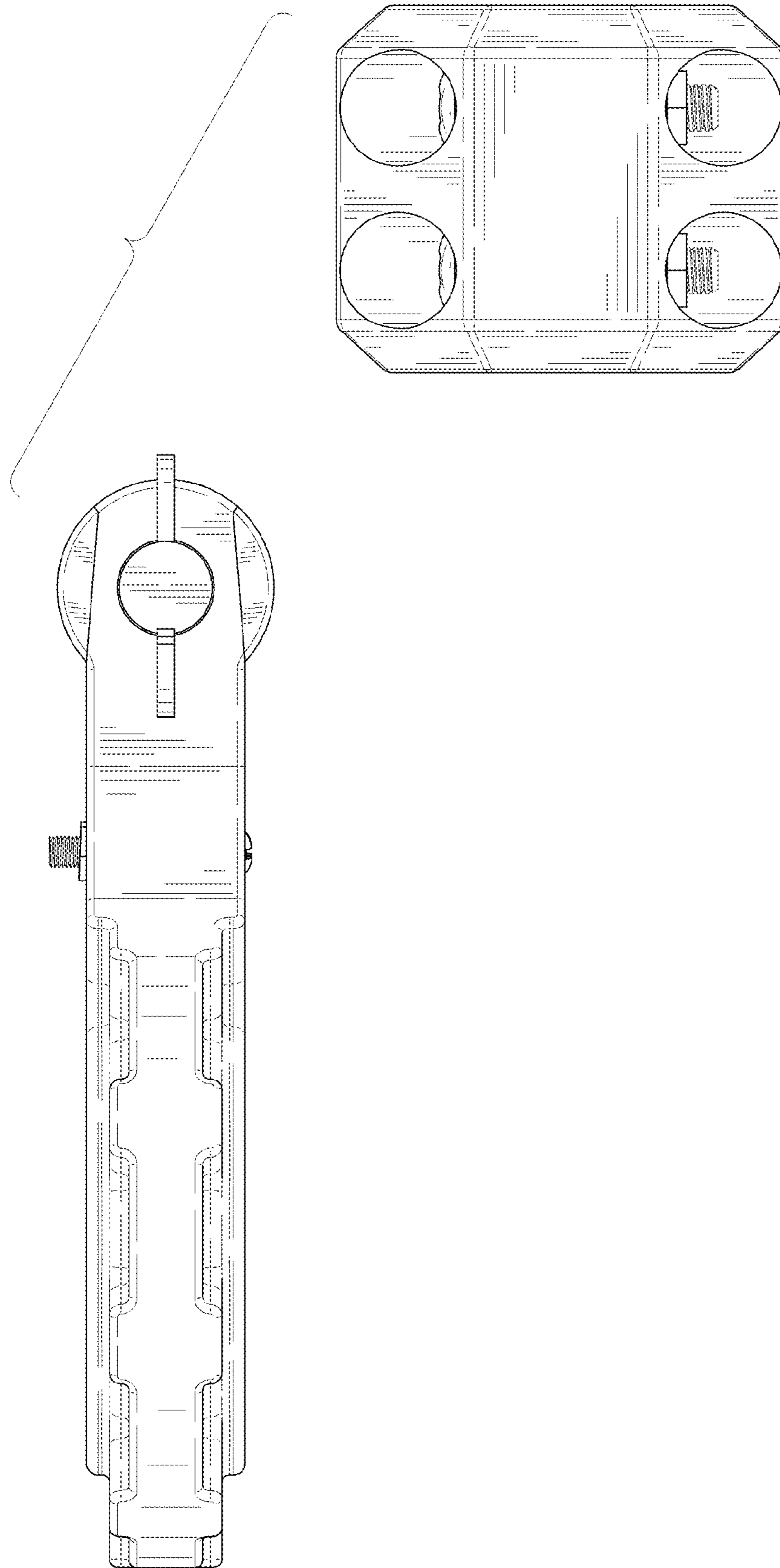


FIG. 5

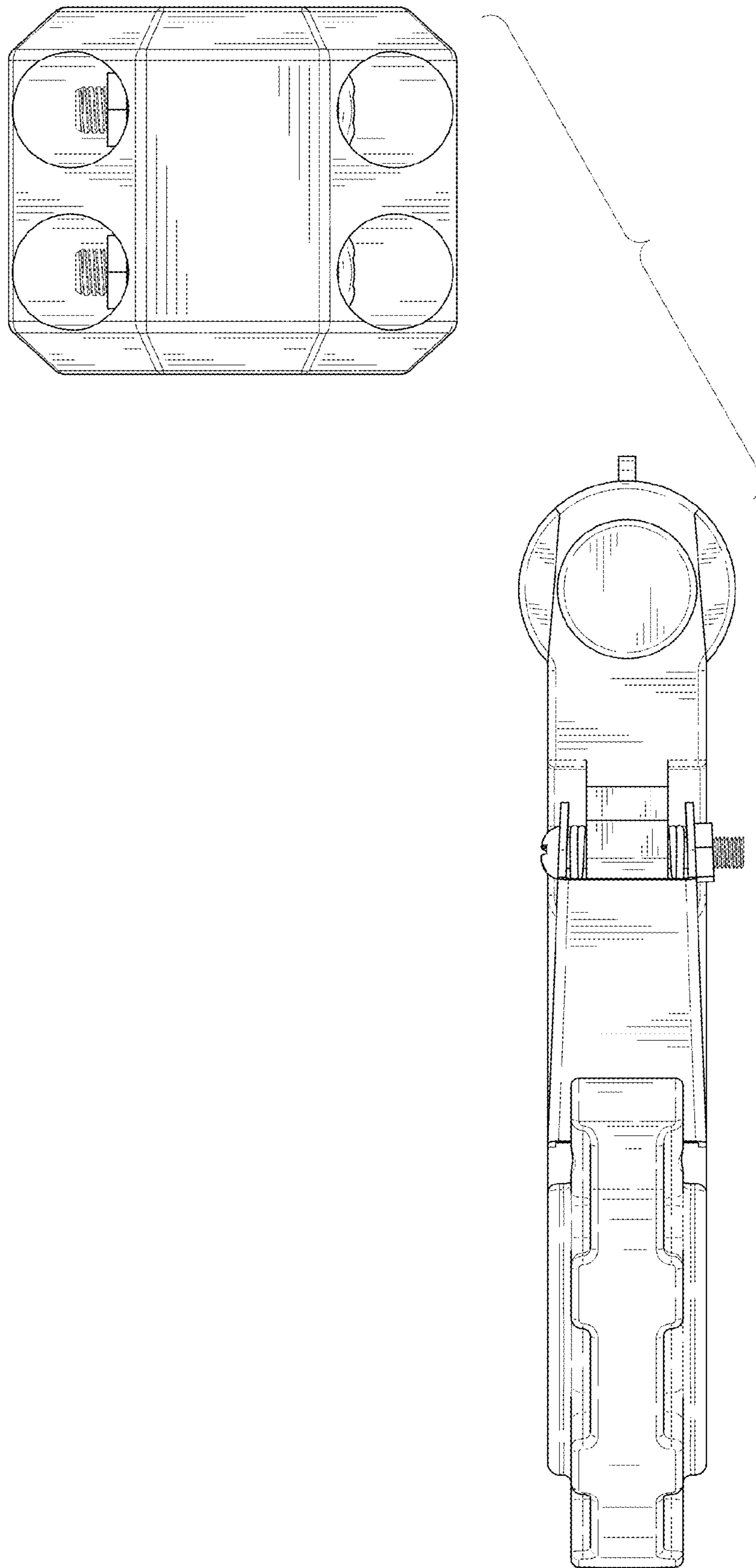


FIG. 6

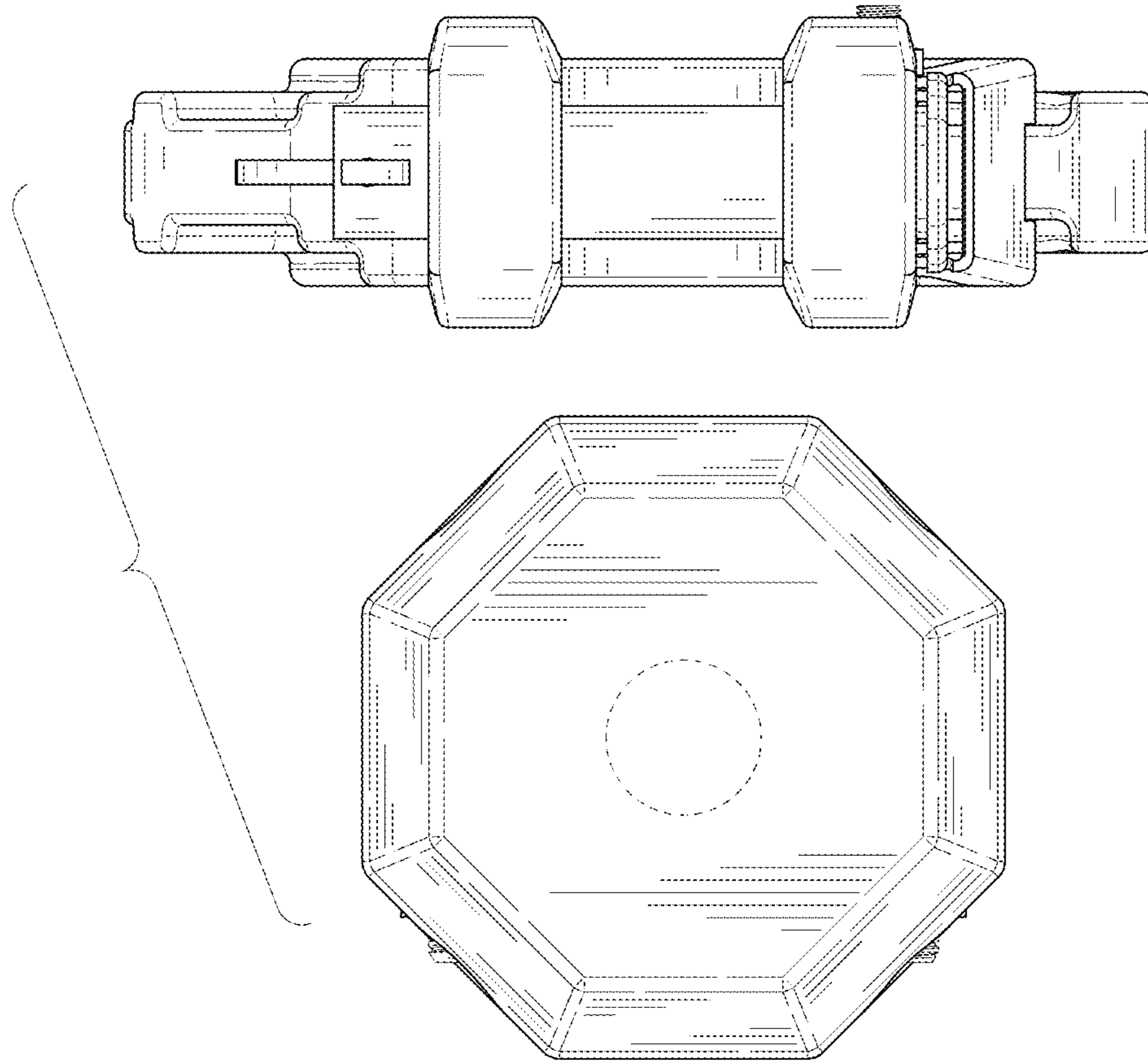


FIG. 7



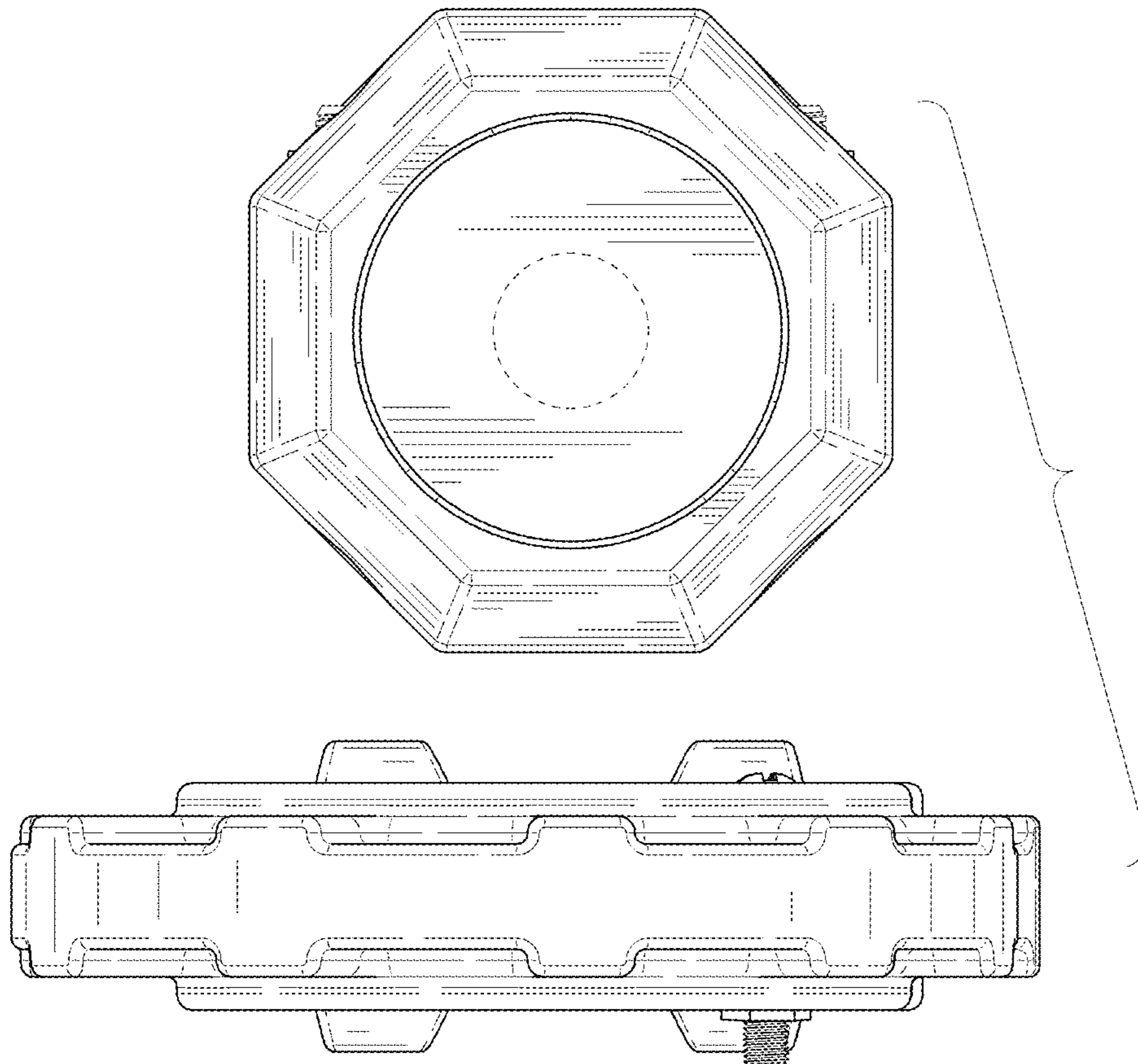


FIG. 8