



US00D970327S

(12) **United States Design Patent** (10) **Patent No.:** **US D970,327 S**  
**Sun** (45) **Date of Patent:** **\*\* Nov. 22, 2022**

(54) **HACKSAW FRAME**  
(71) Applicant: **Guoqiao Sun**, Zhejiang (CN)  
(72) Inventor: **Guoqiao Sun**, Zhejiang (CN)  
(\*\*) Term: **15 Years**  
(21) Appl. No.: **29/838,007**  
(22) Filed: **May 10, 2022**

D397,281 S \* 8/1998 Hsu ..... D8/95  
D519,816 S \* 5/2006 Budrow ..... D8/95  
D575,131 S \* 8/2008 Cheng ..... D8/107

(Continued)

*Primary Examiner* — Messina L Smith  
*Assistant Examiner* — Kayla Marie Bennett  
(74) *Attorney, Agent, or Firm* — ScienBiziP, P.C.

(30) **Foreign Application Priority Data**

Apr. 19, 2022 (CN) ..... 202230221000.X

(51) **LOC (13) Cl.** ..... **08-03**

(52) **U.S. Cl.**  
USPC ..... **D8/97**; D8/60; D8/61

(58) **Field of Classification Search**  
USPC ..... D8/1, 60, 97, 61, 107, 11, 57, 26;  
D15/28, 127  
CPC ..... B27B 21/02; B27B 21/00; B27B 21/04;  
B27B 21/06; B27B 21/08; B27B 23/00;  
B27B 31/00; B27B 31/003; B27B 13/02;  
B27B 33/10; B27L 7/00; B27L 5/06;  
B23B 3/26; B23B 5/14; B23B 5/08  
See application file for complete search history.

(56) **References Cited**

**U.S. PATENT DOCUMENTS**

1,729,092 A \* 9/1929 Aubin ..... B23D 49/11  
30/505  
1,972,566 A \* 9/1934 Laemmel ..... B23D 51/14  
30/507  
D162,794 S \* 4/1951 Derr ..... D8/DIG. 3  
2,642,100 A \* 6/1953 Quirke ..... B27B 17/0008  
30/340  
D260,072 S \* 8/1981 Covey ..... D8/97  
D267,225 S \* 12/1982 Shimizu ..... D8/95  
D324,476 S \* 3/1992 King, III ..... D8/107  
D359,672 S \* 6/1995 Gardiner ..... D8/97

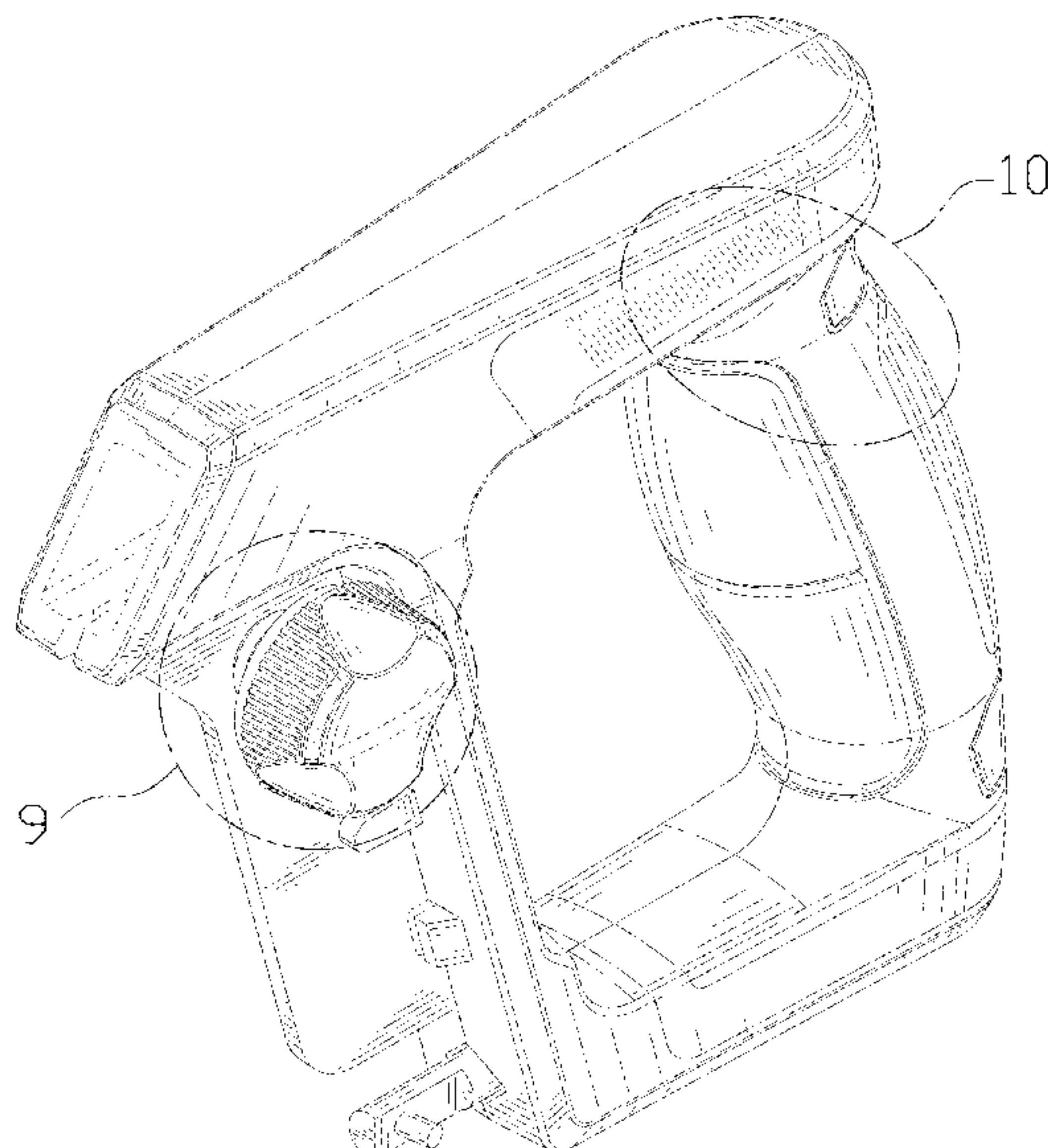
(57) **CLAIM**

The ornamental design for a hacksaw frame, as shown and described.

**DESCRIPTION**

FIG. 1 is a front, right and top perspective view of a hacksaw frame, showing my design.  
FIG. 2 is a rear, left and bottom perspective view thereof.  
FIG. 3 is a front elevation view thereof.  
FIG. 4 is a rear elevation view thereof.  
FIG. 5 is a left side elevation view thereof.  
FIG. 6 is a right side elevation view thereof.  
FIG. 7 is a top plan view thereof.  
FIG. 8 is a bottom plan view thereof.  
FIG. 9 is a partial enlarged view of an area labeled 9 in FIG. 1.  
FIG. 10 is a partial enlarged view of an area labeled 10 in FIG. 1.  
FIG. 11 is a top perspective view thereof, shown in an environment of use;  
FIG. 12 is a top perspective view thereof, shown in an alternate environment of use; and,  
FIG. 13 is a top perspective view thereof, shown in an additional alternate environment of use.  
The evenly-spaced broken lines shown in FIGS. 1-13 illustrate portions of the hacksaw frame that form no part of the claimed design; The additional evenly-spaced broken lines shown in FIGS. 11-13 are for environmental purposes and form no part of the claimed design; the dot-dash broken lines surrounding the detail views shown in FIGS. 1, 9 and 10 are for annotative purposes only and form no part thereof.

**1 Claim, 13 Drawing Sheets**



(56)

**References Cited**

U.S. PATENT DOCUMENTS

D605,923 S \* 12/2009 Jones ..... D8/95  
D633,360 S 3/2011 Shih  
D645,330 S \* 9/2011 Jones ..... D8/95  
D733,517 S \* 7/2015 Constantine ..... D8/107  
D754,505 S \* 4/2016 deBretton Gordon ..... D8/57  
D908,456 S \* 1/2021 Thorn ..... D8/95  
D932,862 S 10/2021 Sun  
D951,054 S \* 5/2022 Weber ..... D8/95  
2018/0099339 A1 \* 4/2018 Rowlay ..... B26B 1/042

\* cited by examiner

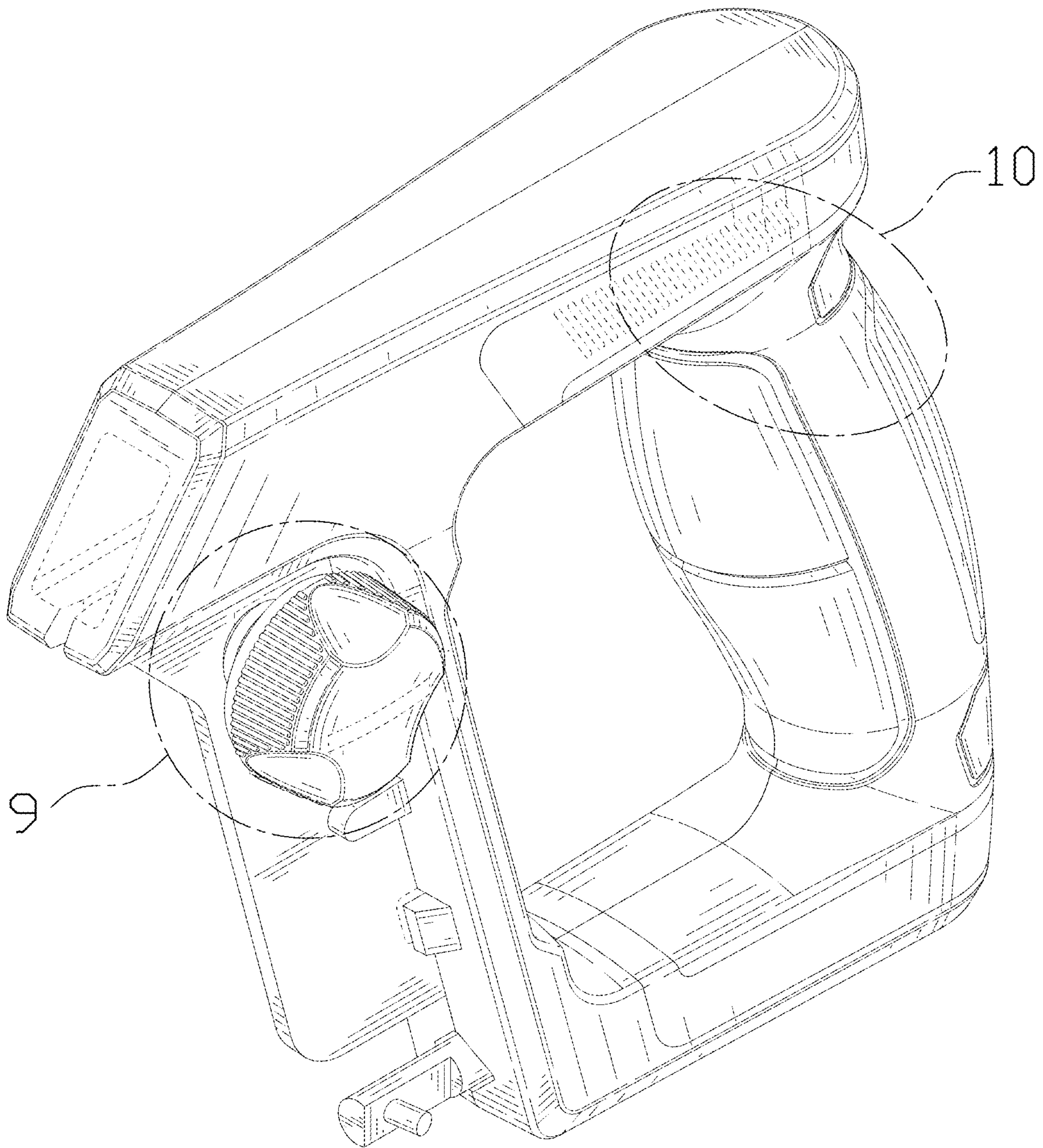


FIG. 1



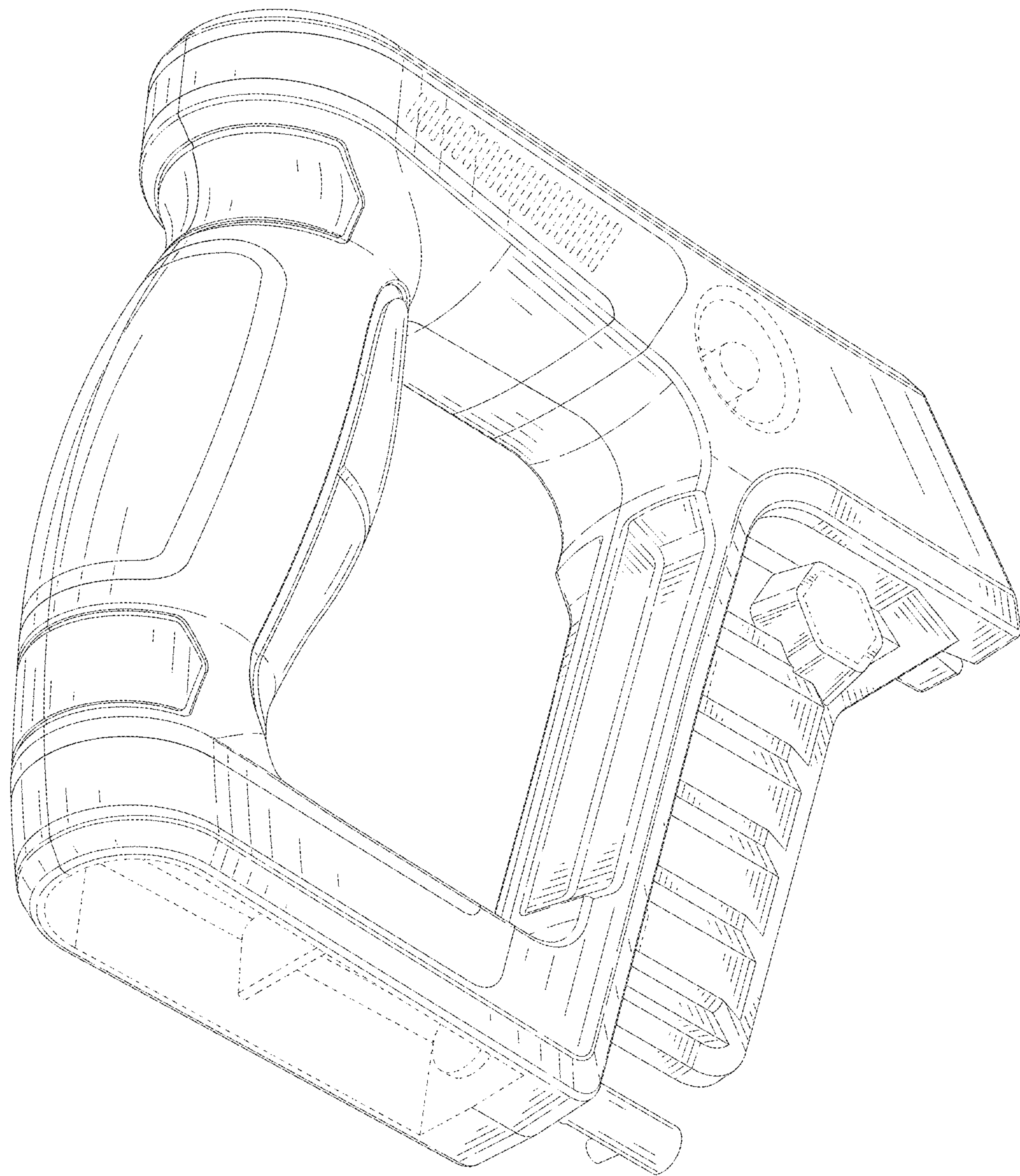


FIG. 2

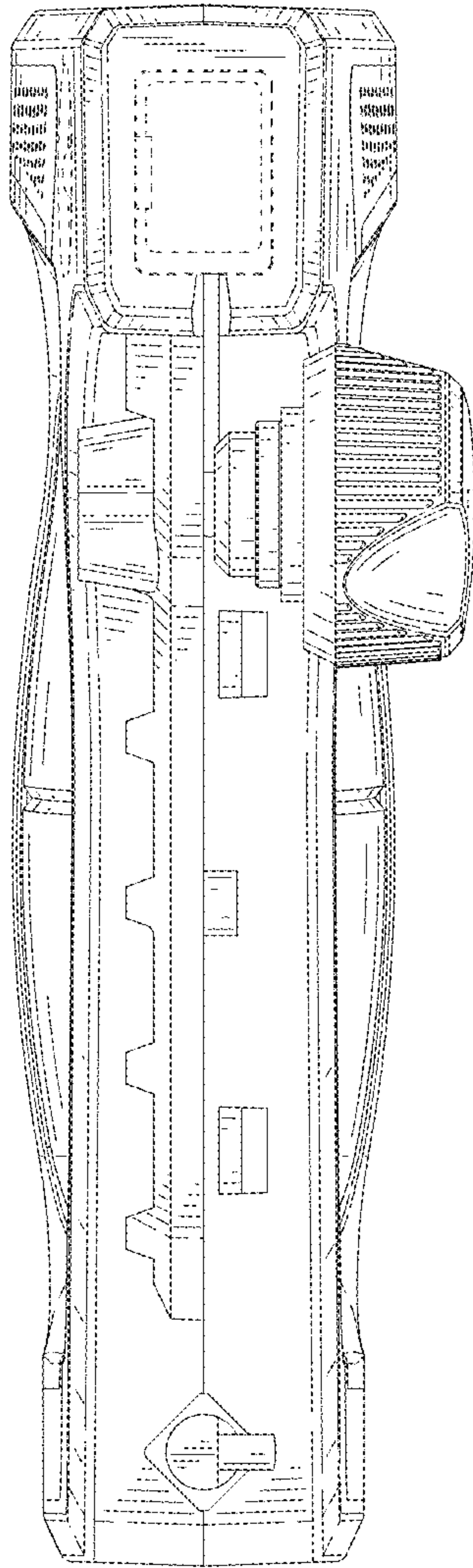


FIG. 3

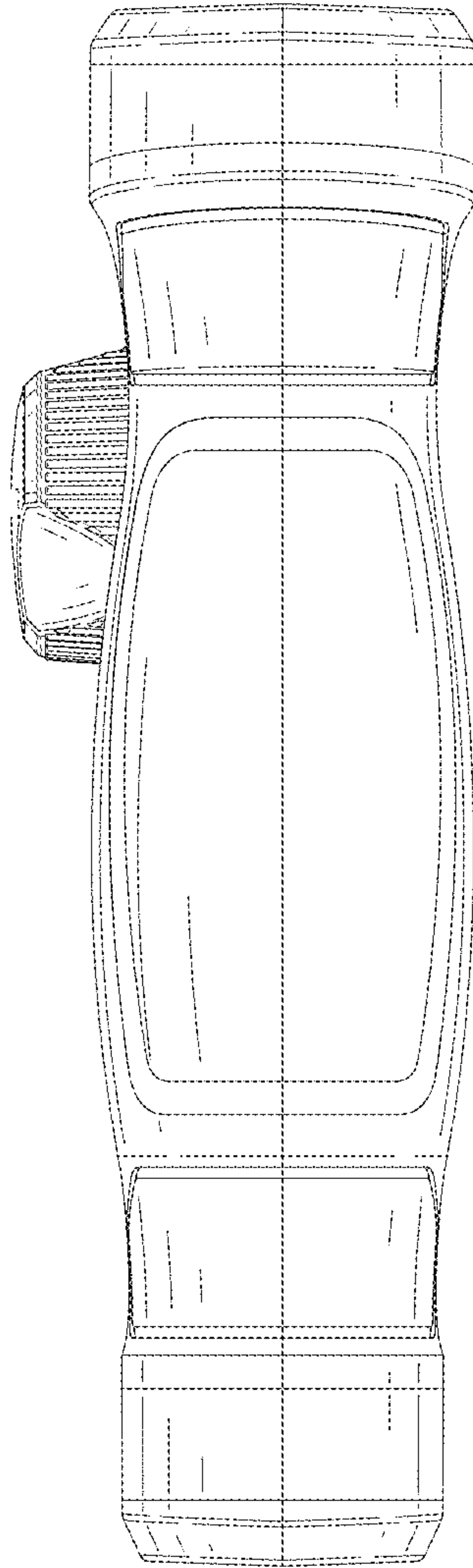


FIG. 4

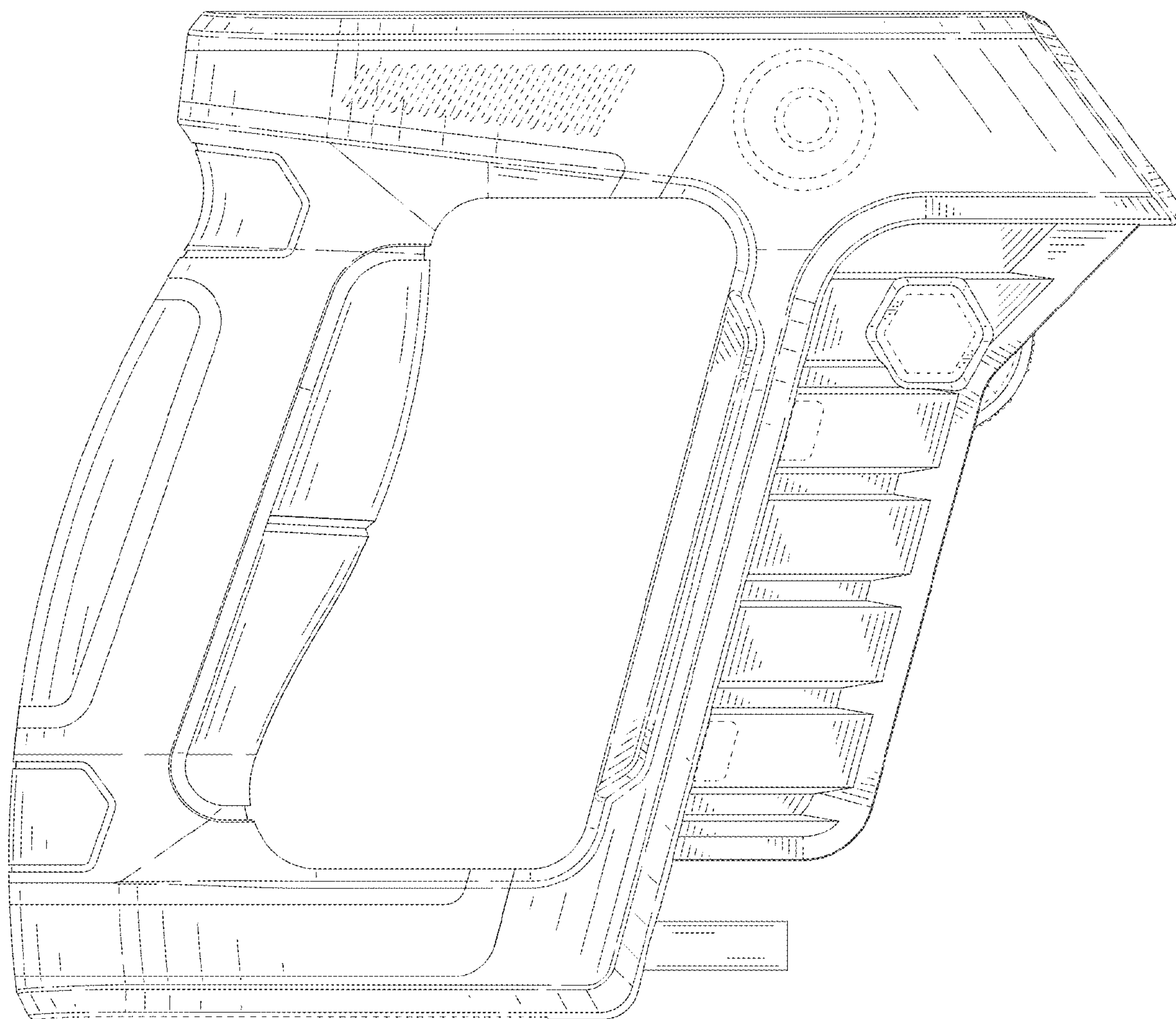


FIG. 5



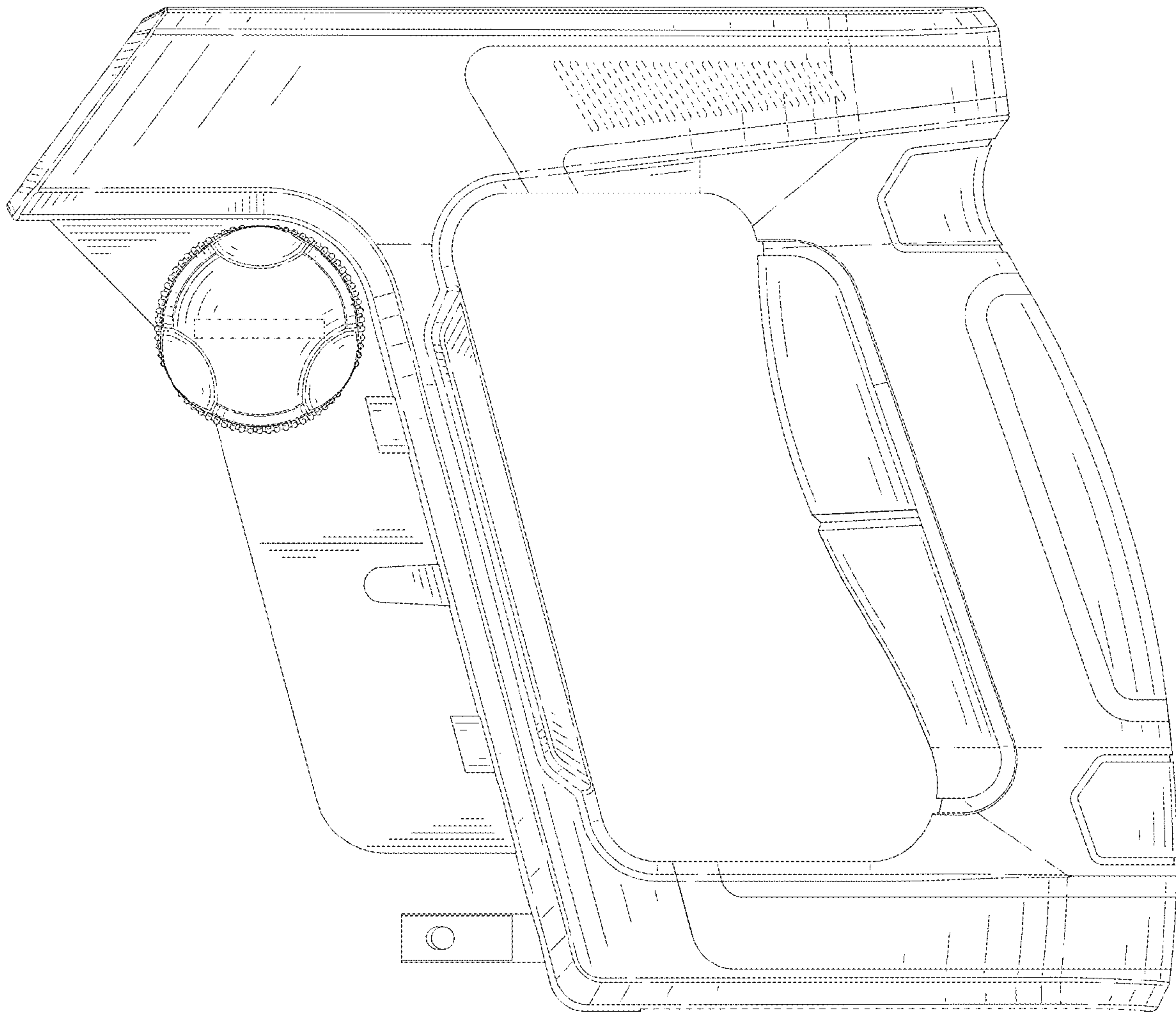


FIG. 6



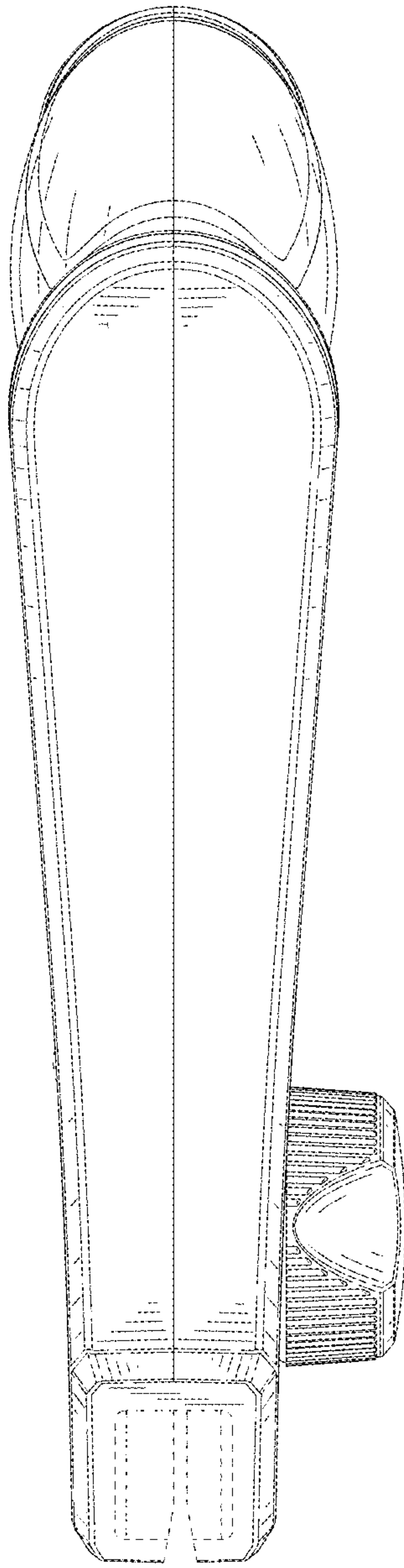


FIG. 7

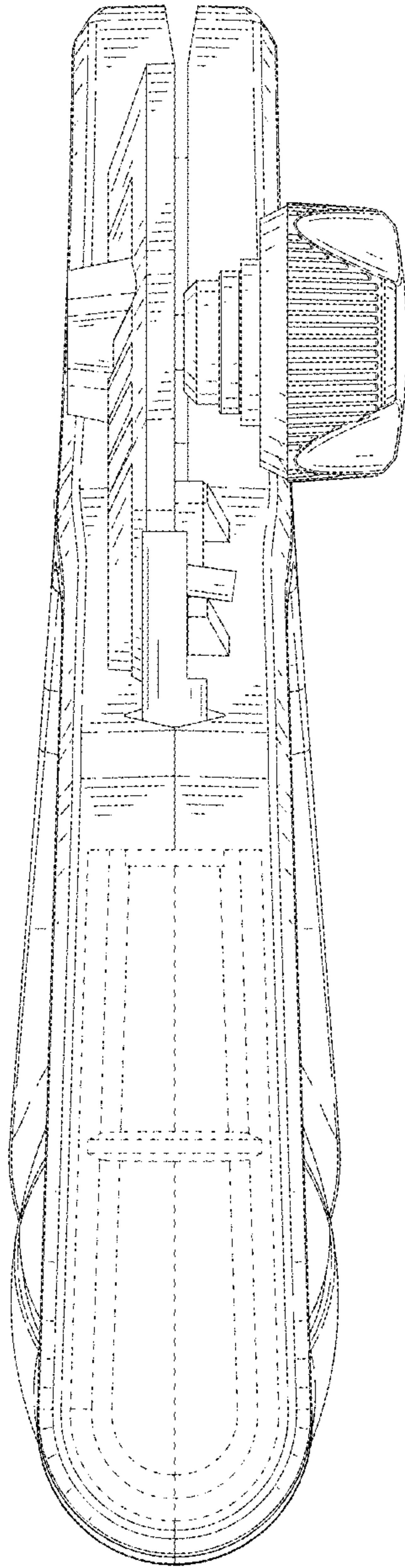


FIG. 8

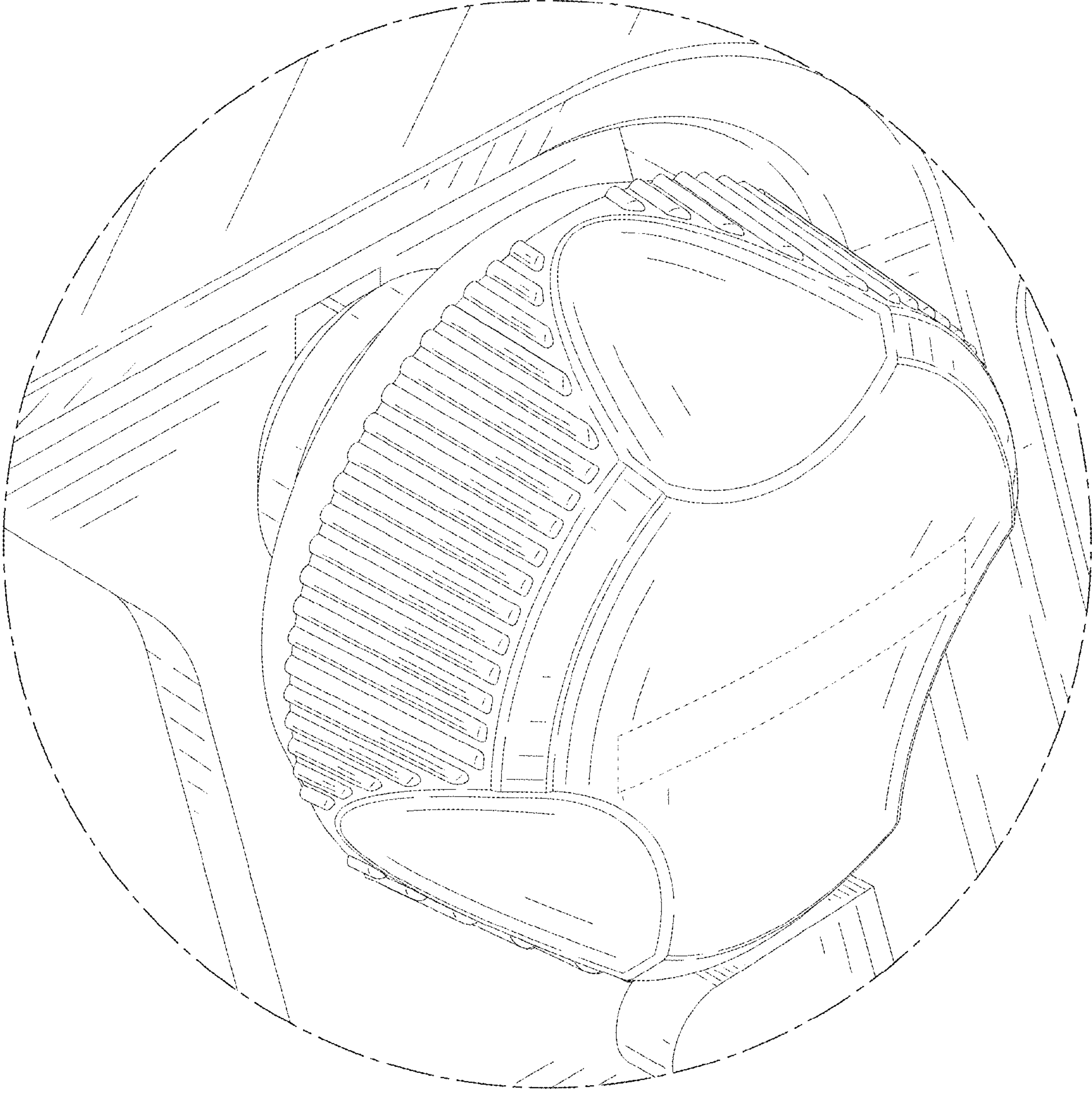


FIG. 9

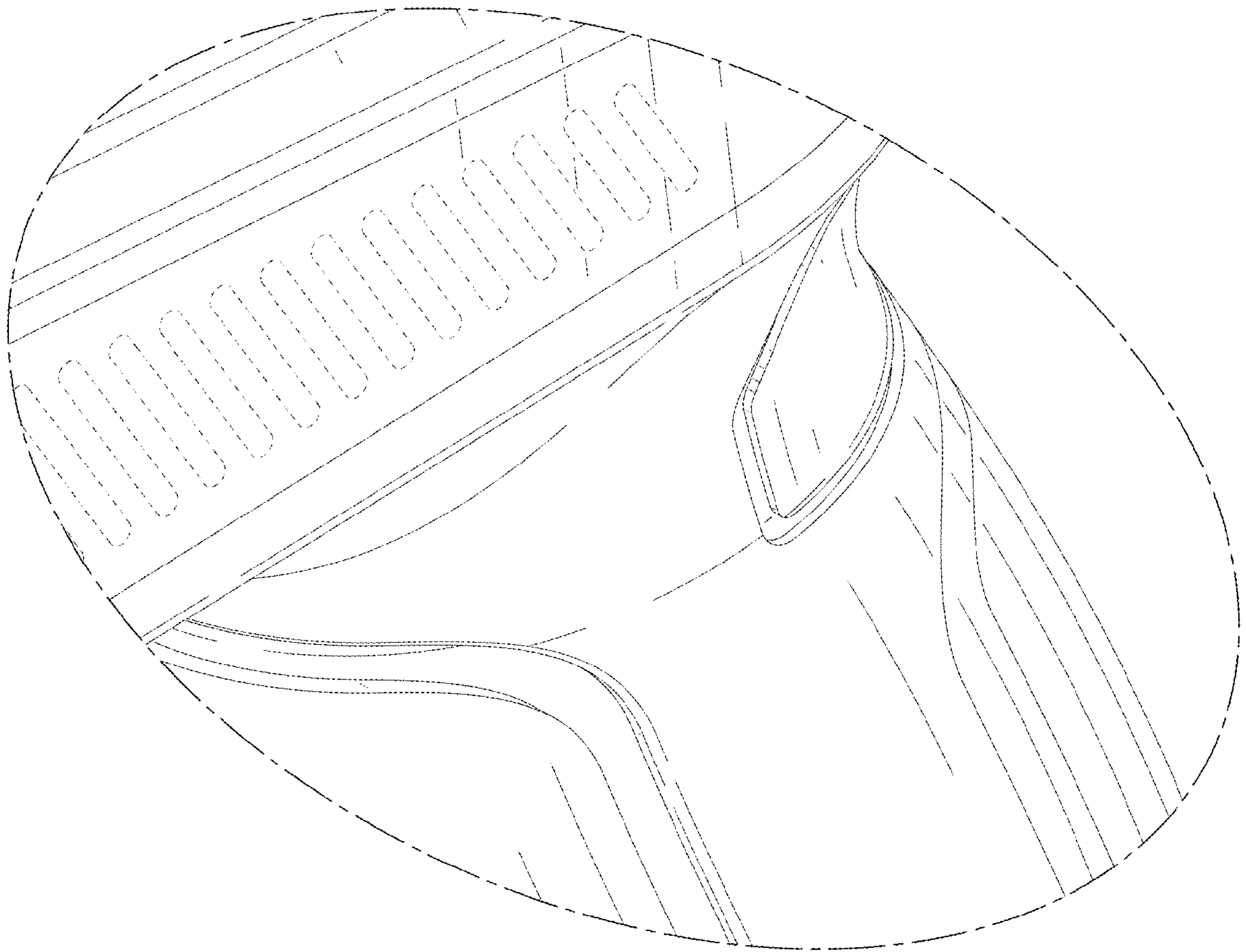


FIG. 10



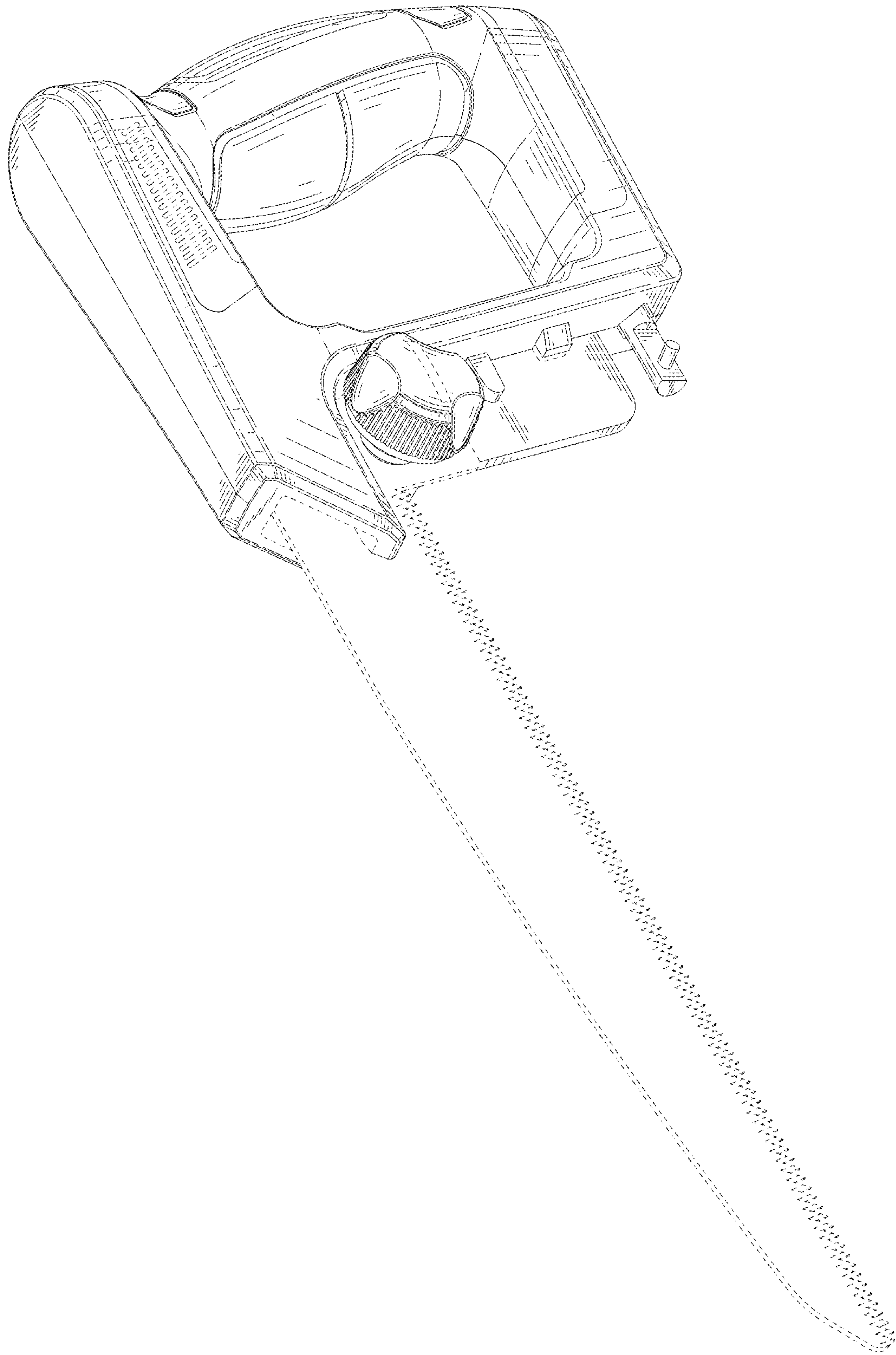


FIG. 11

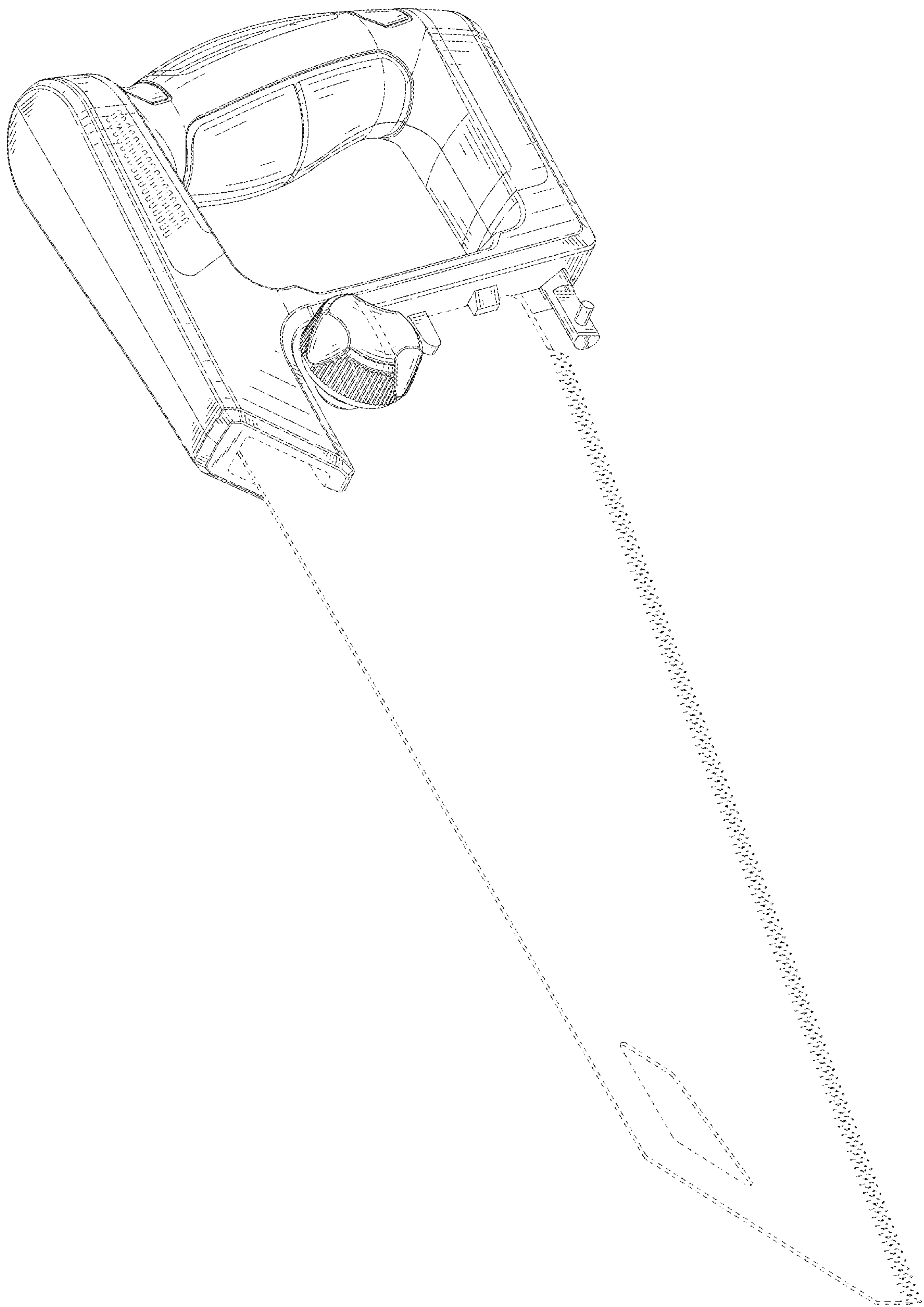


FIG. 12

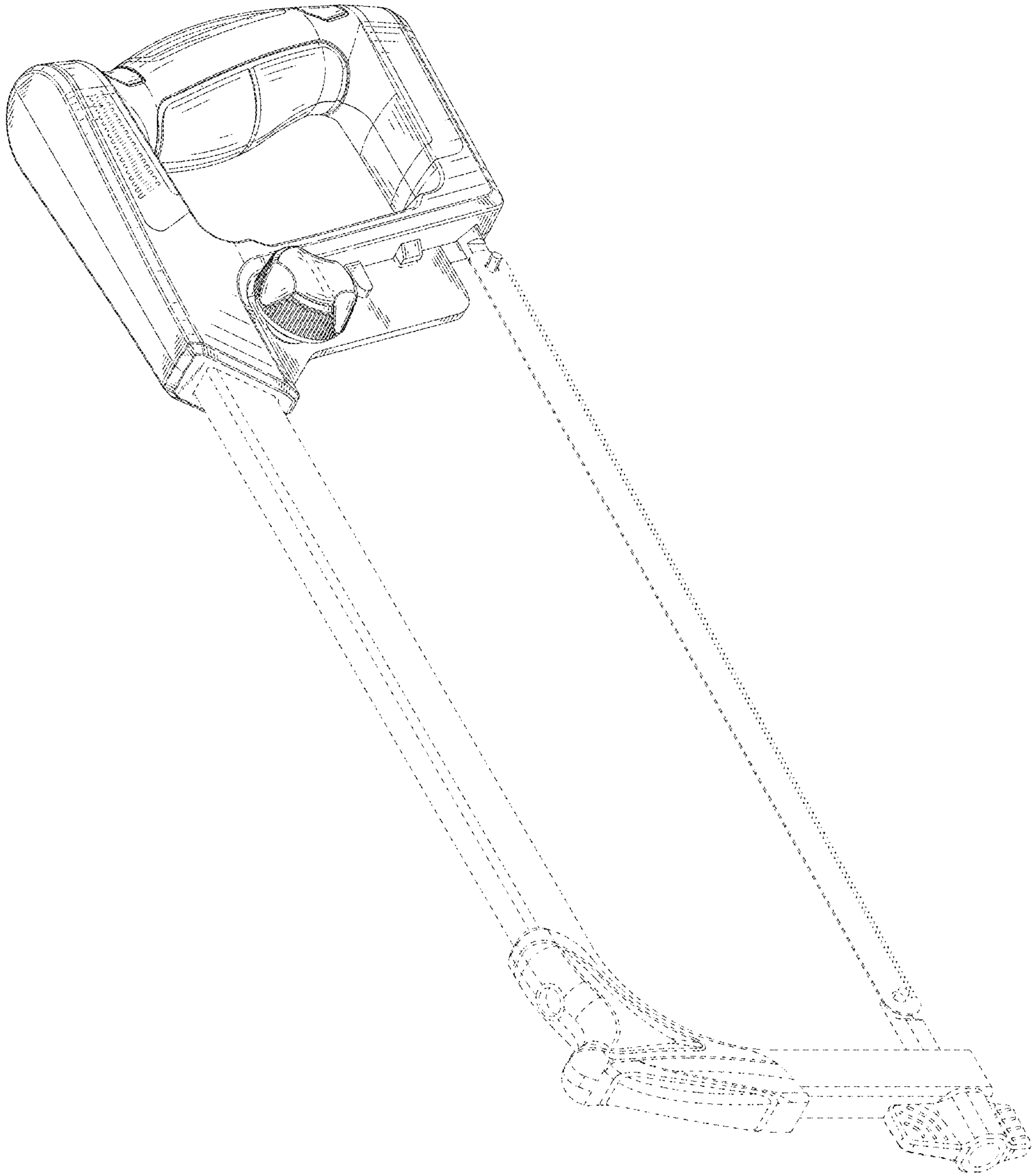


FIG. 13